

PARTS MANUAL



WHISPERWATT™ SERIES

MODELS

DCA400SSI4F

DCA400SSI4F3

DCA400SSI4F3PB

(ISUZU BQ-6WG1X DIESEL ENGINE)

PARTS LIST NO. C3871302004A, C3871302404C AND C3871302604

Revision #1 (09/11/20)



THIS MANUAL MUST ACCOMPANY THE EQUIPMENT AT ALL TIMES.

DCA400SSI4F/4F3/4F3PB 60Hz GENERATOR

Table Of Contents.....	2
Explanation Of Code In Remarks Column.....	4
Suggested Spare Parts	5

Component Drawings

Generator Assembly	6–9
Control Box Assembly	10–13
Control Box Back Panel Assembly	14–15
Control Panel Assembly (DCA400SSI4F/4F3) ..	16–17
Control Panel Assembly (DCA400SSI4F3PB) ..	18–19
Engine And Radiator Assembly.....	20–25
Engine Operating Panel Assembly.....	26–27
Output Terminal Assembly (DCA400SSI4F)	28–29
Output Terminal Assembly (DCA400SSI4F3/F3PB) .	30–31
Battery Assy.....	32–33
DOC And SCR Assembly	34–35
Exhaust Pipe Assembly.....	36–37
DEF Tank Assembly	38–41
Fuel Tank Assembly.....	42–43
Enclosure Assembly	44–47
Enclosure Rear Assembly	48–49
Enclosure Side Assembly.....	50–53
Rubber Seals Assembly	54–55
Battery Charger Assembly (Option).....	56–57
Jacket Water Heater Assembly (Option).....	58–59
Power Balance Assembly (Option)	60–63
Nameplate And Decals Assembly (DCA400SSI4F) ..	64–67
Nameplate And Decals Assembly (DCA400SSI4F3)	68–71
Nameplate And Decals Assy. (DCA400SSI4F3PB) ..	72–75

NOTICE

Specifications and part numbers are subject to change without notice.

EXPLANATION OF CODE IN REMARKS COLUMN

The following section explains the different symbols and remarks used in the Parts section of this manual. Use the help numbers found on the back page of the manual if there are any questions.

NOTICE

The contents and part numbers listed in the parts section are subject to change **without notice**. Multiquip does not guarantee the availability of the parts listed.

SAMPLE PARTS LIST

NO.	PART NO.	PART NAME	QTY.	REMARKS
1	12345	BOLT	1	INCLUDES ITEMS W/%
2%		WASHER, 1/4 IN.		NOT SOLD SEPARATELY
2%	12347	WASHER, 3/8 IN. ...	1	MQ-45T ONLY
3	12348	HOSE	A/R	MAKE LOCALLY
4	12349	BEARING	1	S/N 2345B AND ABOVE

NO. Column

Unique Symbols — All items with same unique symbol (@, #, +, %, or >) in the number column belong to the same assembly or kit, which is indicated by a note in the “Remarks” column.

Duplicate Item Numbers — Duplicate numbers indicate multiple part numbers, which are in effect for the same general item, such as different size saw blade guards in use or a part that has been updated on newer versions of the same machine.

NOTICE

When ordering a part that has more than one item number listed, check the remarks column for help in determining the proper part to order.

PART NO. Column

Numbers Used — Part numbers can be indicated by a number, a blank entry, or TBD.

TBD (To Be Determined) is generally used to show a part that has not been assigned a formal part number at the time of publication.

A blank entry generally indicates that the item is not sold separately or is not sold by Multiquip. Other entries will be clarified in the “Remarks” Column.

QTY. Column

Numbers Used — Item quantity can be indicated by a number, a blank entry, or A/R.

A/R (As Required) is generally used for hoses or other parts that are sold in bulk and cut to length.

A blank entry generally indicates that the item is not sold separately. Other entries will be clarified in the “Remarks” Column.

REMARKS Column

Some of the most common notes found in the “Remarks” Column are listed below. Other additional notes needed to describe the item can also be shown.

Assembly/Kit — All items on the parts list with the same unique symbol will be included when this item is purchased.

Indicated by:

“INCLUDES ITEMS W/(unique symbol)”

Serial Number Break — Used to list an effective serial number range where a particular part is used.

Indicated by:

“S/N XXXXX AND BELOW”

“S/N XXXX AND ABOVE”

“S/N XXXX TO S/N XXX”

Specific Model Number Use — Indicates that the part is used only with the specific model number or model number variant listed. It can also be used to show a part is NOT used on a specific model or model number variant.

Indicated by:

“XXXXX ONLY”

“NOT USED ON XXXX”

“Make/Obtain Locally” — Indicates that the part can be purchased at any hardware shop or made out of available items. Examples include battery cables, shims, and certain washers and nuts.

“Not Sold Separately” — Indicates that an item cannot be purchased as a separate item and is either part of an assembly/kit that can be purchased, or is not available for sale through Multiquip.

SUGGESTED SPARE PARTS

DCA400SSI4F/4F3/4F3PB WHISPERWATT GENERATOR WITH ISUZU BQ-6WG1X DIESEL ENGINE

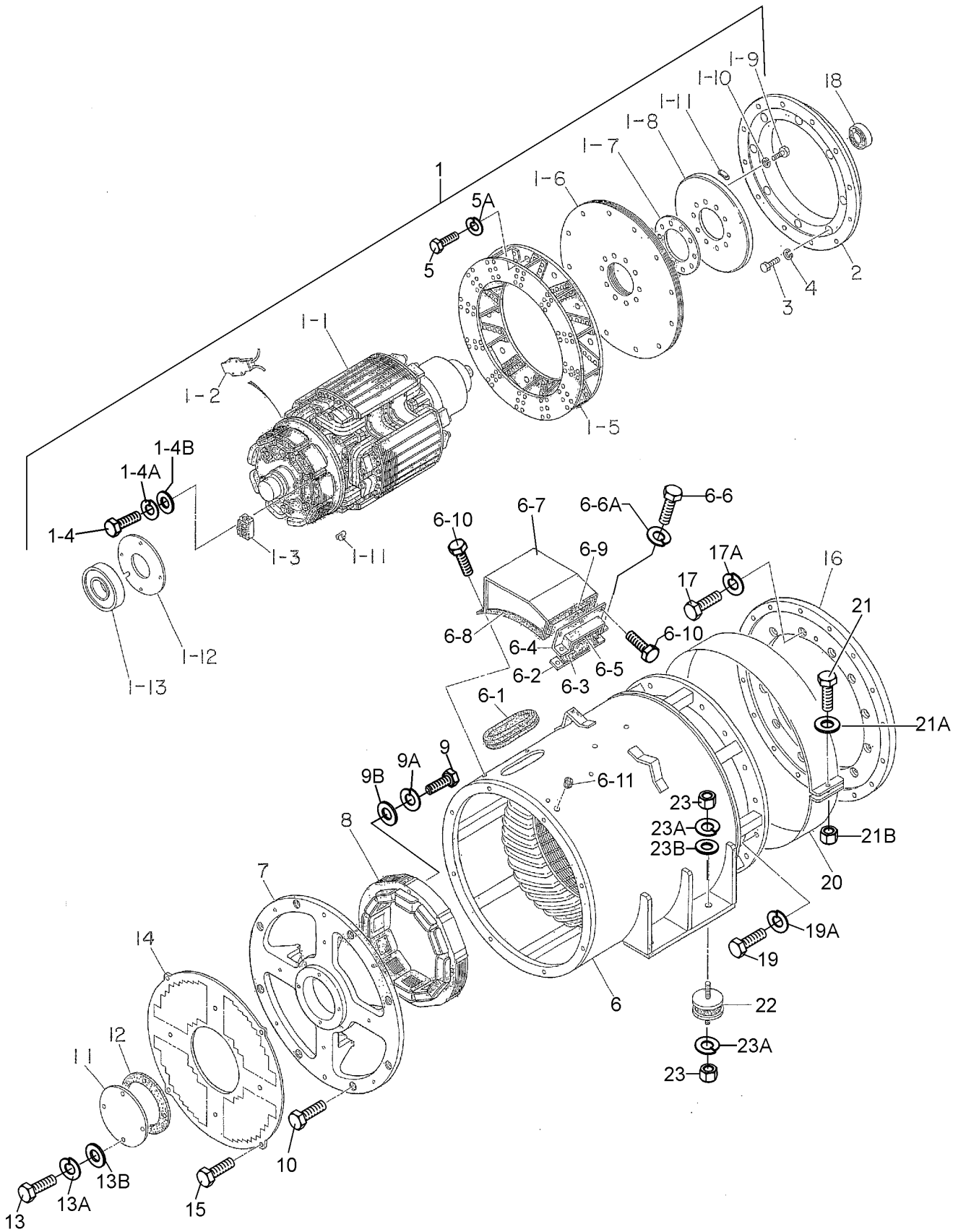
1 TO 3 UNITS

Qty.	P/N	Description
3	1132402330	CARTRIDGE, MAIN OIL FILTER
5	1132402410	CARTRIDGE, BYPASS OIL FILTER
5	8983129180	ELEMENT, MAIN FUEL FILTER
5	8980742881	ELEMENT, PRE FUEL FILTER
3	P777868	ELEMENT, AIR CLEANER OUTER
3	0602046653-1	ELEMENT, AIR CLEANER INNER
1	1136715030	BELT, FAN
1	C3311500303	RADIATOR HOSE, UPPER
1	C3311500403	RADIATOR HOSE, LOWER
1	C3311500604	INTER COOLER HOSE, UPPER LS
1	C3311500704	INTER COOLER HOSE, UPPER RS
1	C3311500504	INTER COOLER HOSE, LOWER LS
1	C3311500804	INTER COOLER HOSE, LOWER RS
1	0601808803	CIRCUIT BREAKER, 1P, 20 AMP
1	0601808804	CIRCUIT BREAKER, 2P, 50 AMP
1	0601802131	FUSE, 1 AMP
1	0601806683	FUSE, 8 AMP
1	0601802149	FUSE, 10 AMP
1	0601806671	FUSE, 15 AMP
3	Y0601806646	FUSE, 20AMP
3	0601806644	FUSE, 30AMP
1	0601820601	AUTOMATIC VOLTAGE REGULATOR
1	Y0601810877	BULB, ALARM LAMP
1	LY2DUS24VDC	RELAY, 24 VDC

NOTICE

Part numbers on this Suggested Spare Parts list may supersede/replace the P/N shown in the next pages of this book.

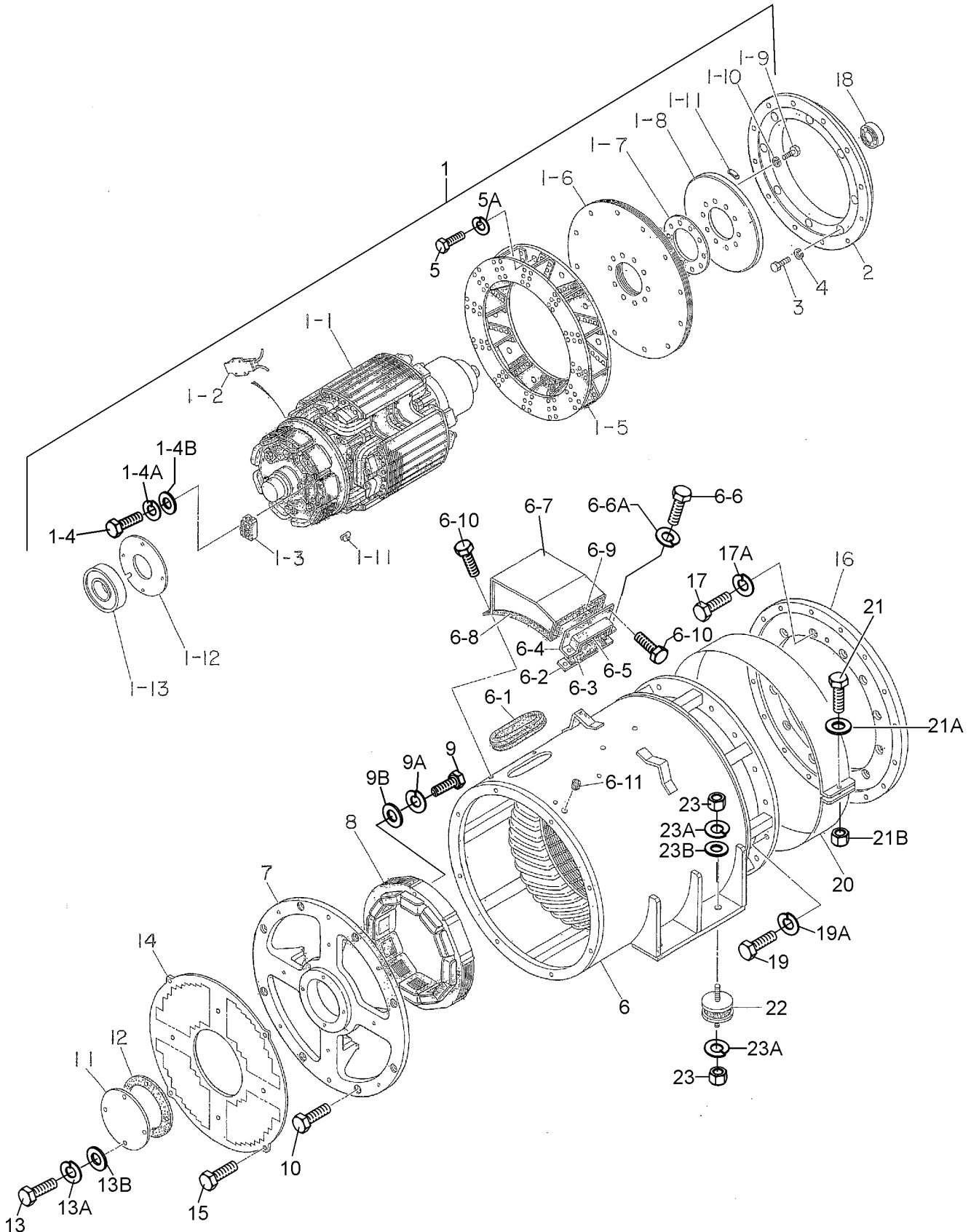
GENERATOR ASSY.



GENERATOR ASSY.

<u>NO.</u>	<u>PART NO.</u>	<u>PART NAME</u>	<u>QTY.</u>	<u>REMARKS</u>
1	C3110000502	ROTOR ASSY. (DCA400SSI4F).....	1.....	INCLUDE ITEMS W/#
1	C3110101302	ROTOR ASSY. (DCA400SSI4F3/F3PB).....	1.....	INCLUDE ITEMS W/\$
1-1#\$		FIELD ASSY.	1	
1-2#\$	0601842401	RESISTOR, 80W 300K OHM	2	
1-3#\$	0601823282	RECTIFIER	1	
1-4#\$	0018205020	HEX. SOCKET HEAD CAP SCREW	2	
1-4A#\$	0032005000	WASHER, LOCK.....	2.....	REPLACES P/N 0040005000
1-4B#\$	0401450050	WASHER, FLAT	2.....	REPLACES P/N 0041205000
1-5#\$	8201070002	FAN	1	
1-6#\$	8201611004	COUPLING DISK	12	
1-7#\$	C3164200004	WASHER, COUPLING HUB	1	
1-8#\$	8201015003	BALANCING PLATE.....	1.....	ITEM 1-11 MUST BE ORDERED WHEN REPLACING ITEM 1-8
1-9#\$	0012116045	HEX. HEAD BOLT	10	
1-10#\$	0042616000	WASHER, LOCK	10	
1-11#\$	0601000209	BALANCING WEIGHT KIT	1	
1-12#\$	C3112500004	BEARING FLANGE	1	
1-13#\$	0071906315	BEARING	1	
2#	C3164400103	COUPLING RING	1	
2\$	C3164400403	COUPLING RING	1	
3#\$	55553	HEX. HEAD BOLT	8.....	REPLACES P/N 0010312050
4#\$	0042512000	WASHER, LOCK	8	
5#\$	012112040	HEX. HEAD BOLT	12.....	REPLACES P/N 0010312040
5A#\$	0042512000	WASHER, LOCK	12	
6#	C3130100003	STATOR ASSY.	1	
6\$	C3130101103	STATOR ASSY.	1	
6-1	0226200495	RUBBER SEAL	1	
6-2	8211323004	CLAMPER	1	
6-3	0223300172	RUBBER SEAL	1	
6-4	8211323103	CLAMPER	1	
6-5	0221200440	RUBBER SEAL	1	
6-6	0010110035	HEX. HEAD BOLT	2	
6-6A	031110160	WASHER, FLAT	2.....	REPLACES P/N 0041210000
6-7	C3132200003	COVER	1	
6-8	0226000290	RUBBER SEAL	2	
6-9	0225000590	RUBBER SEAL	1	
6-10	011206020	HEX. HEAD BOLT	6.....	REPLACES P/N 0017106020
6-11	0601850144	GROMMET	1	
7	C3154000002	END BRACKET	1	
8	C3138000003	FIELD ASSY., EXCITER	1	
9	0012110080	HEX. HEAD BOLT	4	
9A	0042610000	WASHER, LOCK	4	
9B	031110160	WASHER, FLAT	4.....	REPLACES P/N 0041210000
10	0017112045	HEX. HEAD BOLT	8	

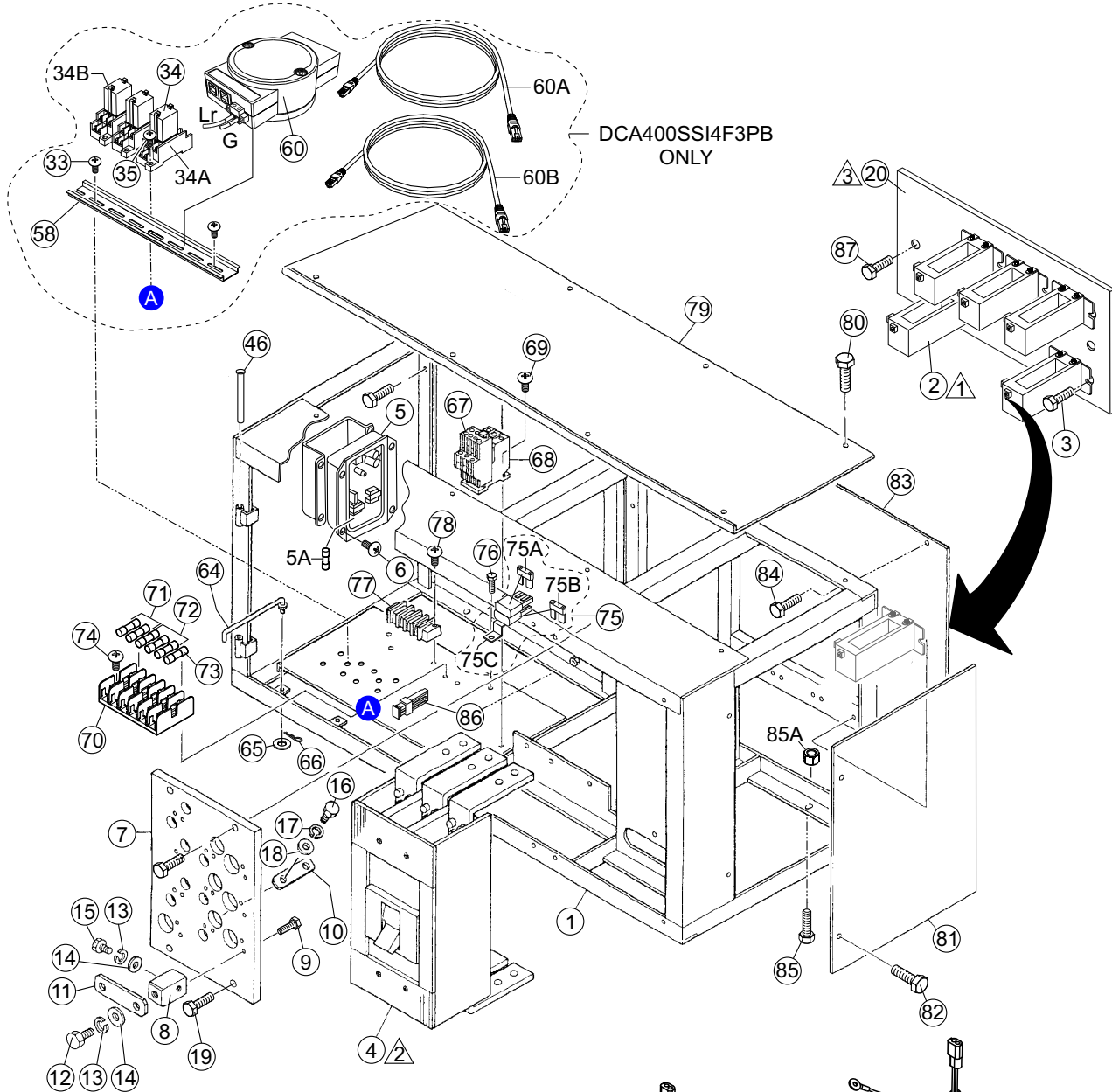
GENERATOR ASSY. (CONT'D.)



GENERATOR ASSY. (CONT'D.)

<u>NO.</u>	<u>PART NO.</u>	<u>PART NAME</u>	<u>QTY.</u>	<u>REMARKS</u>
11	C3154300104	COVER, BEARING	1	
12	C3154300004	GASKET, BEARING	1	
13	0010106060	HEX. HEAD BOLT	4	
13A	0040006000	WASHER, LOCK	4	
13B	952404470	WASHER, FLAT	4.....	REPLACES P/N 0041206000
14	C3154400003	SUCTION COVER	1	
15	011106015	HEX. HEAD BOLT	8.....	REPLACES P/N 0017106015
16	C3163600003	COUPLING ADAPTER	1	
17	0131151240	HEX. HEAD BOLT	12.....	REPLACES P/N 0010312030
17A	0042512000	WASHER, LOCK	12	
18	0070506206	BEARING	1	
19	012112040	HEX. HEAD BOLT	16.....	REPLACES P/N 0010312040
19A	Y004252000	WASHER, LOCK	16	
20	C3132300014	COVER, FAN	1	
21	0010006030	HEX. HEAD BOLT	1.....	REPLACES P/N 0010106030
21A	952404470	WASHER, FLAT	1.....	REPLACES P/N 0041206000
21B	020106050	NUT.....	1.....	REPLACES P/N 0600815000
22	0605000061	RUBBER SUSPENSION	4	
23	0030016000	HEX. NUT	8	
23A	0040016000	WASHER, LOCK	8	
23B	0041616000	WASHER, FLAT	4	

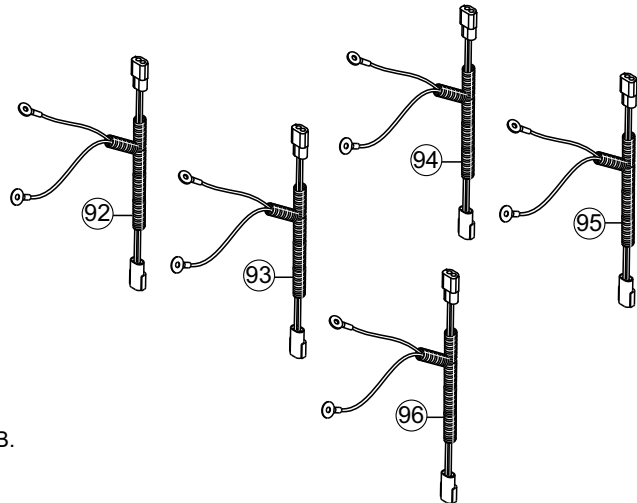
CONTROL BOX ASSY.



DCA400SSI4F3PB
ONLY

NOTE:

- 1 5 CURRENT TRANSFORMERS AS SHOWN ARE FOR THE DCA400SSI4F3. THREE FOR THE DCA400SSI4F AND FOUR FOR THE DCA400SSI4F3PB.
- 2 CIRCUIT BREAKER AS SHOWN IS FOR THE DCA400SSI4F AND DCA400SSI4F3. THE DCA400SSI4F3PB HAS NO TOGGLE LEVER.
- 3 CURRENT TRANSFORMER SUPPORT BRACKET ONLY USED ON DCA400SSI4F3 AND DCA400SSI4F3PB.



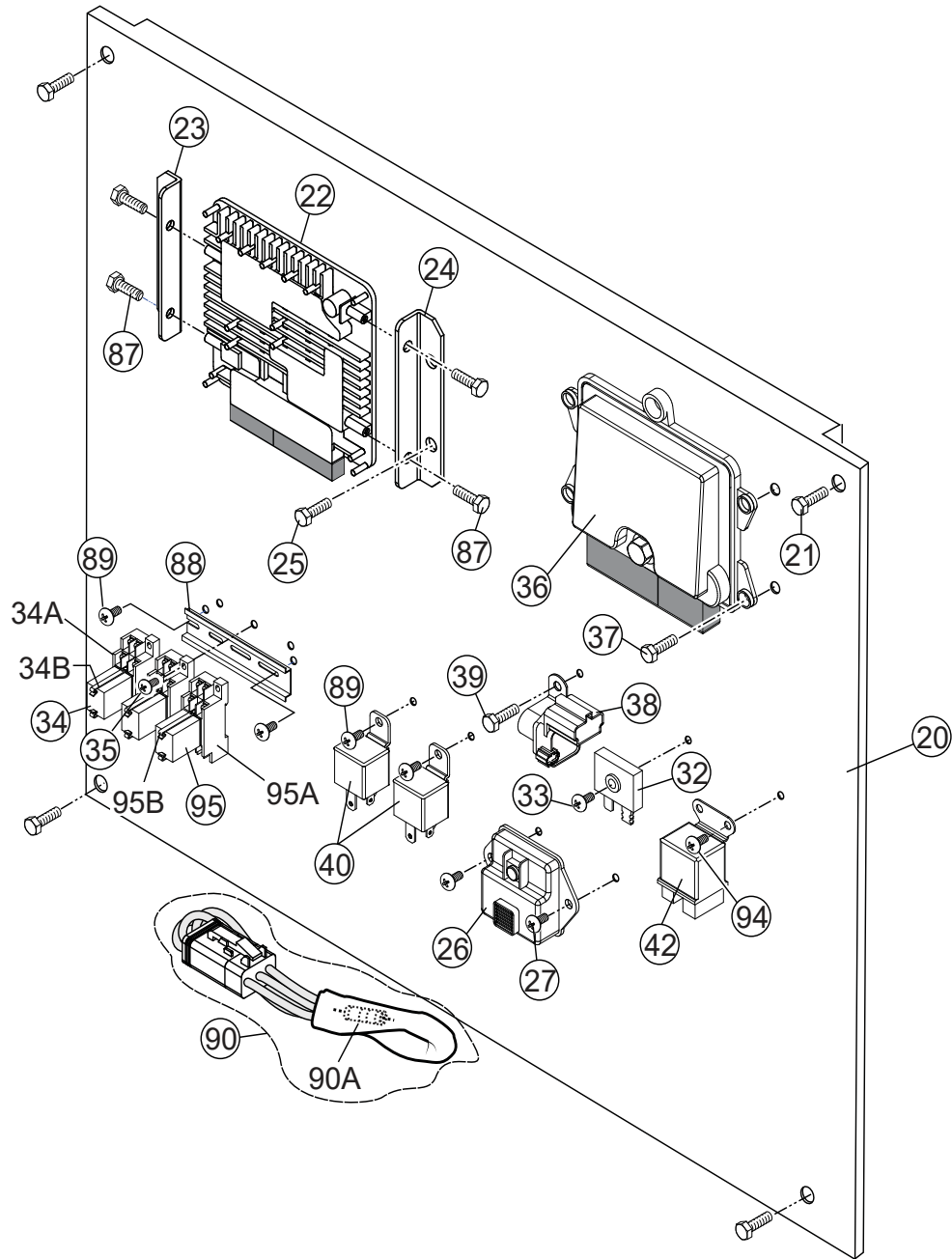
CONTROL BOX ASSY.

<u>NO.</u>	<u>PART NO.</u>	<u>PART NAME</u>	<u>QTY.</u>	<u>REMARKS</u>
1	C3214005702	CONTROL BOX, DCA400SSI4F	1	
1	C3214007302	CONTROL BOX, DCA400SSI4F3	1	
1	C3214007704	CONTROL BOX, DCA400SSI4F3PB	1	
2	0601801170	CURRENT TRANSFORMER, 750/5A	3.....	DCA400SSI4F
2	0601801170	CURRENT TRANSFORMER, 750/5A	5.....	DCA400SSI4F3
2	0601806166	CURRENT TRANSFORMER, 1500/5A	3.....	DCA400SSI4F3PB
2	0601809681	CURRENT TRANSFORMER, 1000/5A	1.....	DCA400SSI4F3PB
3	011808015	BOLT 8X15, DCA400SSI4F/F3PB.....	6.....	REPLACES P/N 0027106015
3	011808015	BOLT 8X15, DCA400SSI4F3.....	10.....	REPLACES P/N 0027106015
4	0601807525	CB, 1000A, DCA400SSI4F/F3	1	
4	0601807531	CB, 1000A, DCA400SSI4F3PB	1	
5	0601820601	AUTOMATIC VOLTAGE REGULATOR	1	
5A	0601806683	FUSE, 250V 8A	1	
6	0027105015	MACHINE SCREW	4	
7	C3274000003	CHANGE-OVER BOARD, VOLTAGE	1	
8	8221852104	CHANGE TERMINAL	10	
9	011208030	HEX. HEAD BOLT.....	20.....	REPLACES P/N 0017108030
10	C2277200004	TERMINAL PLATE	3	
11	8221853104	CHANGE PLATE	6	
12	0801830804	HEX. HEAD BOLT	10	
13	0040016000	WASHER, LOCK	10	
14	0401450160	WASHER, FLAT	10.....	REPLACES P/N 0041416000
15	0801830704	HEX. HEAD BOLT	13	
16	8201852504	HEX. HEAD BOLT	3	
17	0040012000	WASHER, LOCK	16	
18	0041412000	WASHER, FLAT	16	
19	012010030	HEX. HEAD BOLT.....	4.....	REPLACES P/N 0017110030
20	C3261507103	BRACKET, CURRENT TRANSFORMER	1	
33	0027104010	MACHINE SCREW (DCA400SSI4F3PB)	2	
34	LY2DUS24VDC	RELAY, 24V (DCA400SSI4F3PB).....	3.....	REPLACES P/N 0601827655
34A	PTF08A	RELAY SOCKET, BASE (DCA400SSI4F3PB).....	3.....	REPLACES P/N 0601823109
34B	PYCA1	RELAY HOLDER, CLIP (DCA400SSI4F3PB).....	3.....	REPLACES P/N 0601824400
35	0027104020	MACHINE SCREW (DCA400SSI4F3PB)	6	
46	0605011211	PIN	2	
58	Y0290000200	RAIL.....	1.....	DCA400SSI4F3PB
60	0601816302	ETHERNET SWITCH	1.....	DCA400SSI4F3PB
60A	Y0601813045	ETHERNET CABLE (9 FT./3M)	2.....	DCA400SSI4F3PB
60B	Y0601813046	ETHERNET CABLE (3 FT./1M)	1.....	DCA400SSI4F3PB
64	3871824004	STOPPER, CONTROL PANEL	1	
65	952404470	WASHER, FLAT	1.....	REPLACES P/N 0041206000
66	505015300	SNAP PIN	1.....	REPLACES P/N 0605010502
67	0601820847	OVER CURRENT RELAY	1	
68	0601820848	BRACKET, OVER CURRENT RELAY, 25A	1	
69	0027104015	MACHINE SCREW	2	

CONTROL BOX ASSY. (CONT'D.)

<u>NO.</u>	<u>PART NO.</u>	<u>PART NAME</u>	<u>QTY.</u>	<u>REMARKS</u>
70	Y0601802214	HOLDER, FUSE	1	
71	0601802131	FUSE, 1A	2	
72	0601806671	FUSE, 15A	3	
73	0601802149	FUSE, 10A	1	
74	0027103020	MACHINE SCREW	2	
75	C3358201704	FUSE HOLDER ASSY.	2	INCLUDE ITEMS W/#
75A#	0601806644	FUSE, 30A	1	
75B#	Y0601806646	FUSE, 20A	1	
75C#	0601802410	BRACKET, FUSE HOLDER	1	
76	011106015	HEX. HEAD BOLT	1	REPLACES P/N 0017106015
77	0601815153	TERMINAL BLOCK	1	
78	0027104020	MACHINE SCREW	2	
79	8221814804	COVER, CONTROL BOX	1	
80	011008020	HEX. HEAD BOLT	8	REPLACES P/N 0017108020
81	8224117004	SIDE PANEL, CONTROL BOX	1	
82	011008020	HEX. HEAD BOLT	4	REPLACES P/N 0017108020
83	C3214401104	PANEL, CONTROL BOX	1	
84	011008020	HEX. HEAD BOLT	8	REPLACES P/N 0017108020
85	Y0017110035	HEX. HEAD BOLT	2	
85A	Y0207010000	HEX. NUT	2	
86	0601806640	FUSE, 65A	1	
87	0016906015	HEX. HEAD BOLT	2	
92	C3247705000	WIRE HARNESS, GENERATOR	1	DCA400SSI4F
93	C3358208900	WIRE HARNESS, CONTROLLER.....	1	DCA400SSI4F
94	C3247708600	WIRE HARNESS, GENERATOR	1	DCA400SSI4F3
95	C3247706410	WIRE HARNESS, GENERATOR.....	1	DCA400SSI4F3PB
96	C3358208910	WIRE HARNESS, CONTROLLER.....	1	DCA400SSI4F3/F3PB

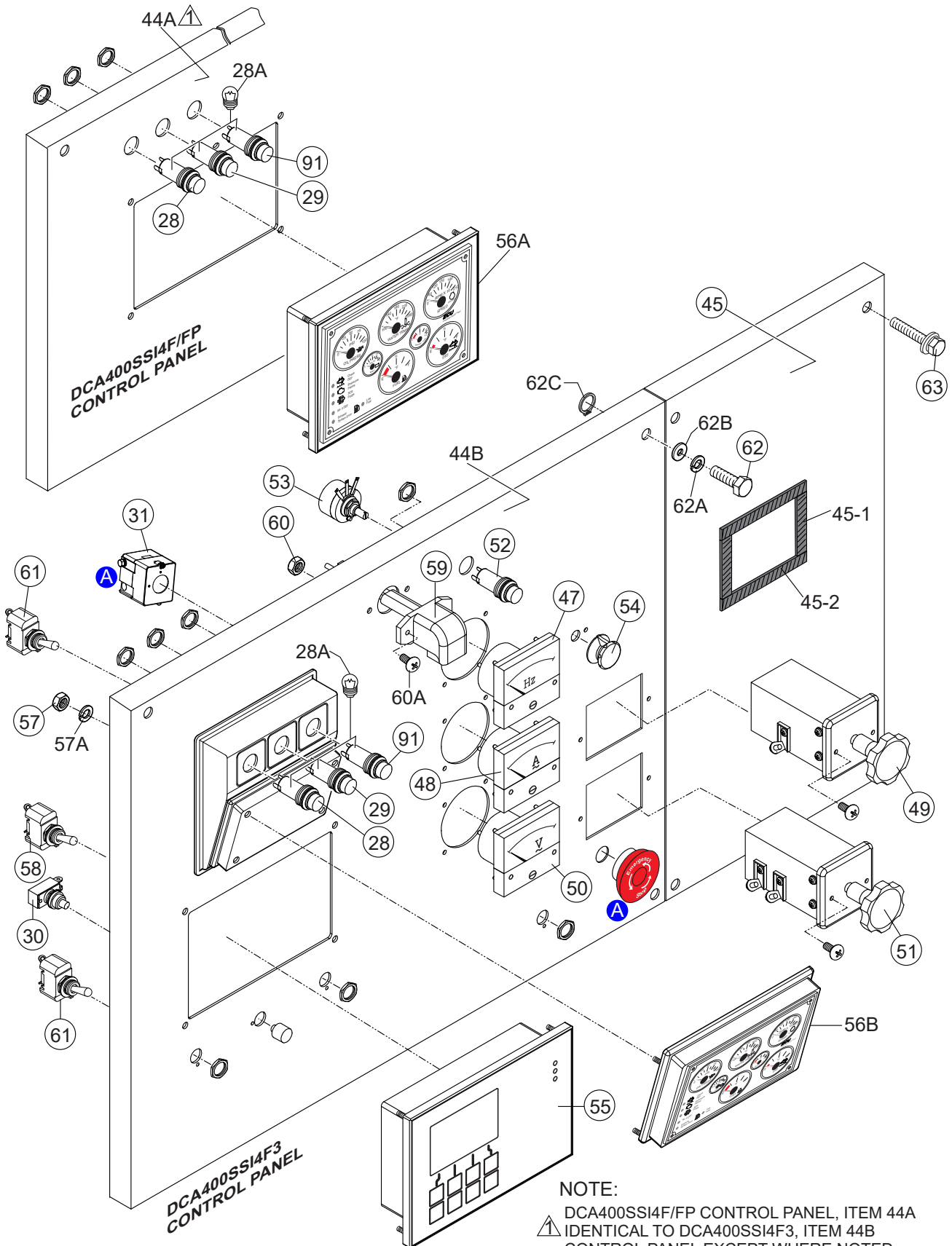
CONTROL BOX BACK PANEL ASSY.



CONTROL BOX BACK PANEL ASSY.

<u>NO.</u>	<u>PART NO.</u>	<u>PART NAME</u>	<u>QTY.</u>	<u>REMARKS</u>
20	C3261505703	PANEL, ELECTRIC PARTS	1	
21	011008020	HEX. HEAD BOLT.....	4.....	REPLACES P/N 0017108020
22	8982848850	CONTROLLER (DCA400SSI4F)	1	REPLACES P/N Y0602203010
22	8983296430	CONTROLLER (DCA400SSI4F3/F3PB)	1	REPLACES P/N Y0602203013
23	C3261505904	BRACKET, CONTROLLER, LEFT-SIDE	1	
24	C3261505804	BRACKET, CONTROLLER, RIGHT-SIDE	1	
25	011008020	HEX. HEAD BOLT.....	4.....	REPLACES P/N 0016908020
26	8981259471	TURBO CONTROLLER.....	1.....	REPLACES P/N Y0602202698
27	011206020	MACHINE SCREW.....	2.....	REPLACES P/N 0027106020
32	0601821370	RECTIFIER.....	1.....	REPLACES P/N 0601823240
33	0027104020	MACHINE SCREW	1	
34	LY2DUS24VDC	RELAY, 24V, DCA400SSI4F/F3.....	2.....	REPLACES P/N 0601827655
34	LY2DUS24VDC	RELAY, 24V, DCA400SSI4F3PB.....	3.....	REPLACES P/N 0601827655
34A	PTF08A	RELAY SOCKET, BASE, DCA400SSI4F/F3.....	2.....	REPLACES P/N 0601823109
34A	PTF08A	RELAY SOCKET, BASE, DCA400SSI4F3PB.....	3.....	REPLACES P/N 0601823109
34B	PYCA1	RELAY HOLDER, CLIP, DCA400SSI4F/F3.....	2.....	REPLACES P/N 0601824400
34B	PYCA1	RELAY HOLDER, CLIP, DCA400SSI4F3PB.....	3.....	REPLACES P/N 0601824400
35	0027104020	MACHINE SCREW, DCA400SSI4F/F3	4	
35	0027104020	MACHINE SCREW, DCA400SSI4F3PB	6	
36	8982848860	DOSING CONTROL UNIT, DCA400SSI4F.....	1.....	REPLACES P/N Y0602203020
36	8983296050	DOSING CTRL. UNIT, DCA400SSI4F3/F3PB.....	1.....	REPLACES P/N Y0602203023
37	011008020	HEX. HEAD BOLT.....	4.....	REPLACES P/N 0016908020
38	8980056310	RELAY, STARTER.....	1.....	REPLACES P/N Y0602201401
39	011106015	HEX. HEAD BOLT.....	2.....	REPLACES P/N 0016906015
40	8980137900	RELAY.....	2.....	REPLACES P/N 0602202682
42	8944607061	RELAY, GLOW PLUG.....	1.....	REPLACES P/N Y0602202683
87	011008015	HEX. HEAD BOLT.....	4.....	REPLACES P/N 0017108015
88	Y0290000130	RAIL	1	
89	0027104010	MACHINE SCREW	2	
90	C3267600204	RESISTOR ASSY.....	1.....	INCLUDE ITEMS W/#
90A#	Y0601842146	RESISTOR, 1K OHM	1	
94	0016905015	HEX HEAD BOLT	2	
95	0601826065	RELAY, MY2-D DC24V, DCA400SSI4F3.....	1.....	S/N 3954559 AND ABOVE
95A	0601823143	RELAY SOCKET, BASE, DCA400SSI4F3.....	1.....	S/N 3954559 AND ABOVE
95B	0601824400	RELAY HOLDER, CLIP, DCA400SSI4F3.....	1.....	S/N 3954559 AND ABOVE

CONTROL PANEL ASSY. (DCA400SSI4F/4F3)

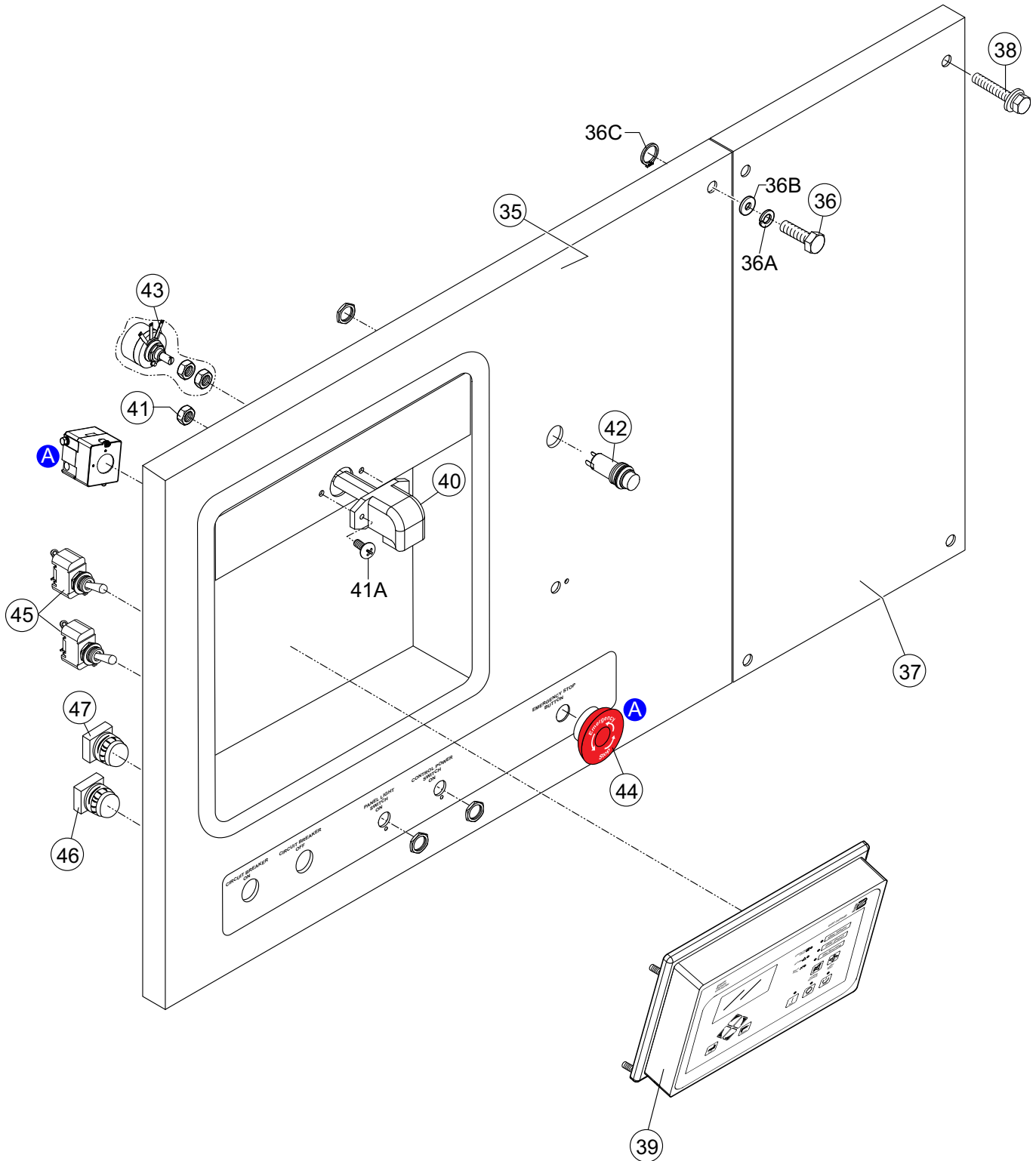


NOTE:
 DCA400SSI4F/FP CONTROL PANEL, ITEM 44A
 IDENTICAL TO DCA400SSI4F3, ITEM 44B
 CONTROL PANEL EXCEPT WHERE NOTED.

CONTROL PANEL ASSY. (DCA400SSI4F/4F3)

<u>NO.</u>	<u>PART NO.</u>	<u>PART NAME</u>	<u>QTY.</u>	<u>REMARKS</u>
28	0602103091	COOLANT LEVEL ALARM LAMP	1.....	REPLACES P/N 0602103090
28A	Y0601810877	BULB, 28V	3	
29	Y0602103089	PRE-ALARM LAMP	1	
30	0601831205	HOUR CHECK BUTTON	1	
31	0601831589	EMERGENCY STOP SWITCH	1	
44A	C3224007603	CONTROL PANEL (L), DCA400SSI4F	1	
44B	C3224010103	CONTROL PANEL (L), DCA400SSI4F3	1	
45	C3224007003	CONTROL PANEL (R), DCA400SSI4F/F3	1	
45-1	Y0221200115	RUBBER SEAL, DCA400SSI4F/F3	2	
45-2	Y0221200240	RUBBER SEAL, DCA400SSI4F/F3	2	
47	0601807622	FREQUENCY METER, 45~65HZ 200V	1	
48	0601806987	AC AMMETER, 0~750A, 0~1500A	1	
49	0601801040	CHANGE-OVER SWITCH, AMMETER	1	
50	0601806887	AC VOLTMETER, 0~600V	1	
51	0601801041	CHANGE-OVER SWITCH, VOLTMETER	1	
52	0601810072	PILOT LAMP, 220V	1	
53	0601840073	RHEOSTAT (VOLT. REG.), 2W 1K OHM	1	
54	0601840100	KNOB.....	1.....	REPLACES P/N 0601840121
55	Y0602202654	ENGINE CONTROLLER, ECU835.....	1.....	DCA400SSI4F
55	Y0602203072	ENGINE CONTROLLER, ECU845.....	1.....	DCA400SSI4F3
56A	Y0602120569	GAUGE UNIT, DCA400SSI4F	1	
56B	Y0602120901	GAUGE UNIT, DCA400SSI4F3	1	
57	Y0206707000	HEX. NUT	8	
57A	Y0044807000	WASHER, LOCK	8	
58	0601830765	SWITCH, AUTO-START	1	
59	0601810171	PANEL LIGHT	1	
60	OEMAA8	HEX. NUT	2.....	REPLACES P/N 0207004000
60A	0027104020	MACHINE SCREW	2	
61	0601830710	SWITCH PANEL LIGHT/ENGINE SPEED	2	
62	C9221100004	HEX. HEAD BOLT	2	
62A	0040008000	WASHER, LOCK	2	
62B	0401450080	WASHER, FLAT	2.....	REPLACES P/N 0041208000
62C	0080200007	SNAP RING	2	
63	0017108040	HEX. HEAD BOLT, DCA400SSI4F	4	
63	0019208040	HEX. HEAD BOLT, DCA400SSI4F3	4	
91	0602103091	SHUTDOWN LAMP	1.....	REPLACES P/N 0602103090

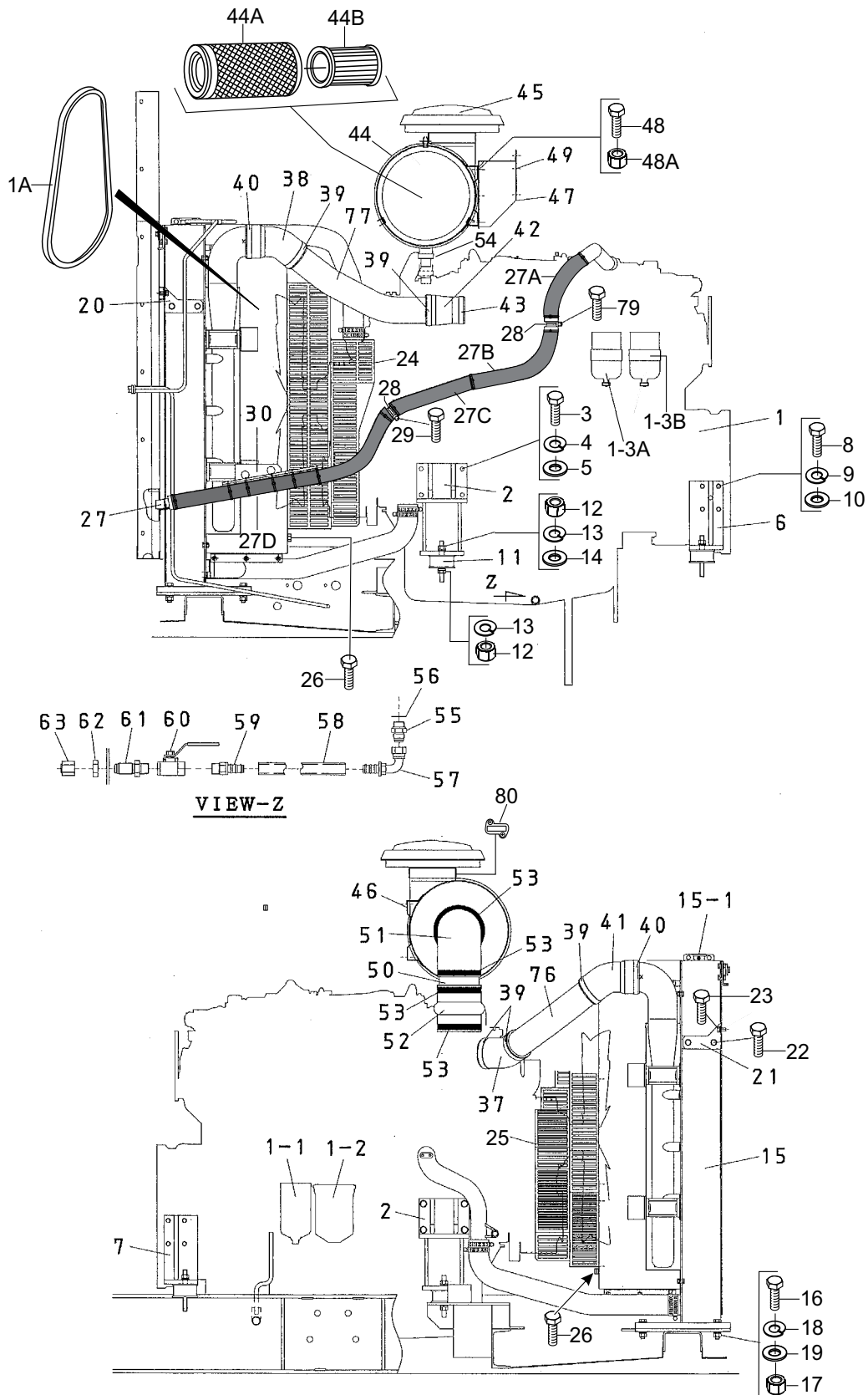
CONTROL PANEL ASSY. (DCA400SSI4F3PB)



CONTROL PANEL ASSY. (DCA400SSI4F3PB)

NO.	PART NO.	PART NAME	QTY.	REMARKS
35	C3224008503	CONTROL PANEL (L)	1	
36	C9221100004	HEX. HEAD BOLT	2	
36A	0040008000	WASHER, LOCK M8	2	
36B	0401450080	WASHER, FLAT M8.....	2.....	REPLACES P/N 0041208000
36C	0080200007	SNAP RING	2	
37	C3224008403	CONTROL PANEL (R)	1	
38	0016908070	HEX. HEAD BOLT	4	
39	Y0602120633	CONTROLLER, BASLER DG2020	1	
40	0601810171	PANEL LIGHT	1	
41	OEMAA8	HEX. NUT	2.....	REPLACES P/N 0207004000
41A	0027104020	MACHINE SCREW 4X20 MM	2	
42	Y0601810550	PILOT LAMP, 200V	1	
43	0601840009	RHEOSTAT (VOLT. REG.), 2W 5K OHM	1	
44	Y0601831953	SWITCH, EMERGENCY STOP	1	
45	0601830710	SWITCH, PANEL LIGHT/CONTROL PWR.	2	
46	Y0601832462	SWITCH, CIRCUIT BREAKER ON	1	
47	Y0601832463	SWITCH, CIRCUIT BREAKER OFF	1	

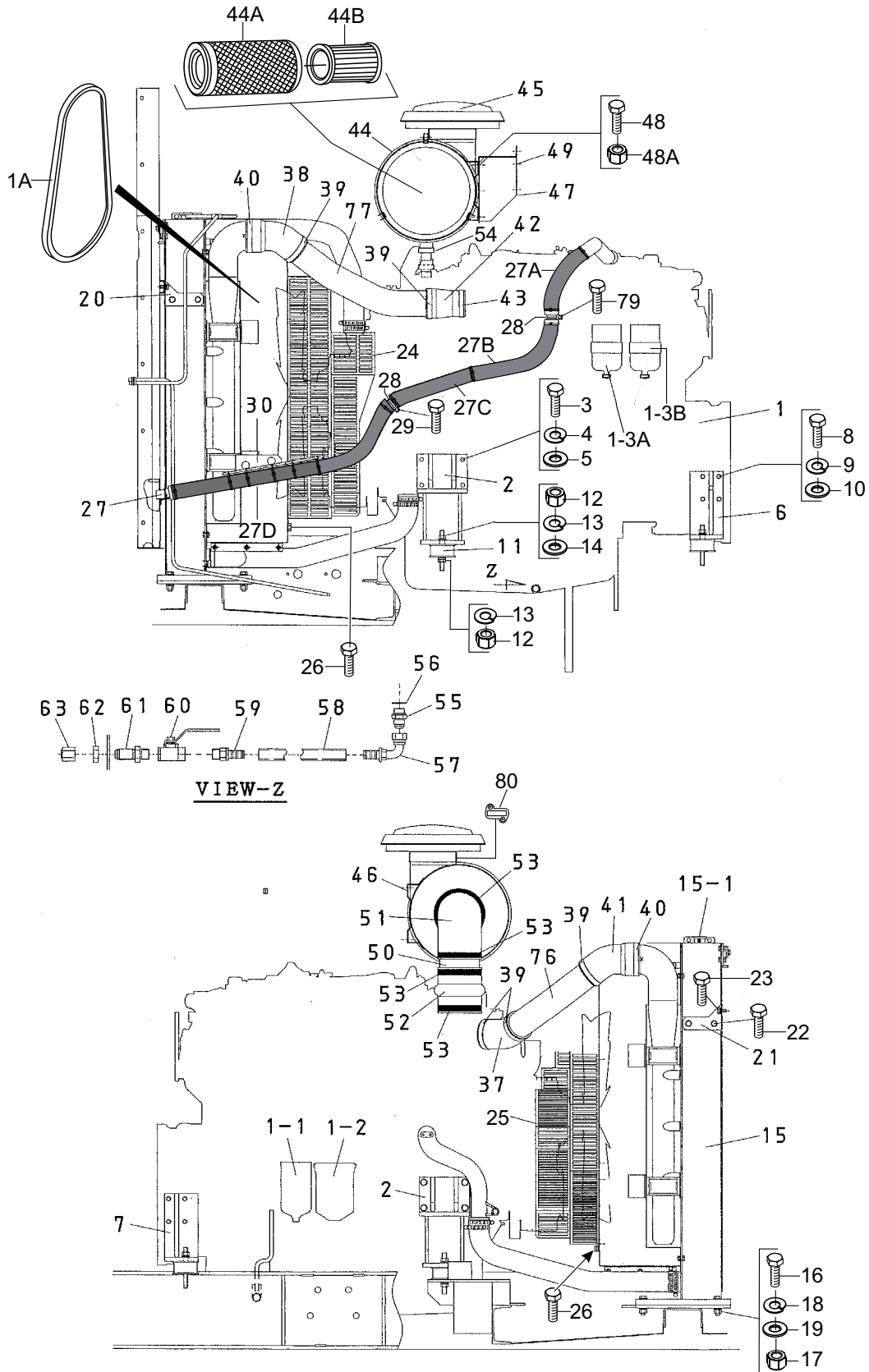
ENGINE AND RADIATOR ASSY.



ENGINE AND RADIATOR ASSY.

<u>NO.</u>	<u>PART NO.</u>	<u>PART NAME</u>	<u>QTY.</u>	<u>REMARKS</u>
1	6WG1XFT4	ENGINE	1.....	REPLACES P/N C3924200334
1A	1136715030	FAN BELT	3.....	REPLACES P/N Y0602015281
1-1	1132402330	CARTRIDGE, MAIN OIL FILTER	1.....	REPLACES P/N 0602041219
1-2	1132402410	CARTRIDGE, BYPASS OIL FILTER	1.....	REPLACES P/N 0602041220
1-3A	8983129180	ELEMENT, MAIN FUEL FILTER	2.....	REPLACES P/N Y0602042519
1-3B	8980742881	ELEMENT, PRE FUEL FILTER	2	
2	C3303200504	ENGINE FOOT	2	
3	Y0010314040	HEX. HEAD BOLT	8	
4	Y0040014000	WASHER, LOCK	8	
5	Y0041614000	WASHER, FLAT	8	
6	C3303200604	ENGINE FOOT	1	
7	C3303200704	ENGINE FOOT	1	
8	Y0010316040	HEX. HEAD BOLT	8	
9	Y0040016000	WASHER, LOCK	8	
10	Y0041616000	WASHER, FLAT	8	
11	Y0605000061	RUBBER SUSPENSION	4	
12	Y0030016000	HEX. NUT	8	
13	Y0040016000	WASHER, LOCK	8	
14	Y0041616000	WASHER, FLAT	8	
15	C3924200324	RADIATOR AND INTER-COOLER ASSY.	1	
15-1	Y0602011059	CAP	2	
16	Y0010116065	HEX. HEAD BOLT	6	
17	Y0030016000	HEX. NUT	6	
18	Y0040016000	WASHER, LOCK	6	
19	Y0041216000	WASHER, FLAT	12	
20	C3311100904	BRACKET, RADIATOR	1	
21	C3311101004	BRACKET, RADIATOR	1	
22	Y0017112025	HEX. HEAD BOLT	4	
23	Y0017112025	HEX. HEAD BOLT	2	
24	C3311200803	FAN GUARD	1	
25	C3311200903	FAN GUARD	1	
26	Y0016908020	HEX. HEAD BOLT	14	
27	Y0265902800	HOSE	1	
27A	Y0378500200	CRANK VENT FOAM INSULATION	1	
27B	Y0378500480	CRANK VENT FOAM INSULATION	1	
27C	Y0378500800	CRANK VENT FOAM INSULATION	1	
27D	Y0378501100	CRANK VENT FOAM INSULATION	1	
28	1097009470	HOSE BAND.....	2.....	REPLACES P/N Y0602014980
29	Y0017108015	HEX. HEAD BOLT	1	
30	C3327200503	CLAMP	1	
37	C3311500504	INTER COOLER HOSE, LOWER LS	1	
38	C3311500704	INTER COOLER HOSE, UPPER RS	1	
39	Y0605515301	HOSE BAND	5	
40	Y0605515292	HOSE BAND	2	

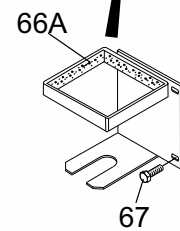
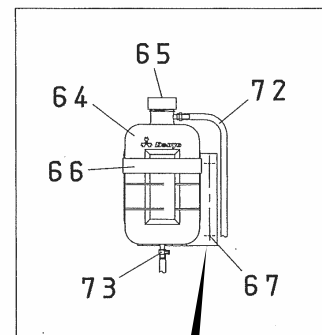
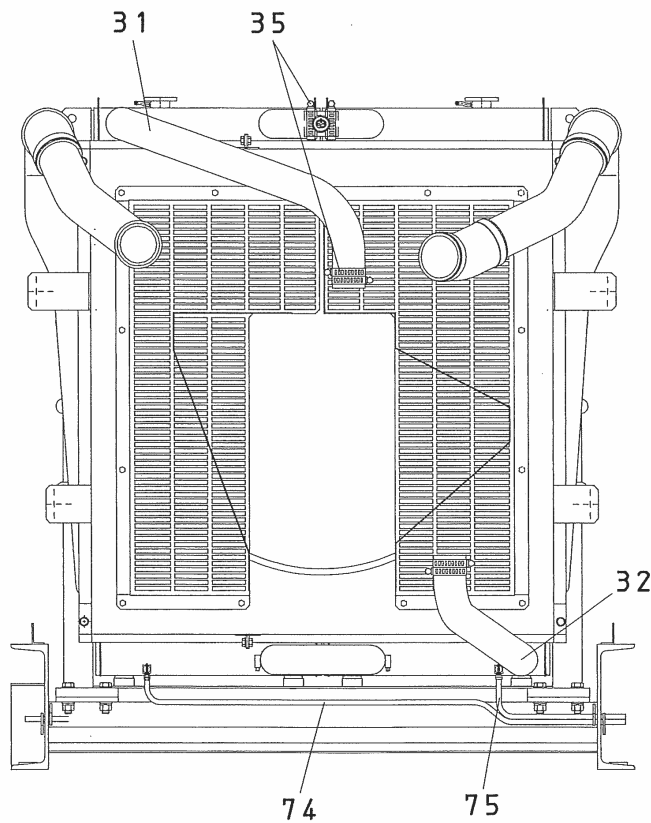
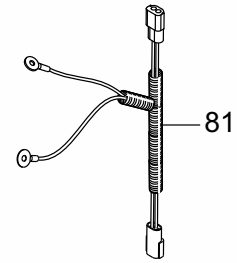
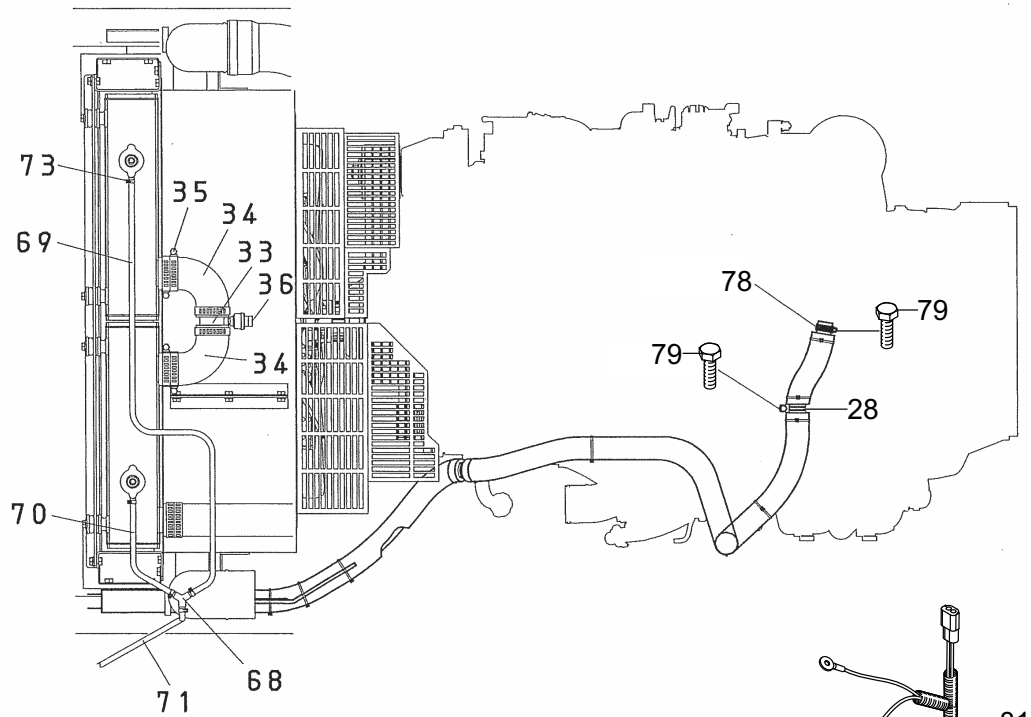
ENGINE AND RADIATOR ASSY. (CONT'D.)



ENGINE AND RADIATOR ASSY. (CONT'D.)

<u>NO.</u>	<u>PART NO.</u>	<u>PART NAME</u>	<u>QTY.</u>	<u>REMARKS</u>
41	C3311500604	INTER COOLER HOSE, UPPER LS	1	
42	C3311500804	INTER COOLER HOSE, LOWER RS	1	
43	Y0605515293	HOSE BAND	1	
44	Y0602046591	AIR CLEANER	1	
44A	P777868	ELEMENT, AIR CLEANER OUTER.....	1	REPLACES P/N Y0602046628
44B	0602046653-1	ELEMENT, AIR CLEANER INNER.....	1	REPLACES P/N Y0602046629
45	Y0602040779	CAP, AIR CLEANER	1	
46	Y0602040582	BAND, AIR CLEANER	2	
47	C3374200304	BRACKET, AIR CLEANER	1	
48	Y0016910025	HEX. HEAD BOLT	4	
48A	Y0207010000	HEX. NUT	4	
49	Y0016910025	HEX. HEAD BOLT	4	
50	C3374000104	AIR CLEANER PIPE	1	
51	Y0602040300	90° ELBOW	1	
52	Y0602040301	SINGLE HUMP	1	
53	Y0605515260	HOSE BAND	4	
54	Y0602040679	DUST SENSOR	1	
55	Y0602022560	ADAPTER	1	
56	M1320300304	PACKING	1	
57	Y0602022561	90° ELBOW	1	
58	Y0269200550	DRAIN HOSE	1	
59	Y0603306395	HOSE JOINT	1	
60	Y0605511395	VALVE	1	
61	Y0603306590	CONNECTOR	1	
62	Y0603300285	LOCKNUT	1	
63	Y0602021070	CAP	1	
76	C3311400003	INTER COOLER PIPE	1	
77	C3311400103	INTER COOLER PIPE	1	
79	Y0017108025	HEX. HEAD BOLT	1	
80	8976019670	SENSOR, MASS AIR FLOW	1	REPLACES P/N Y0602047050

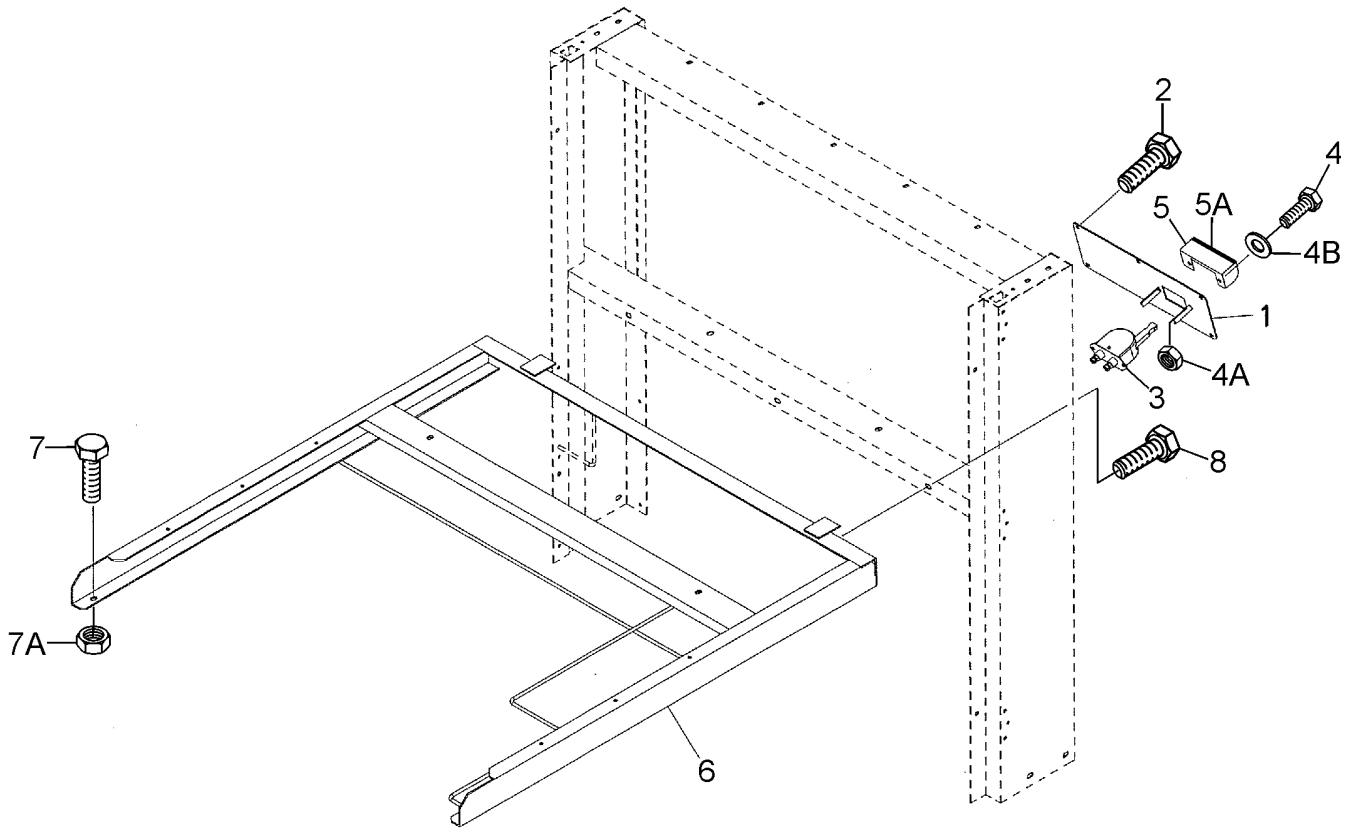
ENGINE AND RADIATOR ASSY. (CONT'D.)



ENGINE AND RADIATOR ASSY. (CONT'D.)

<u>NO.</u>	<u>PART NO.</u>	<u>PART NAME</u>	<u>QTY.</u>	<u>REMARKS</u>
28	1097009470	HOSE BAND.....	1.....	REPLACES P/N Y0602014980
31	C3311500303	RADIATOR HOSE, UPPER	1	
32	C3311500403	RADIATOR HOSE, LOWER	1	
33	G3310400004	RADIATOR PIPE	1	
34	C3310500404	RADIATOR HOSE	2	
35	Y0605515290	HOSE BAND	14	
36	Y0602123290	COOLANT LEVEL SWITCH	1	
64	0802081003C	RESERVE TANK.....	1.....	REPLACES P/N 0802081003
65	0802010900	CAP, RESERVE TANK.....	1.....	REPLACES P/N 0602010900
66	C3317100804	BRACKET, RESERVE TANK	1	
66A	0229200600	RUBBER SEAL	1	
67	011008020	HEX. HEAD BOLT.....	2.....	REPLACES P/N 0016908020
68	0602022929	JOINT	1	
69	0199900800	HOSE	1	
70	0199900300	HOSE	1	
71	0199901600	HOSE	1	
72	Y0193602200	HOSE	1	
73	0605515170	HOSE BAND.....	6.....	REPLACES P/N Y0605515106
74	0193601300	HOSE	1	
75	0193600550	HOSE	1	
78	0605515067	HOSE BAND	1	
79	Y0017108025	HEX. HEAD BOLT	1	
81	C3358209000	WIRE HARNESS, ENGINE	1	

ENGINE OPERATING PANEL ASSY.



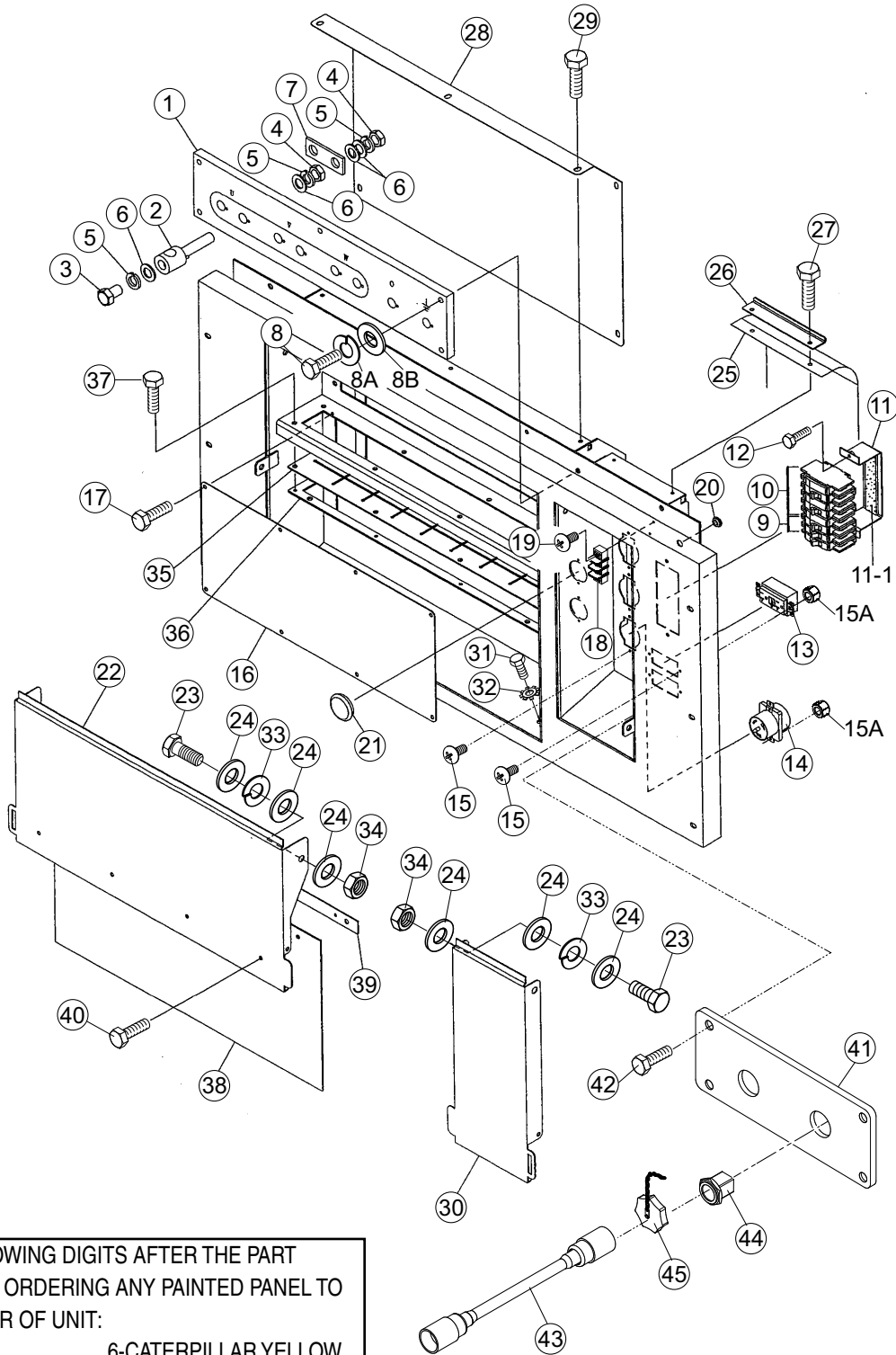
ENGINE OPERATING PANEL ASSY.

<u>NO.</u>	<u>PART NO.</u>	<u>PART NAME</u>	<u>QTY.</u>	<u>REMARKS</u>
1	C3352102604	OPERATING PANEL	1	
2	011206020	HEX. HEAD BOLT	6.....	REPLACES P/N 0016906020
3	1823200010	BATTERY SWITCH.....	1.....	REPLACES P/N 0602101001
4	0010108080	HEX. HEAD BOLT	2	
4A	Y0207008000	HEX. NUT	2	
4B	0401450080	WASHER, FLAT	2.....	REPLACES P/N 0041208000
5	C3352700204	COVER, BATTERY SWITCH	1	
5A	Y0226900135	RUBBER SEAL	1	
6	C3484002003	SET FRAME, CONTROL BOX	1	
7	012010030	HEX. HEAD BOLT	2.....	REPLACES P/N 0017110030
7A	021112140	HEX. NUT	2.....	REPLACES P/N 0207010000
8	012010030	HEX. HEAD BOLT	3.....	REPLACES P/N 0017110030

OUTPUT TERMINAL ASSY. (DCA400SSI4F)

<u>NO.</u>	<u>PART NO.</u>	<u>PART NAME</u>	<u>QTY.</u>	<u>REMARKS</u>
1	C2231700403	SET BOARD, OUTPUT TERMINAL	1	
2	C0277500004	OUTPUT TERMINAL	8	
3	0801830904	HEX. HEAD BOLT	8	
4	0039320000	HEX. NUT	16	
5	030220510	WASHER, LOCK.....	24	REPLACES P/N 0040020000
6	0041420000	WASHER, FLAT	32	
7	3501860604	TERMINAL PLATE	3	
8	0019110050	HEX. HEAD BOLT	5	
8A	0042310000	WASHER, LOCK	5	
8B	0042410000	WASHER, FLAT	5	
9	0601808803	CIRCUIT BREAKER, 20A	2	
10	0601808804	CIRCUIT BREAKER, 50A	3	
11	C3261600704	BRACKET, CIRCUIT BREAKER	1	
11-1	Y0228900150	RUBBER CUSHION	1	
12	0019206015	HEX. HEAD BOLT	2	
13	0601814024	RECEPTACLE	2	REPLACES P/N 0601814013
14	0601814014	RECEPTACLE	3	
15	0025304015	MACHINE SCREW	10	
15A	OEMAA8	HEX. NUT	10	REPLACES P/N 0207004000
16	C3454400504	COVER	1	
17	0019206015	HEX. HEAD BOLT	8	
18	0601815194	TERMINAL BLOCK	1	
19	0025304015	MACHINE SCREW	2	
20	0601850275	GROMMET	1	
21	0601851780	GROMMET	2	
22	C3237104203	COVER, OUTPUT TERMINAL	1	
23	012212045	HEX. HEAD BOLT.....	2	REPLACES P/N 0019112045
24	0042412000	WASHER, FLAT	4	
25	0805009804	STAY RUBBER	2	REPLACES P/N 0805015604
26	0039312000	HEX. NUT	2	REPLACES P/N 0205012000
27	0845043704	SPRING	2	
28	C2237101204	COVER	1	
29	0019208020	HEX. HEAD BOLT	7	
30	C2237102403	COVER, OUTPUT TERMINAL	1	
31	0019210030	HEX. HEAD BOLT	2	
32	0845054204	COLLAR	2	
33	0805009804	STAY RUBBER	1	REPLACES P/N 0805015604
34	G2237101504	COVER	1	
35	C2237400104	BRACKET	1	
36	011206020	HEX. HEAD BOLT.....	2	REPLACES P/N 0019206020
37	0019210025	HEX. HEAD BOLT	1	
38	0040510000	EXTERNAL TOOTH LOCK WASHER	1	

OUTPUT TERMINAL ASSY. (DCA400SSI4F3/F3PB)



ADD THE FOLLOWING DIGITS AFTER THE PART NUMBER WHEN ORDERING ANY PAINTED PANEL TO INDICATE COLOR OF UNIT:

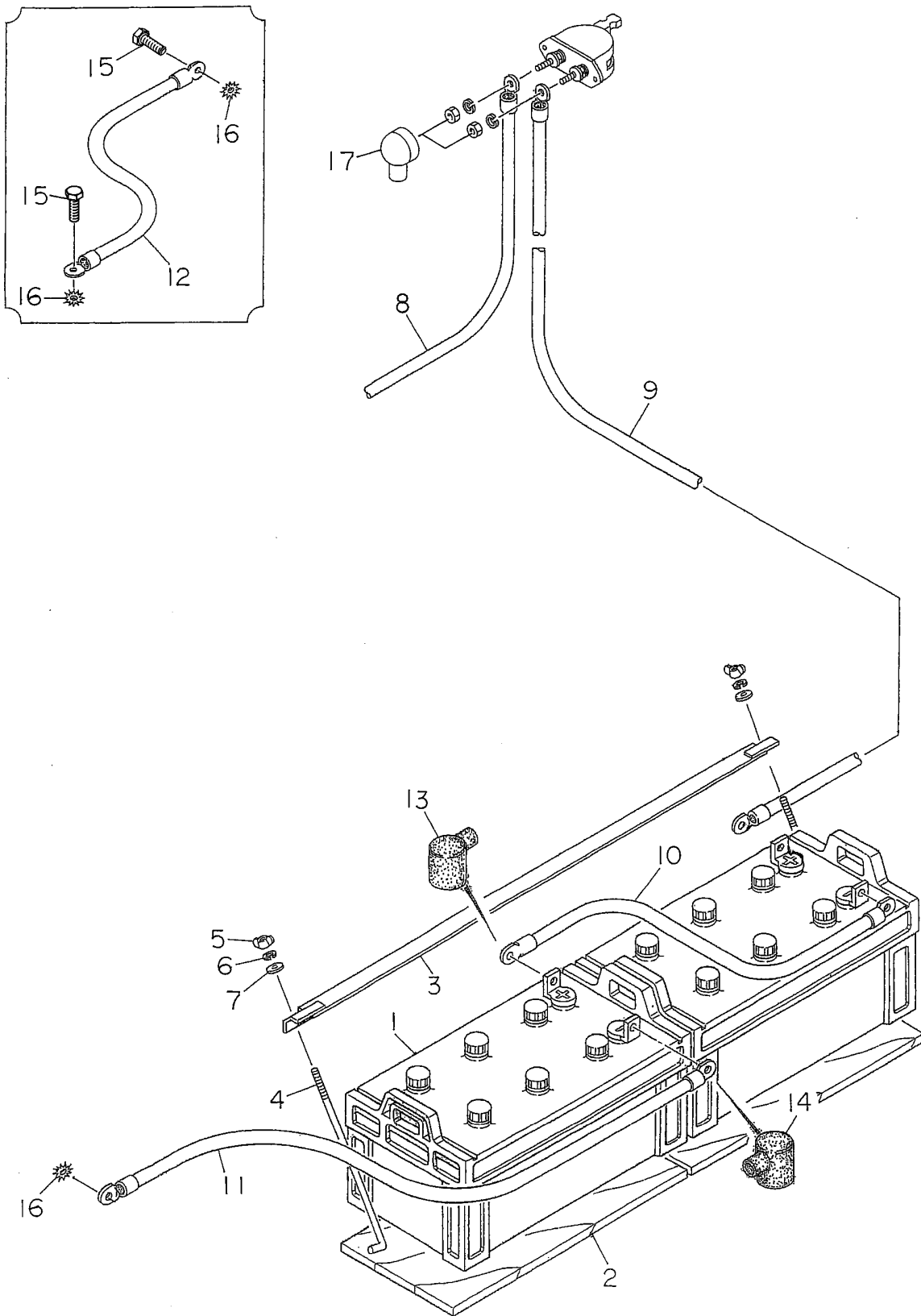
- | | |
|-----------------|----------------------|
| 1-ORANGE | 6-CATERPILLAR YELLOW |
| 2-WHITE | 7-CATO GOLD |
| 3-SPECTRUM GREY | 8-RED |
| 4-SUNBELT GREEN | 9-DESERT TAN |
| 5-BLACK | |

THE SERIAL NUMBER MAY BE REQUIRED.

OUTPUT TERMINAL ASSY. (DCA400SSI4F3/F3PB)

<u>NO.</u>	<u>PART NO.</u>	<u>PART NAME</u>	<u>QTY.</u>	<u>REMARKS</u>
1	C2231700403	SET BOARD, OUTPUT TERMINAL	1	
2	C0277500004	OUTPUT TERMINAL	8	
3	0801830904	HEX. HEAD BOLT	8	
4	0039320000	HEX. NUT	16	
5	030220510	WASHER, LOCK.....	24	REPLACES P/N 0040020000
6	0041420000	WASHER, FLAT	32	
7	3501860604	TERMINAL PLATE	3	
8	0019110050	HEX. HEAD BOLT	5	
8A	0042310000	WASHER, LOCK	5	
8B	0042410000	WASHER, FLAT	5	
9	0601808803	CIRCUIT BREAKER, 20A	2	
10	0601808804	CIRCUIT BREAKER, 50A	3	
11	C3261600704	BRACKET, CIRCUIT BREAKER	1	
11-1	Y0228900150	RUBBER CUSHION	1	
12	0019206015	HEX. HEAD BOLT	2	
13	0601814024	RECEPTACLE	2	REPLACES P/N 0601814013
14	0601814014	RECEPTACLE	3	
15	0025304015	MACHINE SCREW	10	
15A	OEMAA8	HEX. NUT	10	REPLACES P/N 0207004000
16	C3454401604	COVER	1	
17	0019206015	HEX. HEAD BOLT	8	
18	0601815194	TERMINAL BLOCK	1	
19	0025304015	MACHINE SCREW	2	
20	0601850275	GROMMET	1	
21	0601851780	GROMMET	2	
22	C3237105103	COVER, OUTPUT TERMINAL	1	
23	0019112040	HEX. HEAD BOLT	4	
24	0042412000	WASHER, FLAT	12	
25	C3237105704	COVER	10	
26	C2237400104	BRACKET	1	
27	011206020	HEX. HEAD BOLT.....	2	REPLACES P/N 0019206020
28	C3237104903	COVER	1	
29	0019208020	HEX. HEAD BOLT	7	
30	C3237105204	COVER, OUTPUT TERMINAL	1	
31	0019210025	HEX. HEAD BOLT	1	
32	0040510000	EXTERNAL TOOTH LOCK WASHER	1	
33	0605050060	CONICAL LOCK WASHER	4	
34	0030012000	HEX. NUT M12	4	
35	C3237104804	CABLE OUTLET COVER	1	
36	C3237200004	CABLE OUTLET COVER, SUPPORTER	1	
37	0019206020	HEX. HEAD BOLT	8	
38	C3237105004	RUBBER SHEET	1	
39	C3237200104	RUBBER SHEET HOLDER	1	
40	0019206020	HEX. HEAD BOLT	4	
41	C3454701604	PLATE.....	1	DCA400SSI4F3PB ONLY
42	0019206020	HEX. HEAD BOLT.....	4	DCA400SSI4F3PB ONLY
43	C3247600304	PARALLEL CABLE	1	DCA400SSI4F3PB ONLY
44	0601814095	RECEPTACLE, ETHERNET CABLE	2	DCA400SSI4F3PB ONLY
45	0601814096	CAP.....	2	DCA400SSI4F3PB ONLY

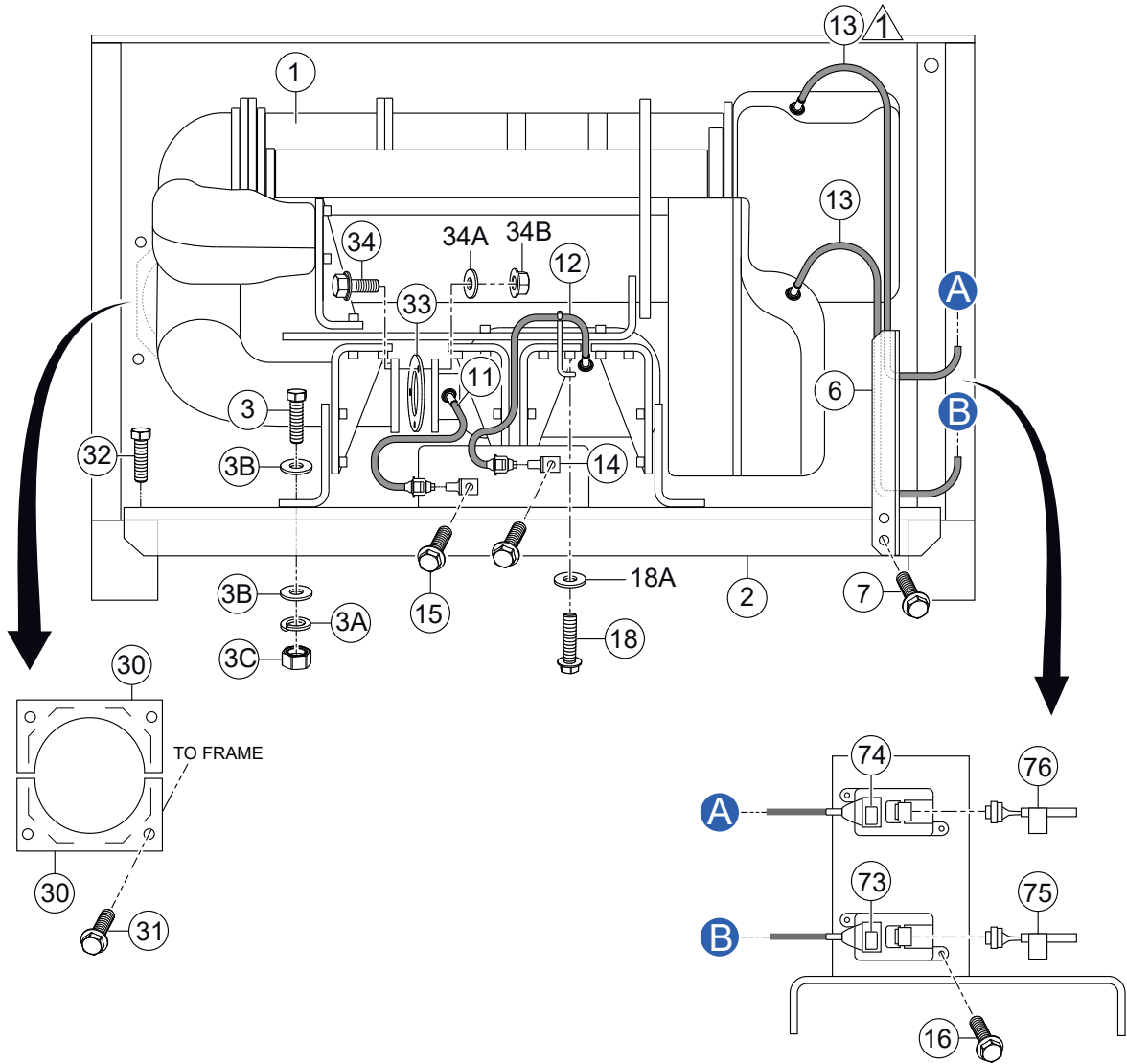
BATTERY ASSY.



BATTERY ASSY.

<u>NO.</u>	<u>PART NO.</u>	<u>PART NAME</u>	<u>QTY.</u>	<u>REMARKS</u>
1	0602220196	BATTERY	2.....	REPLACES P/N 0165721052
2	C9109100704	BATTERY SHEET	2	
3	0805006404	BATTERY BAND	1	
4	0805006504	BATTERY BOLT	2	
5	57216	WING NUT	2.....	REPLACES P/N 0037808000
6	0040008000	WASHER, LOCK	2	
7	031108160	WASHER, FLAT	2.....	REPLACES P/N 0041608000
8	G3347603004	BATTERY CABLE	1	
9	C3347602904	BATTERY CABLE	1	
10	C6347601604	BATTERY CABLE	1	
11	C3346602104	BATTERY CABLE	1	
12	G3347200904	EARTH CABLE	1	
13	0845040114	TERMINAL CAP (+)	2	
14	0845041004	TERMINAL CAP (-)	2	
15	0017112025	HEX. HEAD BOLT	2	
16	0040512000	TOOTHED WASHER	3	
17	0845040414	TERMINAL CAP (+)	2	

DOC AND SCR ASSY.

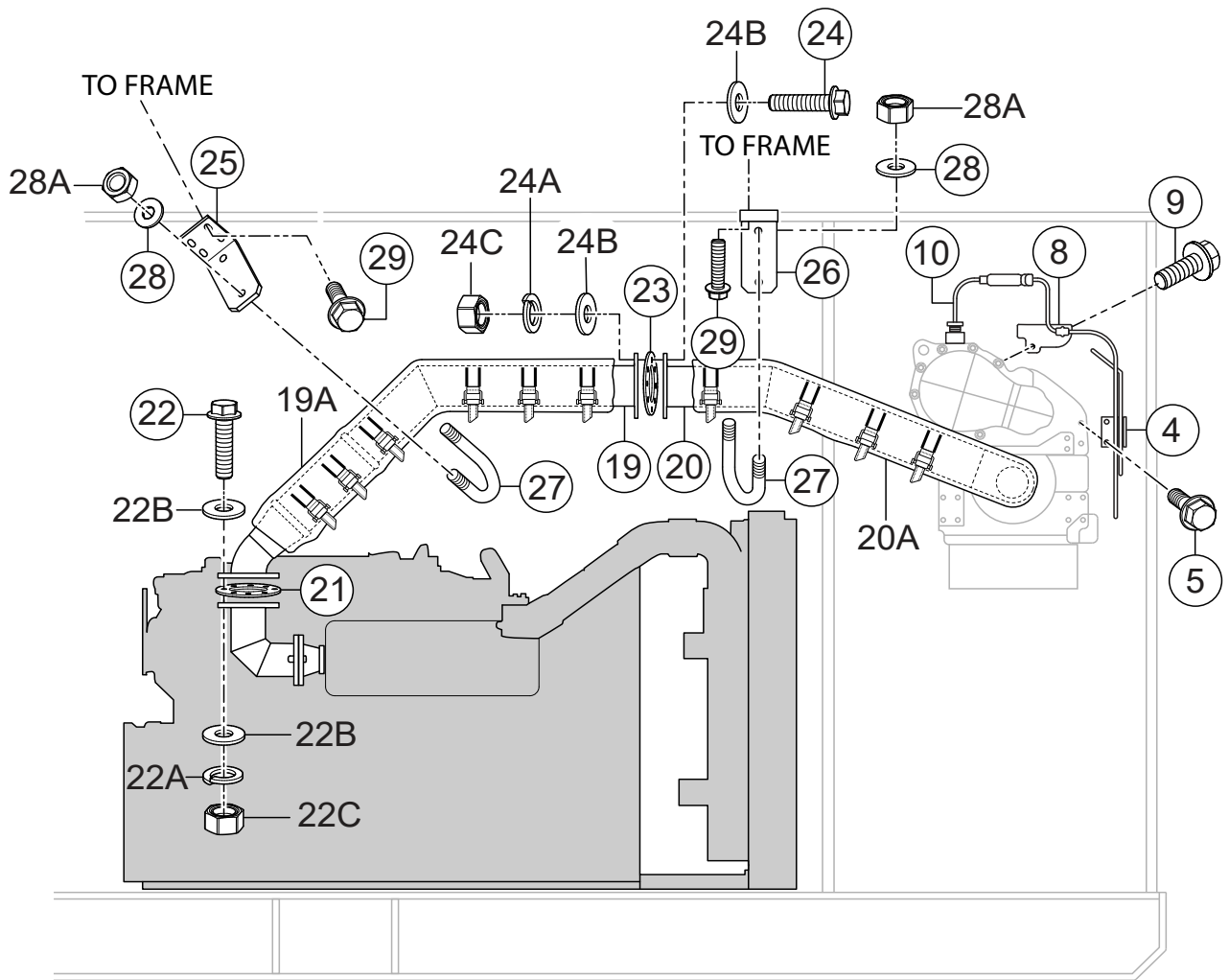


NOTE:
 DCA400SSI4F USES ONE NO_x SENSOR.
 DCA400SSI4F3 AND DCA400SSI4F3PB
 BOTH USE TWO NO_x SENSORS.

DOC AND SCR ASSY.

<u>NO.</u>	<u>PART NO.</u>	<u>PART NAME</u>	<u>QTY.</u>	<u>REMARKS</u>
1	8982377451	DOC AND SCR, DCA400SSI4F	1.....	REPLACES P/N Y0602330320
1	8983247100	DOC AND SCR, DCA400SSI4F3/F3PB	1.....	REPLACES P/N Y0602330324
2	C3331400703	BRACKET, SCR, DCA400SSI4F	1	
2	C3331401113	BRACKET, SCR, DCA400SSI4F3/F3PB	1	
3	Y001916050	HEX. HEAD BOLT	6	
3A	Y0042316000	WASHER, LOCK	6	
3B	Y0042416000	WASHER, FLAT	12	
3C	0030016000	HEX. NUT	6	
6	C3322600404	HARNESS CLAMP, SCR	1	
7	0019208020	HEX. HEAD BOLT	2	
11	8981867621	EXHAUST GAS TEMP. SENSOR, FT	1.....	REPLACES P/N Y0602330471
12	8981867621	EXHAUST GAS TEMP. SENSOR, RR	1.....	REPLACES P/N Y0602330471
13	8982369200	SENSOR, NOX, DCA400SSI4F.....	1.....	REPLACES P/N Y0602330473
13	8982369200	SENSOR, NOX, DCA400SSI4F3/F3PB.....	2.....	REPLACES P/N Y0602330473
14	Y0602330472	BRACKET	2	
15	0019206016	HEX. HEAD BOLT	2	
16	0019206016	HEX. HEAD BOLT	4	
18	Y0341110020	HEX. HEAD BOLT	1	
18A	031110160	WASHER, FLAT	1.....	REPLACES P/N 0041610000
30	C3334301604	COVER, EXHAUST PIPE	2	
31	0019208020	HEX. HEAD BOLT	4	
32	0019210025	HEX. HEAD BOLT	4	
33	8976256630	GASKET	1.....	REPLACES P/N Y0602330476
34	0280512350	HEX. HEAD BOLT	3.....	REPLACES P/N Y0602330477
34A	1095560200	DISH WASHER.....	3.....	REPLACES P/N Y0602330479
34B	0911802120	HEX. NUT	3.....	REPLACES P/N Y0602330478
73	C950120000	DECAL; NOX SENSOR (IN)	1	
74	C950120104	DECAL; NOX SENSOR (OUT)	1	
75	C950120204	DECAL; NOX SENSOR (IN)	1	
76	C950120304	DECAL; NOX SENSOR (OUT)	1	

EXHAUST PIPE ASSY.



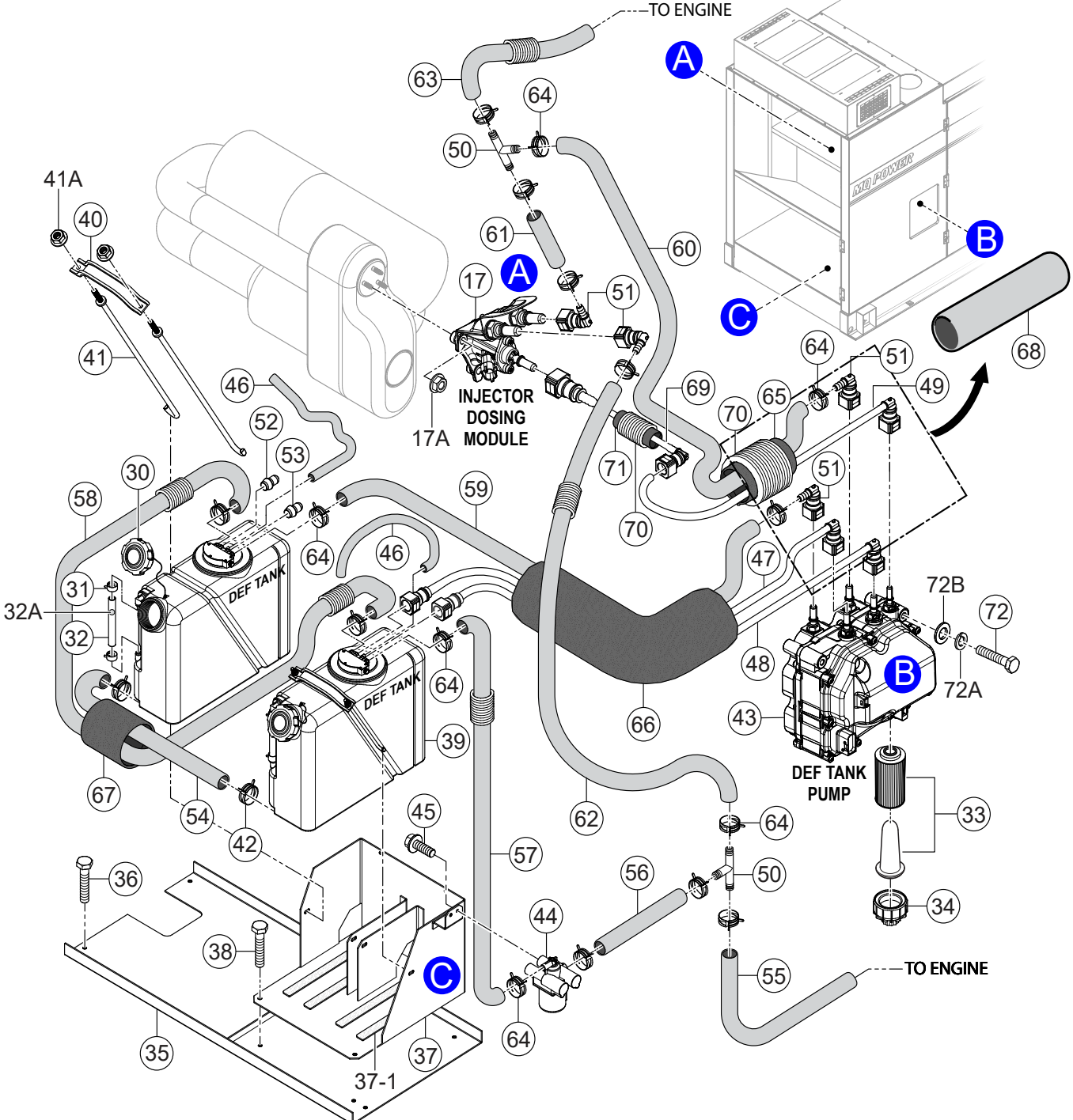
EXHAUST PIPE ASSY.

<u>NO.</u>	<u>PART NO.</u>	<u>PART NAME</u>	<u>QTY.</u>	<u>REMARKS</u>
4	C3358301904	HARNESS CLAMP	1	
5	0012410030	HEX. HEAD BOLT	2	
8	C3352800104	BRACKET	1	
9	0012410030	HEX. HEAD BOLT	1	
10	8980863290	EXHAUST GAS TEMP. SENSOR, SCR.....	1.....	REPLACES P/N Y0602330470
19	C3334002303	EXHAUST PIPE	1	
19A	C3334302003	WARM COVER, EXHAUST PIPE	1	
20	C3334002203	EXHAUST PIPE	1	
20A	C3334302003	WARM COVER, EXHAUST PIPE	1	
21	C9304000304	GASKET	1	
22	0010316060	HEX. HEAD BOLT	8	
22A	0042516000	WASHER, LOCK	8	
22B	0401450160	WASHER, FLAT	16.....	REPLACES P/N 0041616000
22C	0030316000	HEX. NUT	8	
23	G9304000704	GASKET	1	
24	012212045	HEX. HEAD BOLT	6.....	REPLACES P/N 0019112045
24A	0040012000	WASHER, LOCK	6	
24B	031112230	WASHER, FLAT	12.....	REPLACES P/N 0041612000
24C	0039312000	HEX. NUT	6.....	REPLACES P/N 0030312000
25	C3334301804	BRACKET	1	
26	C3334301904	BRACKET	1	
27	Y0603320171	U-BOLT	2	
28	031110160	WASHER, FLAT	4.....	REPLACES P/N 0041210000
28A	020310080	HEX. NUT	8.....	REPLACES P/N 0030010000
29	0019208020	HEX. HEAD BOLT	6	

DEF TANK ASSY.

NO.	PART NO.	PART NAME	QTY.	REMARKS
17	8982318980	DOSING MODULE	1.....	REPLACES P/N Y0602330474
17A	0911801060	HEX. HEAD NUT	3.....	REPLACES P/N Y0602330480
30	8981202622	CAP ASSY. FILLER, DEF TANK	1.....	REPLACES P/N Y0602330465
31	8981202651	CLAMP, WATER LEVEL HOSE.....	2.....	REPLACES P/N Y0602330466
32	8981202641	LEVEL HOSE, DEF TANK	1.....	REPLACES P/N Y0602330467
32A	8982041630	INDICATOR, WATER LEVEL	1.....	REPLACES P/N Y0602330468
33	8983507160	FILTER KIT, PUMP ASSY. DEF DCM SPLY.....	1.....	REPLACES P/N Y0602330485
34	8981694080	COVER KIT, PUMP ASSY. DEF DCM SPLY.	1.....	REPLACES P/N Y0602330486
35	C3484400103	STAND, UREA WATER TANK	1	
36	0019208020	HEX. HEAD BOLT	4	
37	C3484501303	BRACKET, UREA WATER TANK	1	
37-1	Y0222100480	RUBBER SEAL	1	
38	0019208020	HEX. HEAD BOLT	4	
39	8982861760	UREA WATER TANK.....	2.....	REPLACES P/N Y0602330440
40	8981567470	BAND, UREA WATER TANK.....	2.....	REPLACES P/N Y0602330441
41	8981579360	BOLT, UREA TANK	4.....	REPLACES P/N Y0602330442
41A	0911801100	HEX. NUT	4.....	REPLACES P/N Y0602330443
42	8970106050	HOSE CLAMP	2.....	REPLACES P/N Y0602330444
43	8982264731	MODULE, DCA400SSI4F	1.....	REPLACES P/N Y0602330445
43	8982688120	MODULE, DCA400SSI4F3/F3PB.....	1.....	REPLACES P/N Y0602330446
44	8976289561	COOLANT CONTROL VALVE	1.....	REPLACES P/N Y0602330446
45	0019208020	HEX. HEAD BOLT	2	
46	Y0193200400	HOSE	1	
47	4B1010	HOSE, UREA WATER TANK.....	1.....	REPLACES P/N Y0602330450
48	4B1016	HOSE, UREA WATER TANK.....	1.....	REPLACES P/N Y0602330451
49	4B1012	HOSE, UREA WATER TANK.....	1.....	REPLACES P/N Y0602330452
50	4B1015	HOSE JOINT	2.....	REPLACES P/N Y0602330454
51	4B1014	CONNECTOR.....	4.....	REPLACES P/N Y0602330453
52	4B1017	CAP.....	1.....	REPLACES P/N Y0602330455
53	4B1018	CAP.....	1.....	REPLACES P/N Y0602330456
54	4B1009	HOSE, UREA WATER TANK.....	1.....	REPLACES P/N Y0602330460
55	Y0377104050	HOSE	1	
56	Y0377100200	HOSE	1	
57	Y0377101100	HOSE	1	
58	Y0377102300	HOSE	1	
59	Y0377101300	HOSE, DCA400SSI4F	1	
59	Y0377101040	HOSE, DCA400SSI4F3/F3PB	1	
60	Y0377102000	HOSE	1	
61	Y0377100080	HOSE	1	
62	Y0377101750	HOSE	1	
63	Y0377105150	HOSE	1	
64	Y0605515227	HOSE CLAMP	18	

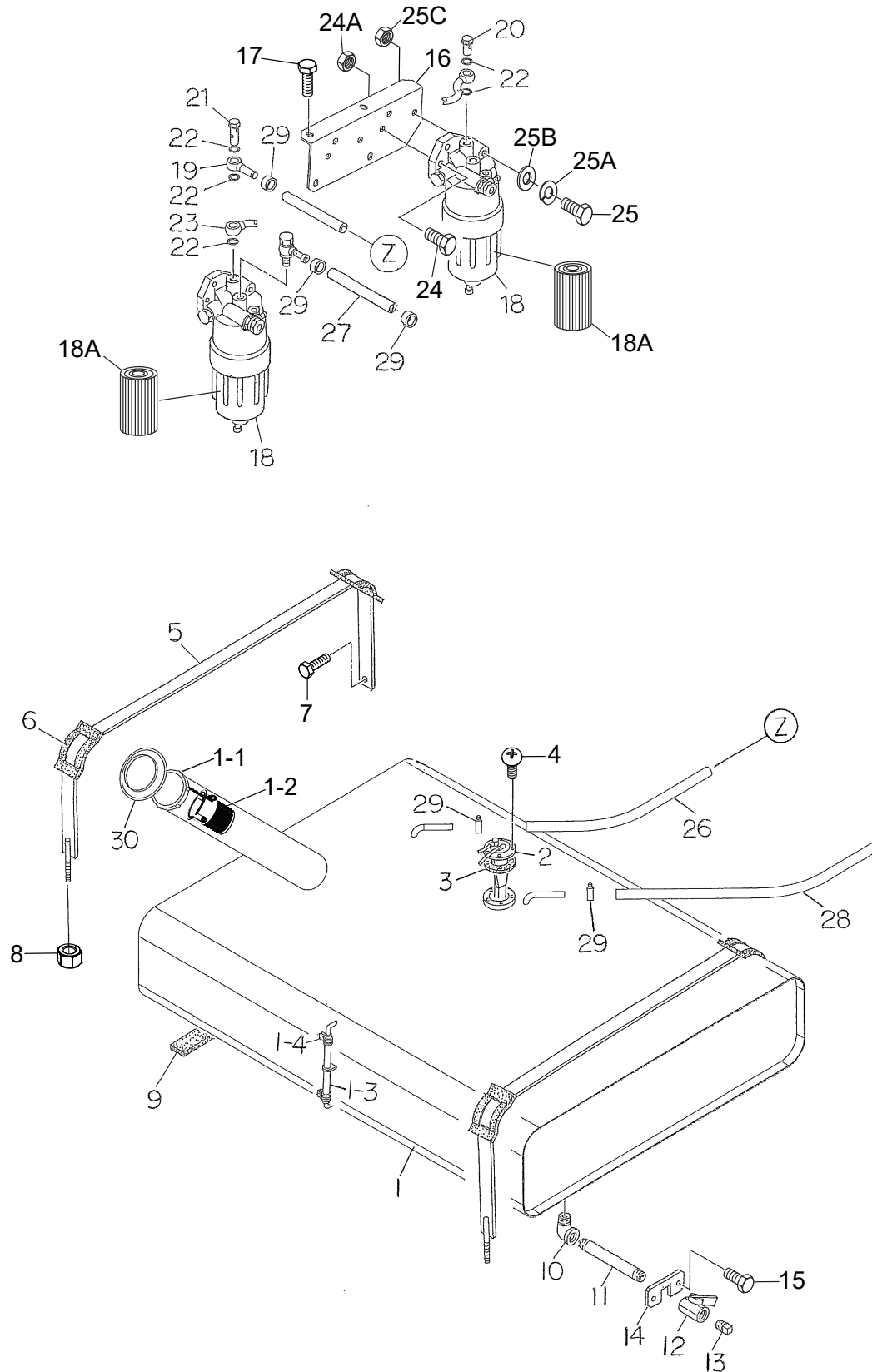
DEF TANK ASSY. (CONT'D.)



DEF TANK ASSY. (CONT'D.)

<u>NO.</u>	<u>PART NO.</u>	<u>PART NAME</u>	<u>QTY.</u>	<u>REMARKS</u>
65	Y0378701800	TUBE	1	
66	Y0378700600	TUBE	1	
67	Y0378800400	TUBE	1	
68	Y0378800250	TUBE, INSULATION	1	
69	Y0378900180	TUBE	1	
70	Y0401001650	TUBE	1	
71	Y0401000180	TUBE	1	
72	0016308095	HEX. HEAD BOLT	3	
72A	0040008000	WASHER, LOCK	3	
72B	0401450080	WASHER, FLAT	3.....	REPLACES P/N 0041208000

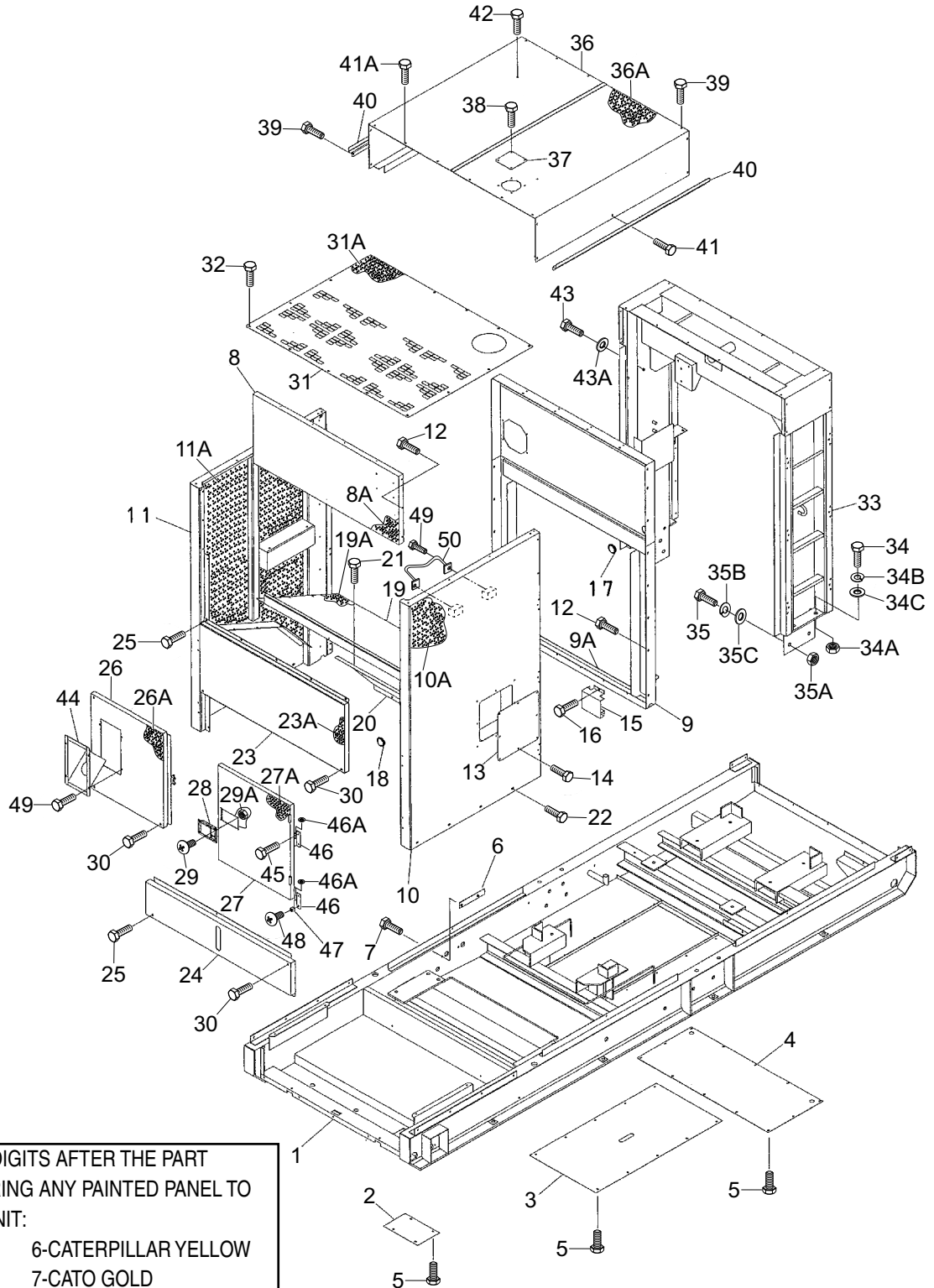
FUEL TANK ASSY.



FUEL TANK ASSY.

NO.	PART NO.	PART NAME	QTY.	REMARKS
1	C3364003003	FUEL TANK.....	1.....	INCLUDES ITEMS W/#
1-1#	0845500104	CAP, FUEL TANK (DCA400SSI4F)	1	
1-1#	Y0605505025	CAP, FUEL TANK (DCA400SSI4F3/F3PB)	1	
1-2#	0810105400	FUEL FILTER (DCA400SSI4F)	1	
1-2#	Y065505105	FUEL FILTER (DCA400SSI4F3/F3PB)	1	
1-3#	0264100525	HOSE, FUEL GAUGE	1	
1-4#	0605515079	HOSE BAND	2	
2	Y0605501015	UNIT, FUEL	1	
3	0605516090	GASKET	1	
4	0022905015	MACHINE SCREW	5	
5	C3364200504	TANK BAND	2	
6	0805003414	PAD, TANK BAND	4	
7	011008020	HEX. HEAD BOLT.....	2.....	REPLACES P/N 0016908020
8	0207308000	SUPER LOCK NUT, DCA400SSI4F	2	
8	0207608000	SUPER LOCK NUT, DCA400SSI4F3/F3PB	2	
9	0222100300	TANK SHEET	6	
10	0130206000	STREET ELBOW, 1/2"	1	
11	0134306220	DRAIN PIPE	1	
12	Y0603325007	VALVE	1	
13	0132006000	PLUG, 1/2"	1	
14	C1367700304	LOCK PLATE	1	
15	0019208020	HEX. HEAD BOLT	2	
16	C3367701004	BRACKET	1	
17	0016910025	HEX. HEAD BOLT	4	
18	8980758551	PRIMARY FUEL FILTER ASSY.....	2.....	REPLACES P/N 0602042405 INCLUDE ITEMS W/\$
18A\$	8980742881	ELEMENT, PRIMARY FUEL FILTER.....	2.....	REPLACES P/N 0602042516
19	8980955010	JOINT PIPE.....	2.....	REPLACES P/N 0602042662
20	1096750951	JOINT BOLT.....	2.....	REPLACES P/N 0602042621
21	1096752390	JOINT BOLT.....	2.....	REPLACES P/N Y0602042622
22	1096301110	PACKING.....	10.....	REPLACES P/N 0602021702
23	1154168750	FUEL PIPE.....	2.....	REPLACES P/N 0602042663
24	014210040	HEX. HEAD BOLT.....	4.....	REPLACES P/N 0017110040
24A	021112140	HEX. NUT.....	4.....	REPLACES P/N 0207010000
25	0010110075	HEX. HEAD BOLT	2	
25A	0040010000	WASHER, LOCK	2	
25B	031110160	WASHER, FLAT.....	2.....	REPLACES P/N 0041210000
25C	021112140	HEX. NUT.....	2.....	REPLACES P/N 0207010000
26	Y0191402600	SUCTION HOSE	1	
27	0191400500	SUCTION HOSE	1	
28	Y0191403050	RETURN HOSE	1	
29	0605515132	HOSE BAND	6	
30	0845039604	RUBBER SEAL	1	

ENCLOSURE ASSY.



ADD THE FOLLOWING DIGITS AFTER THE PART NUMBER WHEN ORDERING ANY PAINTED PANEL TO INDICATE COLOR OF UNIT:

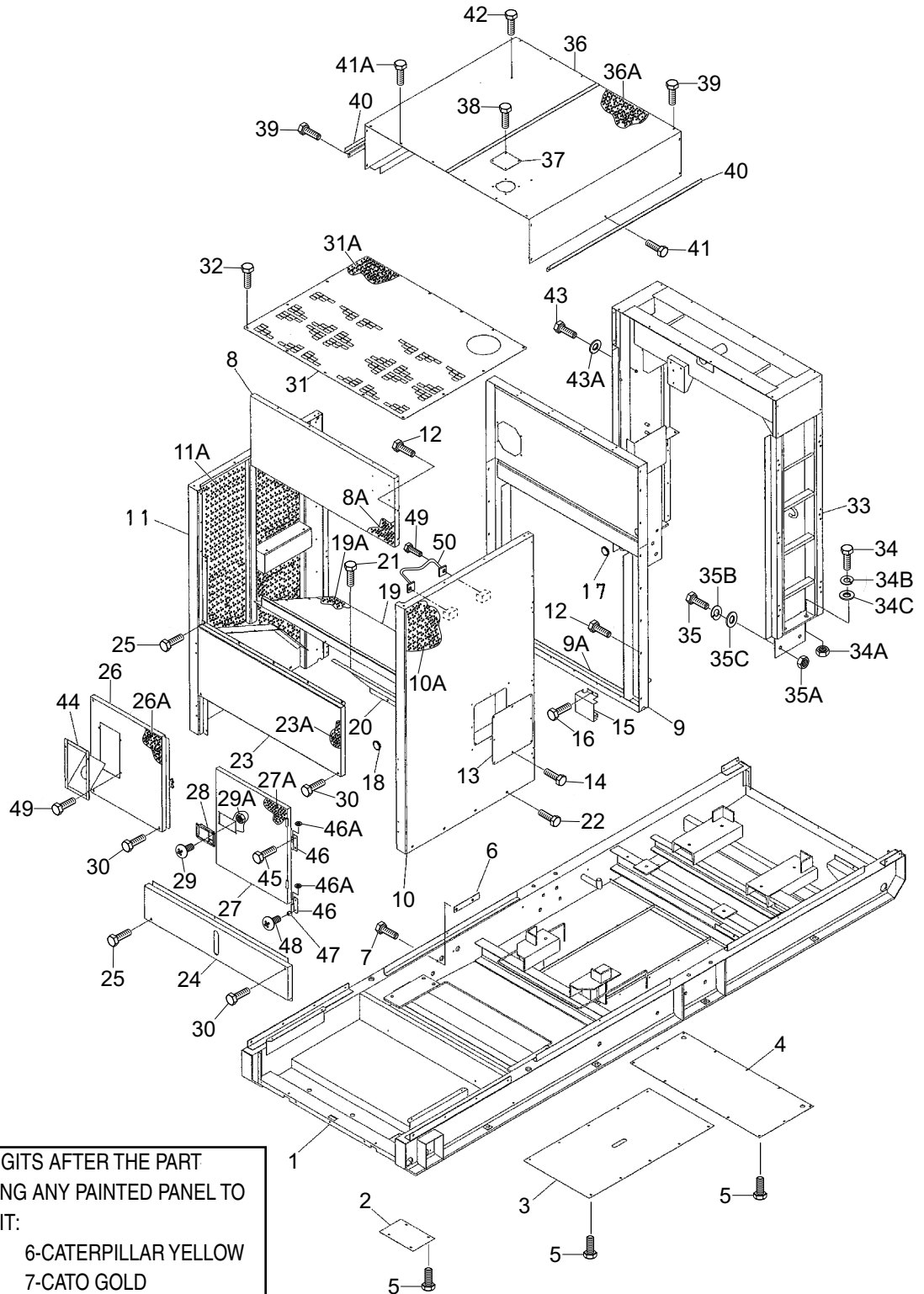
- | | |
|-----------------|----------------------|
| 1-ORANGE | 6-CATERPILLAR YELLOW |
| 2-WHITE | 7-CATO GOLD |
| 3-SPECTRUM GREY | 8-RED |
| 4-SUNBELT GREEN | 9-DESERT TAN |
| 5-BLACK | |

THE SERIAL NUMBER MAY BE REQUIRED.

ENCLOSURE ASSY.

<u>NO.</u>	<u>PART NO.</u>	<u>PART NAME</u>	<u>QTY.</u>	<u>REMARKS</u>
1	C3414006302	BASE, DCA400SSI4F	1	
1	C3414006312	BASE, DCA400SSI4F3/F3PB	1	
2	C3414100104	FLOOR PANEL	1	
3	C3413100304	FLOOR PANEL	1	
4	C3414100804	FLOOR PANEL	1	
5	0019208020	HEX. HEAD BOLT	26	
6	C2367700404	COVER, DCA400SSI4F	1	
6	C3414805104	COVER, DCA400SSI4F3/F3PB	1	
7	0019208025	HEX. HEAD BOLT	2	
8	C3424006303	FRONT FRAME	1	
8A	C3494103503	LINING	1	
9	C3424006402	FRONT FRAME	1	
9A	C3494103503	LINING	1	
10	C3424006502	FRONT FRAME	1	
10A	C3494103503	LINING	1	
11	C3424006602	FRONT FRAME	1	
11A	C3494103503	LINING	1	
12	0019208020	HEX. HEAD BOLT	22	
13	C3424700904	COVER	1	
14	0019208020	HEX. HEAD BOLT	8	
15	C3327200604	COVER	1	
16	011008020	HEX. HEAD BOLT	2	REPLACES P/N 0016908020
17	Y0601851762	GROMMET	1	
18	Y0601851718	GROMMET	1	
19	C3424301703	GUIDE PANEL, AIR	1	
19A	C3494103503	LINING	1	
20	C3424301803	GUIDE PANEL, AIR	1	
21	0019208020	HEX. HEAD BOLT	24	
22	0019210025	HEX. HEAD BOLT	8	
23	C3424100003	FRONT PANEL	1	
23A	C3494103604	LINING	1	
24	C3424100203	FRONT PANEL	1	
25	0019208020	HEX. HEAD BOLT	10	
26	C3424100103	FRONT PANEL	1	
26A	C3494103704	LINING	1	
27	C3424600203	DOOR, FRONT FRAME	1	
27A	C3494103804	LINING	1	
28	B9114000002	DOOR HANDLE	1	
29	0021806015	MACHINE SCREW	4	
29A	020106050	HEX. NUT	4	REPLACES P/N 0030006000
30	0019208020	HEX. HEAD BOLT, DCA400SSI4F	8	
30	0019208065	HEX. HEAD BOLT, DCA400SSI4F3/F3PB	8	

ENCLOSURE ASSY. (CONT'D.)



ADD THE FOLLOWING DIGITS AFTER THE PART NUMBER WHEN ORDERING ANY PAINTED PANEL TO INDICATE COLOR OF UNIT:

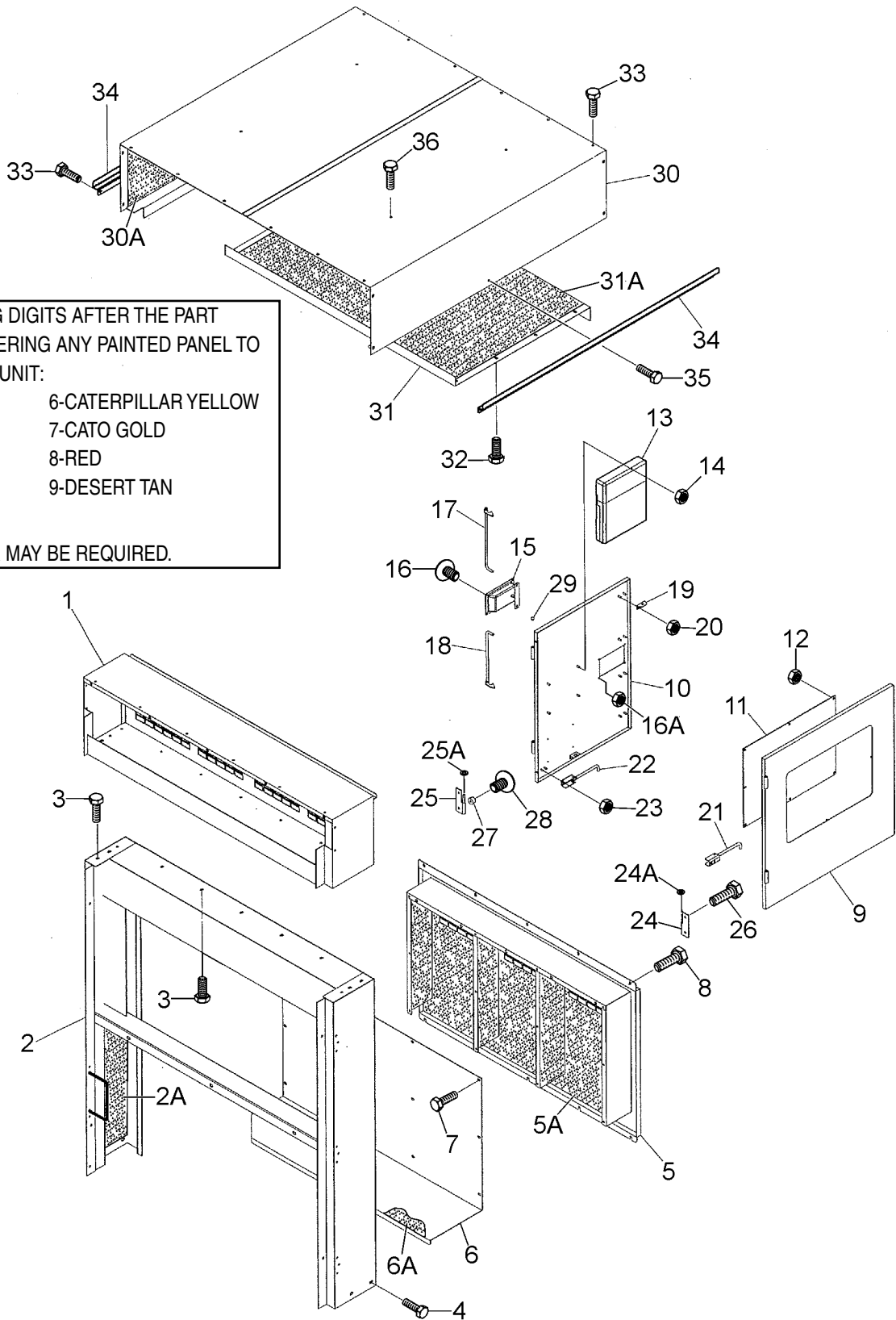
- | | |
|-----------------|----------------------|
| 1-ORANGE | 6-CATERPILLAR YELLOW |
| 2-WHITE | 7-CATO GOLD |
| 3-SPECTRUM GREY | 8-RED |
| 4-SUNBELT GREEN | 9-DESERT TAN |
| 5-BLACK | |

THE SERIAL NUMBER MAY BE REQUIRED.

ENCLOSURE ASSY. (CONT'D.)

<u>NO.</u>	<u>PART NO.</u>	<u>PART NAME</u>	<u>QTY.</u>	<u>REMARKS</u>
31	C3424205103	COVER, FRONT FRAME	1	
31A	C3497100004	HEAT INSULATOR	1	
32	0019208020	HEX. HEAD BOLT	17	
33	C3424002602	CENTER FRAME, DCA400SSI4F	1	
33	C3434002612	CENTER FRAME, DCA400SSI4F3/F3PB	1	
34	0010120065	HEX. HEAD BOLT	4	
34A	0030020000	HEX. NUT	4	
34B	030220510	WASHER, LOCK.....	4.....	REPLACES P/N 0040020000
34C	0401450200	WASHER, FLAT	8.....	REPLACES P/N 0041620000
35	0010120055	HEX. HEAD BOLT	8	
35A	0030020000	HEX. NUT	8	
35B	030220510	WASHER, LOCK.....	8.....	REPLACES P/N 0040020000
35C	0401450200	WASHER, FLAT	16.....	REPLACES P/N 0041620000
36	C3464101702	ROOF PANEL	1	
36A	C3494503503	LINING	1	
37	M3310600004	COVER, DCA400SSIU4F	1	
38	0019208020	HEX. HEAD BOLT COVER, DCA400SSI4F	4	
39	0019208020	HEX. HEAD BOLT, DCA400SSI4F	20	
39	0019208020	HEX. HEAD BOLT, DCA400SSI4F3/F3PB	18	
40	C3463500204	GUTTER	2	
41	0019208020	HEX. HEAD BOLT, DCA400SSI4F	2	
41A	0019208025	HEX. HEAD BOLT, DCA400SSI4F3/F3PB	4	
42	0019210025	HEX. HEAD BOLT	4	
43	0019116025	HEX. HEAD BOLT	1	
43A	0042416000	WASHER, FLAT	1	
44	0845042703	FILLER BRACKET	1	
45	0019208020	HEX. HEAD BOLT	3	
46	M9110100304	HINGE.....	2.....	REPLACES P/N 0845047204
46A	0845045004	WASHER	2	
47	0601850097	STOPPER	1	
48	0025408025	MACHINE SCREW	1	
49	0019208020	HEX. HEAD BOLT	6	
50	C3322600503	CLAMP, DCA400SSI4F3/F3PB	1	

ENCLOSURE REAR ASSY.



ADD THE FOLLOWING DIGITS AFTER THE PART NUMBER WHEN ORDERING ANY PAINTED PANEL TO INDICATE COLOR OF UNIT:

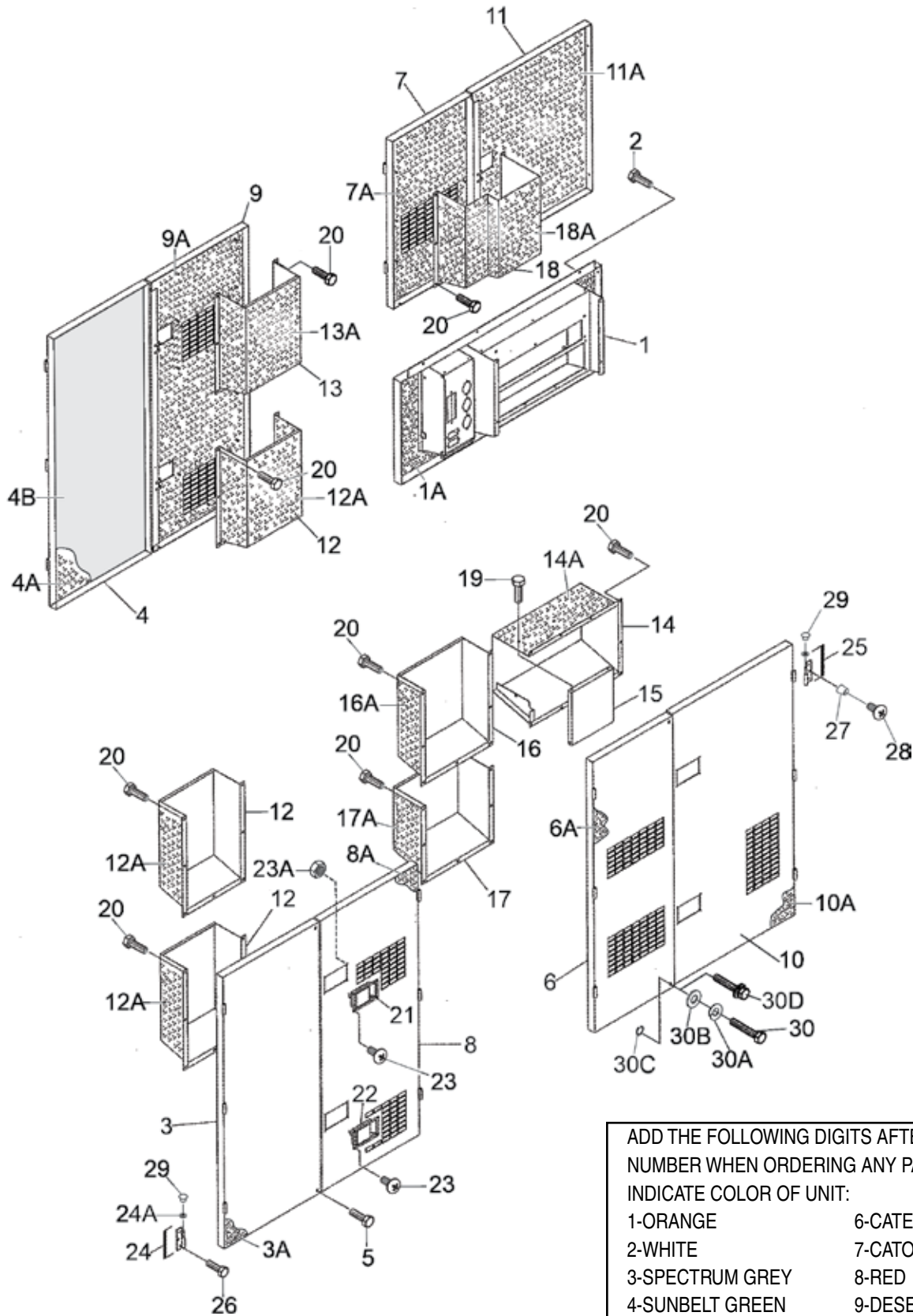
1-ORANGE	6-CATERPILLAR YELLOW
2-WHITE	7-CATO GOLD
3-SPECTRUM GREY	8-RED
4-SUNBELT GREEN	9-DESERT TAN
5-BLACK	

THE SERIAL NUMBER MAY BE REQUIRED.

ENCLOSURE REAR ASSY.

<u>NO.</u>	<u>PART NO.</u>	<u>PART NAME</u>	<u>QTY.</u>	<u>REMARKS</u>
1	C3444003403	REAR FRAME	1	
2	C3444003502	REAR FRAME	1	
2A	C3494303104	LINING	1	
3	0019208020	HEX. HEAD BOLT	11	
4	0019210025	HEX. HEAD BOLT	4	
5	C3444303503	COVER, REAR FRAME	1	
5A	C3494303204	LINING	1	
6	C3444303604	DUCT COVER	1	
6A	C3494303304	LINING	1	
7	0019208020	HEX. HEAD BOLT	12	
8	0019208020	HEX. HEAD BOLT	10	
9	C3444202803	DOOR, REAR FRAME	1	
10	C3444202903	DOOR, REAR FRAME	1	
11	M4443600004	WINDOW PLATE	1	
12	020106050	HEX. NUT	8.....	REPLACES P/N 0207306000
13	0600800320	MANUAL HOLDER	1	
14	0176060030	HEX. NUT	4.....	REPLACES P/N 0207006000
15	B9114000102	DOOR HANDLE	1	
16	0021806015	MACHINE SCREW	4	
16A	020106050	HEX. NUT	4.....	REPLACES P/N 0030006000
17	8225146204	DOOR ROD	1	
18	8175146304	DOOR ROD	1	
19	0845050704	STAY	4	
20	0176060030	HEX. NUT	8.....	REPLACES P/N 0207006000
21	0805011304	STOPPER, DOOR	1	
22	0805011204	STOPPER, DOOR	1	
23	0176060030	HEX. NUT	4.....	REPLACES P/N 0207006000
24	M9110100204	HINGE.....	2.....	REPLACES P/N 0845047104
24A	0845045004	WASHER	2	
25	M9110100304	HINGE.....	2.....	REPLACES P/N 0845047204
25A	0845045004	WASHER	2	
26	0019208020	HEX. HEAD BOLT	6	
27	0601850097	STOPPER	2	
28	0025408025	MACHINE SCREW	2	
29	0845031504	CAP	4	
30	C3464201702	ROOF PANEL	1	
30A	C3494503603	LINING	1	
31	C3464502904	COVER, ROOF PANEL	1	
31A	C3494503704	LINING	1	
32	011008020	HEX. HEAD BOLT	12.....	REPLACES P/N 0017108020
33	0019208020	HEX. HEAD BOLT	20	
34	C3463500304	GUTTER	2	
35	0019208020	HEX. HEAD BOLT	2	
36	0019210025	HEX. HEAD BOLT	4	

ENCLOSURE SIDE ASSY.



ADD THE FOLLOWING DIGITS AFTER THE PART NUMBER WHEN ORDERING ANY PAINTED PANEL TO INDICATE COLOR OF UNIT:

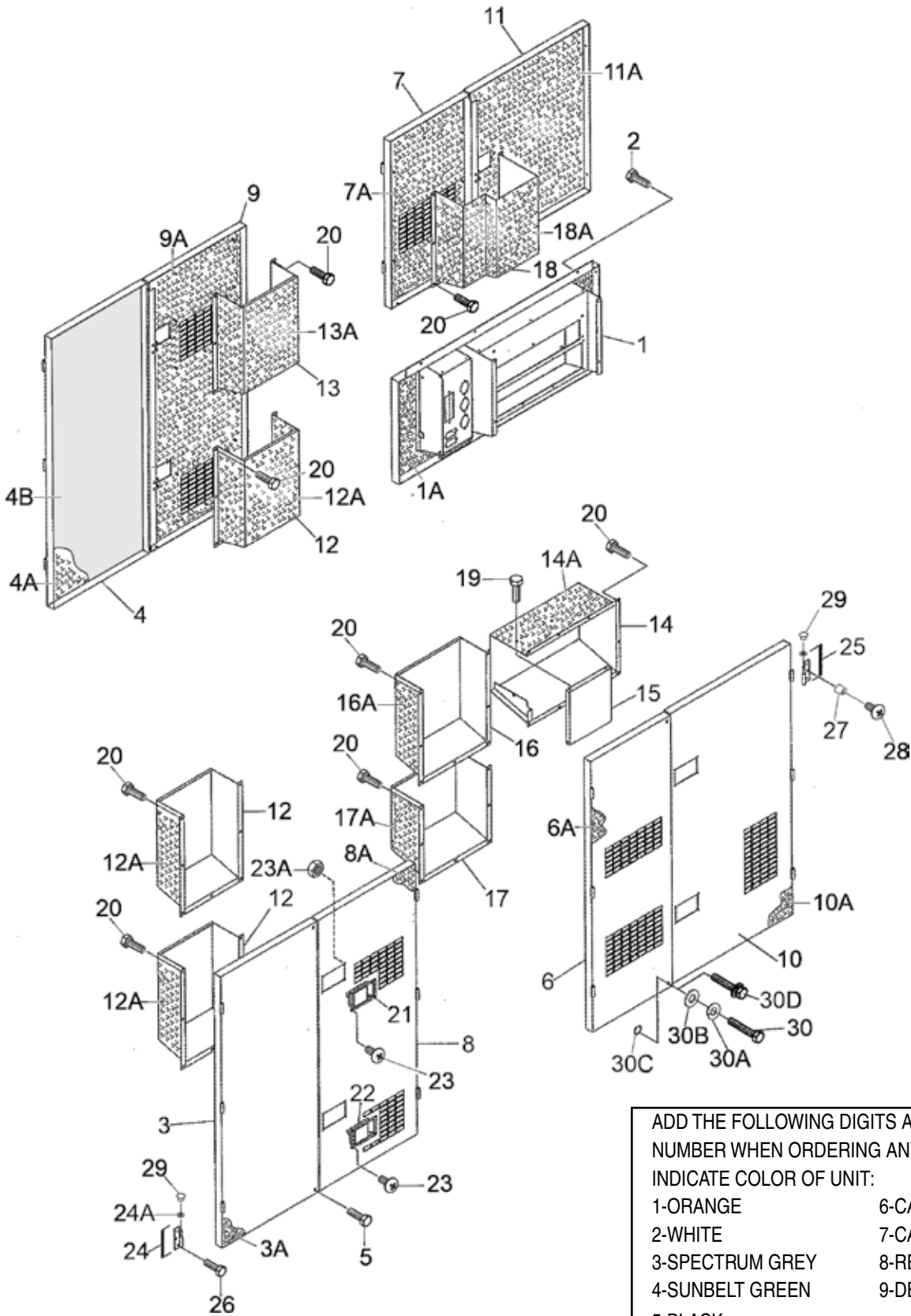
- | | |
|-----------------|----------------------|
| 1-ORANGE | 6-CATERPILLAR YELLOW |
| 2-WHITE | 7-CATO GOLD |
| 3-SPECTRUM GREY | 8-RED |
| 4-SUNBELT GREEN | 9-DESERT TAN |
| 5-BLACK | |

THE SERIAL NUMBER MAY BE REQUIRED.

ENCLOSURE SIDE ASSY.

<u>NO.</u>	<u>PART NO.</u>	<u>PART NAME</u>	<u>QTY.</u>	<u>REMARKS</u>
1	C3454200202	SPLASHER PANEL, DCA400SSI4F	1	
1	C3454208402	SPLASHER PANEL, DCA400SSI4F3	1	
1	C3454208902	SPLASHER PANEL, DCA400SSI4F3PB	1	
1A	C3494402004	LINING, DCA400SSI4F	1	
1A	C3494421404	LINING, DCA400SSI4F3/F3PB	1	
2	0019208070	HEX. HEAD BOLT	6	
3	C3454105103	SIDE PANEL	1	
3A	C3494417604	LINING	1	
4	C3454105203	SIDE PANEL	1	
4A	C3494401904	LINING	1	
4B	C3497400004	HEAT INSULATOR	1	
5	0019208070	HEX. HEAD BOLT	7	
6	C3454105303	SIDE PANEL	1	
6A	C3494417804	LINING	1	
7	C3454105403	SIDE PANEL, DCA400SSI4F	1	
7	C3454107903	SIDE PANEL, DCA400SSI4F3/F3PB	1	
7A	C3494417904	LINING, DCA400SSI4F	1	
7A	C3494421604	LINING, DCA400SSI4F3/F3PB	1	
8	C3454008003	SIDE DOOR	1	
8A	C3494417204	LINING	1	
9	C3454008303	SIDE DOOR	1	
9A	C3494418604	LINING	1	
10	C3454007903	SIDE DOOR	1	
10A	C3494417404	LINING	1	
11	C3454008203	SIDE DOOR, DCA400SSI4F	1	
11	C3454010103	SIDE DOOR, DCA400SSI4F3/F3PB	1	
11A	C3494417504	LINING, DCA400SSI4F	1	
11A	C3494421504	LINING, DCA400SSI4F3/F3PB	1	
12	C3454306204	DUCT	3	
12A	C3494418004	LINING	3	
13	C3454306904	DUCT	1	
13A	C3494418704	LINING	1	
14	C3454306304	DUCT	1	
14A	C3494418104	LINING	1	
15	C3454500404	PANEL	1	
16	C3454306604	DUCT	1	
16A	C3494418204	LINING	1	
17	C3454306704	DUCT	1	
17A	C3494418304	LINING	1	
18	C3454306804	DUCT	1	
18A	C3494418403	LINING	1	
19	011008020	HEX. HEAD BOLT	2	REPLACES P/N 0016908020
20	020108060	HEX. NUT	58	REPLACES P/N 0207008000

ENCLOSURE SIDE ASSY. (CONT'D.)



ADD THE FOLLOWING DIGITS AFTER THE PART NUMBER WHEN ORDERING ANY PAINTED PANEL TO INDICATE COLOR OF UNIT:

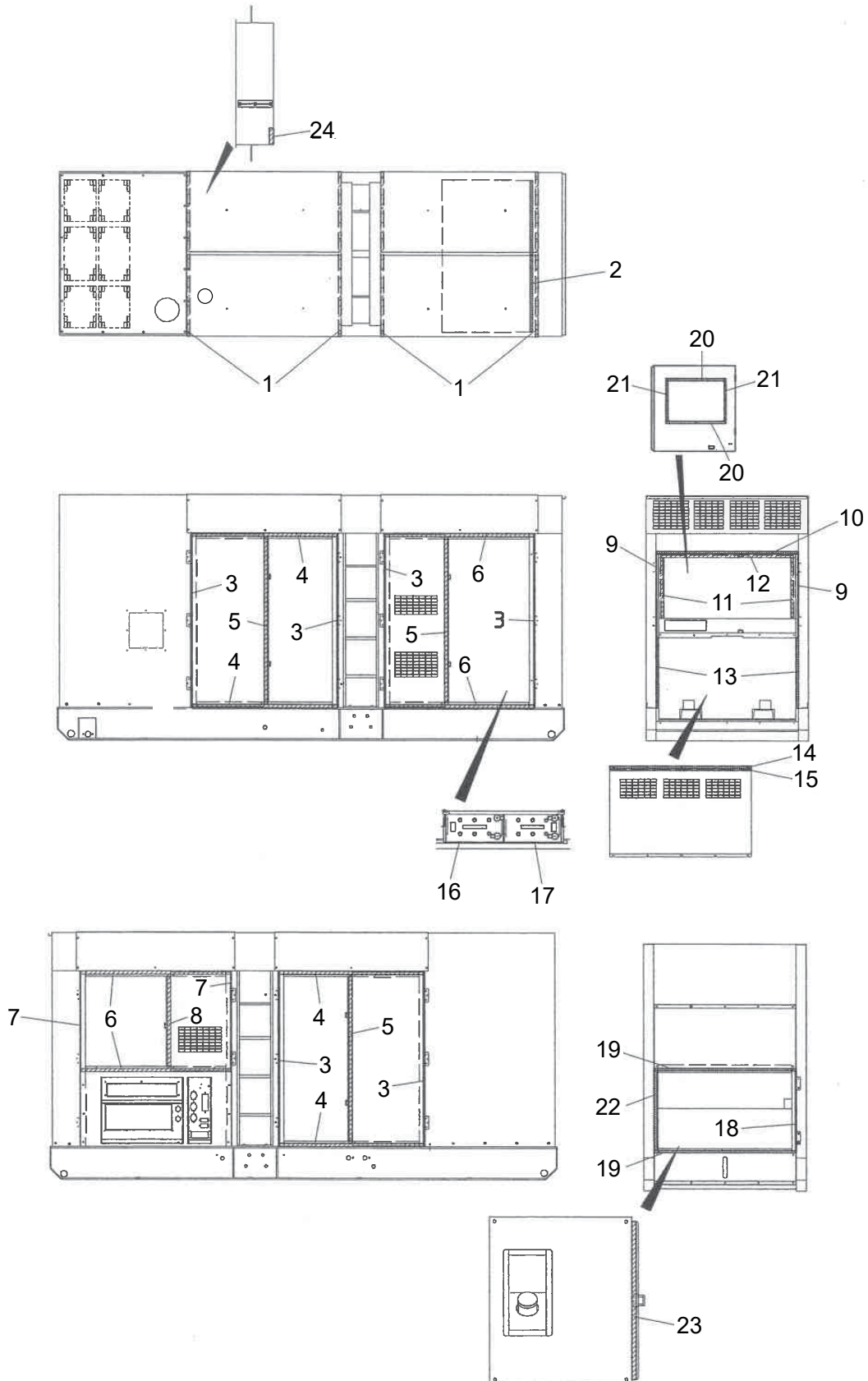
1-ORANGE	6-CATERPILLAR YELLOW
2-WHITE	7-CATO GOLD
3-SPECTRUM GREY	8-RED
4-SUNBELT GREEN	9-DESERT TAN
5-BLACK	

THE SERIAL NUMBER MAY BE REQUIRED.

ENCLOSURE SIDE ASSY. (CONT'D.)

<u>NO.</u>	<u>PART NO.</u>	<u>PART NAME</u>	<u>QTY.</u>	<u>REMARKS</u>
21	B9114000002	DOOR HANDLE	4	
22	M9113000102	DOOR HANDLE.....	3.....	REPLACES P/N 0825007362
23	0021806015	MACHINE SCREW	28	
23A	020106050	HEX. NUT	28.....	REPLACES P/N 0030006000
24	0845046904	HINGE	11	
24A	0845045004	WASHER	11	
25	0845047004	HINGE	11	
25A	0845045004	WASHER	11	
26	0019208020	HEX. HEAD BOLT	51	
27	0601850097	STOPPER	15	
28	0025408025	MACHINE SCREW	15	
29	0845031504	CAP	22	
30	0019108055	HEX. HEAD BOLT, DCA400SSI4F	1	
30A	0042308000	WASHER, LOCK, DCA400SSI4F	1	
30B	0401450080	WASHER, FLAT, DCA400SSI4F.....	1.....	REPLACES P/N 0042408000
30C	0080200007	SNAP RING	1	
30D	0019208055	HEX. HEAD BOLT, DCA400SSI4F3/F3PB	1	

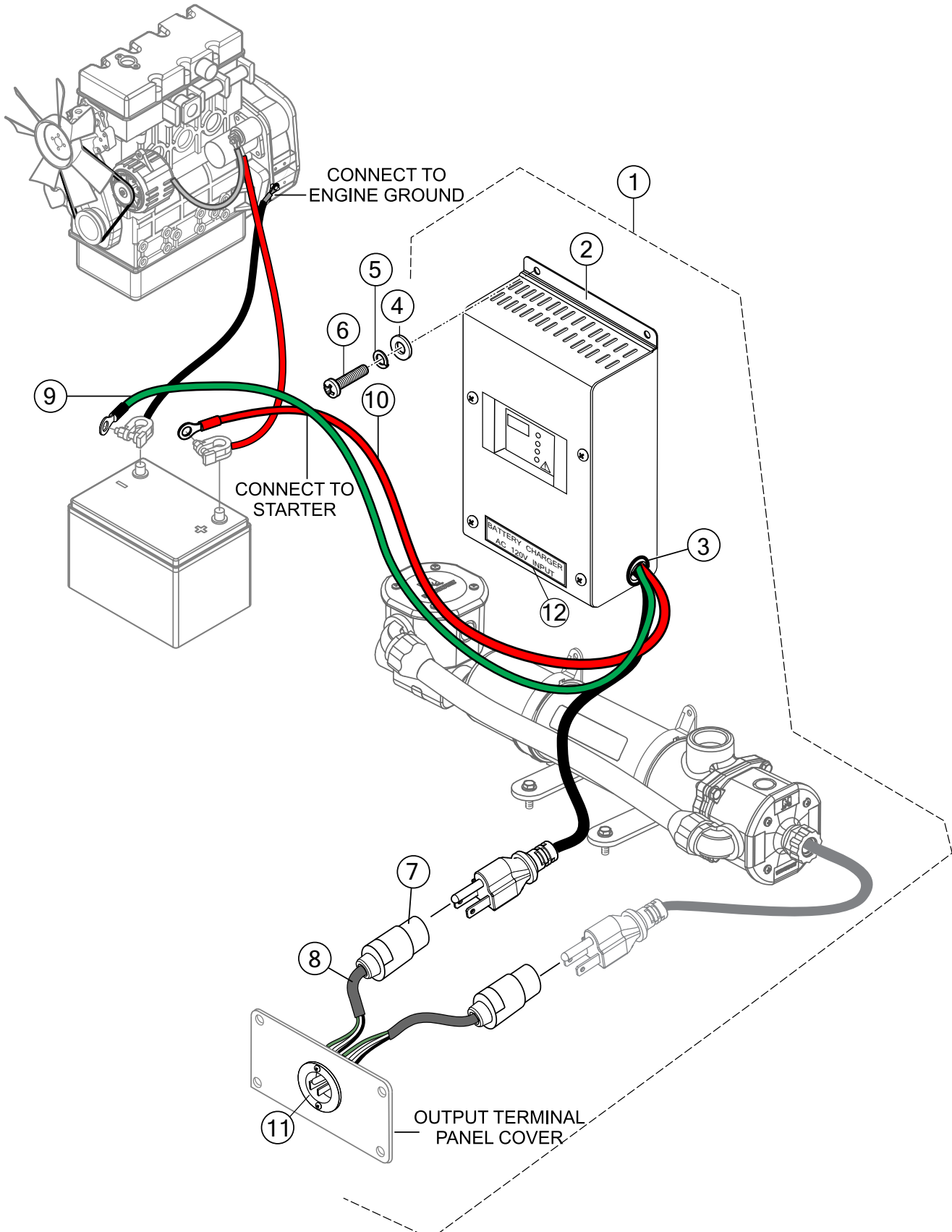
RUBBER SEALS ASSY.



RUBBER SEALS ASSY.

<u>NO.</u>	<u>PART NO.</u>	<u>PART NAME</u>	<u>QTY.</u>	<u>REMARKS</u>
1	Y0229201500	RUBBER SEAL	4	
2	Y0228801385	RUBBER SEAL	1	
3	Y0228901600	RUBBER SEAL	6	
4	0228901310	RUBBER SEAL	4	
5	Y0228901540	RUBBER SEAL	3	
6	0228901350	RUBBER SEAL	4	
7	0228901000	RUBBER SEAL	2	
8	0228900940	RUBBER SEAL, DCA400SSI4F	1	
8	0228900860	RUBBER SEAL, DCA400SSI4F3/F3PB	1	
9	0221200795	RUBBER SEAL	2	
10	Y0228801310	RUBBER SEAL	1	
11	0229200560	RUBBER SEAL	2	
12	0229201230	RUBBER SEAL	1	
13	Y0314700645	RUBBER SEAL	2	
14	Y0229201310	RUBBER SEAL	1	
15	Y0229401310	RUBBER SEAL	1	
16	Y0223300280	RUBBER SEAL	1	
17	0223300710	RUBBER SEAL	1	
18	Y0229400765	RUBBER SEAL	2	
19	Y0228801305	RUBBER SEAL, DCA400SSI4F	2	
19	Y0228801315	RUBBER SEAL, DCA400SSI4F3/F3PB	2	
20	0228100560	RUBBER SEAL	2	
21	0228100370	RUBBER SEAL	2	
22	Y0228800725	RUBBER SEAL	1	
23	Y0229400715	RUBBER SEAL	1	
24	0223300150	RUBBER SEAL	1	

BATTERY CHARGER ASSY. (OPTION)



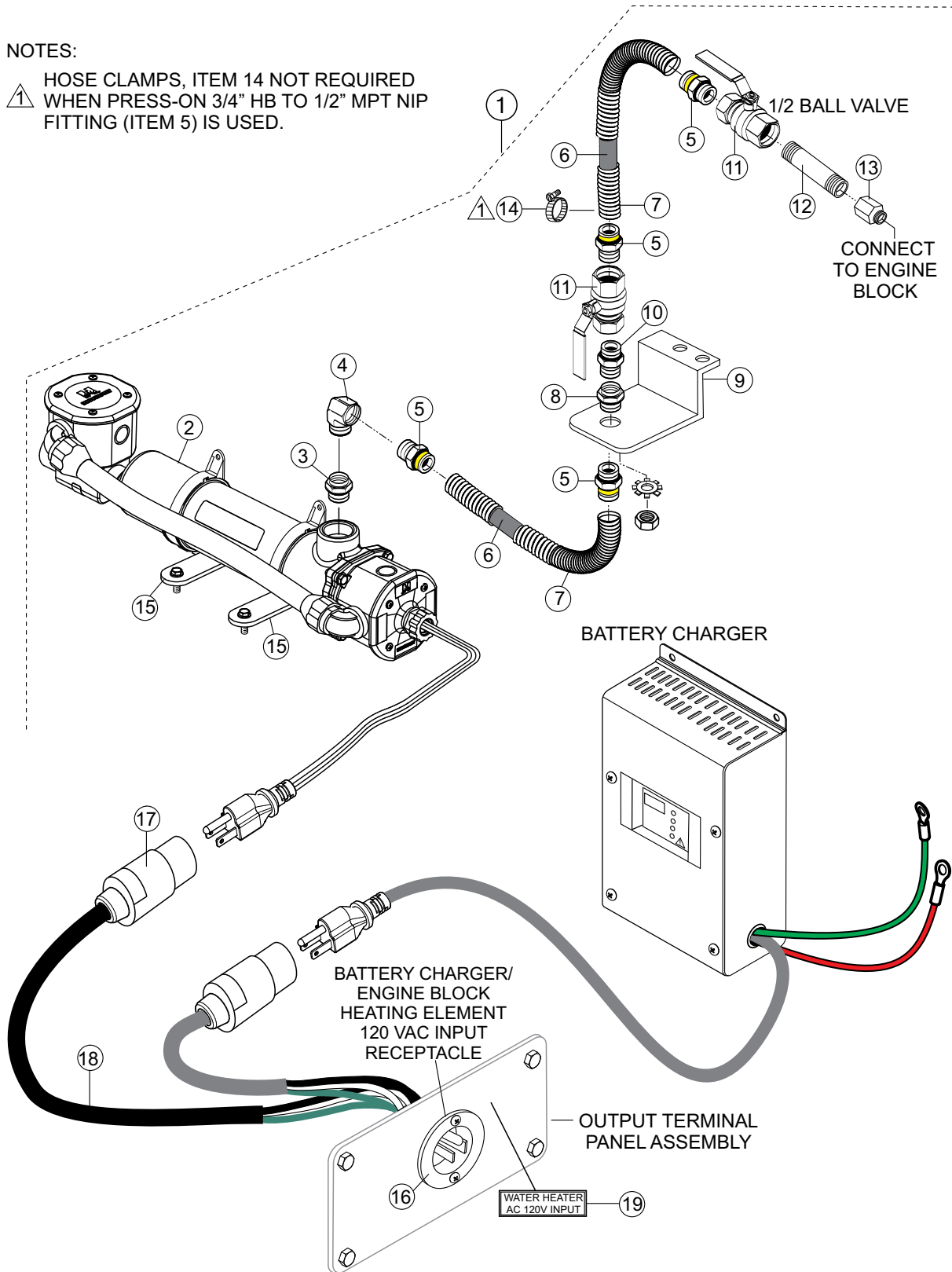
BATTERY CHARGER ASSY. (OPTION)

<u>NO.</u>	<u>PART NO.</u>	<u>PART NAME</u>	<u>QTY.</u>	<u>REMARKS</u>
1	MQPBCKIT-H	BATTERY CHARGER KIT	1.....	INCLUDES ITEMS W/%
2%	EE57370	CHARGER, 10A 12/24V NRG BATTERY	1	
3%		GROMMET, 7/8" HOLE SIZE.....	1.....	OBTAIN LOCALLY
4		WASHER, FLAT M4.....	4.....	OBTAIN LOCALLY
5		WASHER, LOCK M4.....	4.....	OBTAIN LOCALLY
6		SCREW, M4 X 10	4.....	OBTAIN LOCALLY
7%	HBL5369C	CONNECTOR, 20AMP, 125V	1	
8%	EE56557	CORD, 3-CONDUCTOR, 14 AWG (10 FT.)	10.....	1 PC = 1 FT
9		WIRE, 16 AWG GREEN	AR.....	OBTAIN LOCALLY
10		WIRE, 16 AWG RED.....	AR.....	OBTAIN LOCALLY
11%	HBL5278C	INLET FLANGE 15AMP NEMA, 125V	1	
12%	M1940011014Q	DECAL, BATTERY CHARGER	1	

JACKET WATER HEATER ASSY. (OPTION)

NOTES:

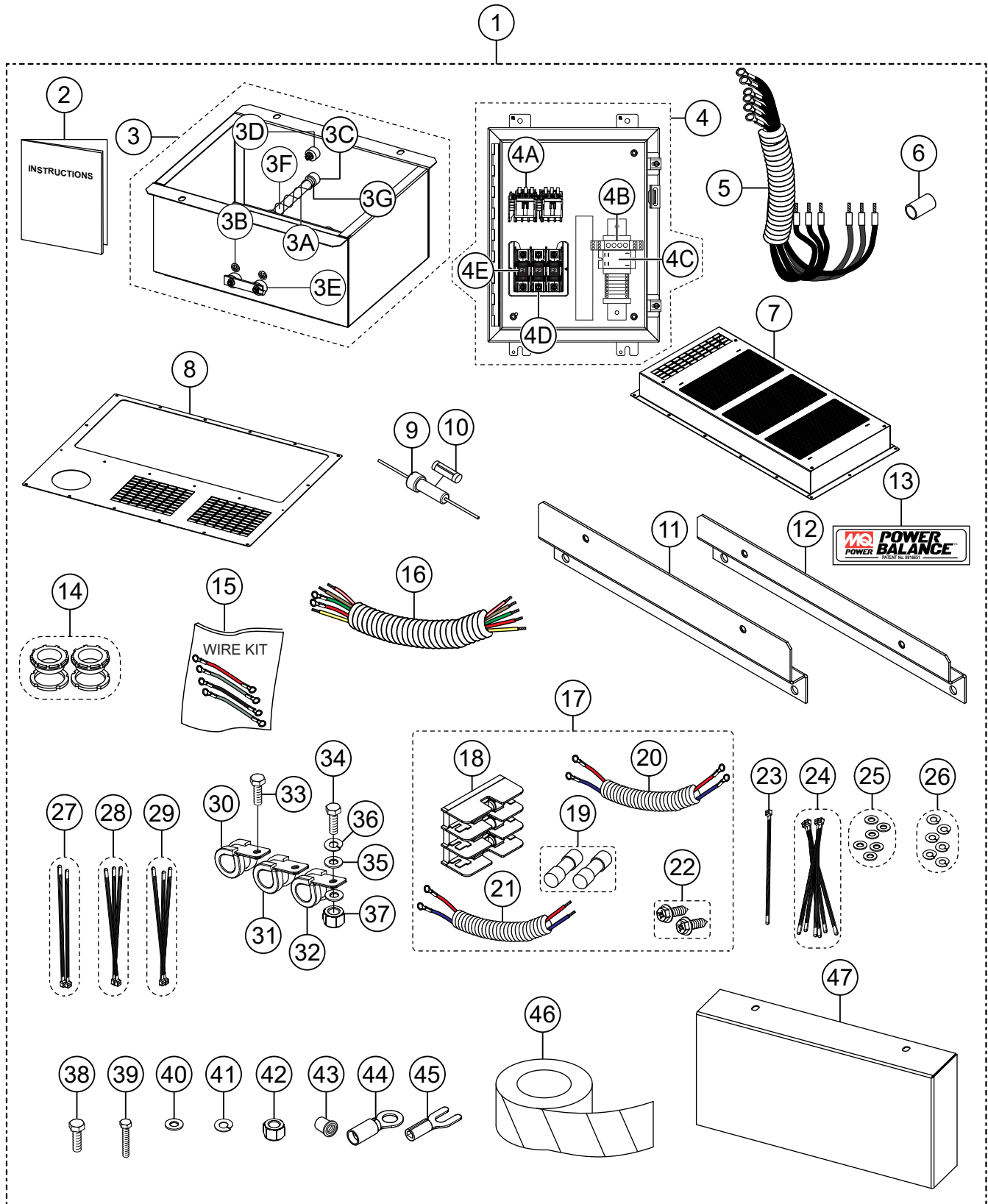
⚠ HOSE CLAMPS, ITEM 14 NOT REQUIRED WHEN PRESS-ON 3/4" HB TO 1/2" MPT NIP FITTING (ITEM 5) IS USED.



JACKET WATER HEATER ASSY. (OPTION)

<u>NO.</u>	<u>PART NO.</u>	<u>PART NAME</u>	<u>QTY.</u>	<u>REMARKS</u>
1	MQPHEAT400IFKIT	BLOCK HEATER KIT	1.....	INCLUDES ITEMS W/%
2%	SB120110-200	WATER HEATER, 2000W, 120VAC	2	
3%		BUSHING	1	
4%		90° ELBOW	1	
5%		3/4" HB TO 1/2" MPT NIP	4	
6%		HEATER HOSE 8 FT (2.4 M)	1	
7%		SPLIT-LOOM 8 FT (2.4 M)	1	
8%	EE17203	BULKHEAD FITTING, BRASS 1/2" NPT	1	
9%	EE58448	BRACKET ALUMINUM BLOCK HEATER	1	
10%		REDUCER	1	
11%		1/2" BALL VALVE	2	
12%		1/2" X 6 PIPE EXTENSION	1	
13%		METRIC ADAPTER, 7045.8.18	1.....	PARKER
14%		HOSE CLAMP #10	6	
15%	EE58449	BRACKET ALUM. BLOCK HEATER ANGLE	1	
16%	HBL5378C	INLET FLANGE 20AMP NEMA	1	
17%	HBL5369C	CONNECTOR, 20AMP, 125V	1	
18%	EE56557	CORD, 3-CONDUCTOR, 14 AWG (2 FT.)	1.....	1 PC = 1 FT
19%	M1940011005Q	DECAL, WATER HEATER	1	

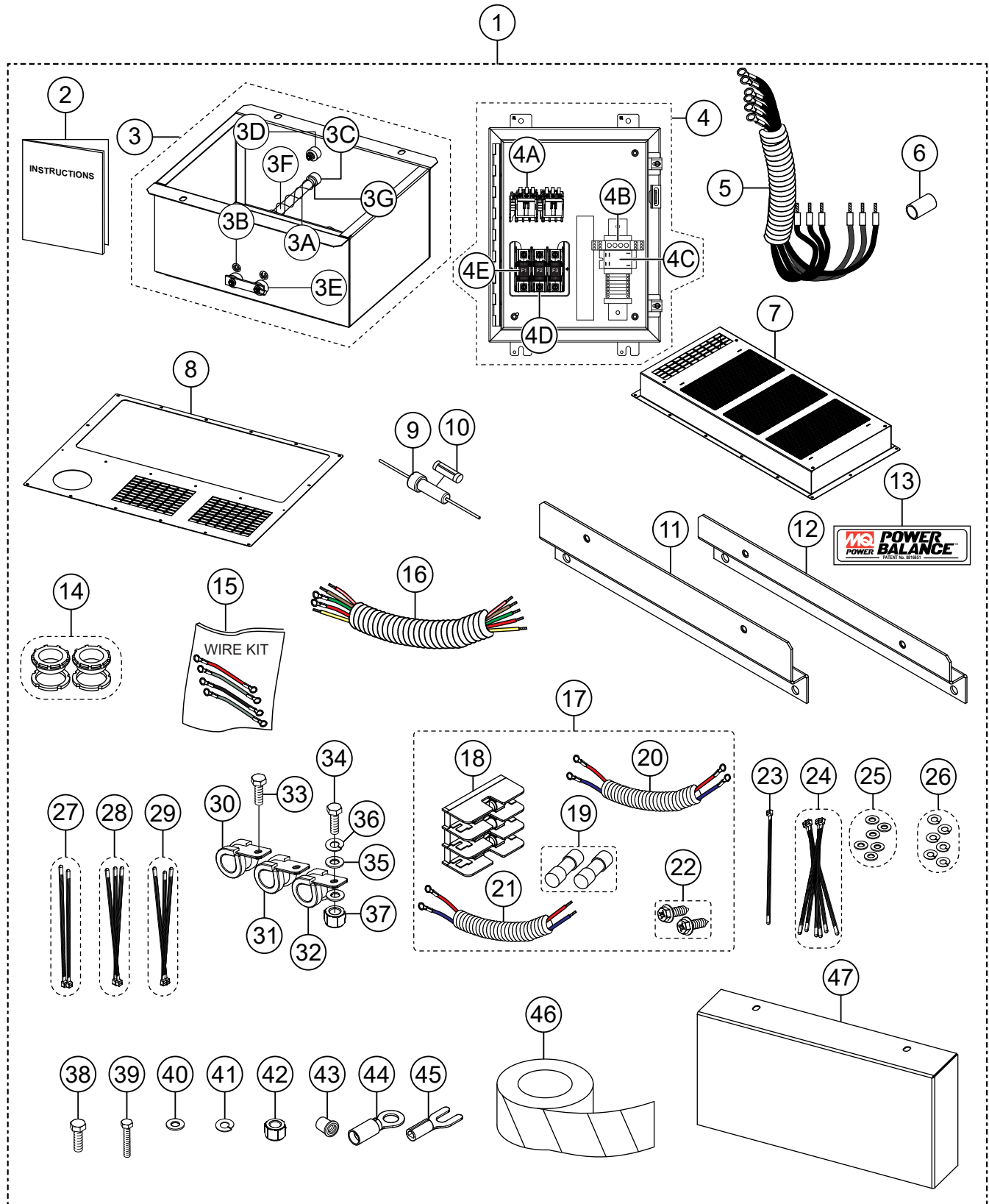
POWER BALANCE ASSY. (OPTION)



POWER BALANCE ASSY. (OPTION)

<u>NO.</u>	<u>PART NO.</u>	<u>PART NAME</u>	<u>QTY.</u>	<u>REMARKS</u>
1	MQPPB400I4F	KIT, POWER BALANCE	1.....	INCLUDES ITEMS W/# CONTACT SALES DEPT.
2#	EE59141	INSTRUCTIONS, POWER BALANCE	1	
3#	EE59083	RESISTOR ASSY., 112 KW.....	1.....	INCLUDES ITEMS W/%
3A%#	L1073-RE	RESISTOR ELEMENT, L1073-RA	12	
3B%#	LBD538/L1073-RA	ELEMENT ROD L1073-RA	12	
3C%#	P0267	CERAMIC INSULATOR	28	
3D%#	C0010-8	CERAMIC SPACER	48	
3E%#	P0273-4	INSULATOR, TERMINAL, 1/4	24	
3F%#	P0073-516R	INSULATOR, L3 STEATITE EXTRUDED	168	
3G%#	LBD163	PR END SPRING HARDWARE	28	
4#	EE60406	CONTACTOR ASSY., 112 KW	1.....	REPLACES P/N EE59143 INCLUDES ITEMS W/\$
4A\$#	LBD961	CONTACTOR, 3 POLE, 150A, 24VDC	2	
4B\$#	LBD1056	RELAY, VOLTAGE CONTROL, 460V	1	
4C\$#	LBD502	RELAY, DPDT, 12 VDC	2	
4D\$#	LBD560	FUSE HOLDER, 3 PHASE, 400A, 1000V	3	
4E\$#	LBD962	FUSE	3	
5#	EE59144	WIRE HARNESS, POWER BALANCE	1	
6#	EE60087	SLEEVE	24.....	1 PC = 1 FT
7#	EE61556	W/A RESISTOR COVER LOW PROFILE	1	
8#	EE61546	W/A ROOF PANEL POWER BALANCE	1	
9#	303110	IN-LINE FUSE HOLDER.....	1.....	INCLUDES ITEM W/%
10#%		FUSE, 10 AMP (AGC10)	1.....	NOT SOLD SEPARATELY
11#	EE60395	BRACKET, CONTACTOR TOP	1	
12#	EE60396	BRACKET, CONTACTOR BOTTOM	1	
13#	EE61332	DECAL, POWER BALANCE	1	
14#	EE58339	BUSHING, INSULATED W/ NUT	2	
15#	EE59891	POWER CABLES, 112 KW	1	
16#	EE59893	WIRE HARNESS, DC	1	
17#	EE60176	SENSING KIT HARNESS.....	1.....	INCLUDES ITEMS W/\$
18#\$	EE5759	BLOCK, MIDGET FUSE TYPE, 3 POLE	1	
19#\$	EE5804	FUSE, GOLD SHAWMUT, 10A	2	
20#\$	EE60164	HARNESS, 6 FT.	1	
21#\$	EE60165	HARNESS, 2 FT.	1	
22#\$		SELF TAPPING SCREW, 8-1/2"	2	

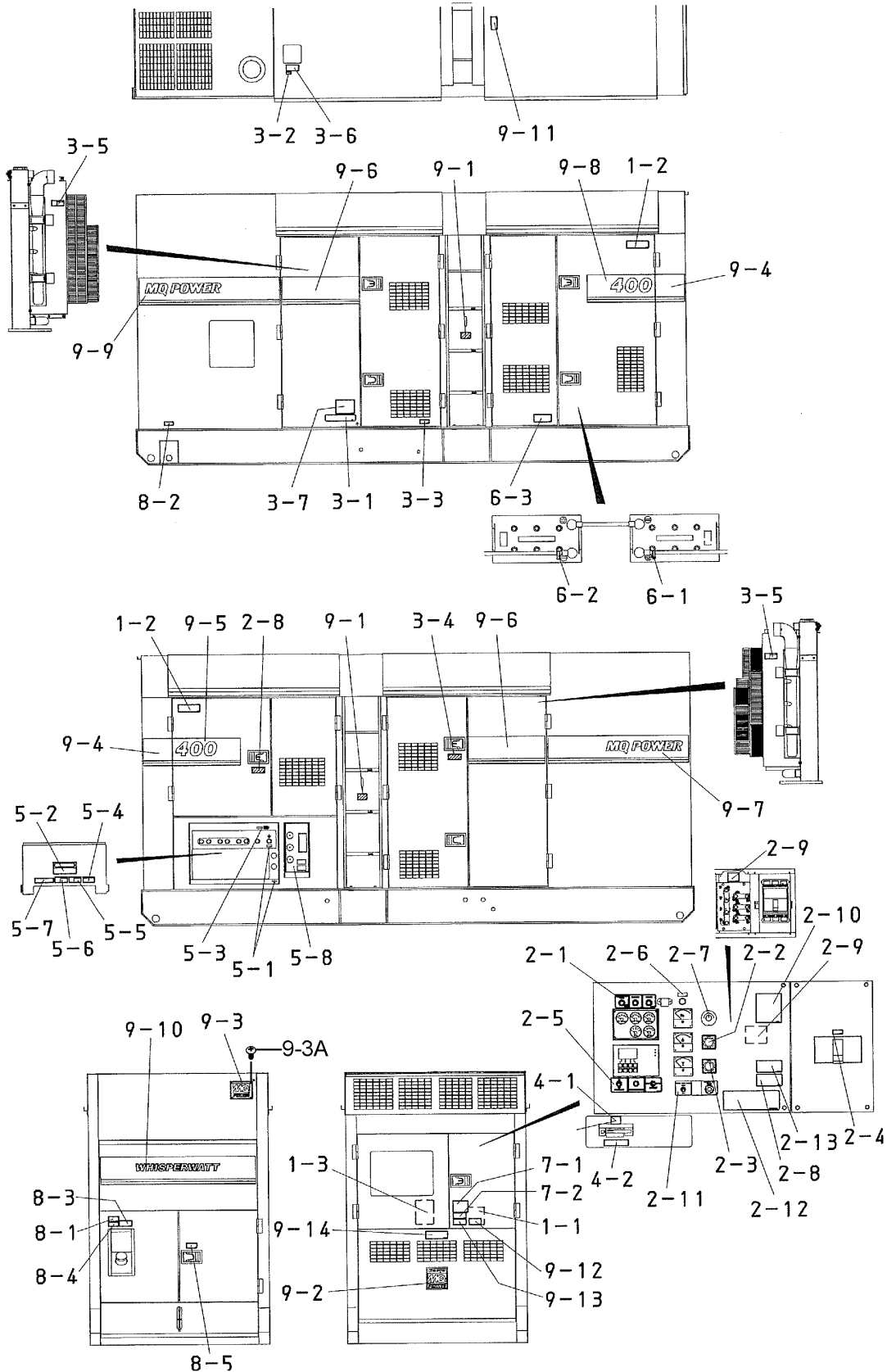
POWER BALANCE ASSY. (OPTION) CONT'D.



POWER BALANCE ASSY. (OPTION) CONT'D.

<u>NO.</u>	<u>PART NO.</u>	<u>PART NAME</u>	<u>QTY.</u>	<u>REMARKS</u>
23#		ZIP TIE, METAL	1	
24#		ZIP TIE, METAL	6	
25#		WASHER, FLAT, M6 SS	6	
26#		WASHER, LOCK, M6 SS	6	
27#		TIE WRAP, #4	2	
28#		TIE WRAP, #6	3	
29#		TIE WRAP, #8	3	
30#		G-CLAMP, #32 (2")X1/4" HOLE	1	
31#		G-CLAMP, #32 (2")X3/8" HOLE	1	
32#		G-CLAMP, #38 (2-3/8")X1/4" HOLE	1	
33#		SCREW, 1/4-20X1" SS	1	
34#		SCREW, 1/4-20X1.5" SS	1	
35#		WASHER, FLAT 1/4" SS	2	
36#		WASHER, LOCK 1/4" SS	1	
37#		HEX NUT, 1/4-20 SS	1	
38#		SCREW, M8X15MM SS	1	
39#		SCREW, M6X35MM SS	1	
40#		WASHER, FLAT M8 SS	1	
41#		WASHER, LOCK M8 SS	1	
42#		HEX NUT, M8 SS	1	
43#		RIVET NUT INSERT, M8	1	
44#		RING TERMINAL, 14-16 GA X #10	1	
45#		SPADE TERM., 1/4" INS. FEM. 14-16 AWG	1	
46#	EE9925	INSULATION GASKET TAPE	20.....	1 PC = 1 FT
47#	EE62010	BAFFLE, POWER BALANCE RESISTOR	1	

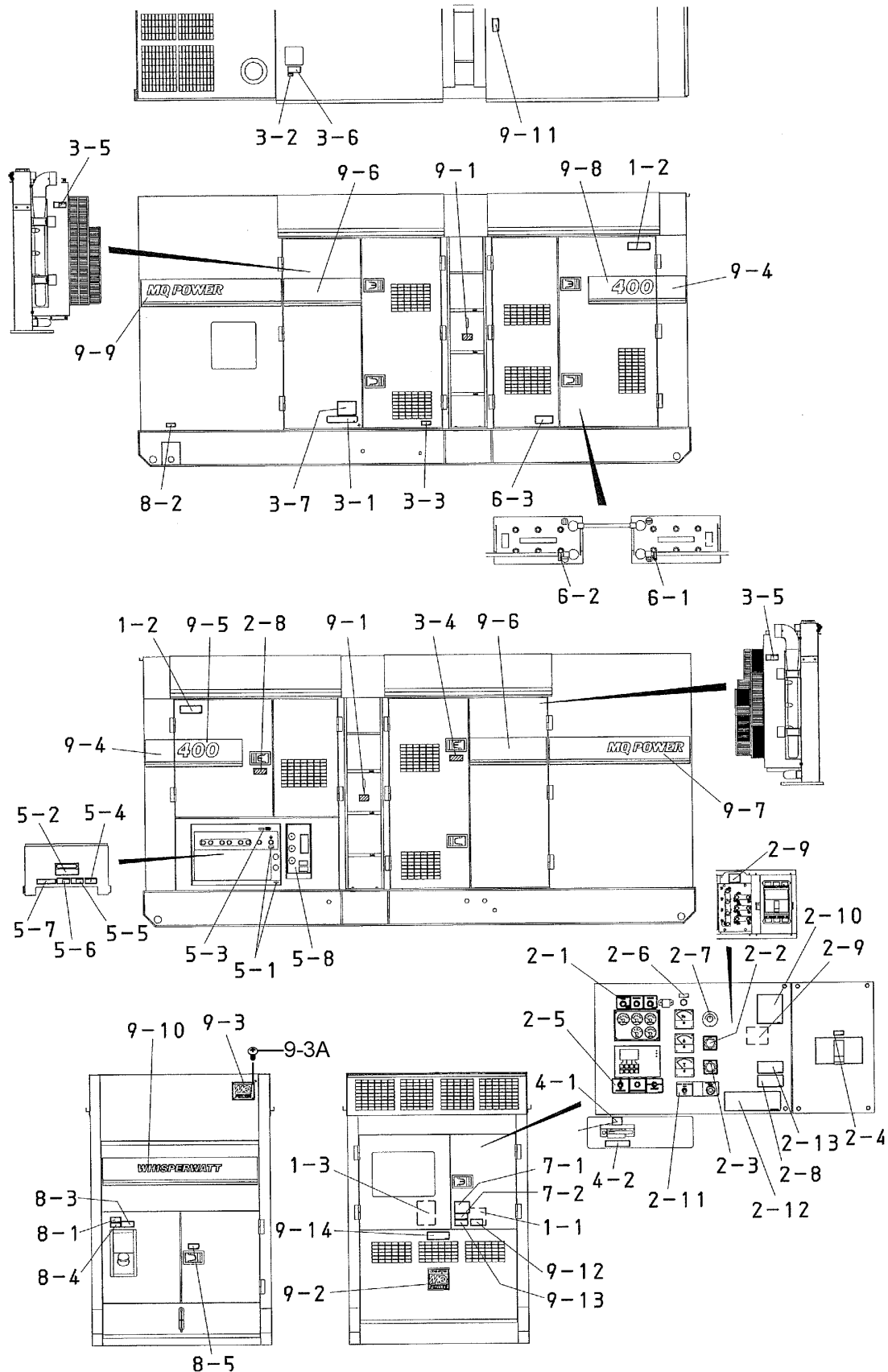
NAMEPLATE AND DECALS ASSY. (DCA400SSI4F)



NAMEPLATE AND DECALS ASSY. (DCA400SSI4F)

<u>NO.</u>	<u>PART NO.</u>	<u>PART NAME</u>	<u>QTY.</u>	<u>REMARKS</u>
1-1	C3551004203	DECAL: HANDLING PROCEDURES	1.....	C35100420
1-2	C9522100003	DECAL: CAUTION	2.....	C92210000
1-3	C3551004703	DECAL: SCR PURGE SYSTEM.....	1.....	C35100470
CONTROL BOX GROUP				
2-1	C3551004604	DECAL: COOLANT LEVEL ALARM,	1.....	C35100460 PRE-ALARM, SHUTDOWN
2-2	W0800520904	PLATE: AMMETER CHANGE-OVER SW.	1.....	N-2438
2-3	W0800520814	PLATE: VOLT. CHANGE-OVER SWITCH	1.....	N-2439
2-4	W0840624504	DECAL: CIRCUIT BREAKER	1.....	S-3031
2-5	C3551004503	DECAL: PANEL LIGHT, HOUR CHECK	1.....	C35100450 BUTTON, STARTER
2-6	W0840624704	DECAL: PILOT LAMP	1.....	S-3033
2-7	W0840624804	DECAL: VOLTAGE REGULATOR.....	1.....	S-3034
2-8	B9531100604	DECAL: WARNING ELEC. SHOCK HAZARD ..	2.....	B93110060
2-9	M9520200504	DECAL: SETTING FOR OUTPUT VOLT.(S)	2.....	M92020050
2-10	C2551000004	DECAL: SAFETY INSTRUCTIONS	1.....	C25100000
2-11	C3551004403	DECAL: ENGINE SPEED SWITCH.....	1.....	C35100440 EMERGENCY STOP BUTTON
2-12	C3561001403	DECAL: WHISPERWATT 400	1.....	C36100140
2-13	M9520100704	DECAL: WARNING ARC FLASH.....	1.....	M92010070
ENGINE AND RADIATOR GROUP				
3-1	W1320610603	DECAL: WATER-OIL	1.....	S-1760
3-2	W6360610304	DECAL: WATER	1.....	S-1880
3-3	W6360620204	DECAL: OIL DRAIN PLUG	1.....	S-1885
3-4	B9504000304	DECAL: CAUTION HOT PARTS	1.....	B90400030
3-5	B9504000404	DECAL: WARNING MOVING PARTS	2.....	B90400040
3-6	B9504100104	DECAL: WARNING HOT COOLANT	1.....	B90410010
3-7	C3551004103	DECAL: AIR BLEEDING PROCEDURE	1.....	C35100410
ENGINE OPERATING PANEL GROUP				
4-1	C0551000504	DECAL: BATTERY SWITCH.....	1.....	C05100050
4-2	C9521024804	DECAL: ON-OFF BATTERY SWITCH	1.....	C92102480
OUTPUT TERMINAL GROUP				
5-1	W0840614104	DECAL: GROUND	2.....	S-2635
5-2	W0840619904	DECAL: DANGER HIGH VOLTAGE	1.....	S-2731
5-3	W9039209064	DECAL: START CONTACT	1.....	S-4468
5-4	B9511100304	DECAL: WARNING	1.....	B91110030
5-5	B9511100404	DECAL: WARNING ELEC. SHOCK HAZARD ...	1.....	B91110040
5-6	B9531100504	DECAL: WARNING ELEC. SHOCK HAZARD ..	1.....	B93110050
5-7	C0551000404	DECAL: 3-PHASE OUTPUT TERMINAL	1.....	C05100040A
5-8	C1551000803	DECAL: RECEPT. AND CIRCUIT BREAKER....	1.....	C15100080

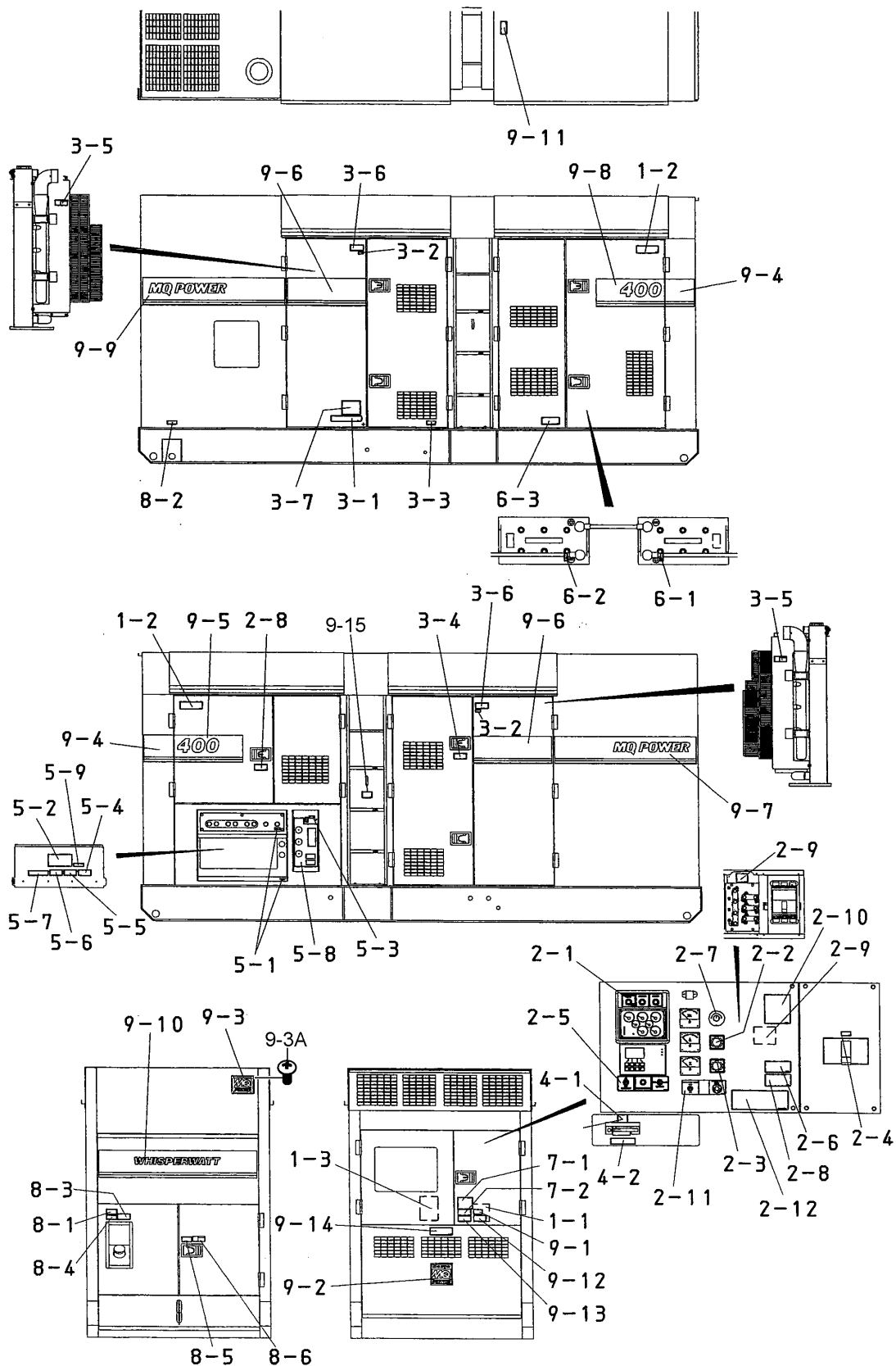
NAMEPLATE AND DECALS ASSY. (DCA400SSI4F CONT'D.)



NAMEPLATE AND DECALS ASSY. (DCA400SSI4F CONT'D.)

NO.	PART NO.	PART NAME	QTY.	REMARKS
BATTERY GROUP				
6-1	W0800689404	DECAL: +	1.....	S-2090
6-2	W0800689504	DECAL: -	1.....	S-2091
6-3	C9505300004	DECAL: CAUTION	1.....	C90530000
MUFFLER GROUP				
7-1	A9504000014	DECAL: DANGER.....	1.....	A90400001
7-2	B9504200004	DECAL: WARNING ENGINE EXHAUST	1.....	B90420000
FUEL TANK GROUP				
8-1	B9504501214	DECAL: DIESEL FUEL	1.....	B90450121
8-2	W6360620004	DECAL: FUEL DRAIN PLUG	1.....	S-1883
8-3	B9504500004	DECAL: WARNING DIESEL FUEL	1.....	B90450000
8-4	M9504500004	DECAL: REFILL DEF AS WELL	1.....	M90450000
8-5	M9501500104	DECAL: DIESEL EXHAUST FLUID	1.....	M90150010
ENCLOSURE GROUP				
9-1	W1320621504	DECAL: SUPPORT HOOK	2.....	S-2257
9-2	W0840625902	DECAL: MQ	1.....	S-3057
9-3	Y0600500092	EMBLEM	1	
9-3A	Y0021106015	MACHINE SCREW	4	
9-4	C2561101204	STRIPE	2	
9-5	03561100203	STRIPE	1	
9-6	C3561101904	STRIPE	2	
9-7	C3561101603	STRIPE	1	
9-8	C3561100803	STRIPE	1	
9-9	C3561101703	STRIPE	1	
9-10	C3561102003	STRIPE	1	
9-11	C9504000304	DECAL: CAUTION	1.....	C90400030
9-12	M9504200004	DECAL: WARNING START FIRES	1.....	M90420000
9-13	C9504200504	DECAL: CAUTION	1.....	C90420050
9-14	M9511200103	DECAL: TIER 4F	1.....	M91120010

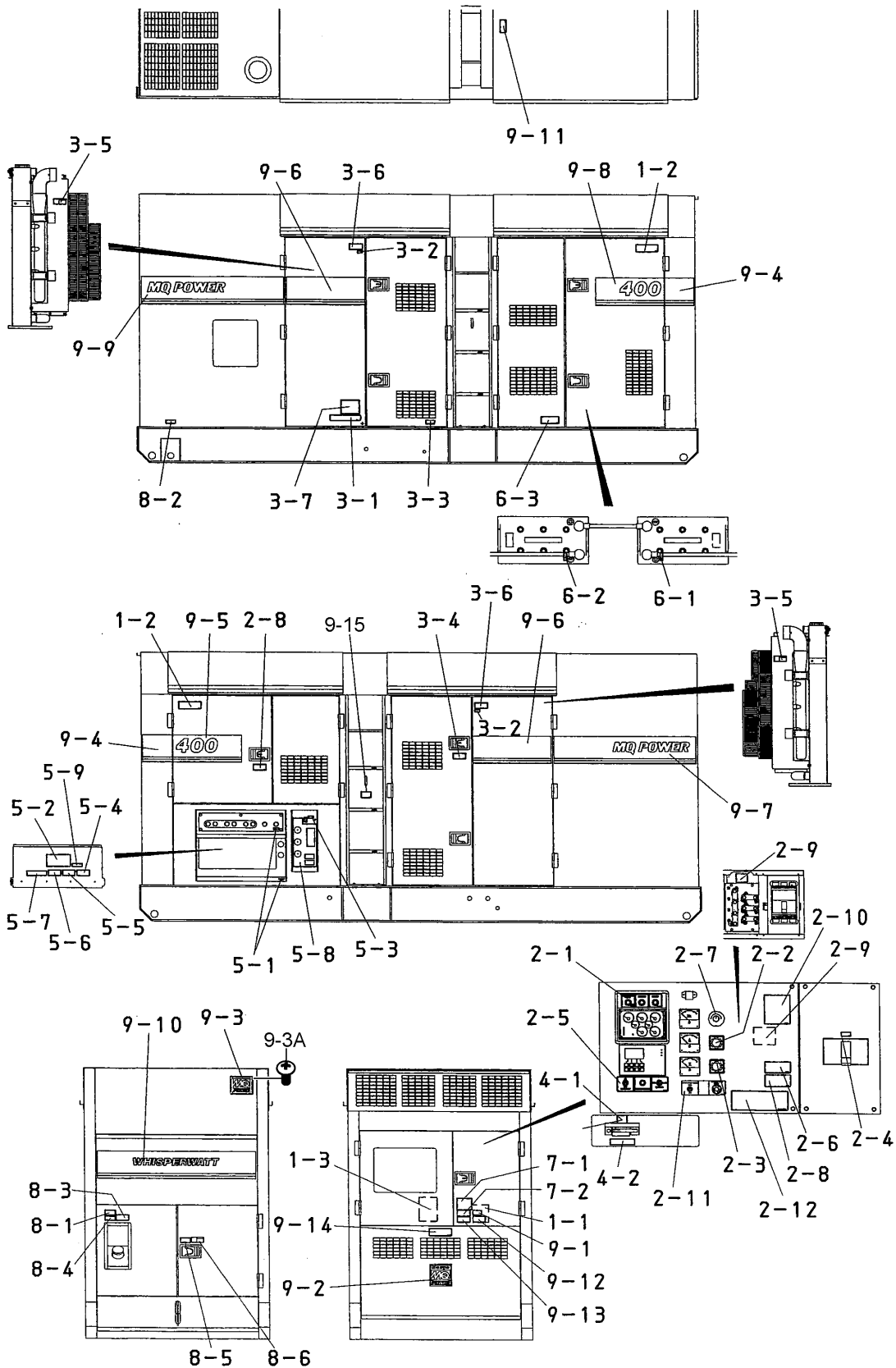
NAMEPLATE AND DECALS ASSY. (DCA400SSI4F3)



NAMEPLATE AND DECALS ASSY. (DCA400SSI4F3)

<u>NO.</u>	<u>PART NO.</u>	<u>PART NAME</u>	<u>QTY.</u>	<u>REMARKS</u>
1-1	C3551005903	DECAL: HANDLING PROCEDURES	1.....	C35100590
1-2	C9522100003	DECAL: CAUTION	2.....	C92210000
1-3	C3551004703	DECAL: SCR PURGE SYSTEM.....	1.....	C35100470
CONTROL BOX GROUP				
2-1	C3551004603	DECAL: COOLANT LEVEL ALARM,	1.....	C35100460
		PRE-ALARM, SHUTDOWN		
2-2	W0800520904	PLATE: AMMETER CHANGE-OVER SWITCH .1.....		N-2438
2-3	W0800520814	PLATE: VOLT. CHANGE-OVER SWITCH	1.....	N-2439
2-4	W0840624504	DECAL: CIRCUIT BREAKER	1.....	S-3031
2-5	C3551004503	DECAL: PANEL LIGHT, HOUR CHECK	1.....	C35100450
		BUTTON, STARTER		
2-6	W0840624704	DECAL: PILOT LAMP	1.....	S-3033
2-7	W0840624804	DECAL: VOLTAGE REGULATOR.....	1.....	S-3034
2-8	B9531100604	DECAL: WARNING ELEC. SHOCK HAZARD ...2.....		B93110060
2-9	M9520200504	DECAL: SETTING FOR OUTPUT VOLT. (S)2.....		M92020050
2-10	C2551000004	DECAL: SAFETY INSTRUCTIONS	1.....	C25100000
2-11	C3551004403	DECAL: ENGINE SPEED SWITCH,	1.....	C35100440
		EMERGENCY STOP BUTTON		
2-12	C3561001403	DECAL: WHISPERWATT 400	1.....	C36100140
ENGINE AND RADIATOR GROUP				
3-1	W1320610603	DECAL: WATER-OIL.....	1.....	S-1760
3-2	W6360610304	DECAL: WATER	1.....	S-1880
3-3	W6360620204	DECAL: OIL DRAIN PLUG	1.....	S-1885
3-4	B9504000304	DECAL: CAUTION HOT PARTS	1.....	B90400030
3-5	B9504000404	DECAL: WARNING MOVING PARTS	2.....	B90400040
3-6	B9504100104	DECAL: WARNING HOT COOLANT	1.....	B90410010
3-7	C3551004103	DECAL: AIR BLEEDING PROCEDURE	1.....	C35100410
ENGINE OPERATING PANEL GROUP				
4-1	C0551000504	DECAL: BATTERY SWITCH.....	1.....	C05100050
4-2	C9521024804	DECAL: ON-OFF BATTERY SWITCH	1.....	C92102480
OUTPUT TERMINAL GROUP				
5-1	W0840614104	DECAL: GROUND	2.....	S-2635
5-2	W0840619904	DECAL: DANGER HIGH VOLTAGE	1.....	S-2731
5-3	W9039209064	DECAL: START CONTACT	1.....	S-4468
5-4	B9511100304	DECAL: WARNING	1.....	B91110030
5-5	B9511100404	DECAL: WARNING ELEC. SHOCK HAZARD ...1.....		B91110040
5-6	B9531100504	DECAL: WARNING ELEC. SHOCK HAZARD ...1.....		B93110050
5-7	C0551000404	DECAL: 3-PHASE OUTPUT TERMINAL.....	1.....	C05100040A
5-8	C3551005703	DECAL: RECEPTACLE & CIRCUIT BREAKER 1.....		C35100570
5-9	M9521200604	DECAL: BONDED NEUTRAL.....	1.....	M92120060

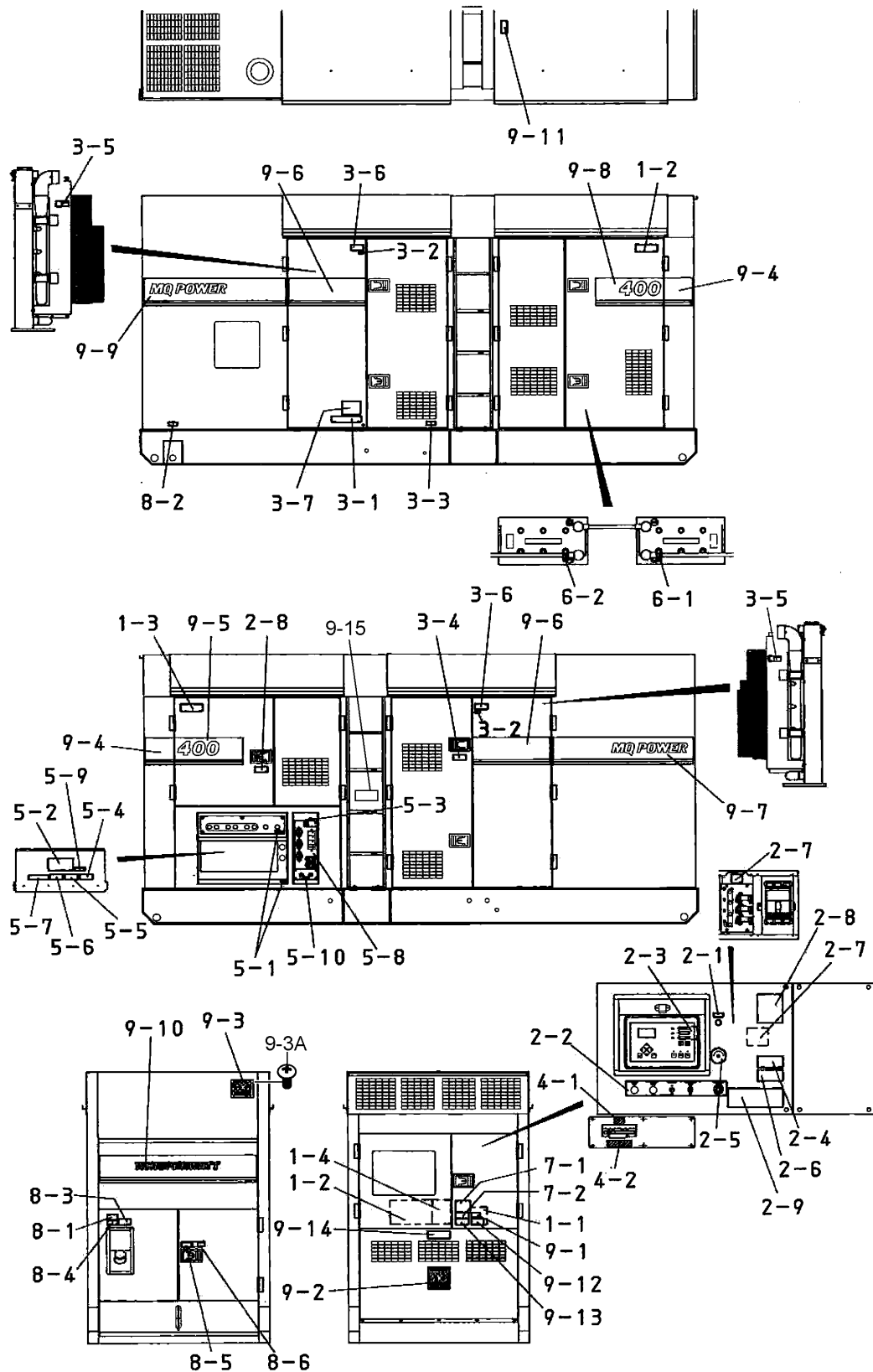
NAMEPLATE AND DECALS ASSY. (DCA400SSI4F3 CONT'D.)



NAMEPLATE AND DECALS ASSY. (DCA400SSI4F3 CONT'D.)

<u>NO.</u>	<u>PART NO.</u>	<u>PART NAME</u>	<u>QTY.</u>	<u>REMARKS</u>
BATTERY GROUP				
6-1	W0800689404	DECAL: +	1.....	S-2090
6-2	W0800689504	DECAL: -	1.....	S-2091
6-3	C9505300004	DECAL: CAUTION	1.....	C90530000
MUFFLER GROUP				
7-1	A9504000014	DECAL: DANGER.....	1.....	A90400001
7-2	B9504200004	DECAL: WARNING ENGINE EXHAUST	1.....	B90420000
FUEL TANK GROUP				
8-1	B9504501214	DECAL: DIESEL FUEL	1.....	B90450121
8-2	W6360620004	DECAL: FUEL DRAIN PLUG	1.....	S-1883
8-3	B9504500004	DECAL: WARNING DIESEL FUEL	1.....	B90450000
8-4	M9504500004	DECAL: REFILL DEF AS WELL	1.....	M90450000
8-5	M9501500104	DECAL: DIESEL EXHAUST FLUID	1.....	M90150010
8-6	M9541100004	DECAL: CAUTION EXHAUST FLUID ONLY.....	1.....	M94110000
ENCLOSURE GROUP				
9-1	A9511101304	DECAL: WARNING PROPOSITION 65	1.....	A91110130
9-2	W0840625902	DECAL: MQ	1.....	S-3057
9-3	Y0600500092	EMBLEM	1	
9-3A	Y0021106015	MACHINE SCREW	4	
9-4	C2561101204	STRIPE	2	
9-5	03561100203	STRIPE	1	
9-6	C3561101904	STRIPE	2	
9-7	C3561101603	STRIPE	1	
9-8	C3561100803	STRIPE	1	
9-9	C3561101703	STRIPE	1	
9-10	C3561102003	STRIPE	1	
9-11	C9504000604	DECAL: CAUTION	1.....	C90400060
9-12	M9504200004	DECAL: WARNING START FIRES	1.....	M90420000
9-13	C9504200504	DECAL: CAUTION	1.....	C90420050
9-14	M9511200103	DECAL: TIER 4F	1.....	M91120010
9-15	W1320621504	DECAL: SUPPORT HOOK	2.....	S-2257

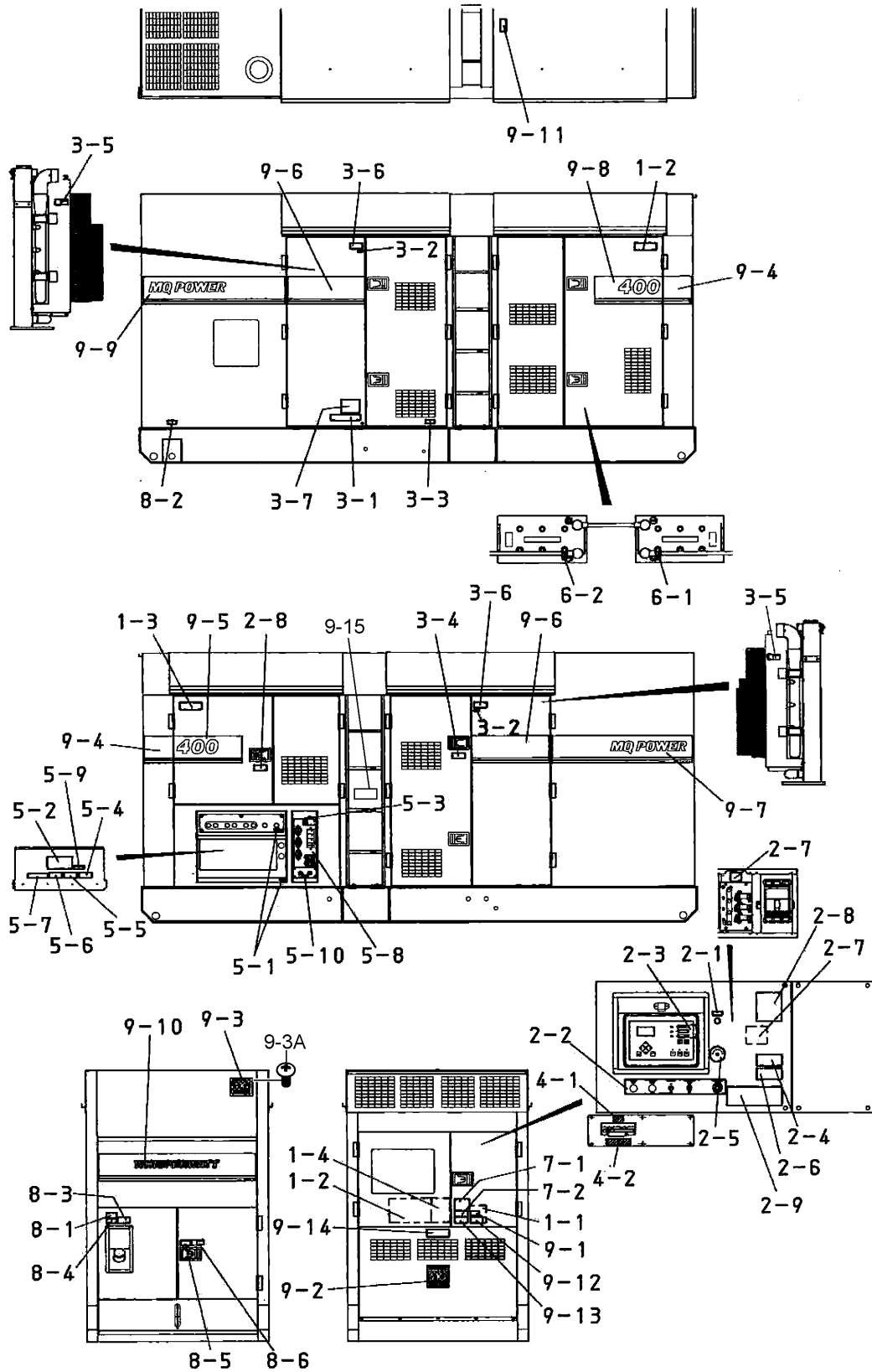
NAMEPLATE AND DECALS ASSY. (DCA400SSI4F3PB)



NAMEPLATE AND DECALS ASSY. (DCA400SSI4F3PB)

NO.	PART NO.	PART NAME	QTY.	REMARKS
1-1	C3551006203	DECAL: HANDLING PROCEDURES	1.....	C35100620
1-2	C3551005503	DECAL: PROCED. FOR PARALLEL OPS.....	1.....	C35100550
1-3	C9522100003	DECAL: CAUTION	2.....	C92210000
1-4	C3551005303	DECAL: SCR PURGE SYSTEM.....	1.....	C35100530
CONTROL BOX GROUP				
2-1	W0840624704	DECAL: PILOT LAMP	1.....	S-3033
2-2	C3551005203	DECAL: CONTROL PANEL	1.....	C35100520A
2-3	C3551005604	DECAL: GENSET CONTROL PACKAGE	1.....	C35100560
2-4	M9520100704	DECAL: WARNING ARC FLASH.....	1.....	M92010070
2-5	W0840624804	DECAL: VOLTAGE REGULATOR.....	1.....	S-3034
2-6	B9531100604	DECAL: WARNING ELEC. SHOCK HAZ.....	2.....	B93110060
2-7	M9520200504	DECAL: SETTING FOR OUTPUT VOLT.(S)	2.....	M92020050
2-8	C2551000004	DECAL: SAFETY INSTRUCTIONS	1.....	C25100000
2-9	C3561001403	DECAL: WHISPERWATT 400.....	1.....	C36100140
ENGINE AND RADIATOR GROUP				
3-1	W1320610603	DECAL: WATER-OIL.....	1.....	S-1760
3-2	W6360610304	DECAL: WATER.....	1.....	S-1880
3-3	W6360620204	DECAL: OIL DRAIN PLUG	1.....	S-1885
3-4	B9504000304	DECAL: CAUTION HOT PARTS	1.....	B90400030
3-5	B9504000404	DECAL: WARNING MOVING PARTS	2.....	B90400040
3-6	B9504100104	DECAL: WARNING HOT COOLANT	1.....	B90410010
3-7	C3551004103	DECAL: AIR BLEEDING PROCEDURE.....	1.....	C35100410
ENGINE OPERATING PANEL GROUP				
4-1	C0551000504	DECAL: BATTERY SWITCH.....	1.....	C05100050
4-2	C9521024804	DECAL: ON-OFF BATTERY SWITCH	1.....	C92102480
OUTPUT TERMINAL GROUP				
5-1	W0840614104	DECAL: GROUND	2.....	S-2635
5-2	W0840619904	DECAL: DANGER HIGH VOLTAGE	1.....	S-2731
5-3	W9039209064	DECAL: START CONTACT	1.....	S-4468
5-4	B9511100304	DECAL: WARNING	1.....	B91110030
5-5	B9511100404	DECAL: WARNING ELEC. SHOCK HAZ.....	1.....	B91110040
5-6	B9531100504	DECAL: WARNING ELEC. SHOCK HAZ.....	1.....	B93110050
5-7	C0551000404	DECAL: 3-PHASE OUTPUT TERMINAL	1.....	C05100040A
5-8	C3551005703	DECAL: RECEPT. AND CIRCUIT BREAKER....	1.....	C35100570
5-9	M9521200604	DECAL: BONDED NEUTRAL	1.....	M92120060
5-10	C9521011704	DECAL: RECEPT. FOR PARALLEL OPS.	1.....	C92101170

NAMEPLATE AND DECALS ASSY. (DCA400SSI4F3PB CONT'D.)



NAMEPLATE AND DECALS ASSY. (DCA400SSI4F3PB CONT'D.)

NO.	PART NO.	PART NAME	QTY.	REMARKS
BATTERY GROUP				
6-1	W0800689404	DECAL: +	1.....	S-2090
6-2	W0800689504	DECAL: -	1.....	S-2091
MUFFLER GROUP				
7-1	A9504000014	DECAL: DANGER.....	1.....	A90400001
7-2	B9504200004	DECAL: WARNING ENGINE EXHAUST	1.....	B90420000
FUEL TANK GROUP				
8-1	B9504501214	DECAL: DIESEL FUEL.....	1.....	B90450121
8-2	W6360620004	DECAL: FUEL DRAIN PLUG.....	1.....	S-1883
8-3	B9504500004	DECAL: WARNING DIESEL FUEL.....	1.....	B90450000
8-4	M9504500004	DECAL: REFILL DEF AS WELL	1.....	M90450000
8-5	M9501500104	DECAL: DIESEL EXHAUST FLUID.....	1.....	M90150010
8-6	M9541100004	DECAL: CAUTION EXHAUST FLUID ONLY.....	1.....	M94110000
ENCLOSURE GROUP				
9-1	A9511101304	DECAL: WARNING PROPOSITION 65	1.....	A91110130
9-2	W0840625902	DECAL: MQ	1.....	S-3057
9-3	Y0600500092	EMBLEM	1	
9-3A	Y0021106015	MACHINE SCREW	4	
9-4	C2561101204	STRIPE	2	
9-5	03561100203	STRIPE	1	
9-6	C3561101904	STRIPE	2	
9-7	C3561101603	STRIPE	1	
9-8	C3561100803	STRIPE	1	
9-9	C3561101703	STRIPE	1	
9-10	C3561102003	STRIPE	1	
9-11	C9504000604	DECAL: CAUTION.....	1.....	C90400060
9-12	M9504200004	DECAL: WARNING START FIRES	1.....	M90420000
9-13	C9504200504	DECAL: CAUTION.....	1.....	C90420050
9-14	M9511200103	DECAL: TIER 4F.....	1.....	M91120010
9-15	W1320621504	DECAL: SUPPORT HOOK.....	2.....	S-2257