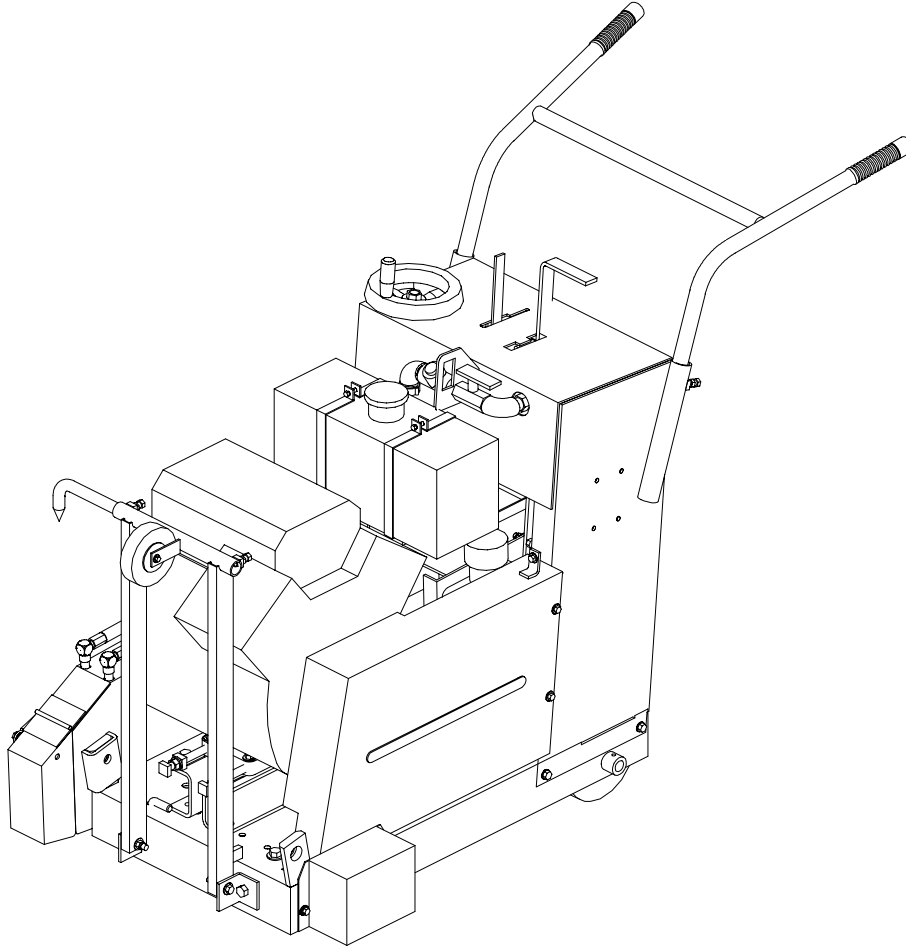


# OWNERS MANUAL

## MEDIUM CONCRETE SAWS



**MODELS:**  
**C143**  
**C163**  
**C203**  
**SERIES 03**

FORM 6278 3/96

***clipper***

## WARRANTY

Norton warrants all products manufactured by it against defects in workmanship or materials for a period of one (1) year from the date of shipment to the customer.

The responsibility of Norton under this warranty is limited to replacement or repair of defective parts at Norton's Gainesville, Georgia factory, or at a point designated by it, of such part as shall appear to us upon inspection at such point, to have been defective in material or workmanship, with expense for transportation borne by the customer.

In no event shall Norton be liable for consequential or incidental damages arising out of the failure of any product to operate properly.

Integral units such as **gasoline engines, electric motors, batteries, tires, transmissions, etc.**, are excluded from this warranty and are subject to the prime manufacturer's warranty.

This warranty is in lieu of all other warranties, expressed or implied, and all such other warranties are hereby disclaimed.

**Important: Before placing equipment in operation, record the following information.**

**MODEL:** \_\_\_\_\_ **SERIAL NO.** \_\_\_\_\_

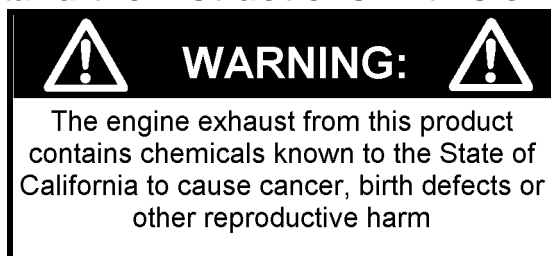
**PURCHASE FROM:** \_\_\_\_\_

**ADDRESS:** \_\_\_\_\_

**CITY** \_\_\_\_\_ **STATE** \_\_\_\_\_ **ZIP** \_\_\_\_\_

**TELEPHONE NO.** \_\_\_\_\_

***Before using this equipment, make sure that person using it read and understand the instructions in this owners manual.***



# Table Of Contents

CONTENTS	PAGE
<b>I. Preparation</b>	
A. Safety Precautions	4-5
B. Assembly	6
C. Engine Specifications	6
D. Pointer Alignment	7
<b>II. Operation</b>	
A. Blade Installation	7
B. Starting The Engine	8
C. Water Supply	8
D. Operating The Saw	8-9
E. Cutting Technique	9
F. Lead-Off Adjustment	10
<b>III. Maintenance</b>	
A. Motor	10-11
B. Bearings	12
C. V-Belts	12-13
D. Depth Control	13
E. Transmission	13-14
F. Self-Propelling Unit	15
G. Changing The Blade Cutting Side	16
<b>IV. Parts List Section</b>	
Belt And Pulley Chart	17
A. Ordering Information	18
Blade Size Conversion Chart	19
Assembly Drawing	20
B. Service Parts	21-23
C. Kohler Service Centers	24



## Read Owners Manual Before Use

Safety Alert Symbol: Information Following This Symbol Is Very Important.

# I. PREPARATION

## A. Safety Precautions

**Important! The following safety precautions must always be observed.**

### Hazard Symbols



Fuel (gasoline) is extremely flammable and its vapors can explode if ignited. Store gasoline only in approved containers, in well ventilated , unoccupied areas approved, and away from sparks or flames. Don not fill the saw fuel tank while the engine is hot or running. Do not start the engine near spilled fuel. Never use the fuel as a cleaning agent



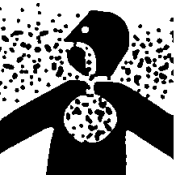
Engine components can get extremely hot from operation. To prevent burns, do not touch the engine are or related parts while the engine is running or immediately after it is turned off. Never operate the engine with any heat shields or guards removed.



Keep all guard in place when operating any piece of equipment



Keep hands, feet, hair, and clothing away from all rotating parts



Lethal Exhaust Gas use only in well ventilated areas. Engine exhaust gases contain poisonous carbon monoxide which is orderless, colorless, and can cause death if inhaled. Avoid inhaling exhaust fumes, and never run the engine in a closed building or confined area



Never tamper with the governor components of settings to increase the maximum speed. Severe personal injury and damage to the engine or equipment or equipment can result if operated at speed above maximum. Always obey the maximum speed rating of blade.



**DO NOT LIFT THE SAW BY THE HANDLE BARS**

Use Approved:



**Eye Protection**



**Hearing  
Protection**



**Respiratory  
Protection**



**Head Protection**

1. Before mounting any blade on the saw, the blade should be inspected for any damage which might have occurred during shipment, handling or previous use.
2. The blade collars and arbors should be cleaned and examined for damage before mounting the blade.
3. The blade must be properly fitted over the arbor with the drive pin on the outside collar projecting through the drive pin hole on the blade and inside collar.
4. The blade shaft nut, which is a left hand thread nut, must be tightened securely against the outside blade shaft collar.
5. The blade must be operated within the specified maximum operating speed listed on the blade.
6. Turn water control valve to full to provide adequate coolant (5 to 8 gallons per minute) for diamond blades and wet cutting abrasive blades. Insufficient coolant could result in severe blade breakage or diamond segment separation.
7. The blade guard must be in place with the nose guard down and locked when the saw is running.
8. The operator should wear safety glasses and any other appropriate safety equipment.
9. When starting the saw, the operator should stand away and to the side of the blade.
10. If for any reason the saw should stall in the cut, raise the blade out of the cut. Check the outside blade shaft collar and nut for tightness. Inspect the blade for damage before restarting the saw. User caution when resuming a cut. Be certain that the blade is in alignment with the previous cut.
11. During cutting operations, do not exert excess side pressure on the handles as a method of steering. Do not force the blade into the cut by lowering the blade too fast or by pushing the saw too fast.



**You Are Responsible For Your Safety!!!**

## **I. PREPARATION**

### **B. Assembly**

The compact concrete saws are shipped completely assembled and ready for use except for diamond blade, gasoline, and oil. Inspect the saw for shipping damage. Remove the saw from the pallet. Reverse the position of the handle bars so that the hand grip is facing the operator and adjust to desired height. Read and understand the remaining sections of this Owners Manual.

### C. Engine Specifications

Saw Model	C143	C163	C203
Engine Mfg.	KOHLER	KOHLER	KOHLER
Horse Power	14	16	20
Model	M14S	M16S	CH20
Spec No.	PA 601535	PA711545	PA 64560
Engine Type	Single Cylinder 4 Cycle	Twin Cylinder 4 Cycle	Twin Cylinder 4 Cycle
Cooling System	Air	Air	Air
Oil Capacity	4.0 Pints	4.0 Pints	4.0 Pints
Fuel Capacity	1.8 Gallons	1.8 Gallons	2.0 Gallons
Low Oil Sensor	Yes	Yes	Yes

***Prior to attempting to operate the engine, read the information contained in the engine owner's manual. An engine owners manual is supplied with every gasoline powered concrete saw.***

1. **Check Oil:** Add oil if low. Refer to the engine owner's manual for the recommended SAE viscosity grades.
2. **Check Fuel:** Fill if low. For both the Kohler and Honda engine, regular grade unleaded gasoline with a pump sticker octane rating of 86 or higher is recommended. **Never use an oil and gasoline mixture!**
3. **Air Cleaner:** Never run the engine without the air cleaner! Rapid engine wear will result from contaminants being drawn through the carburetor and into the engine.
4. **Engine Starting:** Refer to the engine owner's manual for proper engine starting procedure.

### D. Pointer Alignment

1. Use a straight edge, and carefully mark a line 12 feet long on a smooth level surface.

2. Place the saw blade on the marked line, move the saw on that it is located in the center of the marked line and then lower the blade until it is about 1/16" above the marked line
3. Measure from each end of the saw frame to insure that the frame is parallel to the marked line. Adjust the saw as needed.
4. With the blade centered on the marked line and the saw frame parallel to the marked line lower the front pointer.
5. Adjust the pointer rod unit it is aligned with the marked line.

## **II. OPERATION**

### **A. Installing the Blade**

1. Disconnect the spark plug and then insert the Blade Shaft Locking Pin into the Blade Shaft Locking hole.
2. Remove the blade shaft nut, (Turn clockwise) , and remove the outside collar.
3. Clean off any foreign particles on the clamping surfaces of both collars and on the mounting surface of the blade.
4. Place the blade on the blade shaft, lining up the drive pin hole in the blade with the drive pin hole in the inside collar.
5. Slide the outside blade shaft collar onto the blade shaft . The drive pin on the outside collar must project through the drive pin hole in the blade and into the inside collar.
6. Tighten the blade shaft nut (counter-clockwise) securely against the outside collar and remove the Blade Shaft Locking Pin.
7. Reconnect the spark plug.

### **B. Starting the Engine**

1. Refer to the engine owner's manual for the proper starting procedures.
2. Always cut with engine rpm in the full throttle setting.

### **C. Water Supply**

Turn the water control to full "ON" when using wet cutting blades.

## **D. Operating The Saw**

1. For the engine starting instructions see the Engine manual and follow the instructions located in section A. Installing the Blade of the II. Operation heading for Blade installation instructions.
2. Check the Engine Oil level.
3. Disengage the Self-propelling unit by moving the Transmission Engage/Disengage lever fully forward and place the Speed Control in the neutral position. (For Self-propelled models)
4. Raise the saw to the full upright position. Do not let the blade come in contact with the ground.
5. Maneuver the saw to the desired starting point.
6. If wet cutting connect the water supply to the saw.
7. Follow the instructions for starting the engine found in the Engine manual.
8. If wet cutting turn on the water supply at the source and then open the water valves on the saw. Make sure that there is a minimum of two gallons per minute of water flow!!
9. Be sure that the engine is running at full throttle!!!
10. Slowly lower the blade by rotating the hand wheel counter-clockwise until the desired depth of cut is reached. Use a reasonable rate of feed. Do not force the blade in to the cut!!
11. For Self-propelled models move the Transmission Engage/Disengage lever by fully to the Engage position and \ then slowly push the Speed Control forward until the desired speed is reached. If the engine begins to stall or the saw raises out of the cut slow the forward speed down!! The further the lever is pushed the fast the saw will move.
12. When the end of the cut is reached, slowly raise the blade out of the cut by rotating the Hand Wheel Clockwise until the blade is at least one (1) inch above the ground.
13. To use reverse, move the saw move the Speed Control lever to the rear of the saw. Only move the saw in reverse with the blade in the raise

position. Always place the speed control back in the neutral position after moving the saw.

14. When moving the saw to a new location be sure that the blade is not touching the ground and always pay close attention to where you are moving and where the blade is at all times.
15. To disengage the transmission, place the Speed Control in the Neutral position and then slide the Transmission Engage/Disengage lever by fully to the “Disengage” position.



**Caution: Do Not Engage Or Disengage The Transmission While The Machine Is In The Forward Or Reverse Positions!**

## **E. Cutting Technique**

Lower the blade into the concrete to the required depth by turning the hand wheel counter-clockwise. Ease the handle slowly forward. Retard the forward pressure if the saw begins to stall.

Note: For deeper cuts (4 inches or more), several cuts should be made in incremental steps of 1-1/2 to 2 inches until the desired depth of cut is reached.

Push the saw steadily forward using the front pointer as a guide. Exert enough forward pressure so that the engine begins to labor, but does not slow down. If the saw begins to stall, retard the forward movement until full rpm is restored to the blade. If the saw stalls, raise the blade out of the cut before restarting. Avoid excessive side pressure or twisting of the blade in the cut.

### **Additional Guide Lines For Sawing:**

- Understand and follow all of the instruction in this owners manual.
- If wet cutting, turn on the water supply so that there is a minimum of two gallons per minute of water flow!!

- In critically hard aggregate more than a single pass may be needed to cut the desired depth.
- Only move the Engage/Disengage lever while the transmission speed control is in the neutral position.
- Move the transmission speed control slowly.
- If the saw stalls in the cut, immediately stop the forward speed and raise the blade out of the cut. If this is not done the belts can fail or the blade may be damaged.
- Go slowly with a new blade until it opens up, that is, until the diamonds can be seen and felt.
- If the saw leads off excessively check the contact between the drive rollers and the rear wheels. Small steering corrections may be made by applying slight pressure to the right or left side of the handle bar. The drive rollers will need to be cleaned from time to time.

## F. Lead-Off Adjustment

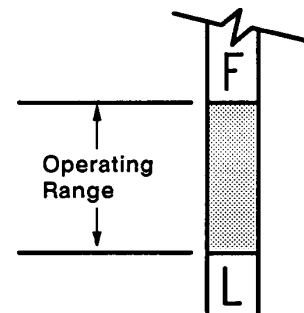
If the saw tends to lead off (cut to one side), it may be steered by applying slight pressure to the left or right hand handles.

## III. MAINTENANCE

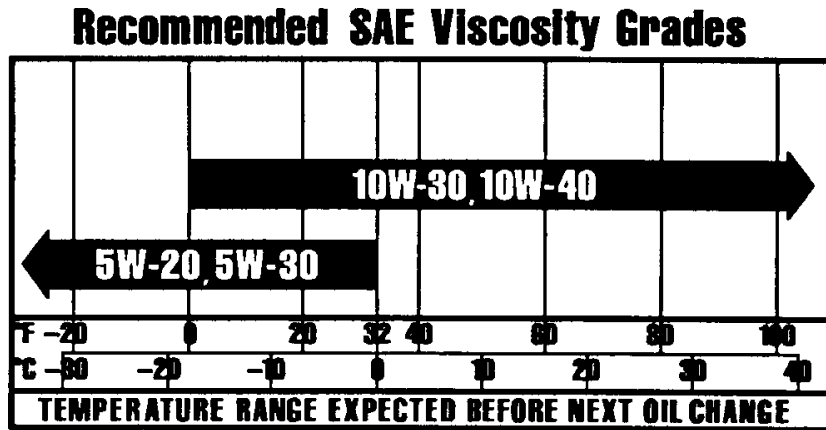
### A. Engine

1. Kohler engine ( refer to owner's manual for complete maintenance.)
  - a). Precleaner: Every 25 operating hours, more often under dusty or dirty conditions, wash and reoil the precleaner.
  - b). Paper Element : Every 100 operating hours, more often under dusty or dirty conditions, clean the paper element.
  - c). Engine Oil: On a new engine change the oil after the first five hours and then every 25 hours thereafter.

Check the engine oil level before each use when the engine is cool and the engine is level. Add oil if the level is low. The oil level should be within the operating range (between F and L) as shown to the right.



Only use a high quality detergent oil of API (American Petroleum Institute) service class of SF or SG. Always select and use a oil SAE viscosity based on the air temperature that the saw will be operated in. The following chart shows oil SAE viscosity recommendations for operating air temperatures.



Always refer to the engine manual for more detailed information on checking the oil, change oil, and oil capacity, air filter changes, and fuel type to use.

## B. Dry Cutting Engine Maintenance

When operating the engine in dry cutting or dusty environments the following is required:

Engine oil changed more often

Every 50 hours (or more often if conditions require) clean all of the engine cooling fins.

Every 25 hours (or more often if conditions require) clean the engine precleaner

Every 100 hours (or more often if conditions require) replace the air filter. If the engine is equipped with a reusable air cleaner, clean and re-oil it.

## B. Bearings

Re lubrication type bearings must be relubricated **daily** to assure long life. The grease used should conform to the NLGI grade two consistency and be free of any chemical impurities such as free acid or free alkali, dust rust, metal particles or abrasives.

For best results, bearings should be relubricated while in operation. **Note: Due caution for personal safety must be observed when servicing rotating equipment.** The grease should be pumped in slowly until a slight bead forms around the seals. This bead, in addition to acting as an indicator of adequate relubrication, provides additional protection against

the entry of foreign matter. If necessary to relubricate while the bearing is idle refer to relubrication table for maximum grease capacity for the various size bearings.

Shaft Size	Maximum Grease Capacity of Bearing Chamber in Ounces
1/2" to 3/4"	1/8
7/8" to 1-3/16"	3/8
1-1/4" to 1-1/2"	5/8

### III. MAINTENANCE

#### C. V-Belts

**Warning: Never make adjustments to belts or pulleys while engine is running!**

1. The best tension for a belt drive is the lowest tension at which the belts will not slip under full load.
2. Simply take up the drive until the belts are snug in the grooves. Run the drive for about 15 minutes to "seat" the belts. Then impose the peak load. If the belts slip tighten them until they no longer slip at peak load.

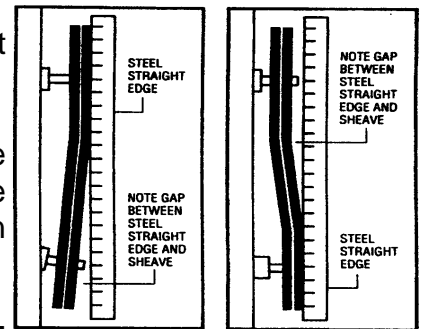


FIGURE 1

FIGURE 2

3. **Remember too much tension shortens belt and bearing life!**
4. Check the belt tension frequently during the first day of operation. Check the belt tension periodically thereafter and make any necessary adjustments.

5. The two most common causes of misalignment are shown in the drawing.

- a). The engine drive shaft and the blade shaft are not parallel.

**FIGURE ONE**

- b). The pulleys are not located properly on the shafts.

**FIGURE TWO**

6. To check alignment , all you need is a steel straight edge .

7. Line up the straight edge along the outside face of both pulleys as shown in the drawing.
8. Misalignment will show up as a gap between the pulley face and the straight edge.
9. Make sure that the width of the outside land is equal on both pulleys.

### **III. MAINTENANCE**

#### **D. Depth Control**

The depth control (raising screw) consists of a threaded rod which feeds into a brass nut . In order to keep the two parts working smoothly it is necessary to keep the rod free from dirt and sludge as much as possible. Cleaning the threaded rod with a rag after each use will prevent sludge from collecting in the tube assembly and protect the threads. It is a good practice to keep the raising screw threads lubricated, as the slurry generated during cutting will cause premature thread wear.

The bearing used to support the raising screw should be checked after each use to make sure it is turning freely and lubricated. If the bearing requires re lubrication a lithium base grease is recommended.

#### **E. Transmission**

Eaton Model 6 Hydrostatic Transmission:

1. Accurate fluid level readings can only be made when the fluid is cold.
2. If the natural color of the fluid has become black or milky, the transmission has over heated or water containment has occurred. Drain and replace the fluid, check the fan and accessory belts, clean the cooling fins, and also check for any fluid leakage. Do not pressure wash the transmission.
3. Use only the proper viscosity and type of fluid. At normal operating temperatures, the optimum viscosity range is between 80-180 SUS (16-40 CS) and it should never fall below 60 SUS (10 CS).
4. The fluid should be chemically stable, incorporating rust and oxidation inhibitors.

<b>Recommended Fluids For Eaton Model 6 Transmissions</b>
---

1.	Mobil Fluid 300
2.	Texaco TL 2209
3.	Dextron B (General Motors)
4.	M2C-33F And M2B-41A (Ford Motor)
5.	Hy-Tran (International Harvester)
6.	10W Straight Viscosity SE, CC, or CD Rated Engine Oil
* 7.	20W Straight Viscosity SE, CC, or CD Rated Engine Oil
8.	30W Straight Viscosity SE, CC, or CD Rated Engine Oil

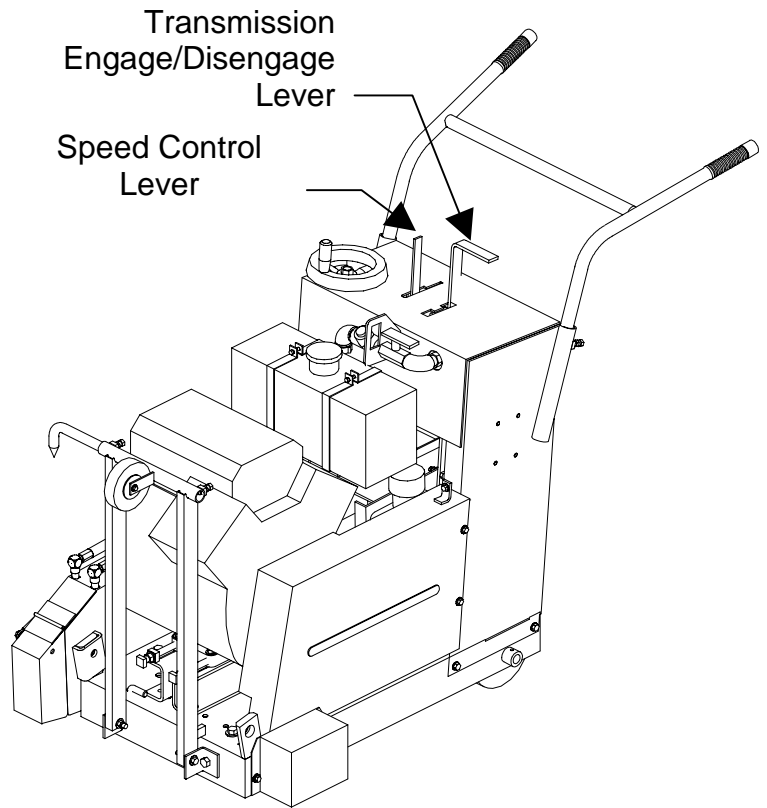
\* Factory Supplied Transmission Fluid

## **F. Self-Propelling Operations**

1. **Speed Control Lever:**  
The operators right hand lever is the speed control lever. Pushing the lever slowly forward will increase the forward speed of the saw. Pulling it to the center will place the saw in neutral. Pulling the saw to the rear of the console (from the neutral) will increase the reverse speed.

2. **Transmission Engage/Disengage Lever:**  
Transmission Engage/Disengage lever has two (2) positions onto which it can be moved: Engaged position (rear) allows the transmission to operate the rear drive wheels by the means of rear wheel friction rollers, the Disengage position (forward) release the rear wheel friction rollers from the rear drive wheel (the saw can be "Free Wheeled" or moved when repositioning the saw or moving it without running the engine. **NOTE: When parking the saw, it should always be left in the Engaged position , Speed Control Lever in the neutral position, the engine OFF, and perpendicular (right angle) to the grade (hill).**

3. **Drive Wheel Adjustment:**  
Keep the chain clean and properly adjusted. To change the engagement pressure of the friction rollers, disengage the transmission and reposition loosen the fasteners that mount this lever to the transmission and readjust the friction rollers so that there is a 1/4" clearance (move the transmission platform up or down) between the friction rollers and the rear wheels. Retighten the mounting hardware.  
Clean the rear friction rollers wheels, slurry will build up on the friction rollers and cause the friction rollers to slip. Normally spraying the friction rollers and rear wheels with water will clean out the slurry.



## G. Changing The Blade Cutting Slide

The saws can be used for either left or right hand cutting. Tight and loose collars fit both the left and right ends of the blade shaft.

To Change Blade Guard Side Follow The Below Directions: NOTE: The following directions are based on the blade guard being mounted on the operators left hand saw. The blade shaft nut on the operators left hand side is a right handed threaded and the blade shaft nut on the operators right hand side is a left handed thread. Reverse the following directions to move the blade guard from the operators right hand side to the left.

1. Disconnect number one spark plug on the engine.
2. Remove the blade collar cover on the operators left side of the saw.
3. Remove the operators left hand side blade shaft nut and tube cover.
4. Remove the blade guard from the operator's right side of the machine.
5. Remove the blade shaft nut, tight loose collar, and blade.
6. Remove the tight (inside) collar and key.
7. Attach the tube cover and the operators right hand side blade shaft nut to the operators right hand side of the blade shaft.
8. Attach the blade shaft guard to the operators right hand side of the saw.
9. Attach the key and the tight collar to the operators left side of the blade shaft.
10. Place the blade on the left side of the saw.
11. Place the loose collar and attach the operator's left hand side blade shaft nut to the right hand side of the blade shaft.
12. Properly tight the blade shaft nuts.
13. Attach the blade guard to the left hand side of the saw.
14. Readjust the pointer.

## Belt And Pulley Chart C143, C163, And C203 Series II

Model	Engine	Engine Pulley	Drive Belt	Blade Shaft Pulley	Trans Pulley	Trans Belt
C203JAA	Kohler Command	126018 109702 Bush	126099 3L380 Truflex	126018 126015 Bush	125013	126102 SPZ1187 (1)
C203JBA	Kohler Command	125017 109642 Bush	109634 3VX355	26215 123216 Bush	125013	126101 SPZ1180 (1)
C143AAA	Kohler Magnum	125014 109702 Bush	109666 3VX375	2615 123216 Bush	-NA-	-NA-
C143GAA	Kohler Magnum	125014 109702 Bush	109666 3VX375	26215 123216 Bush	125013	109769 3VX450 (1)
C163AAA	Kohler Magnum	125014 109702 Bush	109666 3VX375	26215 123216 Bush	-NA-	-NA-
C163JAA	Kohler Magnum	125014 109702 Bush	109666 3VX375	26215 123216 Bush	125013	109769 3VX450 (1)
C163GAA	Kohler Magnum	125014 109702 Bush	109666 3VX375	26215 123216 Bush	125013	109769 3VX450 (1)
C163JBA	Kohler Magnum	125014 109702 Bush	126099 3L380	126018 126015 Bush	125013	109769 3VX450 (1)

## IV. PARTS LIST SECTION

### A. Ordering Information

1. List model number and serial number of machine.
2. List part number and serial number of part not the item number.
3. Wherever alternate parts are shown due to product improvement, inspect the part you have and provide additional description as necessary.
4. Specify mode of shipping desired, such as, parcel post, truck, U.P.S., best way, etc.

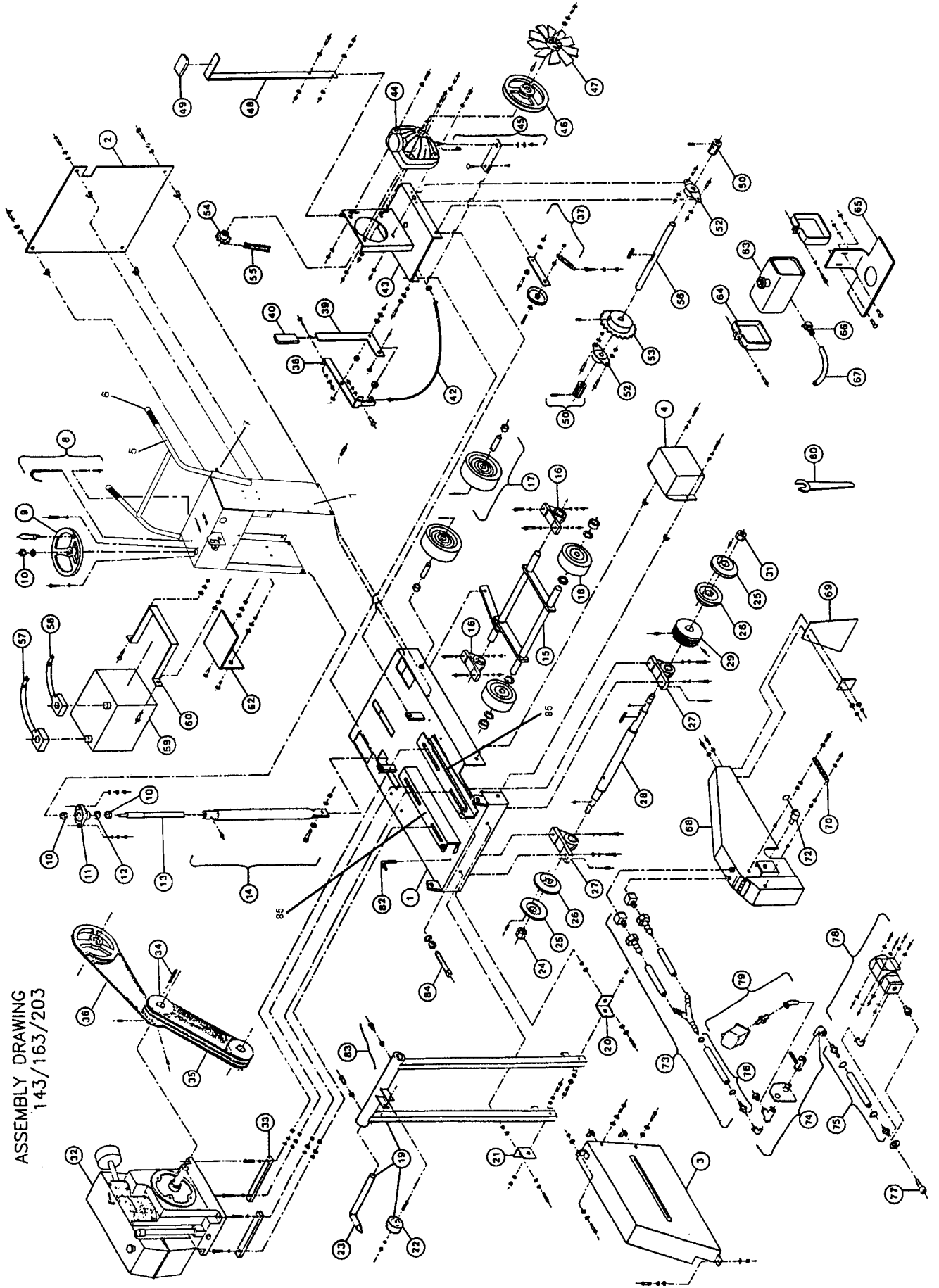
#### Blade Guards

Description	Part Number
14" Blade Guard	109794
18" Blade Guard	109797

## Blade Size Conversion Chart C143, C163, And C203 Series II

Model	HP	Blade Size	Blade Guard	Engine Pulley	Drive Belt	Blade Shaft Pulley	Trans Pulley	Trans Belt
C203JAA	20	14"	109794	126018 109702 Bush	126099 3L380 Truflex	126018 126015 Bush	125013	126102 SPZ1187 (1)
C203JBA	20	18"	109797	125017 109642 Bush	109634 3VX355	26215 123216 Bush	125013	126101 SPZ1180 (1)
C143AAA	14	14"	109794	125014 109702 Bush	109666 3VX375	2615 123216 Bush	-NA-	-NA-
C143GAA	14	14"	109794	125014 109702 Bush	109666 3VX375	26215 123216 Bush	125013	109769 3VX450 (1)
C163AAA	16	14"	109794	125014 109702 Bush	109666 3VX375	26215 123216 Bush	-NA-	-NA-
C163JAA	16	14"	109794	125014 109702 Bush	109666 3VX375	26215 123216 Bush	125013	109769 3VX450 (1)
C163GAA	16	14"	109794	125014 109702 Bush	109666 3VX375	26215 123216 Bush	125013	109769 3VX450 (1)
C163JBA	16	18"	109794	125014 109702 Bush	126099 3L380	126018 126015 Bush	125013	109769 3VX450 (1)

ASSEMBLY DRAWING  
143/163/203



## B: Service Parts

Item No.	Description	Part No.
1	Frame Weldment	109856
2	Rear Door With Hardware	109800
3	Belt Guard With Hardware	109801
4	Collar Guard With Hardware	109802
5	Handle Bar With Handle Grips	109862
6	Handle Grip (1)	107952
7	Screw 3/8-16 UNC x 1-1/4" Hexagon Head (1)	8041051
7	Nut 3/8-16 UNC Hexagon Jam (1)	8412003
8	Depth Lock Kit	109803
9	Hand Wheel And Handle	123291
10	Brass Nut 5/8-8 ACME Thread Steel Nut 5/8-8 ACME Thread (Raise Tube)	109298 109298A
11	Bearing Raising Screw	106169
12	Lock Washer	109290
13	Raising Screw 5/8-8 ACME Thread	109290
14	Raising Tube And Nut Kit	109804
15	Pivot Axle	109758
16	Pivot Axle Bearing With Hardware	109805
17	Rear Wheel Kit (2) With Hardware	109806
18	Front Wheel Kit (2) With Hardware	109807
19	Pointer Weldment With Hardware	123248
20	Pointer Support With Hardware (Left Hand Side)	109808
21	Pointer Support With Hardware (Right Hand Side)	109809
22	Wheel Kit Pointer	109674
23	Pointer Rod	123258
24	Blade Shaft Nut Right Hand Side (Left Hand Thread)	105376
25	Loose Collar With Dowel Pin	102318
26	Tight Collar With Key	102315
27	Blade Shaft Bearing With Hardware (1)	109810
28	Blade Shaft With Keys	109811
29	Blade Shaft Pulley Kit C143/163 14" Blade Shaft Kit C203 14", C163 18" Blade Shaft Kit C203 18" (All Kits Includes: Pulley, Bushing, And Key)	109829 109830 109828
31	Blade Shaft Nut Left Side (Right Hand Thread)	8150010
32	Engine Kohler 14 HP Engine Kohler 16 HP Engine Kohler Command Series 20 HP	109606 109607 109857
33	Engine Spacers 16 HP 18" (2)	109813

## B: Service Parts

Item No.	Description	Part No.
34	Engine Pulley Kit C143/163 14" & C163 18" Engine Pulley Kit C203 14" Engine Pulley Kit C203 18" (All Kits Includes: Pulley, Bushing, And Key)	109703 109703A 125018
35	Drive Belts C143/163 14" 3VX375 (3) Drive Belts C163 18" And C203 14" 3L380 (3) Drive Belts C203 18" 3VX355 (3)	109666 126099 109634
36	Transmission Drive Belt C143/C163 (All) 3VX450 (1) Transmission Drive Belt C203 (All) SPZ1187 (1)	109769 126102
37	Idler Assembly	149141
38	Pivot Bracket (Speed Control Or Transmission Bracket) With Hardware	109815
39	Speed Control (Transmission Or Forward/Reverse) Lever With Hardware	109816
41	Grip Speed Control	109795
42	Speed Control (Transmission Or Forward/Reverse) Cable Complete	109817
43	Transmission Platform	109733
44	Transmission Eaton Model 6	106344
45	Control Bar With Hardware	109818
46	Transmission Pulley Kit (Pulley And Key)	109819
47	Fan With Hardware	108800
48	Lever Transmission Engage/Disengage	109738
49	Grip For Lever Transmission Engage/Disengage	106392
50	Drive Roller And Pin (1)	109820
52	Axle Bearing With Hardware (1)	109821
53	48 Tooth (Axle) Gear Kit (Gear And Key)	109822
54	10 Tooth (Transmission) Gear Kit (Gear And Key)	109823
55	Chain With Master Link (#35 Chain x 64 Pitch Long)	109230
56	Transmission Axle	109737
57	Battery Cable Positive	125012
58	Battery Cable Negative	109619
59	Battery (Exide GT-9R) 12V 235 Cranking Amps NOTE: Can Not Be Shipped Purchase Locally	109617
60	Battery Strap With Hardware	109742
62	Battery Bracket With Hardware	109741
63	Fuel Tank 20 HP Only!	125001
64	Fuel Tank Strap 20 HP Only	125003
65	Fuel tank Mounting Bracket 20 HP Only	125002
66	Brass Elbow 20 HP Only	125010

## B: Service Parts

Item No.	Description	Part No.
----------	-------------	----------



**PO Box 2898, Gainesville, Georgia 30503**

Phone: 800-554-8003 or 404-967-3954

(8:00 A.M. to 8:00 P.M. Eastern Time)

Fax: 800-443-1092 or 404-967-4287

***clipper***

**SOLD AND SERVICED BY:**