

PARTS MANUAL



Mikasa **SERIES**
MODEL MT-75H
TAMPING RAMMER
(EC-12G ROBIN ENGINE)

Revision #9 (10/02/20)

THIS MANUAL MUST ACCOMPANY THE EQUIPMENT AT ALL TIMES.

TABLE OF CONTENTS

MT-75H

| | |
|--|-------|
| Table Of Contents | 3 |
| Explanation Of Codes In Remarks Column | 4 |
| Suggested Spare Parts | 5 |
| Name Plates and Decals | 6-7 |
| Crankcase and Engine | 8-9 |
| Guide Cylinder and Foot | 10-11 |
| Tank and Handle | 12-13 |

EC-12G ROBIN ENGINE

| | |
|---------------------------------------|-------|
| Crankcase and Cylinder Head | 14-15 |
| Crankshaft and Piston | 16-17 |
| Muffler and Air Cleaner | 18-19 |
| Governor | 20-21 |
| Blower Housing & Recoil Starter | 22-23 |
| Electric Device | 24-25 |
| Carburetor | 26-27 |

NOTE

*Specification and part number
are subject to change without
notice.*

EXPLANATION OF CODE IN REMARKS COLUMN

How to read the marks and remarks used in this parts book.

Items Found In the “Remarks” Column

Serial Numbers-Where indicated, this indicates a serial number range (inclusive) where a particular part is used.

Model Number-Where indicated, this shows that the corresponding part is utilized only with this specific model number or model number variant.

Items Found In the “Items Number” Column

All parts with same symbol in the number column, *, #, +, %, or ■, belong to the same assembly or kit.

NOTE

If more than one of the same reference number is listed, the last one listed indicates newest (or latest) part available.

NOTE

The contents of this catalog are subject to change without notice.

MT-75H— SUGGESTED SPARE PARTS

MT-75H RAMMER 1 TO 3 UNITS

| Qty. | P/N | Description |
|------|------------|-----------------------------------|
| 1 | 956300130 | LEVER, THROTTLE ASSY |
| 1 | 956106040 | WIRE, THROTTLE ASSY |
| 1 | 402010110 | SPRING, RETURN |
| 3 | 354030030 | ELEMENT, YELLOW |
| 3 | 354030040 | ELEMENT, GRAY |
| 1 | 954300390 | FUEL COCK ASSEMBLY |
| 3 | 301419750 | FILTER, IN-LINE FUEL |
| 2 | 954405080 | STRAINER |
| 1 | 0669900217 | BUTTON, STOP (S/N C-1001 & BELOW) |
| 3 | 0650140460 | SPARK PLUG |
| 1 | 0660000371 | SWITCH, STOP (ABOVE S/N C-1001) |
| 1 | 0430440033 | CAP, FUEL TANK |
| 3 | 1573620101 | ELEMENT, SET ENGINE |

MT-75H RAMMER 3 TO 5 UNITS

| Qty. | P/N | Description |
|------|------------|-----------------------------------|
| 2 | 060404010 | SEAL, OIL |
| 1 | 050100950 | O-RING, LOWER GUIDE CYLINDER |
| 2 | 956300130 | LEVER, THROTTLE ASSY |
| 2 | 956106040 | WIRE, THROTTLE ASSY |
| 2 | 402010110 | SPRING, RETURN |
| 5 | 354030030 | ELEMENT, YELLOW |
| 5 | 354030040 | ELEMENT, GRAY |
| 1 | 354010010 | BELLOWS |
| 1 | 050201500 | O-RING, UPPER GUIDE CYLINDER |
| 2 | 354336350 | CLAMP, BELLOWS |
| 2 | 0430440033 | CAP, FUEL TANK |
| 2 | 954300390 | FUEL COCK ASSEMBLY |
| 5 | 301419750 | FILTER, IN-LINE FUEL |
| 3 | 954405080 | STRAINER |
| 2 | 0669900217 | BUTTON, STOP (S/N C-1001 & BELOW) |
| 5 | 1573620101 | ELEMENT SET ENGINE |
| 5 | 0650140460 | SPARK PLUG |
| 2 | 050931500 | O-RING, MIDDLE GUIDE CYLINDER |
| 2 | 0660000371 | SWITCH, STOP (ABOVE S/N C-1001) |

NOTE

Part number on this Suggested Spare Parts List may super cede/replace the P/N shown in the text pages of this book.

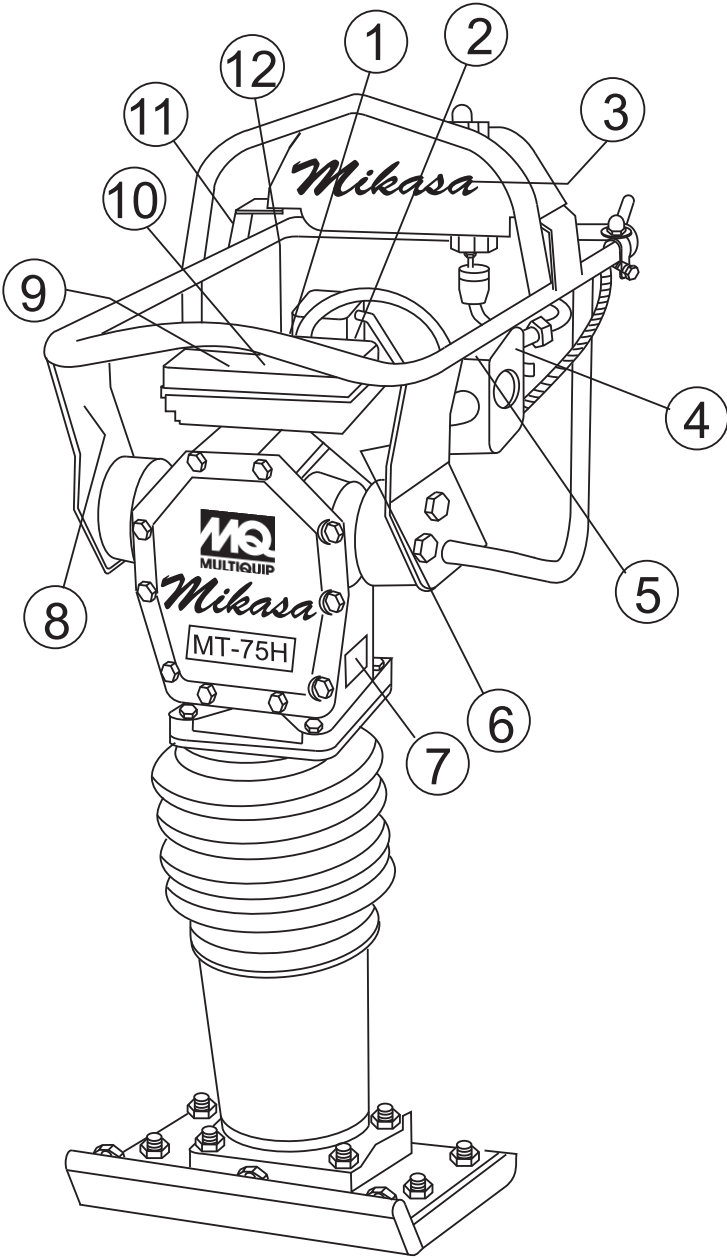
MT-75H RAMMER 5 TO 10 UNITS

| Qty. | P/N | Description |
|------|------------|-----------------------------------|
| 4 | 060404010 | SEAL, OIL |
| 3 | 050100950 | O-RING, LOWER GUIDE CYLINDER |
| 4 | 956300130 | LEVER, THROTTLE ASSY |
| 4 | 956106040 | WIRE, THROTTLE ASSY |
| 4 | 402010110 | SPRING, RETURN |
| 10 | 354030030 | ELEMENT, YELLOW |
| 10 | 354030040 | ELEMENT, GRAY |
| 3 | 354010010 | BELLOWS |
| 6 | 050931500 | O-RING, MIDDLE GUIDE CYLINDER |
| 3 | 050201500 | O-RING, UPPER GUIDE CYLINDER |
| 6 | 354336350 | CLAMP, BELLOWS |
| 3 | 0430440033 | CAP, FUEL TANK |
| 3 | 954300390 | FUEL COCK ASSEMBLY |
| 10 | 301419750 | FILTER, IN-LINE FUEL |
| 4 | 954405080 | STRAINER |
| 3 | 0669900217 | BUTTON, STOP (S/N C-1001 & BELOW) |
| 10 | 1573620101 | ELEMENT SET ENGINE |
| 1 | 354211841 | AIR CLEANER |
| 3 | 1616230207 | CARBURETOR KIT |
| 2 | 1573500103 | GASKET, INSULATOR, CARBURETOR |
| 1 | 1611510101 | GASKET, HEAD |
| 1 | 1613520101 | GASKET, EXHAUST |
| 1 | 2263272008 | GASKET, AIR CLEANER |
| 10 | 0650140460 | SPARK PLUG |
| 3 | 0660000371 | SWITCH, STOP (ABOVE S/N C-1001) |

MT-75H RAMMER 10+ UNITS

| Qty. | P/N | Description |
|------|------------|-----------------------------------|
| 6 | 060404010 | SEAL, OIL |
| 8 | 050100950 | O-RING, LOWER GUIDE CYLINDER |
| 6 | 956300130 | LEVER, THROTTLE ASSY |
| 6 | 956106040 | WIRE, THROTTLE ASSY |
| 6 | 402010110 | SPRING, RETURN |
| 16 | 354030030 | ELEMENT, YELLOW |
| 16 | 354030040 | ELEMENT, GRAY |
| 5 | 354010010 | BELLOWS |
| 8 | 050931500 | O-RING, MIDDLE GUIDE CYLINDER |
| 4 | 050201500 | O-RING, UPPER GUIDE CYLINDER |
| 10 | 354336350 | CLAMP, BELLOWS |
| 5 | 0430440033 | CAP, FUEL TANK |
| 4 | 954300390 | FUEL COCK ASSEMBLY |
| 12 | 301419750 | FILTER, IN-LINE FUEL |
| 6 | 954405080 | STRAINER |
| 4 | 0669900217 | BUTTON, STOP (S/N C-1001 & BELOW) |
| 16 | 1573620101 | ELEMENT SET ENGINE |
| 1 | 354211841 | AIR CLEANER |
| 5 | 1616230207 | CARBURETOR KIT |
| 8 | 1573500103 | GASKET, INSULATOR, CARBURETOR |
| 4 | 1611510101 | GASKET, HEAD |
| 4 | 1613520101 | GASKET, EXHAUST |
| 4 | 2263272008 | GASKET, AIR CLEANER |
| 16 | 0650140460 | SPARK PLUG |
| 4 | 0660000371 | SWITCH, STOP (ABOVE S/N C-1001) |
| 1 | 1616230100 | CARBURETOR ASSEMBLY |
| 1 | 1615010400 | RECOIL STARTER ASSEMBLY |

MT-75H — NAME PLATES AND DECALS



MT-75H — NAME PLATES AND DECALS

NAME PLATE AND DECALS

| <u>NO</u> | <u>PART NO</u> | <u>PART NAME</u> | <u>QTY.</u> | <u>REMARKS</u> |
|-----------|----------------|--------------------------|-------------|--|
| 1* | 920202930 | DECAL: START SWITCH | 1 | NPA-293 |
| 2* | 920200900 | DECAL: 3750 ~ 3950 RPM | 1 | NPA-90 |
| 3* | 920106460 | DECAL: MIKASA | 1 | |
| 4* | 920203980 | DECAL ELEMENT SET | 1 | NPA-398 |
| 5* | 0732004430 | DECAL: START SWITCH | 1 | |
| 6* | 920203290 | DECAL: CAUTION | 1 | NPA-329 |
| 7 | | PLATE, SERIAL NO. | 1 | CONTACT MQ SERVICE DEPT. W/MODEL & S/N |
| 8* | 920107000 | DECAL: OIL | 1 | NP-700 |
| 9* | 920204370 | DECAL: PRE-CLEANER | 1 | NPA-437 |
| 10* | 920206240 | DECAL: START/STOP ENGINE | 1 | NPA-624 |
| 11* | 920203330 | DECAL: EAR PROTECTION | 1 | NPA-333 |
| 12* | 920203990 | DECAL: CLOSE FUEL COCK | 1 | NPA-399 |
| | DCLMT75H | KIT, DECAL | 1 | INCLUDES ITEMS W/* |

SEE DECAL ILLUSTRATIONS ON PAGE 8.

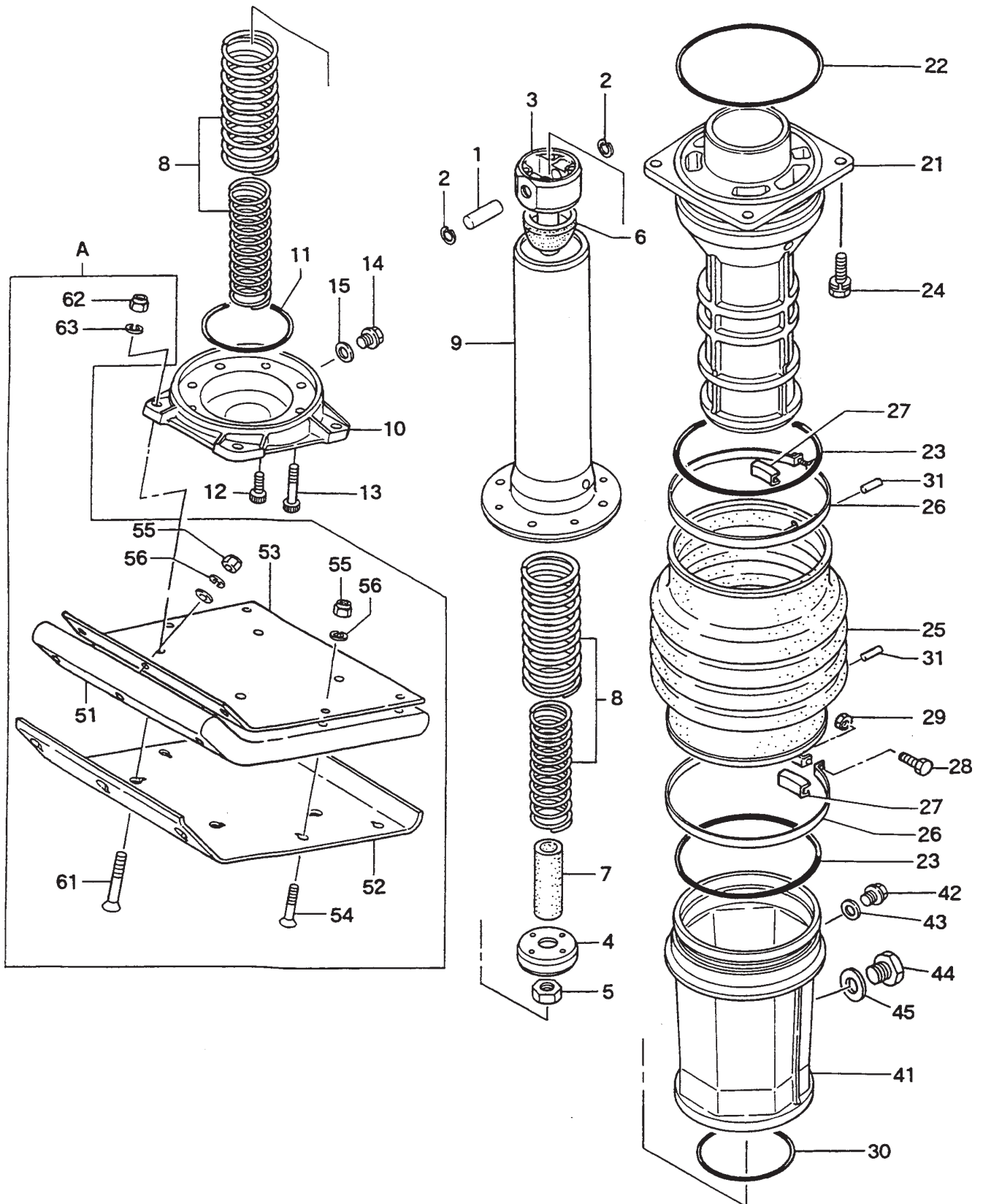
MT-75H — CRANKCASE AND ENGINE

CRANKCASE AND ENGINE

| <u>NO</u> | <u>PART NO</u> | <u>PART NAME</u> | <u>QTY</u> | <u>REMARKS</u> |
|-----------|----------------|----------------------------|------------|--------------------------------|
| 1 | 355113110 | CRANK CASE | 1 | |
| 2 | 040006207 | BEARING 6207 | 1 | |
| 3 | 0600200020 | BEARING 6304 | 1 | REPLACES 040006204 |
| 4 | 952400130 | WASHER | 1 | |
| 6 | 011708025 | BOLT 8X25 H, SW | 1 | REPLACES 002210825 |
| 8 | 355334280 | CONNECTING ROD | 1 | |
| 9 | 040006304 | BEARING 6204 | 1 | |
| 10 | 080100520 | STOP RING R-52 | 1 | |
| 11 | 952400130 | WASHER 9304 | 1 | |
| 12 | 011708025 | BOLT 8X25 H, SW | 1 | REPLACES 002210825 |
| 21 | 355447200 | PINON | 1 | |
| 22 | 0600200020 | BEARING 6204 | 1 | REPLACES 040006204 |
| 23 | 080200350 | STOP RING S-35 | 1 | |
| 24 | 352441340 | SPACER | 1 | |
| 25 | 060404010 | OIL SEAL TC -40528 | 1 | |
| 26 | 050100950 | O-RING G-95 | 1 | |
| 27 | 355447210 | CLUTCH DRUM | 1 | |
| 28 | 952405610 | KEY 5X5X19R | 1 | |
| 29 | 952405490 | LOCK WASHER | 1 | |
| 30 | 011008020 | BOLT 8X20 H, SW | 1 | REPLACES 002210820 |
| 31 | 041006007 | BEARING 6007Z | 1 | |
| 33 | 355447230 | BEARING COVER | 1 | |
| 34 | 050300440 | O-RING S-44 | 1 | |
| 35 | 002210820 | BOLT 8X22 H, SW | 2 | REPLACES 002210820 |
| 37 | 301421363 | CLUTCH ASSY | 1 | INCLUDES ITEMS W/* |
| 37-1* | 943060020 | CLUTCH GUIDE (B) | 1 | |
| 37-2* | 943050050 | CLUTCH BOSS | 1 | |
| 37-3* | 943020020 | CLUTCH SHOE | 4 | |
| 37-4* | 943030020 | CLUTCH SPRING | 2 | |
| 37-5* | 943060010 | CLUTCH GUIDE (A) | 1 | REPLACES 94306060 |
| 38* | 301010210 | LOCK WASHER,CLUTCH | 1 | |
| 41 | 355334290 | CRANK GEAR | 1 | |
| 42 | 355010010 | FRONT COVER | 1 | |
| 43 | 352444450 | PACKING , FRONT COVER | 1 | |
| 44 | 011706020 | BOLT 6X20 H, SW | 1 | REPLACES 002210620 |
| 51 | 911101214 | ENGINE AY EC12G (LC) | 1 | REPLACES 911101206 |
| 52 | 0053204201 | WOODRUFF KEY | 1 | |
| 54 | 354211841 | AIR CLEANER ASSY. | 1 | INCLUDES ITEMS W/# |
| 55 | 354330590 | INTAKE PIPE | 1 | |
| 56 | 011008020 | BOLT 8X20 H, SW | 4 | REPLACES 002210820 |
| 57 | 507010110 | CLAMP TC-200 | 1 | |
| 59 | 956300130 | THROTTLE LEVER ASSY. | 1 | |
| 60 | 956106040 | THROTTLE WIRE | 1 | |
| 61 | 402010110 | RETURN SPRING | 1 | REPLACES 301010950 |
| 62 | 959403750 | RUBBER SLIP STOP | 1 | |
| 63 | 303010450 | BAND | 1 | |
| 64 | 012010040 | BOLT 10X40 | 3 | REPLACES 012710040 & 002211040 |
| 65# | 354030011 | BODY / W -CLEANER | 1 | |
| 66# | 354030020 | BACK PLATE | 1 | |
| 67# | 354030030 | ELEMNT , YELLOW | 1 | |
| 68# | 354030040 | ELEMENT , GRAY | 1 | |
| 69# | 354030050 | ELEMENT FRAME | 1 | |

MT-75H — GUIDE CYLINDER AND FOOT

GUIDE CYLINDER AND FOOT



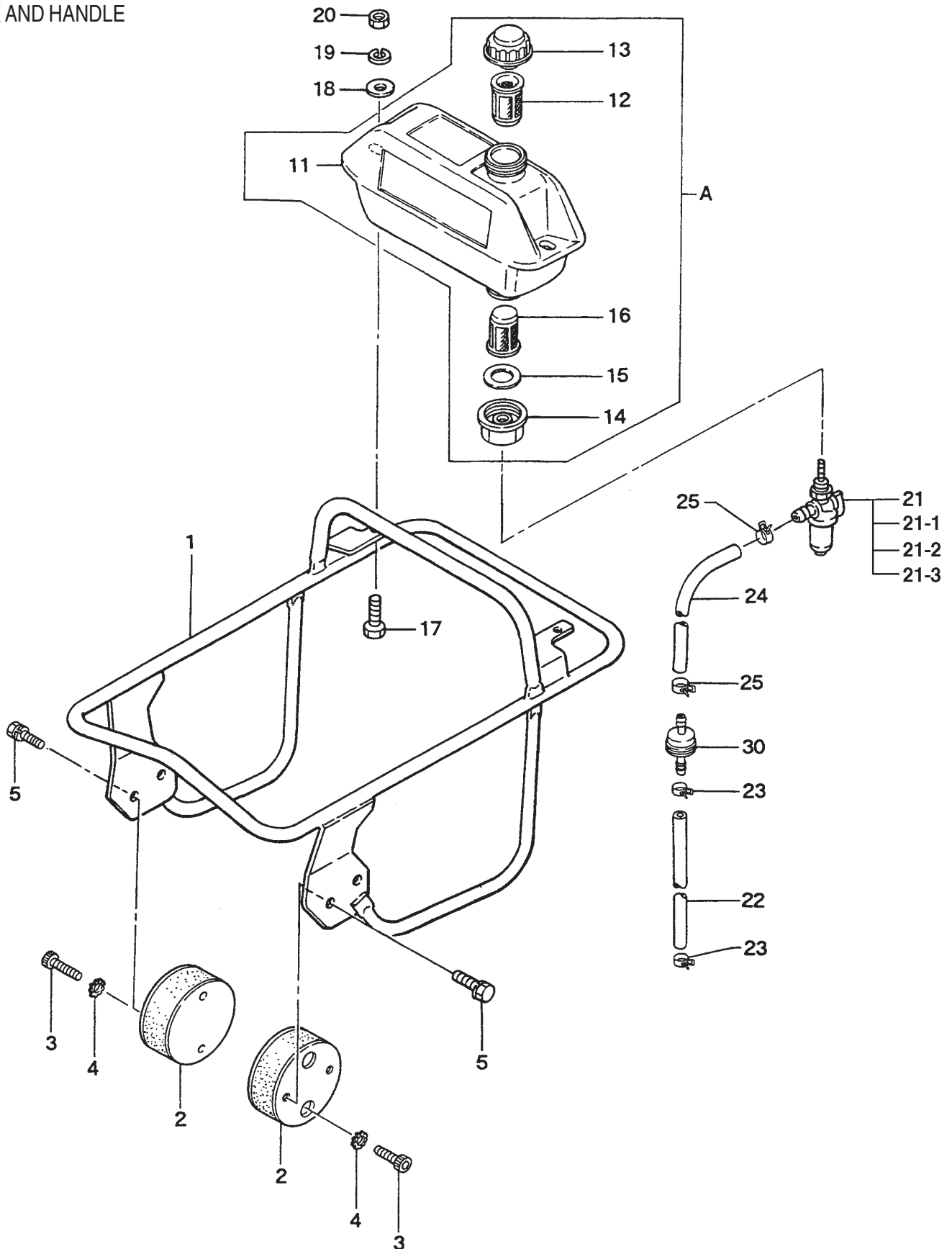
MT-75H — GUIDE CYLINDER AND FOOT ASSY.

GUIDE CYLINDER AND FOOT

| <u>NO</u> | <u>PART NO</u> | <u>PART NAME</u> | <u>QTY</u> | <u>REMARKS</u> |
|-----------|----------------|------------------------------|------------|---|
| A | | FOOT ASSY. | 1 | INCLUDES ITEMS W/* CONTACT UNIT SALES ACCESSORY ITEM. REPLACES 352910033 |
| 1 | 352423290 | PISTON PIN | 1 | |
| 2 | 080100150 | STOP RING | 2 | |
| 3 | 355334300 | PISTON ROD | 2 | |
| 4 | 355447240 | PISTON END | 1 | |
| 5 | 020316130 | NUT M16 | 1 | |
| 6 | 355447250 | STOPPER, UPPER | 1 | |
| 7 | 355447260 | STOPPER, LOWER | 1 | |
| 8 | 355447270 | MAIN SPRING | 2 | |
| 9 | 355334310 | SPRING CYLINDER | 1 | |
| 10 | 355213000 | FOOT PLATE | 1 | |
| 11 | 050100900 | O-RING G-90 | 1 | |
| 12 | 014210020 | SOCKET HEAD BOLT 10X20 T | 4 | |
| 13 | 014210040 | SOCKET HEAD BOLT 10X40 T | 4 | |
| 14 | 953405270 | PLUG 1/4X14 L | 1 | |
| 15 | 953405260 | PACKING 1/4 | 1 | |
| 21 | 355213010 | GUIDE CYLINDER | 1 | |
| 22 | 050201500 | O-RING P-150 | 1 | |
| 23 | 050931500 | O-RING JAS03150 | 2 | |
| 24 | 012710035 | BOLT 10X35 | 4 | |
| 25 | 354010010 | BELLOWS (L) ORANGE | 1 | REPLACES 3543372000 |
| 26 | 354336350 | BELLOWS CLAMP | 2 | REPLACES 354329380 |
| 27 | 354442340 | BAND GUIDE , BELLOWS | 2 | |
| 28 | 011008040 | BOLT 8X40 H | 2 | REPLACES 001210840 |
| 30 | 050100950 | O-RING G-95 | 1 | |
| 31 | 354446170 | PIN 6D-8.5L | 2 | |
| 41 | 355113130 | PROTECTION SLEEVE | 1 | |
| 42 | 953405270 | PLUG 1/4X14 13L | 1 | |
| 43 | 953405260 | PACKING 1/4 (CU) | 1 | |
| 44 | 959010150 | LEVEL GAUGE , PLUG TYPE | 1 | |
| 45 | 953404670 | COPPER PACKING 17X25.5X1 | 1 | |
| 51* | 352108220 | FOOT 285B 331L | 1 | |
| 52* | 352108230 | METAL SHEET 285W | 1 | |
| 53* | 352333380 | FOOT COVER | 1 | |
| 54* | 015110055 | SUNK HEAD BOLT 1055 H | 7 | REPLACES 001611051 |
| 55* | 021110120 | NYLON NUT M 10 | 7 | REPLACES 022711012 |
| 56* | 030210250 | SW M10 | 7 | |
| 61* | 015112060 | SUNK HEAD BOLT 12X65 H | 4 | REPLACES 001611253 |
| 62* | 021112140 | NYLON NUT M | 12 | REPLACES 022711214 |
| 63* | 030212300 | SW M12 | 4 | |

MT-75H — TANK AND HANDLE ASSY.

TANK AND HANDLE



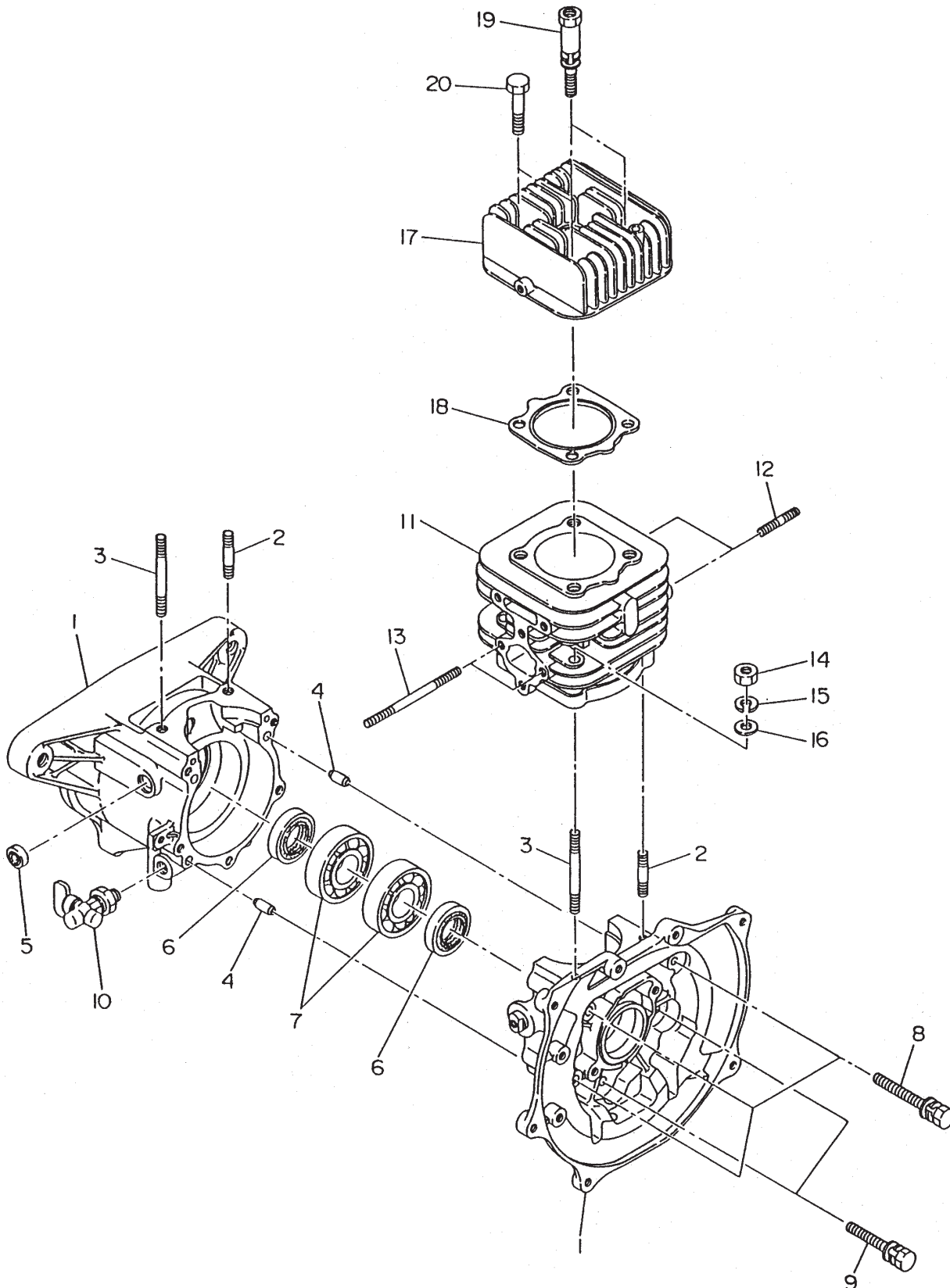
MT-75H — TANK AND HANDLE ASSY.

TANK AND HANDLE

| <u>NO</u> | <u>PART NO</u> | <u>PART NAME</u> | <u>QTY</u> | <u>REMARKS</u> |
|-----------|----------------|--------------------------------|------------|--------------------|
| A | 353910010 | FUEL TANK AY (P) | 1 | INCLUDES ITEMS W/* |
| 1 | 354111831 | HANDLE | 1 | |
| 2 | 351319900 | SHOCK ABSORBER | 2 | |
| 3 | 014210020 | SOCKET HEAD BOLT 10X20 T | 4 | REPLACES 001521020 |
| 4 | 033121009 | TOOTHED LOCK WASHER M10 | 4 | |
| 5 | 012210020 | BOLT 10X20 H, SW | 4 | REPLACES 002211020 |
| 11* | 351110650 | FUEL TANK 3L (P) | 1 | |
| 12* | 954404890 | FILTER , TANK | 1 | |
| 13* | 0430440033 | FUEL TANK CAP | 1 | |
| 14* | 351437785 | HOLDER COCK..... | 1 | REPLACES 351437780 |
| 15* | 351439290 | PACKING COCK HOLDER | 1 | |
| 16* | 954405080 | STRAINER (100) | 1 | |
| 17 | 011208030 | BOLT 8X30 T | 2 | REPLACES 001220830 |
| 18 | 952401450 | WASHER 8.5X22X3 | 2 | |
| 19 | 030208200 | SW M8 | 2 | |
| 20 | 022710809 | NYLON NUT M8 | 2 | |
| 21 | 954300390 | FUEL COCK AY | 1 | INCLUDES ITEMS W/# |
| 21-1# | 0642001410 | CUP | 1 | |
| 21-2# | 0642001420 | SCREEN | 1 | |
| 21-3# | 0642001430 | RUBBER PACKING | 1 | |
| 22 | 301420330 | FUEL HOSE B-150 | 1 | |
| 23 | 954404590 | HOSE BAND 9.5D | 2 | |
| 24 | 351436350 | FUEL HOSE R-150 | 1 | |
| 25 | 301420730 | HOSE BAND (8) | 2 | REPLACES 954403030 |
| 30 | 301419750 | FUEL FILTER | 1 | |

EC-12G ENGINE (ROBIN) — CRANKCASE AND CYL. HD. ASSY.

CRANKCASE AND CYLINDER HEAD



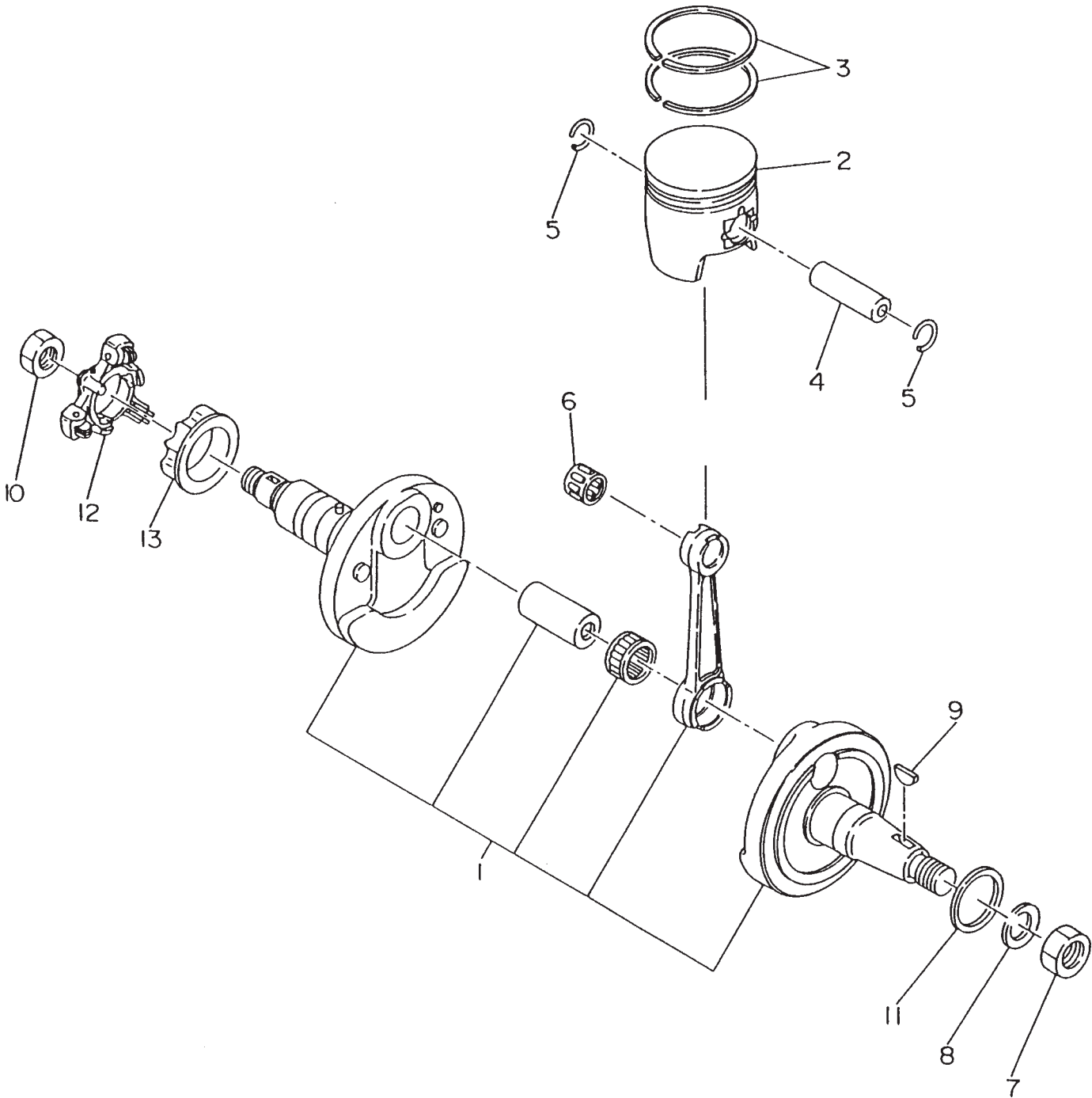
EC-12G ENGINE (ROBIN) — CRANKCASE AND CYL. HD. ASSY.

CRANKCASE AND CYLINDER HEAD

| <u>NO</u> | <u>PART NO</u> | <u>PART NAME</u> | <u>QTY</u> | <u>REMARKS</u> |
|-----------|----------------|----------------------------|------------|---------------------|
| 1 | 1611040101 | CRANKCASE COMPL. | 1 | INCLUDES ITEMS W/* |
| 2* | 0013208401 | STUD | 2 | |
| 3* | 0013208651 | STUD | 2 | |
| 4* | 0310060010 | DOWEL PIN | 2 | |
| 5* | 0440080010 | OIL SEAL 7.4X14X4 | 1 | |
| 6* | 0440250180 | OIL SEAL EC13 | 2 | |
| 7* | 0600250010 | BALL BEARING 6205C3 | 2 | |
| 8* | 0011406550 | BOLT AND WASHER ASSY. | 3 | |
| 9* | 0011406400 | BOLT AND WASHER ASSY. | 2 | |
| 10 | 0643000101 | DRAIN COCK | 1 | |
| 11 | 1611240101 | CYLINDER COMPL. | 1 | INCLUDES ITEMS W/# |
| 12# | 0013208351 | STUD | 2 | |
| 13# | 0105060190 | STUD | 2 | REPLACES 0105060191 |
| 14 | 020108060 | NUT | 4 | REPLACES 0021808000 |
| 15 | 030208200 | SPRING WASHER | 4 | |
| 16 | 0031008000 | WASHER | 4 | |
| 17 | 1571310113 | CYLINDER HEAD | 1 | |
| 18 | 1611510101 | GASKET COMPL. (HEAD) | 1 | REPLACES 1611510111 |
| 19 | 0130080071 | BOLT AND WASHER ASSY. | 2 | |
| 20 | 0011408350 | BOLT AND WASHER ASSY. | 2 | |

EC-12G ENGINE (ROBIN) — CRANKSHAFT AND PISTON ASSY.

CRANKCASE AND PISTON



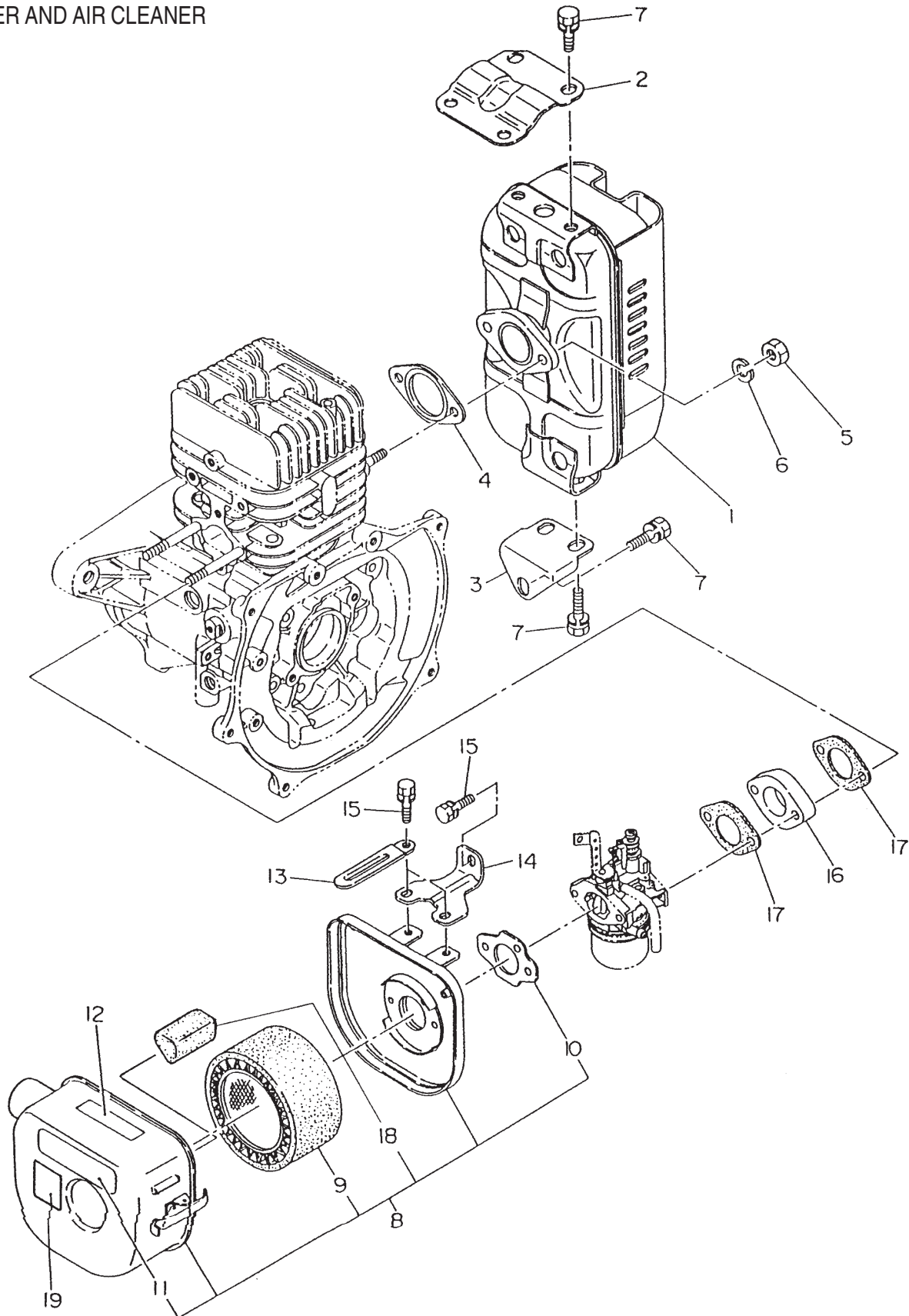
EC-12G ENGINE (ROBIN) — CRANKSHAFT AND PISTON ASSY.

CRANKSHAFT AND PISTON

| <u>NO</u> | <u>PART NO</u> | <u>PART NAME</u> | <u>QTY</u> | <u>REMARKS</u> |
|-----------|----------------|-------------------------|------------|----------------|
| 1 | 1612040100 | CRANKSHAFT AY | 1 | |
| 2 | 1612340101 | PISTON COMPL. STD | 1 | |
| 2 | 1612340201 | PISTON COMPL. 0.25 OS | 1 | |
| 2 | 1612340301 | PISTON COMPL. 0.5 OS | 1 | |
| 3 | 1612350107 | PISTON RING SET STD. | 1 | |
| 3 | 1612350207 | PISTON RING SET 0.25 OS | 1 | |
| 3 | 1612350307 | PISTON RING SET 0.5 OS | 1 | |
| 4 | 1572330103 | PISTON PIN | 1 | |
| 5 | 056-5120010 | CLIP | 2 | |
| 6 | 0610120010 | NEEDLE BEARING | 1 | |
| 7 | 0021714000 | NUT | 1 | |
| 8 | 0032014000 | SPRING WASHER | 1 | |
| 9 | 0053204201 | WOODRUFF KEY | 1 | |
| 10 | 0173120010 | LOCK NUT | 1 | |
| 11 | 1612500103 | SPACER 0.1T | 3 | |
| 11 | 1612500203 | SPACER 0.3T | 1 | |
| 12 | 1574170101 | GOVENOR PLATE COMPL. | 1 | |
| 13 | 1574190103 | GOVENOR SLEEVE | 1 | |

EC-12G ENGINE (ROBIN) — MUFFLER AND AIR CLEANER

MUFFLER AND AIR CLEANER



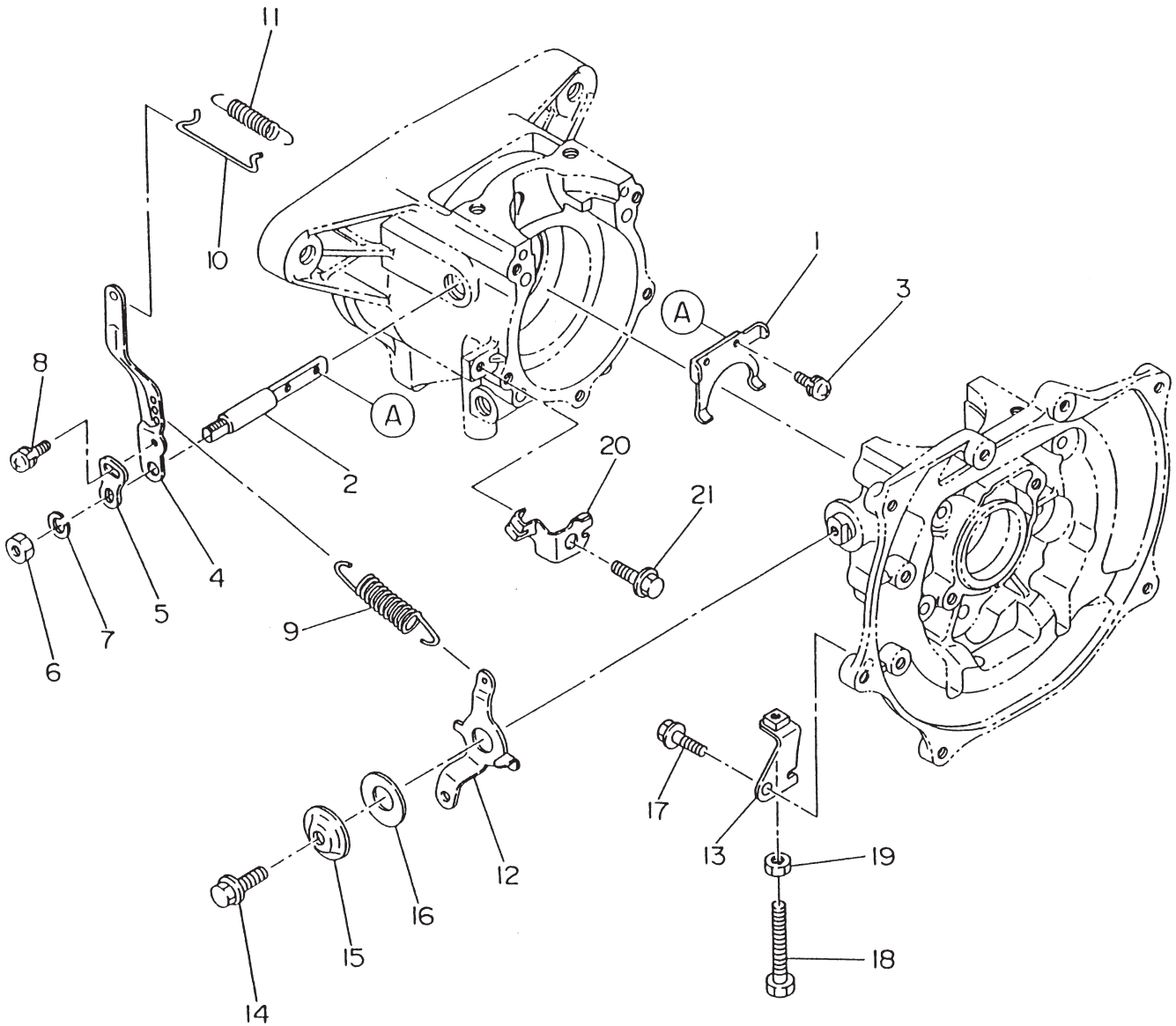
EC-12G ENGINE (ROBIN) — MUFFLER AND AIR CLEANER

MUFFLER AND AIR CLEANER

| <u>NO</u> | <u>PART NO</u> | <u>PART NAME</u> | <u>QTY</u> | <u>REMARKS</u> |
|-----------|----------------|-----------------------------|------------|--|
| 1 | 1613010111 | MUFFLER COMPL. | 1 | |
| 2 | 1613500101 | MUFFLER BRACKET | 1 | |
| 3 | 1613510101 | MUFFLER BRACKET | 1 | |
| 4 | 1613520101 | GASKET COMPL. (EXHAUST) | 1 | |
| 5 | 020108060 | NUT | 2 | REPLACES 0021908000 |
| 6 | 030208200 | SPRING WASHER | 2 | REPLACES 0032008000 |
| 7 | 0011308160 | BOLT AND WASHER ASSY. | 7 | |
| 8 | 1613260130 | AIR CLEANER ASSY. | 1 | REPLACES 1613260100 |
| 8 | 1613270310 | AIR CLEANER ASSY. | 1 | INCLUDES ITEMS W/* REPLACES 1613270300 |
| 9* | 1573620101 | ELEMENT SET | 1 | |
| 10* | 2263272008 | GASKET (AIR CLEANER) | 1 | |
| 11*# | 1073273308 | LABEL | 1 | |
| 12# | 0732004430 | LABEL (CHOKE) | 1 | REPLACES 0732001930 |
| 13 | 1507520103 | CLAMP | 1 | |
| 14 | 1613600111 | CLEANER BRACKET | 1 | |
| 15 | 0016606120 | BOLT AND WASHER ASS'Y | 3 | REPLACES 0011006120 |
| 16 | 1573290103 | INSULATOR | 1 | |
| 17 | 1573500103 | GASKET, INSULATOR | 2 | |
| 18* | 1613261008 | ELEMENT | 1 | |
| 19 | 920203980 | DECAL, ELEMENT SET | 1 | INCLUDES ITEMS W/# |

EC-12G ENGINE (ROBIN) — GOVERNOR

GOVERNOR



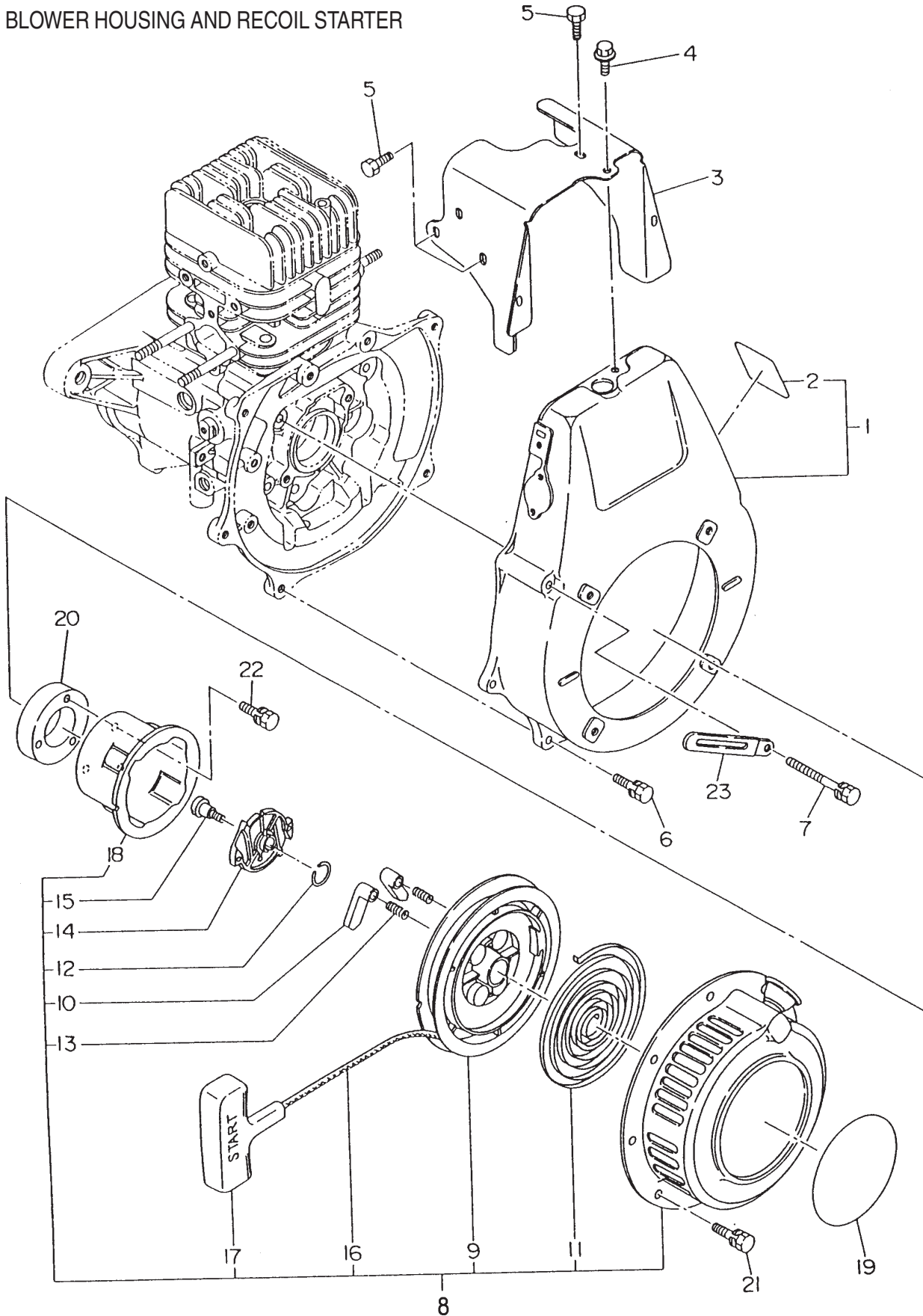
EC-12G ENGINE (ROBIN) — GOVERNOR

GOVERNOR

| <u>NO</u> | <u>PART NO</u> | <u>PART NAME</u> | <u>QTY</u> | <u>REMARKS</u> |
|-----------|----------------|------------------------------|------------|---------------------|
| 1 | 1574210103 | GOVERNOR YOKE | 1 | |
| 2 | 1064220103 | GOVERNOR SHAFT | 1 | REPLACES 1574220103 |
| 3 | 0043504060 | SCREW | 2 | |
| 4 | 1614230101 | GOVERNOR LEVER | 1 | |
| 5 | 1064240101 | ADJUSTING PLATE | 1 | REPLACES 1574240101 |
| 6 | 0021906000 | NUT | 1 | |
| 7 | 030206150 | SPRING WASHER | 1 | REPLACES 0032006000 |
| 8 | 0043504080 | SCREW AND WASHER ASS'Y | 1 | REPLACES 0043604080 |
| 9 | 1614250113 | GOVERNOR SPRING | 1 | REPLACES 1614250101 |
| 10 | 2274270101 | GOVERNOR ROD | 1 | |
| 11 | 1064280113 | ROD SPRING | 1 | |
| 12 | 1614341001 | SPEED CONTROL COMPL. | 1 | |
| 13 | 1614350111 | STOP PLATE COMPL. | 1 | |
| 14 | 0110060050 | FLANGE BOLT | 1 | REPLACES 0110060010 |
| 15 | 1574510113 | COVER | 1 | REPLACES 1574510101 |
| 16 | 1574610103 | WASHER | 1 | |
| 17 | 0110060050 | FLANGE BOLT | 1 | REPLACES 0110060010 |
| 18 | 0016506350 | BOLT | 1 | |
| 19 | 0021706000 | NUT | 1 | |
| 20 | 1614420101 | WIRE BRACKET | 1 | |
| 21 | 0110060050 | FLANGE BOLT | 1 | REPLACES 0110060010 |

EC-12G ENGINE (ROBIN) — BLOWER HOUSING/RECOIL STR.

BLOWER HOUSING AND RECOIL STARTER



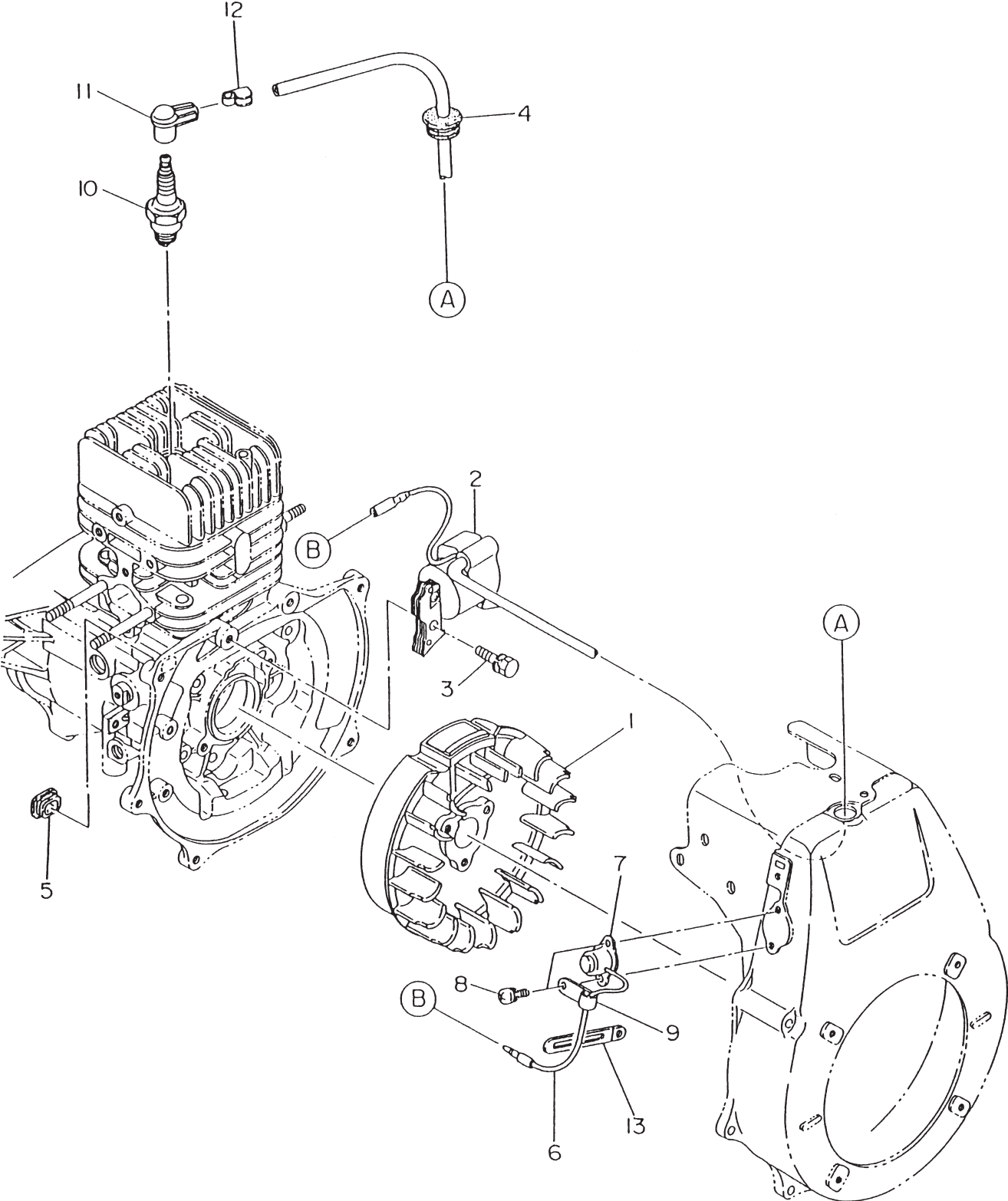
EC-12G ENGINE (ROBIN) — BLOWER HOUSING/RECOIL STR.

BLOWER HOUSING AND RECOIL STARTER

| <u>NO</u> | <u>PART NO</u> | <u>PART NAME</u> | <u>QTY</u> | <u>REMARKS</u> |
|-----------|----------------|----------------------------|------------|--------------------------------------|
| 1 | 1615110701 | BLOWER HOUSING COMPL. | 1 | INCLUDES ITEM W/* REPLACES 161511001 |
| 2* | 1619180203 | LABEL, ENGINE NAME | 1 | |
| 3 | 1615260123 | CYLINDER BAFFLE | 1 | |
| 4 | 0110060050 | FLANGE BOLT | 2 | REPLACES 0110060010 |
| 5 | 0152060070 | TAPPING BOLT | 3 | |
| 6 | 0011406200 | BOLT AND WASHER ASSY. | 3 | |
| 7 | 0011406550 | BOLT AND WASHER ASSY. | 2 | |
| 8 | 1615010400 | RECOIL STARTER ASSY. | 1 | INCLUDES ITEM W/# |
| 9# | 1615012008 | REEL | 1 | |
| 10# | 1615012508 | RATCHET | 2 | |
| 11# | 2155051508 | SPIRAL SPRING | 1 | |
| 12# | 2275013108 | FRICTION SPRING | 1 | |
| 13# | 2275013508 | RETURN SPRING | 2 | |
| 14# | 1615015008 | RATCHET GUIDE | 1 | |
| 15# | 2275015208 | SET SCREW | 1 | |
| 16# | 1615011008 | STARTER ROPE | 1 | |
| 17# | 2065010108 | STARTER KNOB | 1 | REPLACES 2365010108 |
| 18# | 1615014518 | STARTER PULLEY | 1 | |
| 19 | 920100240 | DECAL, (M-MARK) | 1 | |
| 20 | 1615500103 | PULLEY SPACER | 1 | |
| 21 | 0016606120 | BOLT AND WASHER ASSY. | 4 | REPLACES 0011006120 |
| 22 | 0011306250 | BOLT AND WASHER ASSY. | 3 | |
| 23 | 1507520103 | CLAMP | 1 | |

EC-12G ENGINE (ROBIN) — ELECTRIC DEVICE

ELECTRIC DEVICE



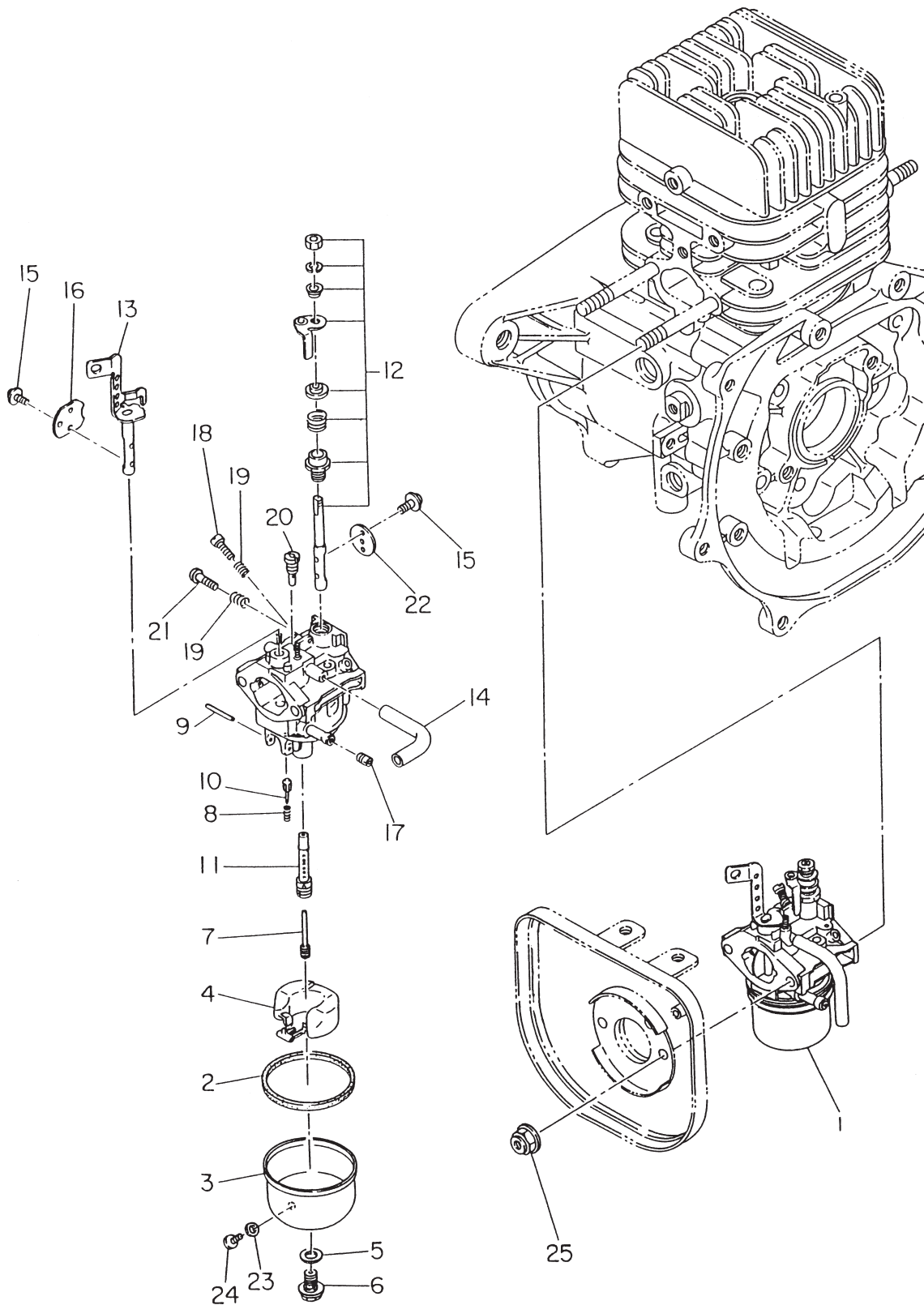
EC-12G ENGINE (ROBIN) — ELECTRIC DEVICE

ELECTRIC DEVICE

| <u>NO</u> | <u>PART NO</u> | <u>PART NAME</u> | <u>QTY</u> | <u>REMARKS</u> |
|-----------|----------------|------------------------|------------|------------------------|
| 1 | 1617010100 | MAGNETO ASS'Y | 1 | INCLUDES ITEMS W/* |
| 1* | 1617012008 | FLYWHEEL COMPL. | 1 | |
| 2* | 1617013008 | IGNITION COIL, COMPL. | 1 | |
| 3 | 0011006200 | BOLT AND WASHER AY | 2 | |
| 4 | 1617500103 | GROMMET, HIGH | 1 | |
| 5 | 1577500203 | GROMMET | 1 | |
| 6 | 1067330101 | WIRE COMPL. | 1 | COMES WITH STOP BUTTON |
| 7 | 0669900217 | STOP BUTTON | 1 | REPLACES 0662000070 |
| 8 | 0043504080 | SCREW AND WASHER ASS'Y | 2 | |
| 9 | 0566030010 | CLAMP | 1 | |
| 10 | 0650140460 | SPARK PLUG | 1 | |
| 11 | 2307510113 | SPARK PLUG CAP | 1 | |
| 12 | 0659000010 | PLUG TERMINAL | 1 | |
| 13 | 1507520103 | CLAMP | 1 | |

EC-12G ENGINE (ROBIN) — CARBURETOR

CARBURETOR



EC-12G ENGINE (ROBIN) — CARBURETOR

CARBURETOR

| <u>NO</u> | <u>PART NO</u> | <u>PART NAME</u> | <u>QTY</u> | <u>REMARKS</u> |
|-----------|----------------|---------------------------|------------|---------------------------------------|
| 1 | 1616230100 | CARBURETOR ASSY. | 1 | INCLUDES ITEM W/* REPLACES 1616230120 |
| 2* | 2366254008 | PACKING | 1 | |
| 3* | 1616235008 | FLOAT BODY | 1 | |
| 4* | 5806083350 | FLOAT | 1 | REPLACES 2366250508 |
| 5* | 2366245008 | PACKING | 1 | |
| 6* | 1616235108 | BOLT | 1 | |
| 7* | 2266240008 | MAIN JET | 1 | |
| 8* | 2366244508 | SPRING | 1 | |
| 9* | 2146251508 | FLOAT PIN | 1 | |
| 10* | 1616235208 | NEEDLE | 1 | |
| 11* | 1616244008 | MAIN NOZZLE | 1 | |
| 12* | 1616253008 | SHAFT ASSY. (THROTTLE) | 1 | |
| 13* | 1616252038 | SHAFT ASSY. (CHOKE) | 1 | REPLACES 1616252008 |
| 14* | 1616235308 | HOSE | 1 | |
| 15* | 2346245008 | SCREW | 4 | |
| 16* | 5806083310 | CHOKE VALVE | 1 | REPLACES 1616252508 |
| 17* | 1616240008 | MAIN JET | 1 | |
| 18* | 2136239008 | ADJUSTER | 1 | |
| 19* | 2096244508 | SPRING | 2 | REPLACES 2106231808 |
| 20* | 2076242008 | PILOT JET | 1 | |
| 21* | 5416002230 | SCREW | 1 | REPLACES 1066239308 |
| 22* | 1616253508 | THROTTLE VALVE | 1 | |
| 23* | 2366254108 | PACKING | 1 | |
| 24* | 2366235008 | SCREW | 1 | |
| 25 | 0176060020 | SELF LOCK NUT | 2 | |