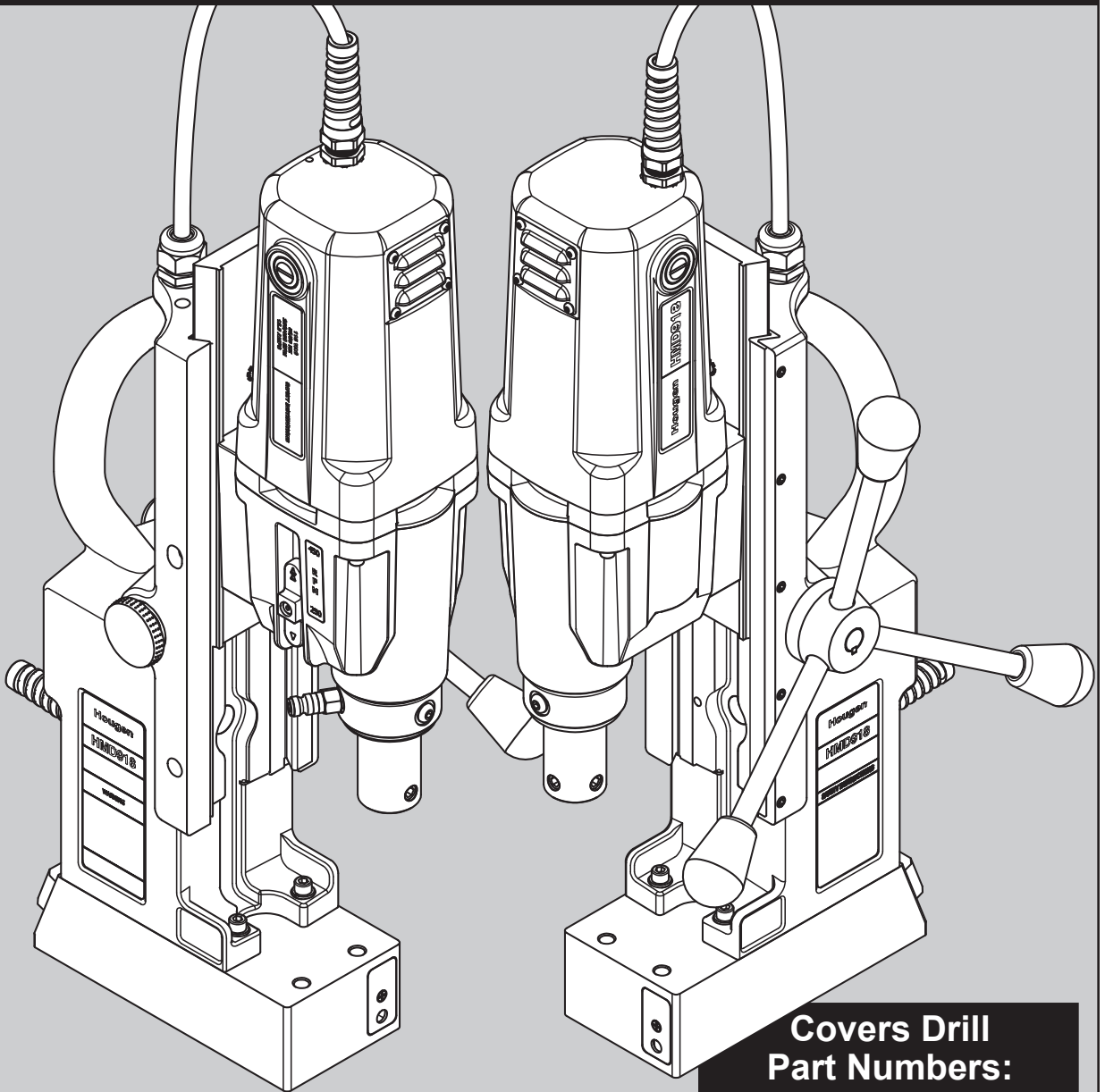




OPERATOR'S MANUAL

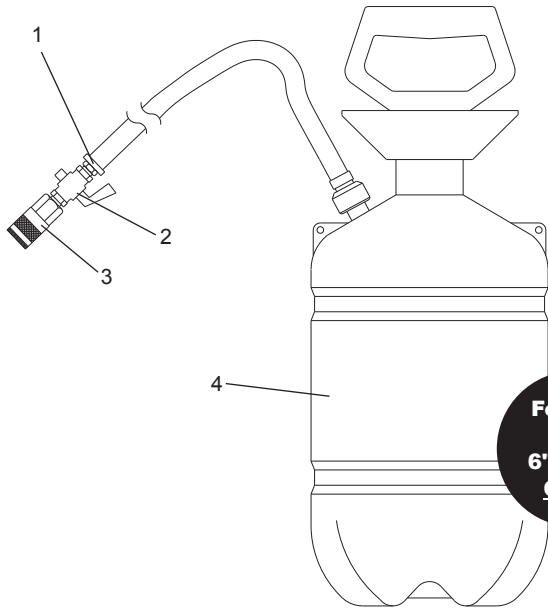
HMD918 SERIES PORTABLE MAGNETIC DRILL



Covers Drill
Part Numbers:

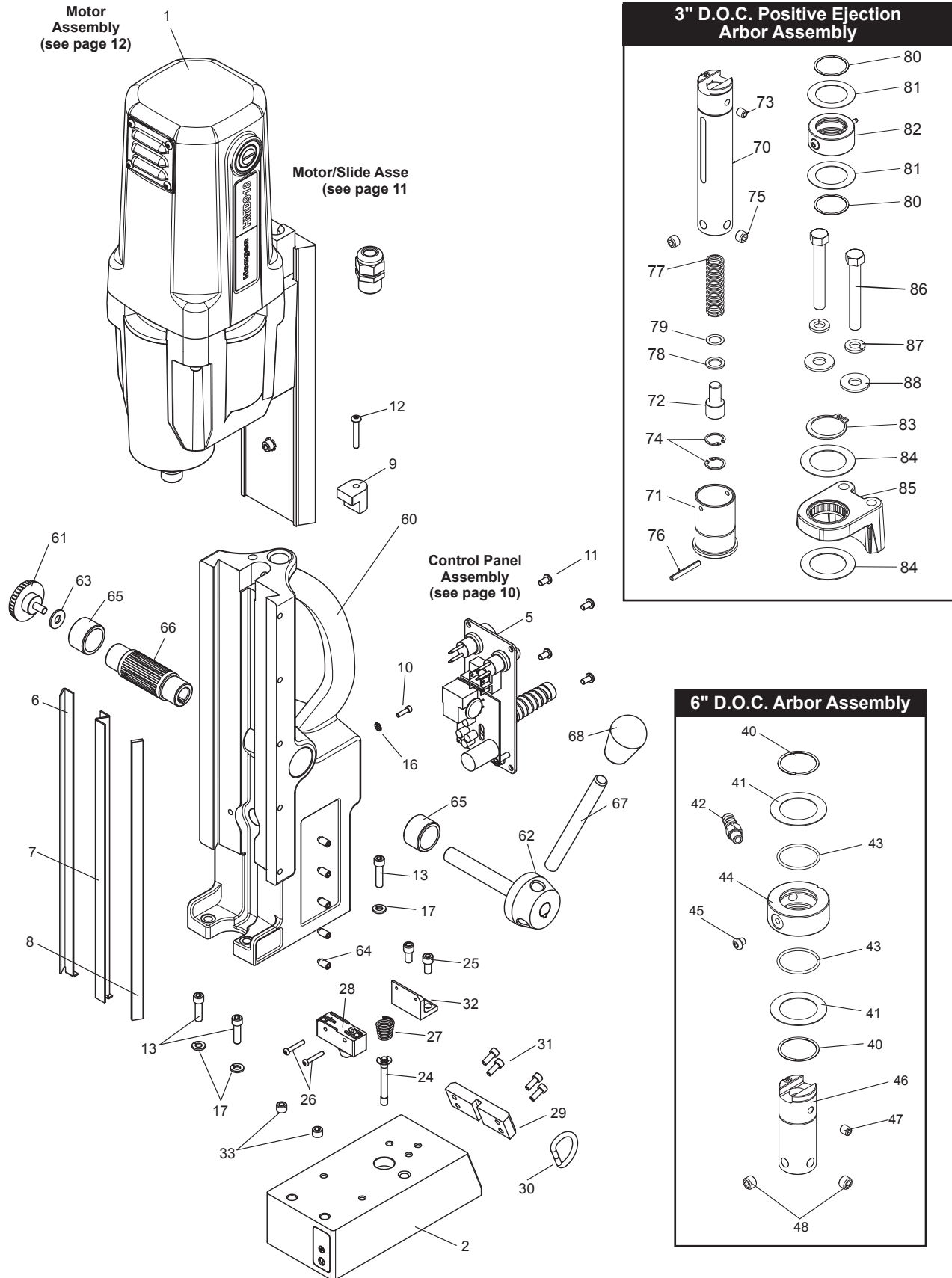
0918102

PRESSURIZED COOLANT BOTTLE



05630 Coolant Bottle Assembly			
Item	Part #	Description	Qty
1	05556	Fitting 1/8 NPT 3/8 Hose	1
2	01569	Shut Off Valve	1
3	05621	Quick Connector	1
4	01567	Coolant Bottle	1

HMD918 MAG BASE DRILL



HMD918 Breakdowns			
Item	Part #	Description	Qty
1	08515	Motor / Slide Assy.	1
5	08251	Control Panel	1
6	08519	Gib, Brass, Right Hand	1
7	08520	Gib, Brass, Left Hand	1
8	08521	Gib Steel	1
9	08522	Stop Block	1
10	17002	SCR SHC #6-32 x 1/2 LG	1
11	41044	SCR BHC #10-32 x 3/8 LG	4
12	10559	SCR BHC #10-32 x 1-1/4 LG	1
13	10553	SCR SHC 1/4-20 x 7/8 LG	2
14	40077	SCR SHC 1/4-20 x 1" LG	1
16	90052	Lock Washer Ext. #6	1
17	90028	Lock Washer Helical 1/4	3
Accessories Included			
	10565	Hex Key 1/8 wrench	1
	10730	Safety Chain 3/16 X 5' w/Snap Hook	1
	24166	7/32" Hex Key for Arbor	1
	13013	5/32" Allen Wrench	1
	05630	Pressurized Coolant Bottle	1
67	10569	Feed Handle	3
68	04532	Knob - Oval	3

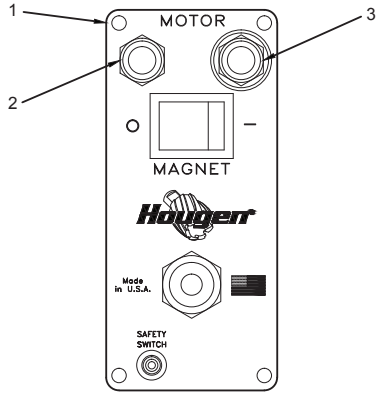
07985 Magnet Assembly			
Item	Part #	Description	Qty
2	07982	Magnet	1
24	04961	Plunger Assy.	1
25	10971	SCR SHC 1/4-20 x 1/2" LG	2
26	10972	SCR BHC #6-32 x 7/8" LG	2
27	17271	Spring - Taper, Comp.	1
28	04885	Microswitch Assy.	1
29	07887	Plate - Ring Retaining	1
30	24144	D-Ring	1
31	41046	SCR SHC #10-32 x 1/2" LG	4
32	04909	Bracket - Safety Switch	1
33	10506	SCR SET 3/8-24 x .305 SPL FL PT	2

08516 Housing Assembly			
Item	Part #	Description	Qty
60	08531	Drill Housing	1
61	05839	Knob - Comfort Rubber Grip	1
62	40254	Hub Assembly	1
63	10679	Washer - Flat 1/4 Type A	1
64	40237	Gib Screws	5
65	40231	Bushing - Bronze	2
66	40229	Feed Gear	1

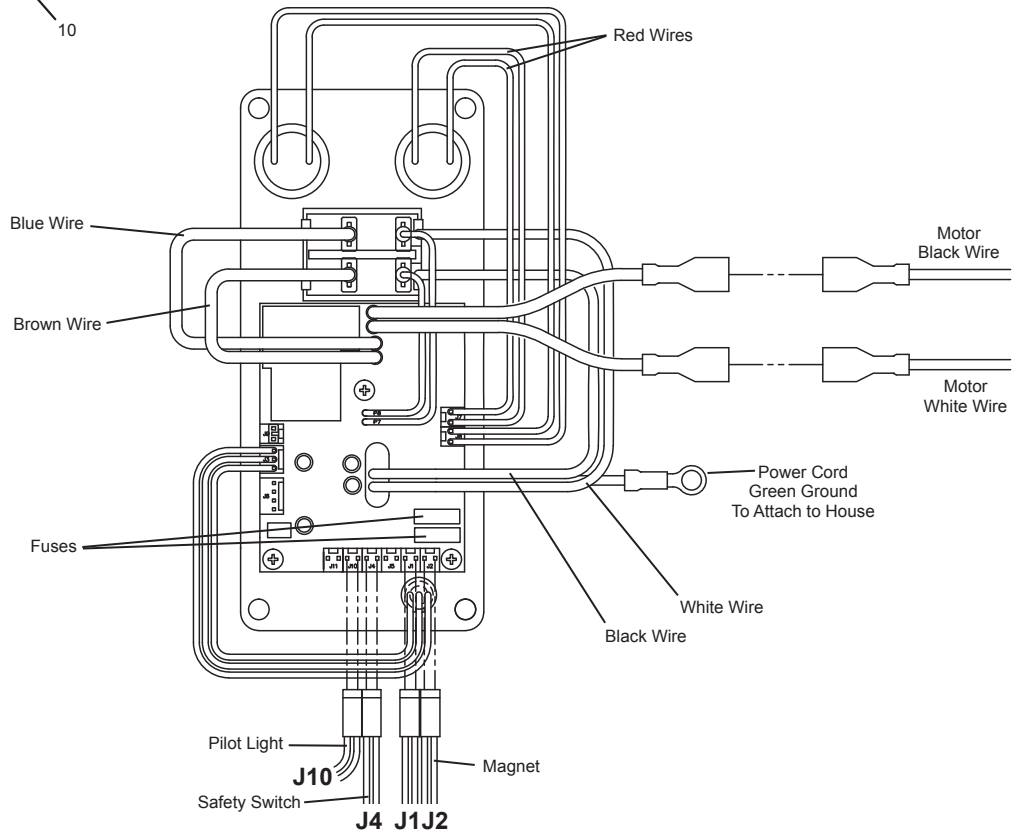
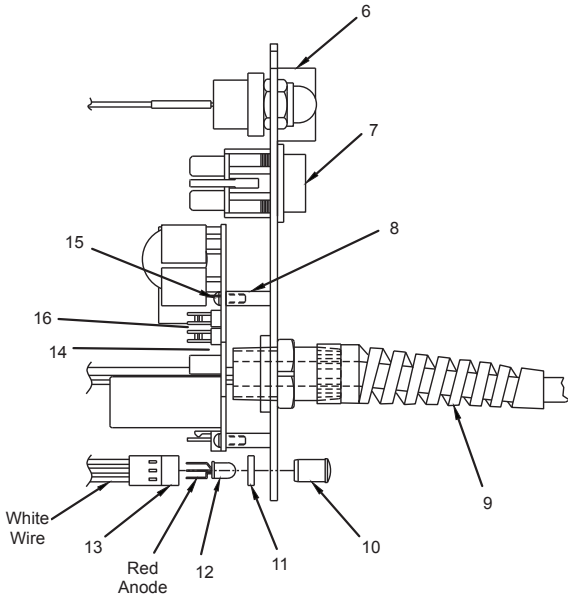
08517 6" D.O.C. Arbor Assembly			
Item	Part #	Description	Qty
40	40302	Retaining Ring	2
41	40301	Thrust Washer	2
42	05646	Quick Connect Fitting	1
43	40300	O-Ring	2
44	08592	Collar Inducer - Brass	1
45	07082	SCR BHC 1/4-28 x 1/4	1
46	08750	Arbor	1
47	40256	SCR-Set 5/16-18 x 3/8 Oval	1
48	40222	SCR-Set 7/16-14 x .305	2

07917 3" D.O.C. Arbor Assembly			
Item	Part #	Description	Qty
70	07075	Arbor - Coolant	1
71	40223	Collar Ejector	1
72	07079	Spring Seat	1
73	40256	SCR Set 5/16-18 x 3/8 Oval Pt	1
74	10517	Ring - Retaining Internal	2
75	40222	SCR Set 7/16-14 x .305	2
76	40312	Pin-Roll 3/16 dia x 1.564 Altered	1
77	05049	Spring - Comp	1
78	07436	Washer - Rubber	1
79	07440	Washer - Shim 12 x 18 x .5mm	1
80	40302	Ring - Retaining	2
81	40301	Washer, Thrust 1-3/8 x 2-1/16 x 1/32	2
82	07445	Coolant Inducer	1
	40300	O-Ring (<i>not shown</i>)	1
	07447	Fitting - Hose Barb Brass (<i>not shown</i>)	1
	07082	SCR BHC 1/4-28 x 1/4 (<i>not shown</i>)	1
83	40398	Ring - Retaining	1
84	40234	Washer, Thrust	2
85	08117	Front Support Bracket Assy.	1
86	40594	Hex Bolt 3/8-24 x 3	2
87	40391	Lock Washer Helical 3/8	2
88	40392	Washer Flat 3/8 Type A	2

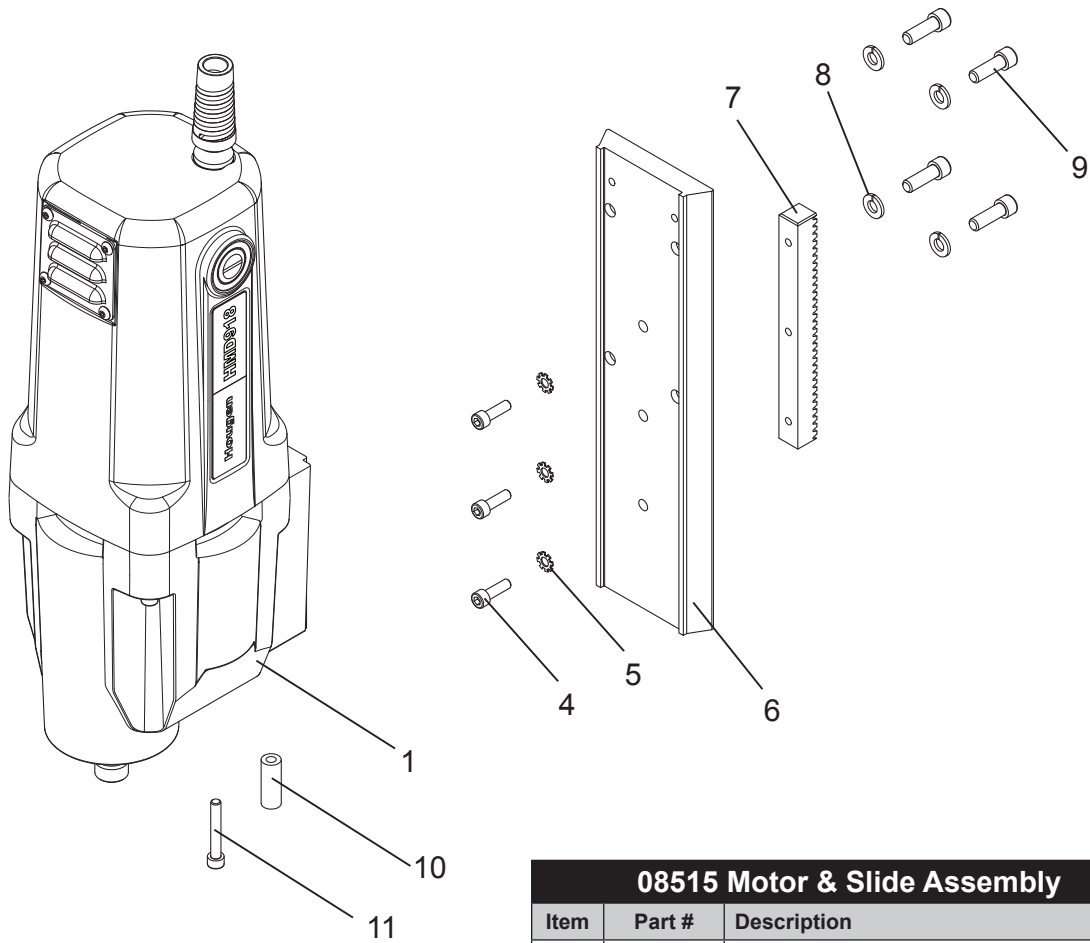
CONTROL PANEL BREAKDOWN & WIRING



08251 Panel Assembly			
Item	Part #	Description	Qty
1	08057	Faceplate	1
2	01335	Switch - Motor Off	1
3	01334	Switch - Motor On	1
6	01226	Guard Switch	1
7	04614	Magnet Switch	1
8	02548	Stand Off	3
9	24073	Power Cord Assembly	1
10	04879	Lens Clear L.E.D.	1
11	04878	Spacer L.E.D.	1
12	04881	Bulb L.E.D.	1
13	04877	Wire Harness L.E.D.	1
14	08646	Circuit Board-115V	1
15	02547	SCR #4-40 x 5/16 LG	3
16	07522	Fuse	2



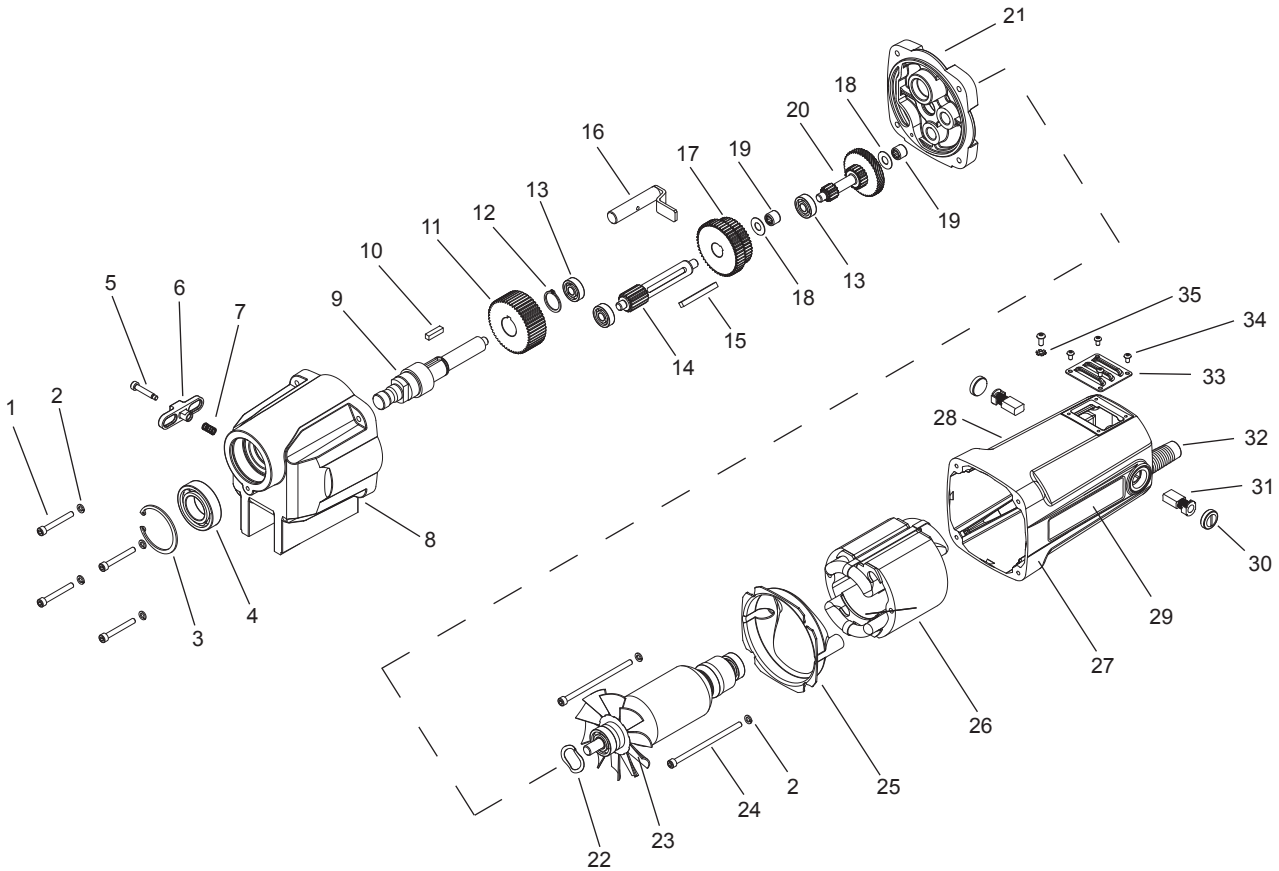
MOTOR SLIDE ASSEMBLY BREAKDOWN



08515 Motor & Slide Assembly

Item	Part #	Description	Qty
1	08526	Motor Complete Assembly	1
4	40038	SCR SHC #10-32 x 5/8 LG	3
5	10560	Lock Washer Ext. #10	3
6	08749	Slide - Dovetail	1
7	08528	Rack - Gear	1
8	90028	Lock Washer Helical 1/4	4
9	10624	SCR SHC 1/4-20 x 3/4	4
10	08622	Spacer	1
11	51044	SCR SHC 10-32 X 1-1/4	1

MOTOR PARTS DIAGRAM



08526 Motor Assembly

Item	Part #	Description	Qty	Item	Part #	Description	Qty
1	41048	SCR-SHC #10-32 x 1-1/2	4	20	07911	Assembly Gears #2 & #3	1
2	50038	Washer - Lock Helical #10	6	21	07828	Gear Box Cover	1
3	07860	Retaining Ring	1	22	08070	Washer - Spring	1
4	40274	Bearing 25MM x 47MM x 12MM	1	23	07890	Armature Assembly	1
5	08069	SCR-SHSLD 3/16 x 7/8	1	24	07895	SCR-SHC #10-32 x 3-1/2 LG	2
6	07908	Switch	1	25	07892	Baffle	1
7	07910	Spring-Comp	1	26	07891	Field	1
8	07826	Gear Box Housing	1	27	07896	Motor Brush Holder Assembly	1
9	07901	Spindel - Motor Drive	1	28	07876	Specs Label	1
10	07904	Key	1	29	08530	Motor Label	1
11	07900	Gear Spur Removable	1	30	24044	Brush Holder Cap	2
12	24160	Retaining Ring	1	31	24045	Carbon Brushes	2
13	24100	Ball Bearing	3	32	08338	Motor Cord	1
14	07899	Gear Spur Removable	1	33	07848	Cover, Brush Access	1
15	07905	Key	1	34	02385	SCR-BHC #6-32 x 1/4	4
16	07868	Shift Control Rod Arm	1	35	10538	Washer - Lock	1
17	07914	Assembly, Change gear	1				
18	17610	Washer - Flat 8mm	2				
19	07903	Needle Bearing	2				