



Operator's Manual
Original Operating Instructions
Edger

SN



Includes models:

23275

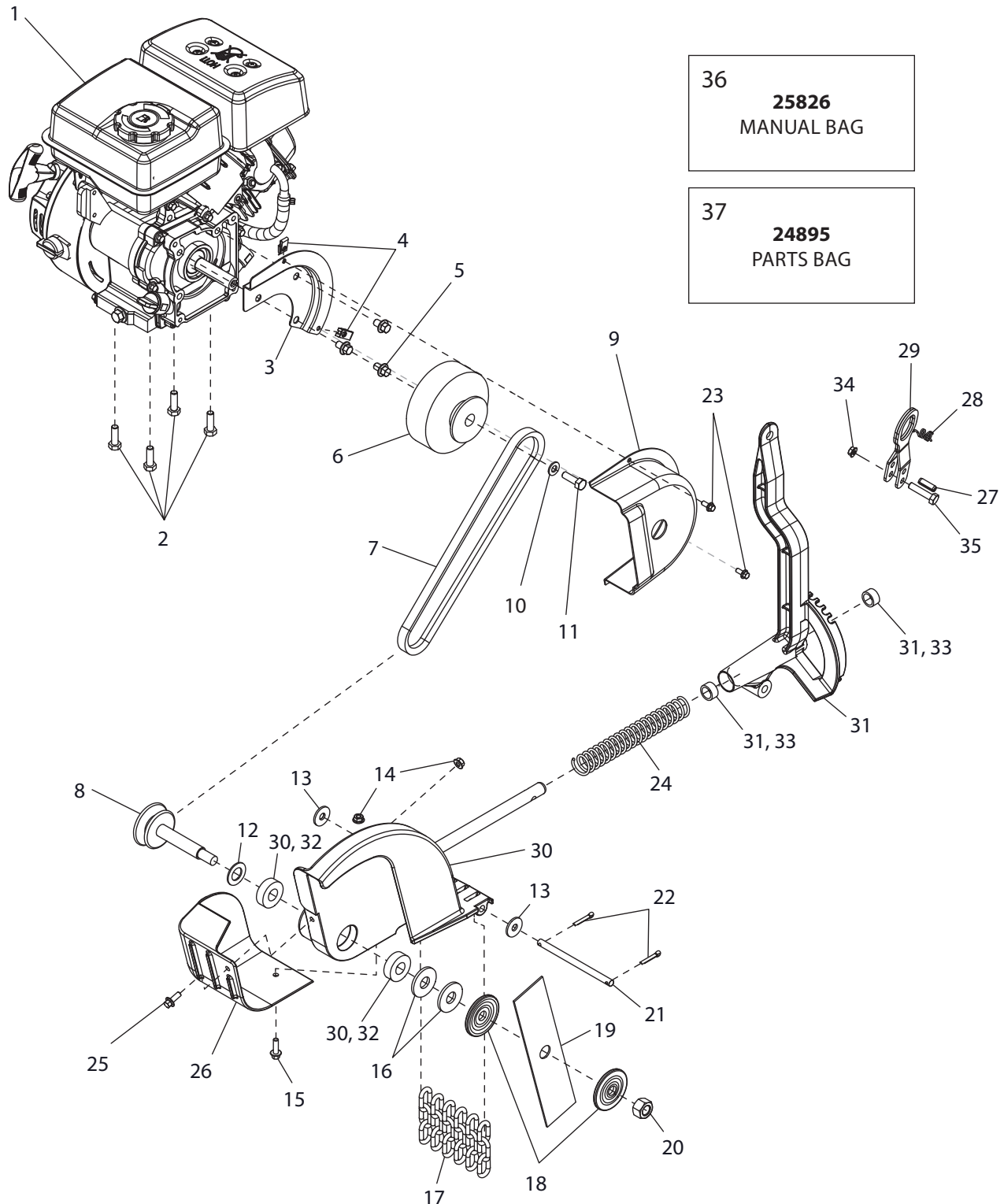
24000



P/N: 22945
ECN: 11775
REV3: 8/24/17
© 2017-2018 Ardisam, Inc.
All Rights Reserved

PARTS BREAKDOWN

EDGER TRANSMISSION AND BLADE PARTS EXPLOSION



EDGER TRANSMISSION AND BLADE PARTS LIST

KEY	PART #	DESCRIPTION	QTY.
1	25494	ENGINE R80V 79CC	1
2	24169	BOLT M8 X 25	4
3	23989	BRACKET CLUTCH SHIELD	1
4	23873	CAGE NUT M5	2
5	4711	BOLT M8 X 12	3
6	23487	CENTRIFUGAL CLUTCH	1
7	24021	BELT 4L310	1
8	24001	PULLEY WELDMENT	1
9	23645	CLUTCH SHIELD	1
10	26439	DRIVE SHAFT CAP M6	1
11	23511	BOLT M6 X 25	1
12	24148	WAVE WASHER M16	1
13	3245	WASHER M8	2
14	14109	NUT M6	2
15	25058	BOLT M6 X 22	1
16	24149	WASHER M14	2
17	23265	CHAIN LINK ASSEMBLY	6
18	23263	WASHER BLADE CLAMP	2
19	23262	BLADE	1
20	W1200129	NUT M14	1

KEY	PART #	DESCRIPTION	QTY.
21	24836	ROD CHAIN GUARD	1
22	22097	COTTER PIN 4 MM	2
23	400018	BOLT M5 X 12	2
24	23269	SPRING BELT TENSION CUTTING HEAD	1
25	67028	BOLT M6 X 16	1
26	23253	BELT GUARD FRONT	1
27	24170	ROLL PIN M8 X 24	1
28	23270	SPRING ANGLE ADJUSTMENT ARM	1
29	23230	HANDLE ANGLE ADJUSTMENT	1
30	25363	CUTTING HEAD BLADE SHIELD ASSEMBLY WITH BEARINGS & DECALS	1
31	25722	HEAD ARM CONTROL	1
32	23244	BEARING 15.75 ID X 35 OD X 11	2
33	23232	BUSHING 15 ID X 20 OD	2
34	16400	NUT M8	1
35	26961	BOLT M8 X 35	1
36	25826	MANUAL BAG	1
37	24895	PARTS BAG	1

EDGER PRODUCT DECALS

24937

DECAL EQ LOGO RECTANGULAR 2



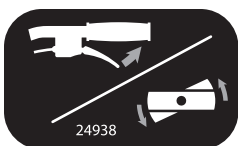
24941

DECAL BLADE ANGLE ADJUST EDGER

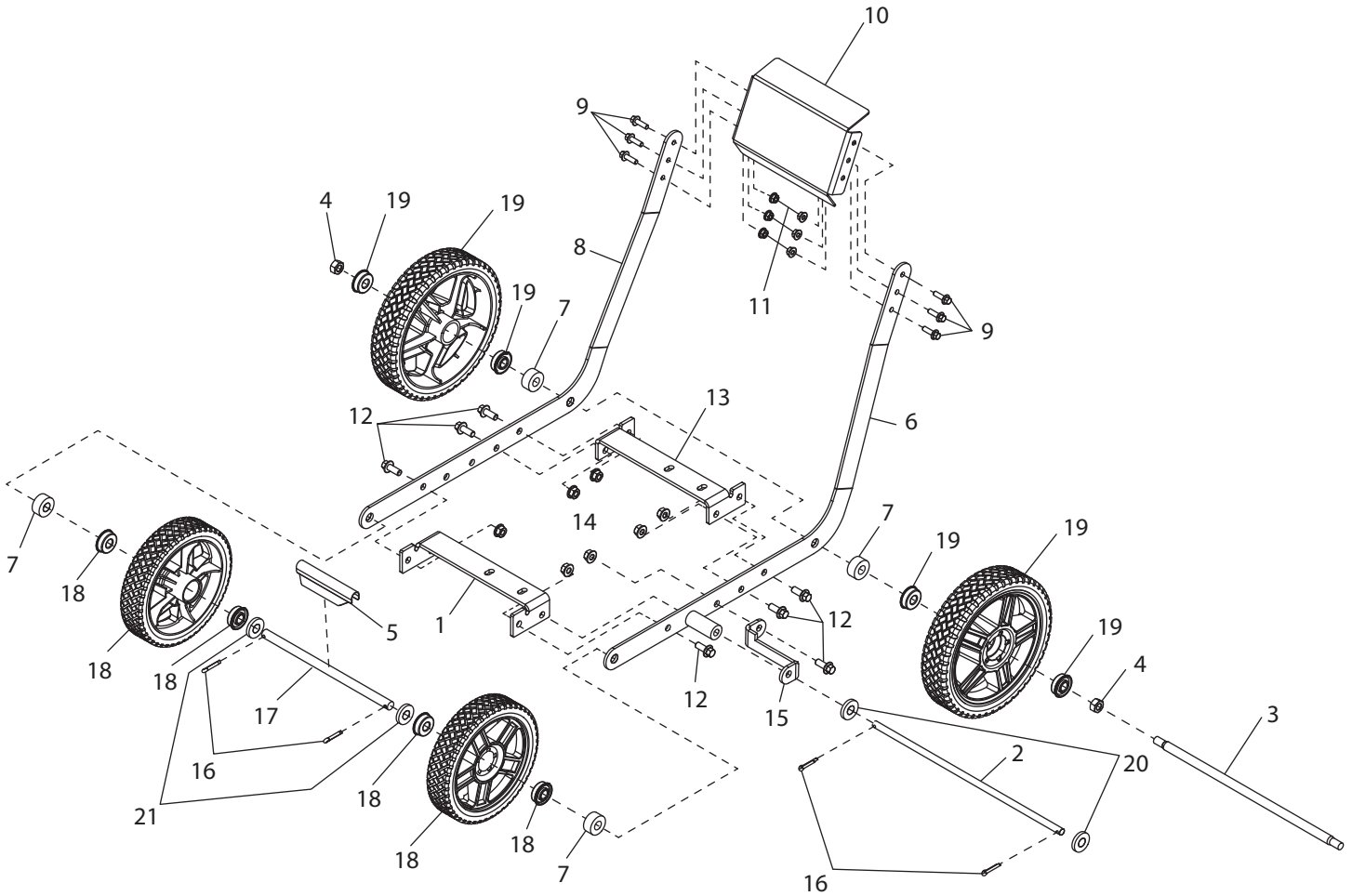


24938

DECAL THROTTLE CONTROL EDGER



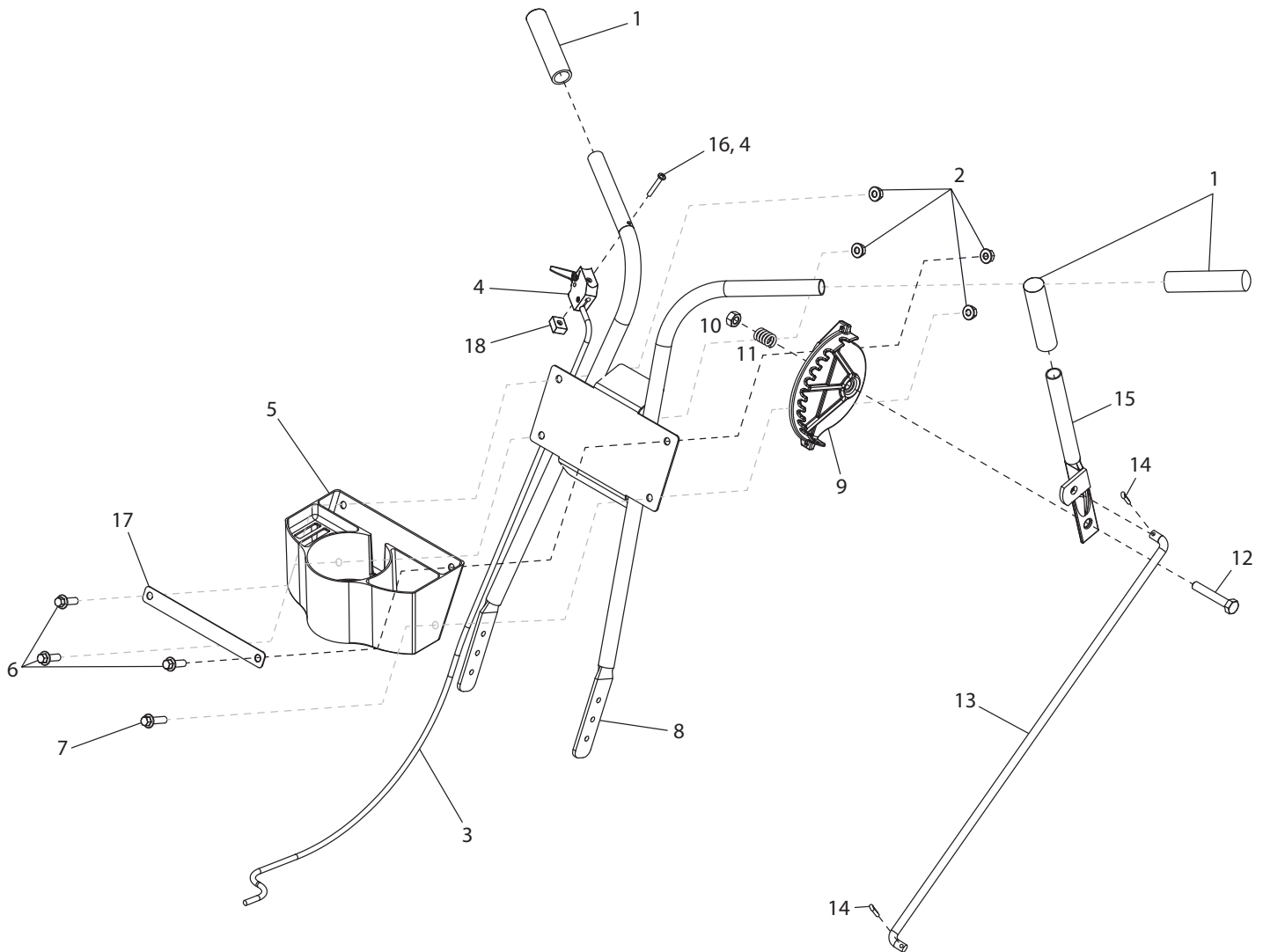
EDGER CHASSIS PARTS EXPLOSION AND LIST



KEY	PART #	DESCRIPTION	QTY.
1	23252	MOUNT VIPER ENGINE FRONT	1
2	23233	ROD PIVOT	1
3	23808	AXLE REAR	1
4	W1265V0903	NUT M10	2
5	23254	SPACER WHEEL POSITION	1
6	24030	BAR LEFT SIDE	1
7	23266	SPACER AXLE	4
8	23249	BAR RIGHT SIDE	1
9	25058	BOLT M6 X 20	6
10	25580	PANEL DASH WITH DECALS	1

KEY	PART #	DESCRIPTION	QTY.
11	14109	NUT M6	6
12	19945	BOLT M8 X 20	7
13	23251	MOUNT VIPER ENGINE REAR	1
14	16400	NUT M8	7
15	23229	DOUBLE ANGLE BRACKET	1
16	22097	COTTER PIN 4 MM	4
17	23239	AXLE FRONT	1
18	23240	TIRE FRONT	2
19	23234	TIRE REAR	2
20	W1200126	WASHER M10	2
21	50175	WASHER M12	2

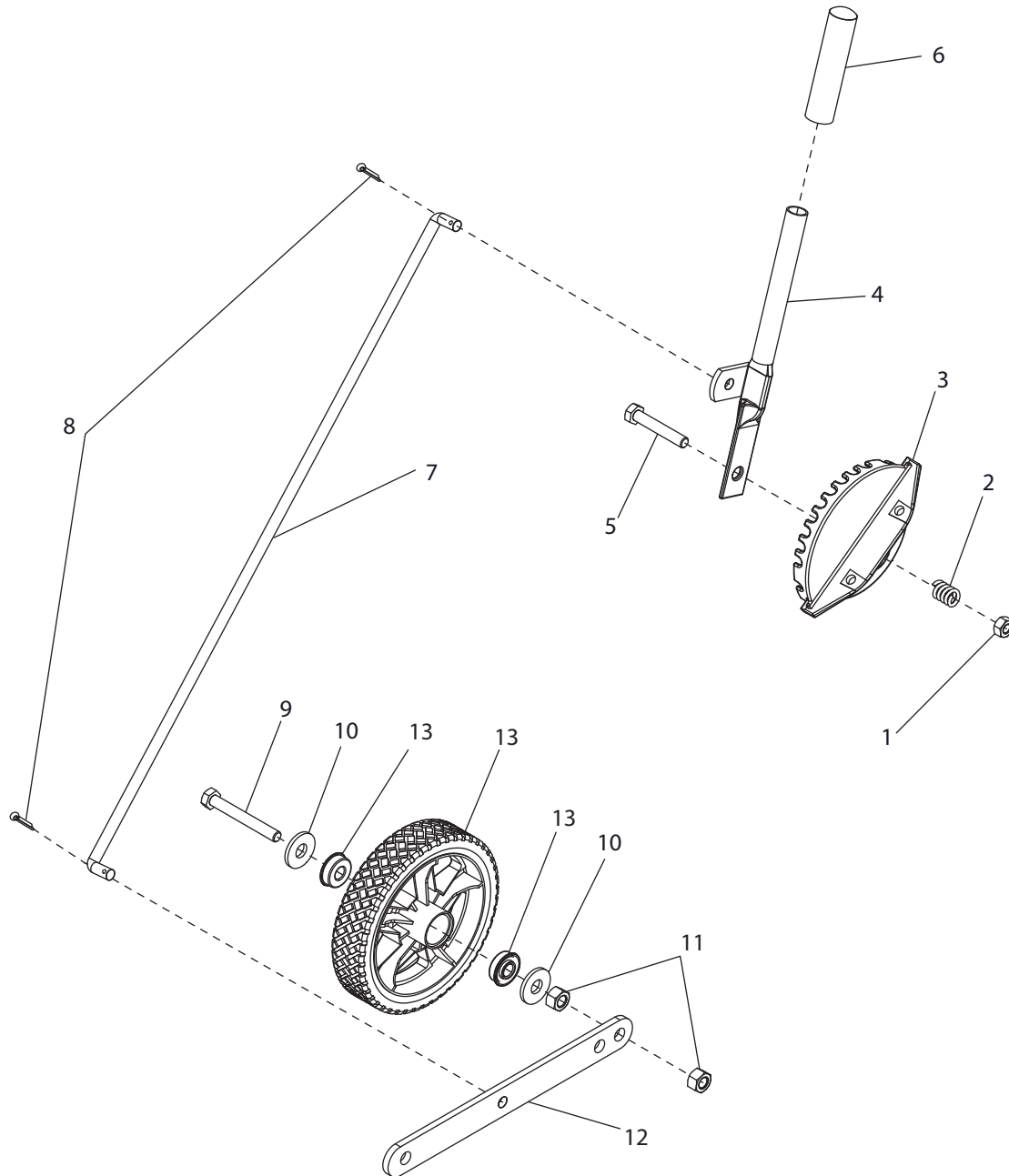
EDGER HANDLEBAR PARTS EXPLOSION AND LIST



KEY	PART #	DESCRIPTION	QTY.
1	23261	GRIP	3
2	16400	NUT M8	4
3	23245	THROTTLE CABLE	1
4	26771	TRIGGER	1
5	24769	CUP AND TOOL HOLDER	1
6	64617	BOLT M8 X 25	3
7	3244	BOLT M8 X 30	1
8	25712	HANDLE BAR WITH DECALS	1
9	23259	BRACKET HEIGHT ADJUSTER	1

KEY	PART #	DESCRIPTION	QTY.
10	W1265V0903	NUT M10	1
11	23268	SPRING FOR HEIGHT ADJUSTMENT	1
12	18844	BOLT M10 X 20	1
13	23260	ROD CONTROL	1
14	22097	COTTER PIN 4 MM	2
15	23246	HEIGHT SELECTOR	1
16	10888	BOLT M5 X 30	1
17	26930	STRAP TOOL & CUP HOLDER	1
18	17056	SQUARE NUT M5	1

(OPTIONAL) EDGER CURB WHEEL KIT PARTS EXPLOSION AND LIST (24024)



KEY	PART #	DESCRIPTION	QTY.
1	W1265V0903	NUT M10	1
2	23268	SPRING FOR HEIGHT ADJUST	1
3	23259	BRACKET HEIGHT ADJUSTER	1
4	23985	HANDLE WHEEL HEIGHT SELECTOR	1
5	18844	BOLT M10 X 20	1
6	23261	GRIP	1
7	23809	ROD CONTROL CURB WHEEL	1

KEY	PART #	DESCRIPTION	QTY.
8	22097	COTTER PIN 4 MM	2
9	25318	BOLT M12 X 80	1
10	50175	WASHER M12	2
11	25131	NUT M12	2
12	23984	LEG CURB WHEEL	1
13	23240	WHEEL WITH BEARINGS	1