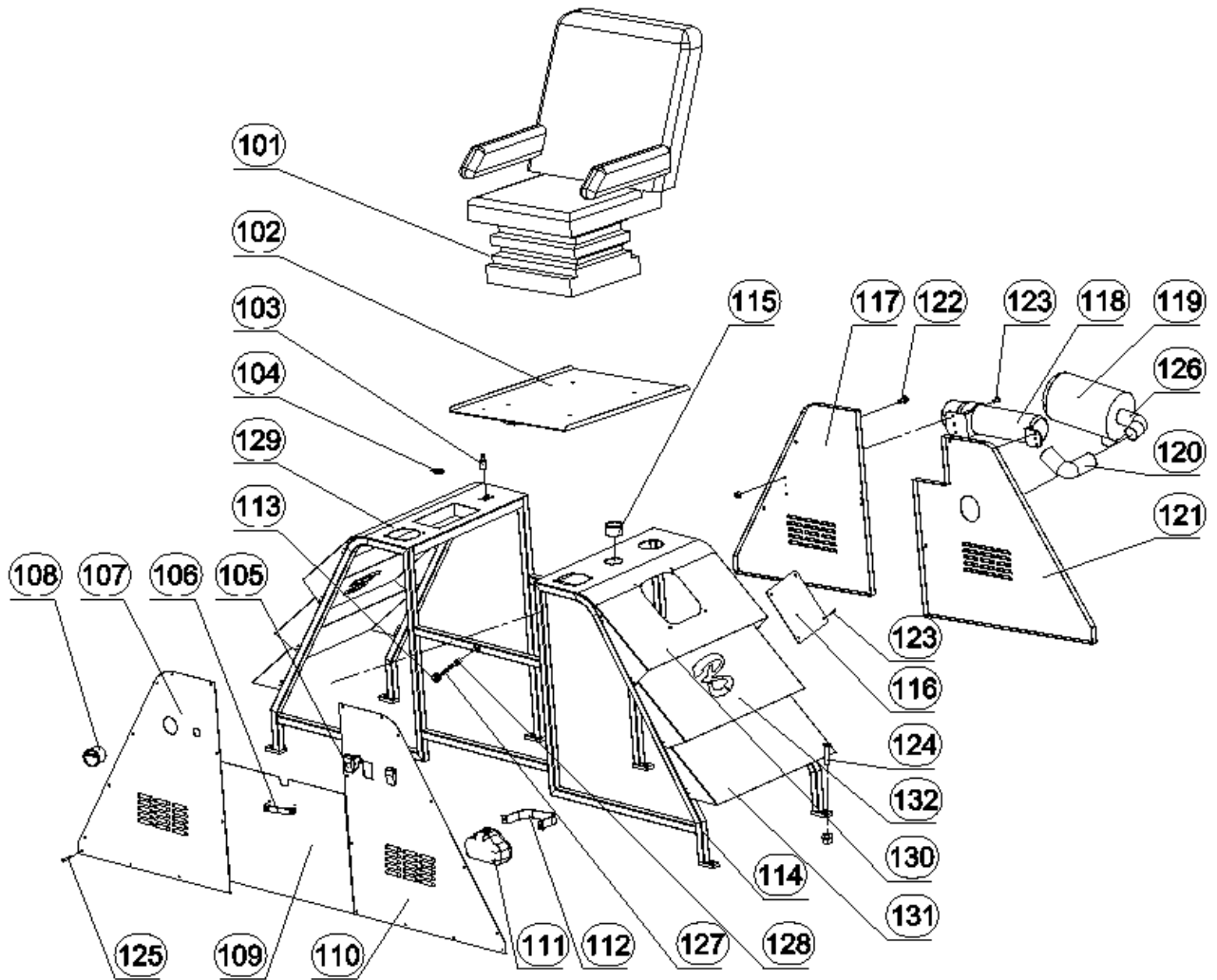


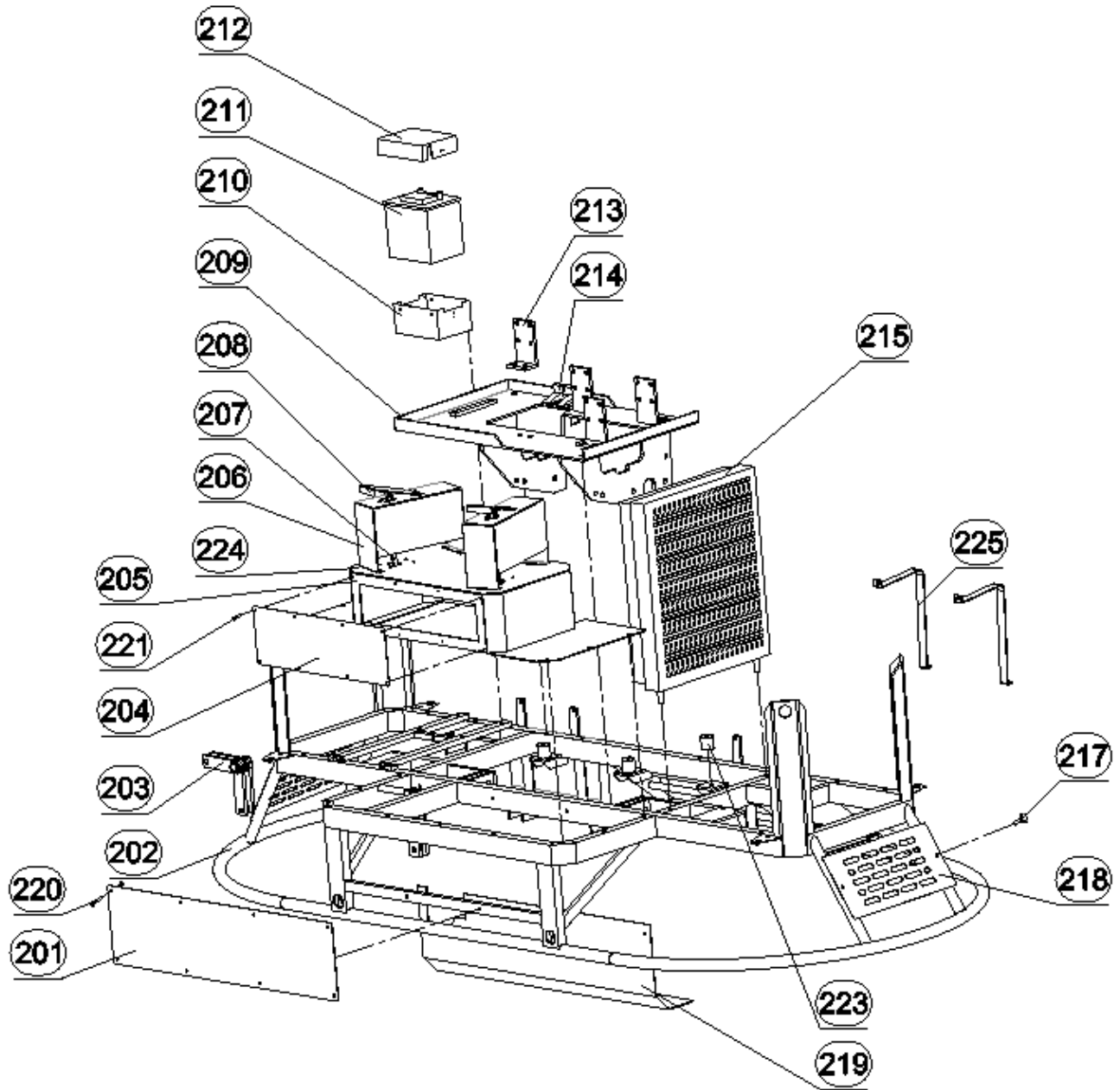
**PARTS LIST 1 – BRTH96**



**PARTS LIST 1 – Upper Frame**

Item #	Part #	Description	QTY	Remarks
101	881046H0453A	CHAIR WITH CUSHION	1	
102	881046H8200	CHAIR PLATE	1	
103	889271	CIRCUIT BREAKER	1	
104	889334	USB CHARGER	1	
105	889641	LIGHT SWITCH	2	
106	889678	HANDLE	1	
107	881046H8016-BT	FRONT PANEL RIGHT	1	
108	889909	TIMER	1	
109	881046H8019	FRONT PANEL	1	
110	881046H8015-BT	FRONT PANEL LEFT	1	
111	889666	COOLANT CONTAINER	1	
112	881046H8002	CLAMP	1	
113	881046H8301	CHAIR LOCK	1	
114	881046H8100-BT	CHAIR FRAME	1	
115	889654	WATER TEMPERATURE GAUGE	1	
116	881046H8021-BT	COVER PLATE	1	
117	881046H8502-BT	BACK PANEL RIGHT	1	
118	889593	MANUAL HOLDER	1	
119	889676	AIR FLITER	1	
120	881046H3703	RUBBER HOSE	1	
121	881046H8501-BT	BACK PANEL LEFT	1	
122	889121	M8-1.25x45MM, WITH LOCKWASHER	8	
123	889220	M6x15 HHCS	10	
123	889023	M6 NYLOCK NUT	10	
124	889921	M10x90 HHCS	6	
124	889016	M10 NYLOCK NUT	6	
125	889779	M5x12 HHCS WITH CROSS	24	
126	889674	SILICONE HOSE	1	
127	881046H8304	SPRING	1	
128	881046H8302	PIN	1	
129	881046H8018-BT	SIDE PANEL	1	
130	881046H8017-BT	SIDE PANEL	1	
131	881046H8018- BT(B)	SIDE PANEL	2	
132	881046H8018- BT(C)	SIDE PANEL	2	

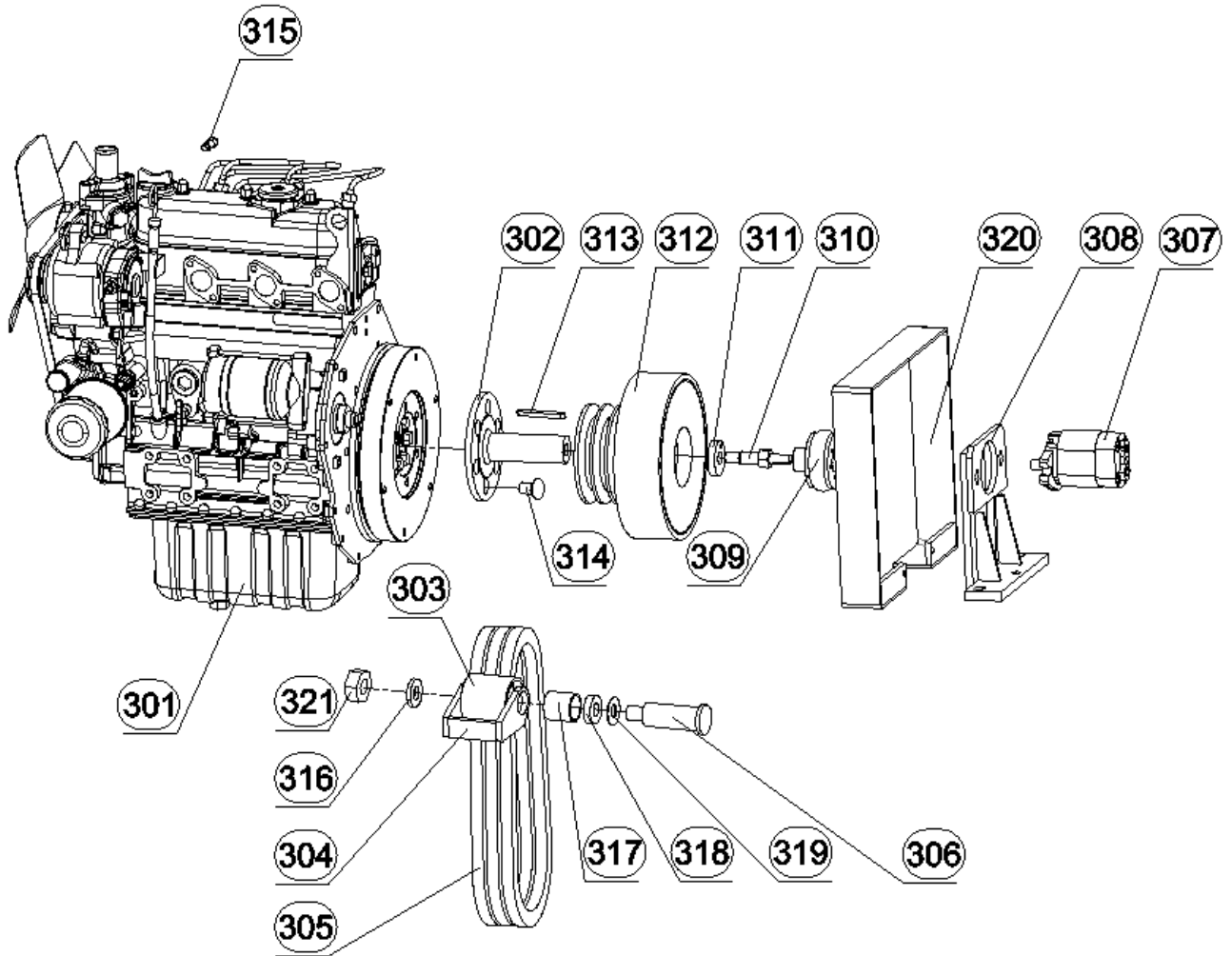
**PARTS LIST 2 – BRTH96**



**PARTS LIST 2 – Lower Frame**

Item #	Part #	Description	QTY	Remarks
201	881046H8404	FRONT PANEL BOTTOM	1	
202	881046H0000-BT	GUARD RING	1	
203	881046H2200	STEERING PIVOT	1	
204	881046H8406	FRONT PANEL MIDDLE	1	
205	881046H8400	PLATFORM	1	
206	881046H4200	PEDAL SUPPORT	2	
207	881046H4001	THROTTLE LEVER	2	
208	888360592a	THROTTLE PEDAL	2	
209	881046H3400	ENGINE DECK	1	
210	888360464	BATTERY BOX	1	
211	888360019	BATTERY	1	
212	888360463	BATTERY COVER	1	
213	881046H3003	ENGINE BRACKET	4	
214	881046H3100	TENSIONER	1	
215	12112	RADIATOR	1	
217	889121	M8-1.25x55MM, WITH LOCKWASHER	4	
218	881046H8006	COVER PLATE	2	
219	881046H8600	FENDER	1	
220	889317	M6x40 HHCS	8	
220	889023	M6 NYLOCK NUT	8	
221	889779	M5x12 HHCS WITH CROSS	20	
223	881046H4602	CUSHION	6	
224	881046H8402B	PLATE	1	
225	881046H1503-BT	CLAMP	4	

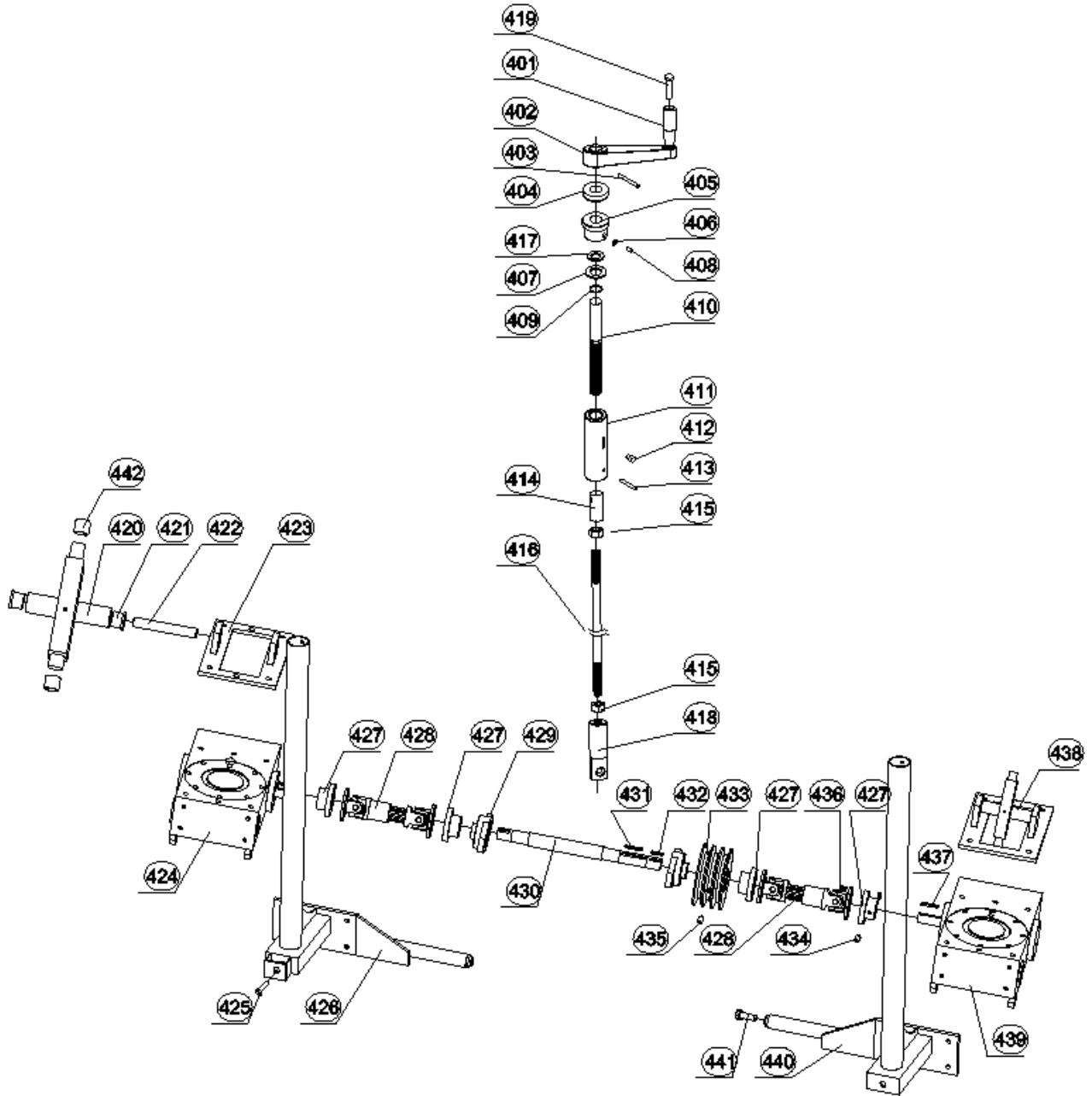
**PARTS LIST 3 – BRTH96**



**PARTS LIST 3 – Power System**

Item #	Part #	Description	QTY	Remarks
301	8831000038	44HP DIESEL ENGINE	1	
302	881046H3004	FLANGE	1	
303	881046H3305	ROLLER	1	
304	881046H3200	TENSIONER	1	
305	889598	BELT (GATES V15X1080)	6	
306	881046H3301	TENSIONER SHAFT	1	
307	889797	HYDRAULIC PUMP	1	
308	881046H2100	PUMP MOUNTING	1	
309	889809	TYRE COUPING	1	
310	881046H3005	SHAFT	1	
311	881046H3006	SPACER	1	
312	881046H3800	CLUTCH	1	
313	889787	KEY	1	
314	889658	M10-1.25x28 FHCS	6	
315	889946	WATER TEMPERATURE PLUG	1	
316	881046H3303	SPACER	1	
317	881046H3302	SPACER	1	
318	889075	BEARING	2	
319	881046H3304	SPACER	2	
320	881046H3403	BELT HOLDER	1	

**PARTS LIST 4 – BRTH96**

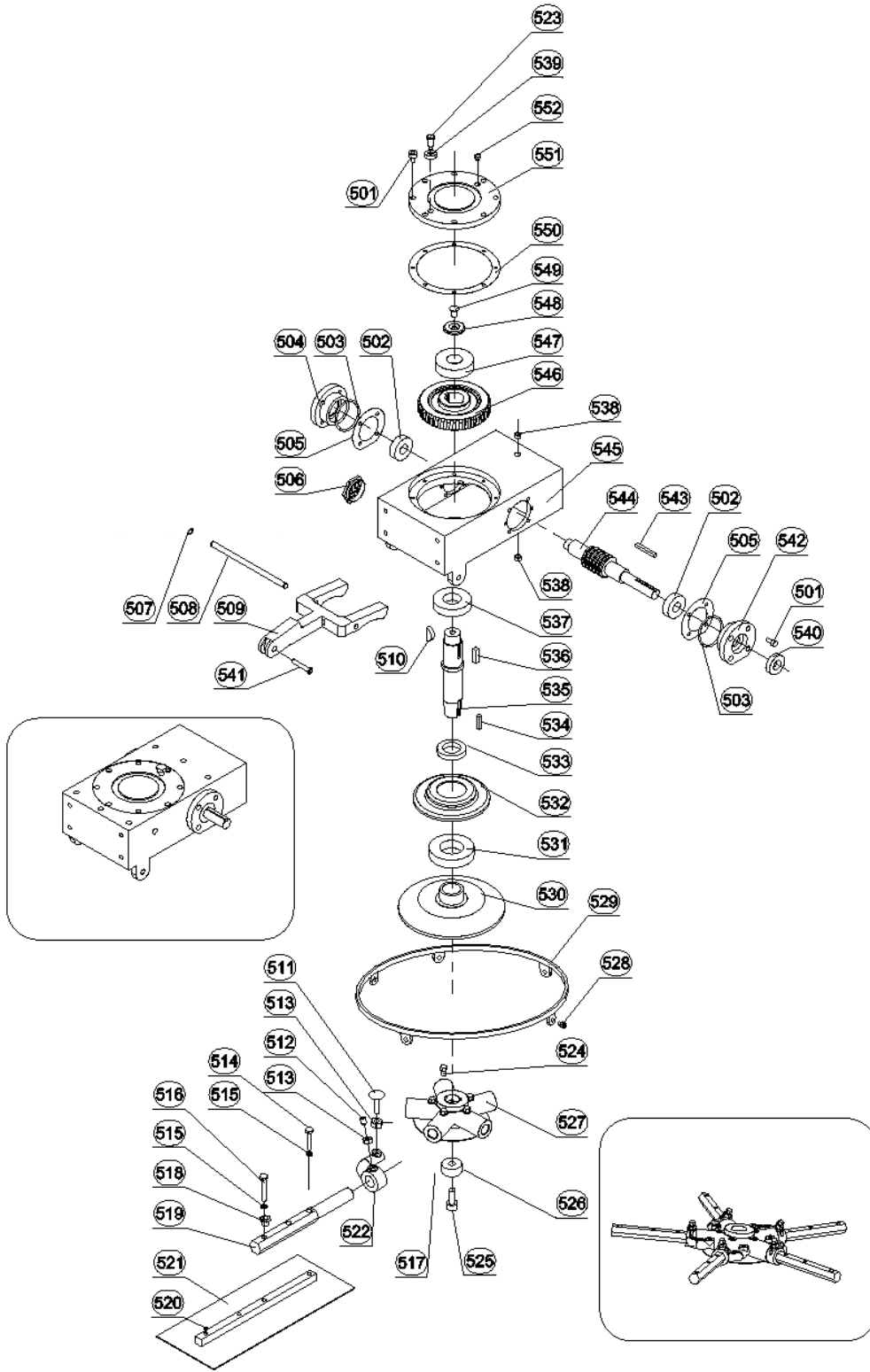


**PARTS LIST 4 – Steering & Drivetrain**

Item #	Part #	Description	QTY	Remarks
401	881046H5004	PITCH KNOB	2	
402	881046H5006	PITCH KNOB	2	
403	889157A	PIN	2	
404	889025	BEARING	2	
405	88JG846A050004	BUSHING	2	
406	889022	SPRING WASHER	2	
407	884365504	SPACER	2	
408	889093	M6×10 HHCS	2	
409	889027	STAIBILIZER	2	
410	884365503	ADJUSTING SHAFT	2	
411	88JG846A050006	BUSHING	2	
412	889028	M6×6 HHCS	2	
413	889610	PIN	2	
414	88JG846A050008	CONNECTOR	2	
415	889059	M10 JAM NUT	4	
416	881046H5005	ROD	2	
417	889033	WAVE WASHER	2	
418	88JG846A050007	CONNECTOR	2	
419	889383	M10×110 HHCS	2	
420	881046H5300	CROSS SHAFT	1	
421	889635	BEARING	2	
422	881046H5001	PIVOT	1	
423	881046H5200	HANGING BRACKET RIGHT	1	
424	881046H6000R	GEARBOX RIGHT	1	
425	889511	BOLT	1	
425	889513	M14 NYLOCK NUT	1	
426	881046H5400R	PITCH CONTROL BRACKET RIGHT	1	
427	881046H3605	FLANGE	4	
428	881046H3600	COUPLING	2	
429	889633	BEARING	2	
430	881046H3001	MAIN SHAFT	1	
431	889663	KEY	1	
432	889710	KEY	2	
433	881046H3002	PULLEY	1	
434	889101	M8×12 FHCS	8	
435	889447	M6×8 FHCS	2	
436	889098	M8×20 HHCS	16	
436	889016	M10 NYLOCK NUT	16	

437	889217	KEY	2	
438	881046H5100	HANGING BRACKET LEFT	1	
439	881046H6000L	GEARBOX LEFT	1	
440	881046H5400L	PITCH CONTROL BRACKET LEFT	1	
441	889512	BOLT	2	
442	889634	BEARING	4	

**PARTS LIST 5 – BRTH96**

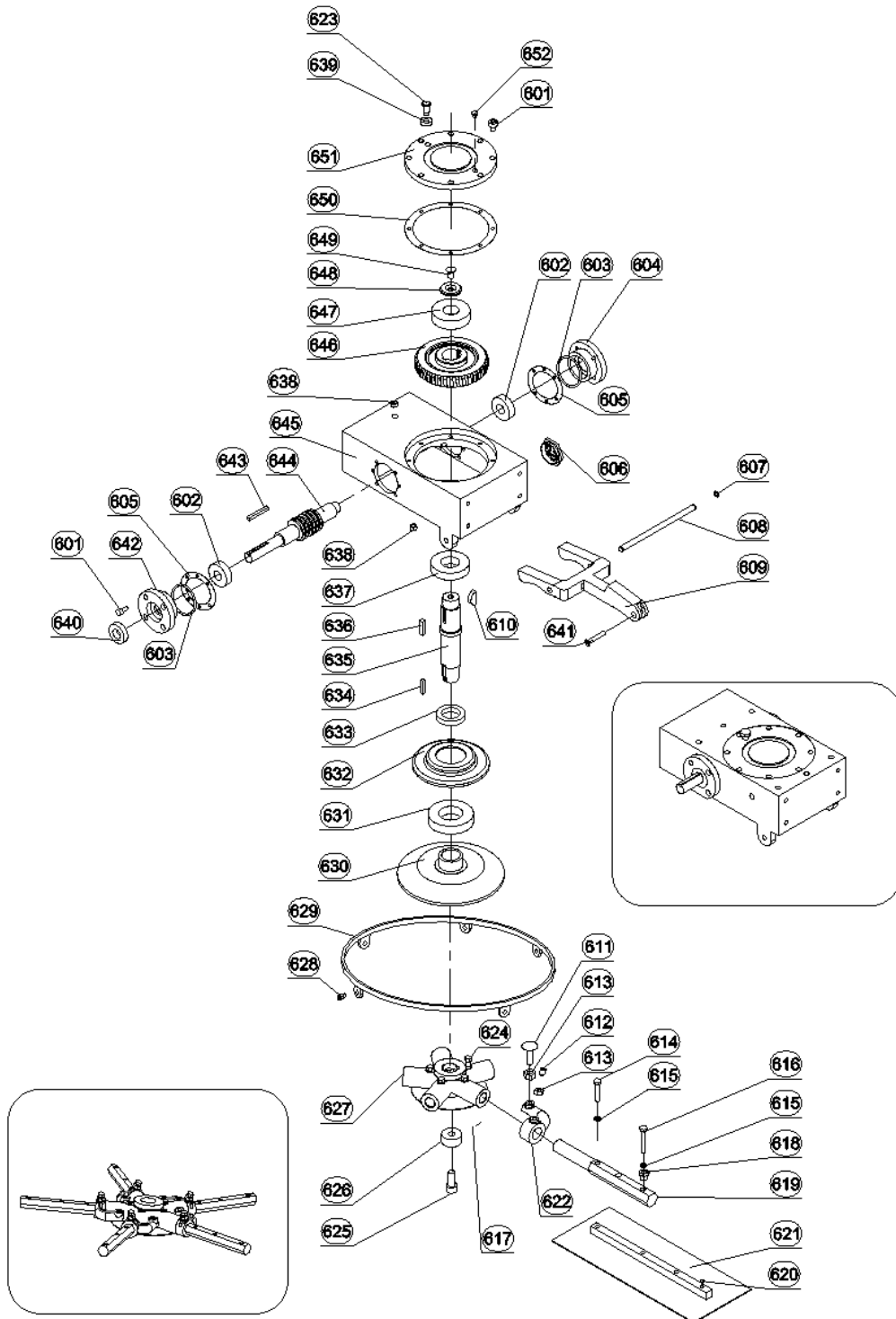


**PARTS LIST 5 – Right Gearbox**

Item #	Part #	Description	QTY	Remarks
501	889118	M8x20 HHCS	20	
502	889790	BEARING	2	
503	889371	O SEAL	2	
504	881046H6308	FLANGE	1	
505	881046H6312	SHIMMING	4	
506	889064	OIL VIEWER	1	
507	889643	STABILIZER	2	
508	881046H5002	YOKE ARM PIVOT	1	
509	881046H5003	YOKE ARM	1	
510	889675	WOODRUFF KEY	1	
511	889067	M10x35 CARRIAGE BOLT	5	
512	889540	M10x25 HEX SET SCREW	5	
513	889059	M10 JAM NUT	10	
514	889698	5/16"-18 x 7/4" HHCS	10	
515	889037	SPRING WASHER	15	
515	889038	WASHER	15	
516	889699	5/16"-18 x 7/4" HHCS	5	
517	889069B	GREASE FITTING	5	
518	884366007	ADJUSTING BOLT	5	
519	881046H7001	TROWEL ARM	5	
520	889072	PLUG	10	
521		BLADE	5	
522	881046H6006R	ANGLE ARM	5	
523	88846A060013	VAVLE	1	
524	889066	M10x20 HHCS	5	
524	889046	SPRING WAHSER	5	
525	889068	M12x35 HHCS	1	
526	881046H7006	BUSHING	1	
527	881046H7005	SIPDER PLATE RIGHT	1	
528	889147	M8x12 HHCS	5	
529	881046H7100	STABILIZER RING	1	
530	881046H7003	PRESSURE PLATE	1	
531	889628	BEARING	1	
532	881046H7002	PRESSURE PLATE CAP	1	
533	889632	SEAL	1	
534	889697	KEY	1	
535	881046H6306	MAIN SHAFT	1	
536	889663	KEY	1	

537	889680	BEARING	1	
538	889053	PLUG	2	
539	88846A060014	M14x9 CUSTOM NUT	1	
540	889631	SEAL	1	
541	889704	M10x45 HHCS	1	
541	889016	M10 NYLOCK NUT	1	
542	881046H6307	FLANGE	1	
543	889217	KEY	1	
544	881046H6309	COUNTER SHAFT RIGHT	1	
545	881046H6302	GEARBOX CASTING RIGHT	1	
546	881046H6100	BRONZE GEAR RIGHT	1	
547	889789	BEARING	1	
548	881046H6304	PRESSURE RING	1	
549	889145	M10x25 FHCS	1	
550	881046H6311	SHIMMING	2	
551	881046H6303	GEARBOX COVER	1	
552	884364100	VALVE	1	

**PARTS LIST 6 – BRTH96**

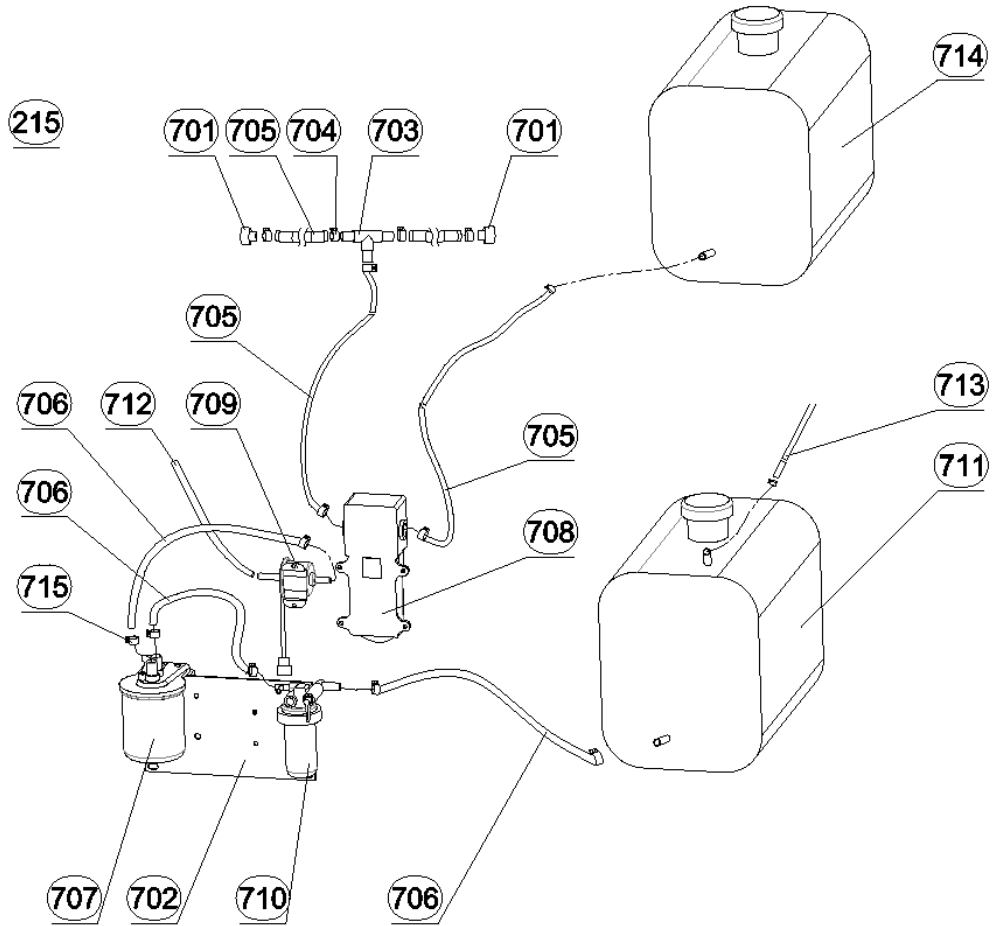


**PARTS LIST 6 – Left Gearbox**

Item #	Part #	Description	QTY	Remarks
601	889118	M8x20 HHCS	20	
602	889790	BEARING	2	
603	889371	O SEAL	2	
604	881046H6308	FLAGNE	1	
605	881046H6312	SHIMMING	4	
606	889064	OIL VIEWER	1	
607	889643	STABILIZER	2	
608	881046H5002	YOKE ARM PIVOT	1	
609	881046H5003	YOKE ARM	1	
610	889675	WOODRUFF KEY	1	
611	889067	M10x35 CARRIAGE BOLT	5	
612	889540	M10x25 HEX SET SCREW	5	
613	889059	M10 JAM NUT	10	
614	889698	5/16"-18 x 7/4" HHCS	10	
615	889037	SPRING WASHER	15	
615	889038	WASHER	15	
616	889699	5/16"-18 x 7/4" HHCS	5	
617	889069B	GREASE FITTING	5	
618	884366007	ADJUSTING BOLT	5	
619	881046H7001	TROWEL ARM	5	
620	889072	PLUG	10	
621		BLADE	5	
622	881046H6006L	ANGLE ARM	5	
623	88846A060013	VAVLE	1	
624	889066	M10x20 HHCS	5	
624	889046	SPRING WASHER	5	
625	889068	M12x35 HHCS	1	
626	881046H7006	BUSHING	1	
627	881046H7004	SPIDER PLATE LEFT	1	
628	889147	M8x12 HHCS	5	
629	881046H7100	STABILIZER RING	1	
630	881046H7003	PRESSURE PLATE	1	
631	889628	BEARING	1	
632	881046H7002	PRESSURE PLATE CAP	1	
633	889632	SEAL	1	
634	889697	KEY	1	
635	881046H6305	MAIN LEFT	1	
636	889663	KEY	1	

637	889680	BEARING	1	
638	889053	PLUG	2	
639	88846A060014	M14x9 CUSTOM NUT	1	
640	889631	SEAL	1	
641	889704	M10x45 HHCS	1	
641	889016	M10 NYLOCK NUT	1	
642	881046H6307	FLANGE	1	
643	889217	KEY	1	
644	881046H6310	COUNTER SHAFT LEFT	1	
645	881046H6301	GEARBOX CASTING LEFT	1	
646	881046H6200	BRONZE GEAR LEFT	1	
647	889789	BEARING	1	
648	881046H6304	PRESSURE RING	1	
649	884364007	M10x25 LH BLADE END ADJUSTMENT NUT	1	
650	881046H6311	SHIMMING	2	
651	881046H6303	GEARBOX COVER	1	
652	884364100	VALVE	1	

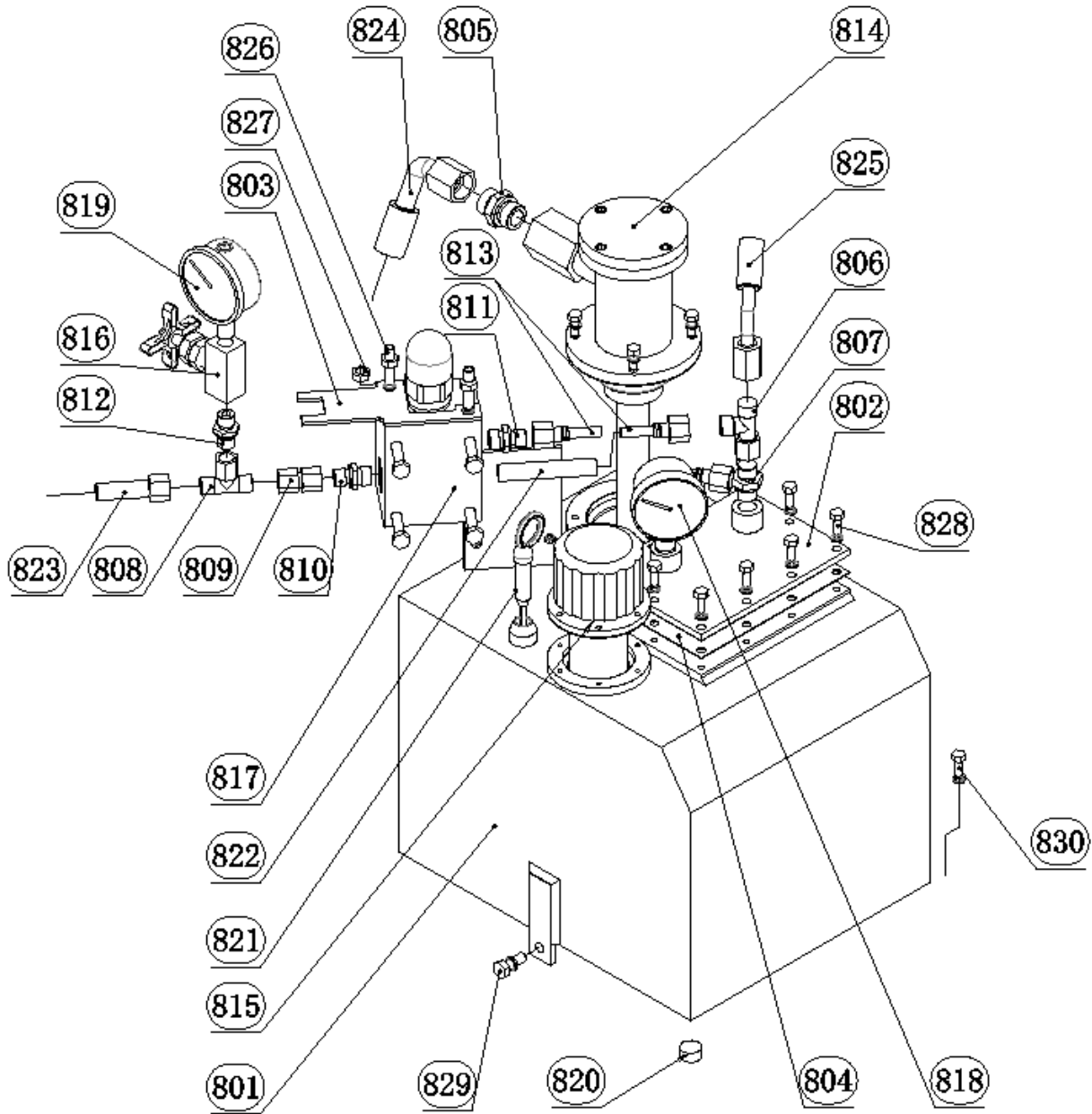
**PARTS LIST 7 – BRTH96**



**PARTS LIST 7 – Water & Fuel**

Item #	Part #	Description	QTY	Remarks
701	88846A80010	NOZZLE	2	
702	881046H4400	MOUNGTING PLATE	1	
703	889571	T COCK	1	
704	881071	HOOP	8	
705	8810202003	WATER HOSE	4	
706	8810202004	FUEL HOSE	3	
707	889860	FUEL FILTER	1	
708	881067	WATER PUMP	1	
709	889868	FUEL PUMP	1	
710	889859	FUEL-WATER SEPARATOR	1	
711	881046H4806	FUEL TANK	1	
712	889864	FUEL HOSE	1	
713	889865	FUEL HOSE	1	
714	881046H4807	WATER TANK	1	
715	889861	CLAMP	10	

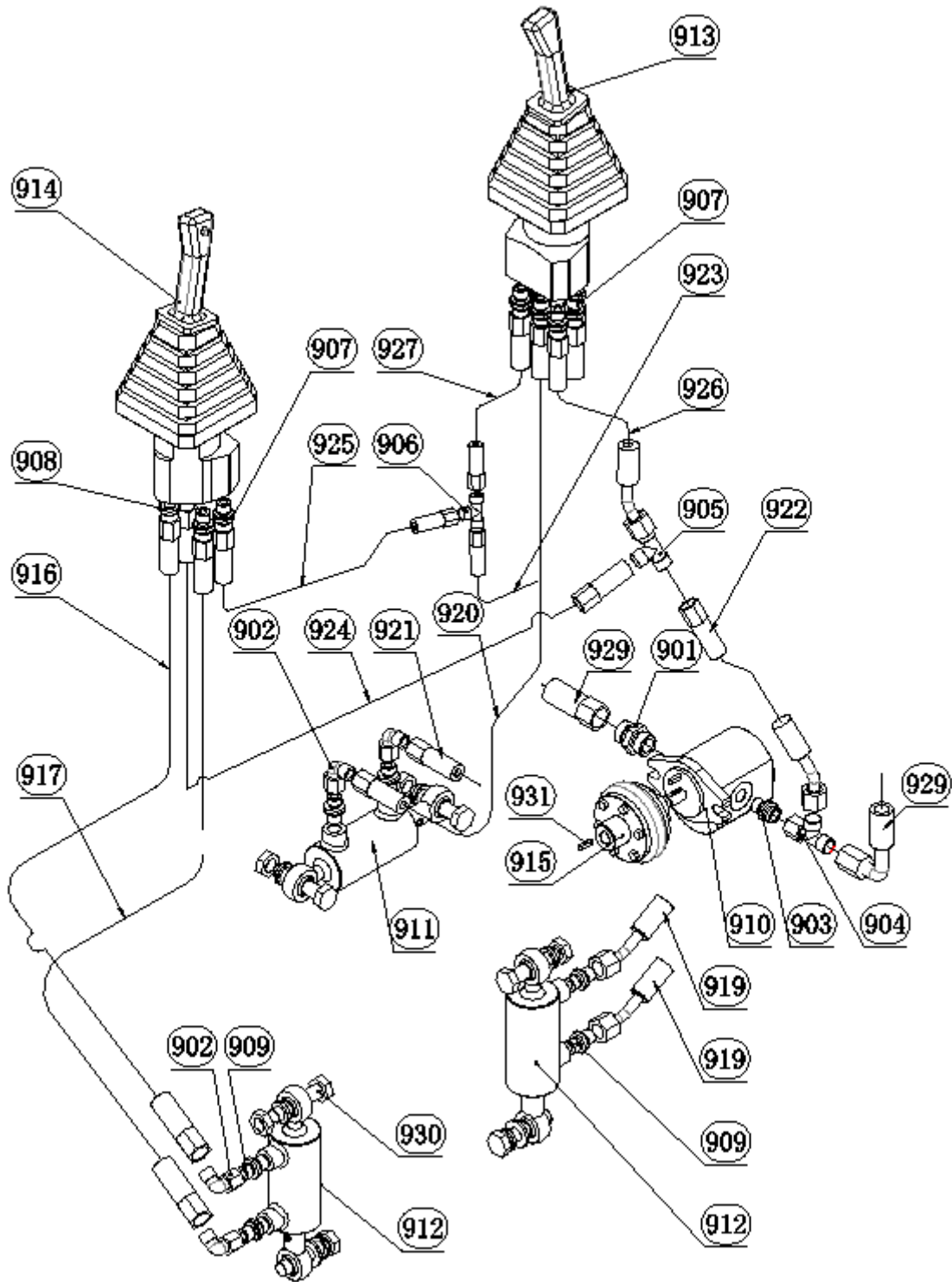
**PARTS LIST 8 – BRTH96**



**PARTS LIST 8 – Hydraulics 1**

Item #	Part #	Description	QTY	Remarks
801	881046H-YX	OIL TANK	1	
802	881046H-FLG	FLANGE	1	
803	881046H-FJ3	FLANGE	1	
804	881046H-FJ8	RUBBER MAT	1	
805	889815	CONNECTOR	1	
806	889819	T COCK	2	
807	889828	CONNECTOR	1	
808	889821	T COCK	1	
809	889829	CONNECTOR	1	
810	889831	CONNECTOR	1	
811	889832	CONNECTOR	1	
812	889830	CONNECTOR	1	
813	889845	CONNECTOR	2	
814	889791	OIL FILTER	1	
815	889793	AIR FILTER	1	
816	889795	VALVE	1	
817	889804	SPILL VALVE	1	
818	889806	TEMPERATURE METER	1	
819	889808	OIL PRESSURE METER	1	
820	889811	PLUG	1	
821	889812	OIL GAUGE	1	
822	881046HRG-15	HOSE	1	
823	881046HRG-13	HOSE	1	
824	881046HRG-14	HOSE	1	
825	881046HRG-8	HOSE	1	
826	889705	SCREW	2	
826	889236	NUT	2	
827	889032	NUT	2	
828	889133	BOLT	14	
828	889330	WASHER	10	
828	889022	SPRING WASHER	14	
829	889315	BOLT	1	
829	889038	WASHER	1	
829	889037	SPRING WASHER	1	
829	889236	NUT	1	
830	889098	BOLT	2	
830	889038	WASHER	2	
830	889037	SPRING WASHER	2	

**PARTS LIST 9 – BRTH96**



**PARTS LIST 1 – Hydraulics 2**

Item #	Part #	Description	QTY	Remarks
901	889833	CONNECTOR	1	
902	889817	CONNECTOR	4	
903	889818	CONNECTOR	1	
904	889819	T COCK	2	
905	889822	T COCK	1	
906	889823	T COCK	1	
907	889824	CONNECTOR	10	
908	889825	PLUG	2	
909	889827	CONNECTOR	6	
910	889797	GEAR PUMP	1	
911	889798	HYDROCYLINDER	1	
912	889799	HYDROCYLINDER	2	
913	889801-Y	HYDRAULIC CONTROL LEVER	1	
914	889801-Z	HYDRAULIC CONTROL LEVER	1	
915	889809	COUPLING	1	
916	881046HRG-1	HOSE	1	
917	881046HRG-2	HOSE	1	
918	881046HRG-3	HOSE	1	
919	881046HRG-4	HOSE	1	
920	881046HRG-5	HOSE	1	
921	881046HRG-6	HOSE	1	
922	881046HRG-7	HOSE	1	
923	881046HRG-8	HOSE	1	
924	881046HRG-9	HOSE	1	
925	881046HRG-10	HOSE	1	
926	881046HRG-11	HOSE	1	
927	881046HRG-12	HOSE	1	
928	881046HRG-13	HOSE	1	
929	881046HRG-14	HOSE	1	
930	889511	BOLT	6	
930	889647	WASHER	6	
930	889513	NUT	6	
931	8810010001	KEY	2	