

# OWNERS MANUAL

## Small Concrete Saw



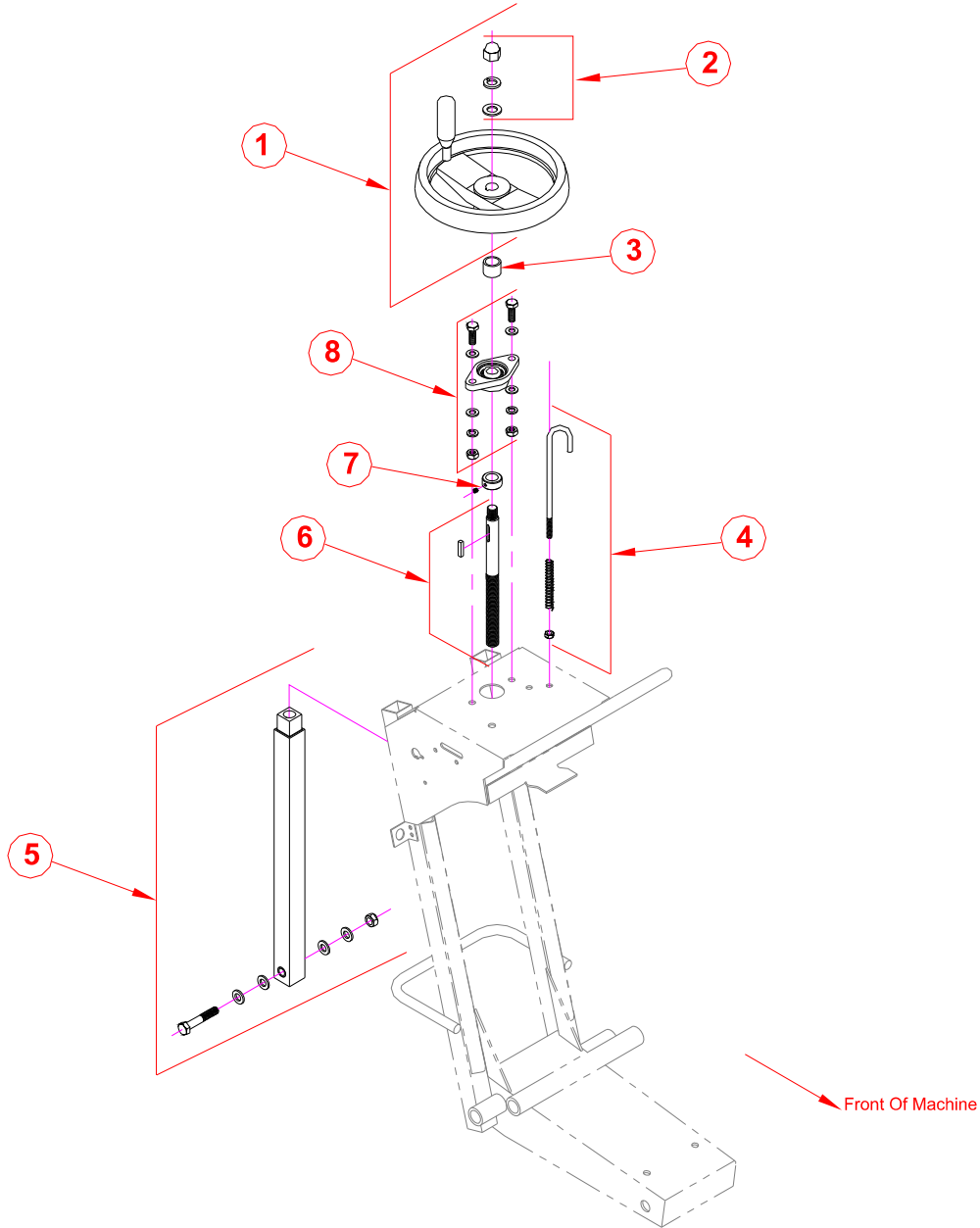
MODEL:  
**C1318P**  
**C1418P**



**clipper**<sup>®</sup>

FORM: C1318P-C1418P rev 2-2022

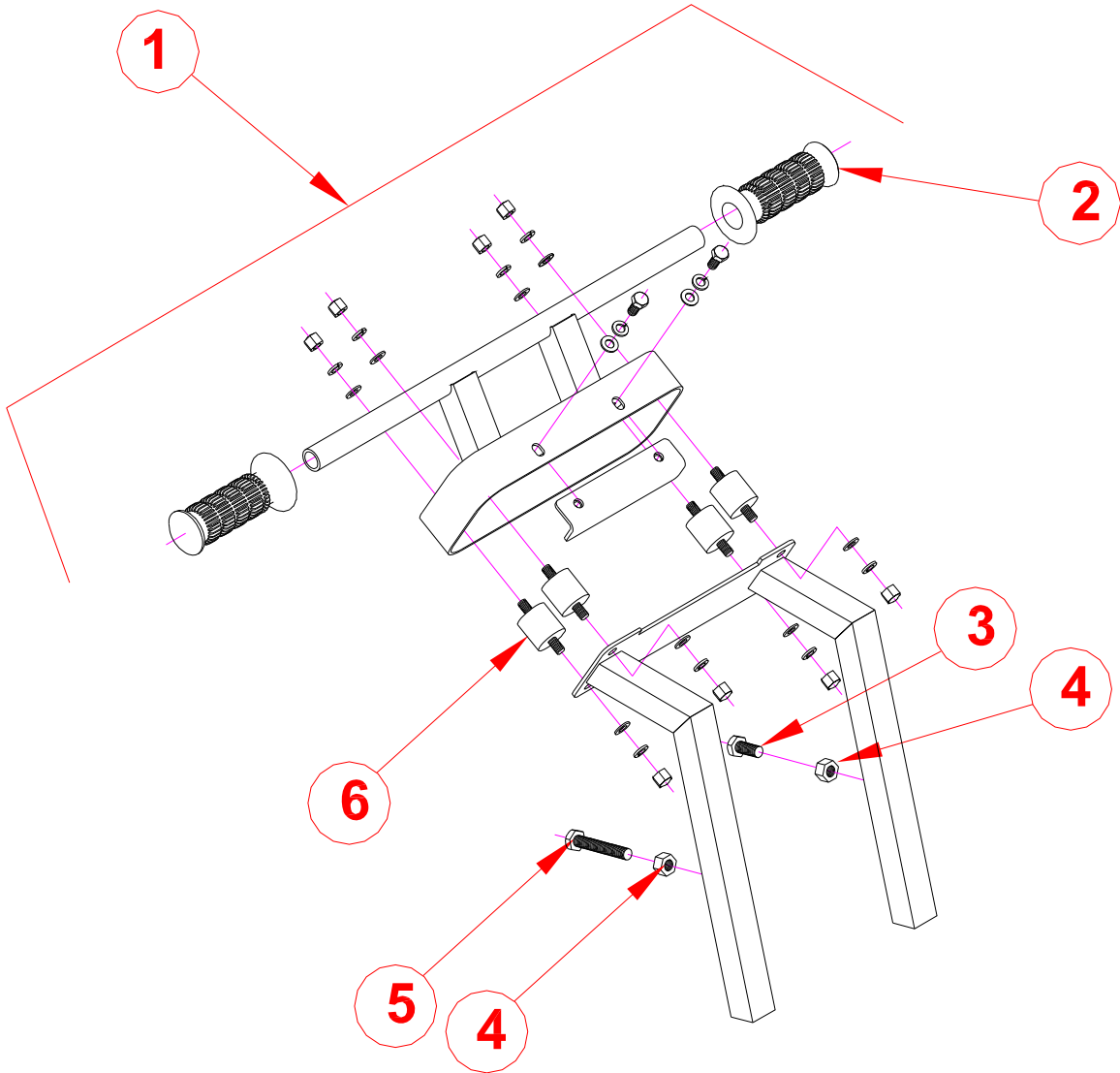
# Depth Control and Depth Lock Group



Item	UPC No	Part No	Description	QTY	Type	NOTES
1	00310004840	076357	HANDWHEEL AND HANDLE	1	S	Includes: Handle and Hardware
2	00310004966	076843	NUT HANDWHEEL	1	S	Includes: Acorn Nut, and Washers
3	70184643370	048620	SPACER 28x22x22	1	S	
4	00310327609	232349	WHEEL HOOK + SPRING CS 501	1	S	Includes: Hook, Spring, and Nut
5	00310006553	082787	TUBE DEPTH CTRL W/HARDWARE	1	S	Includes: Depth Tube and Hardware
6	00310006554	082788	RAISE SCREW C13/C13P18/C1318P/C1418P	1	S	Includes: Raise Screw and Key
7	00310006555	082789	RING STOP DEPTH CONTROL	1	S	Includes: Set Collar and Set Screw
8	00310004907	076670	BEARING FLG KIT DEPTH CONTROL	1	W	Includes: Bearing and Hardware

Type: S = Service Part, W = Wear Part, All Parts Are Sold As Individual (each) Unless Noted Otherwise

# Handle Bar Group

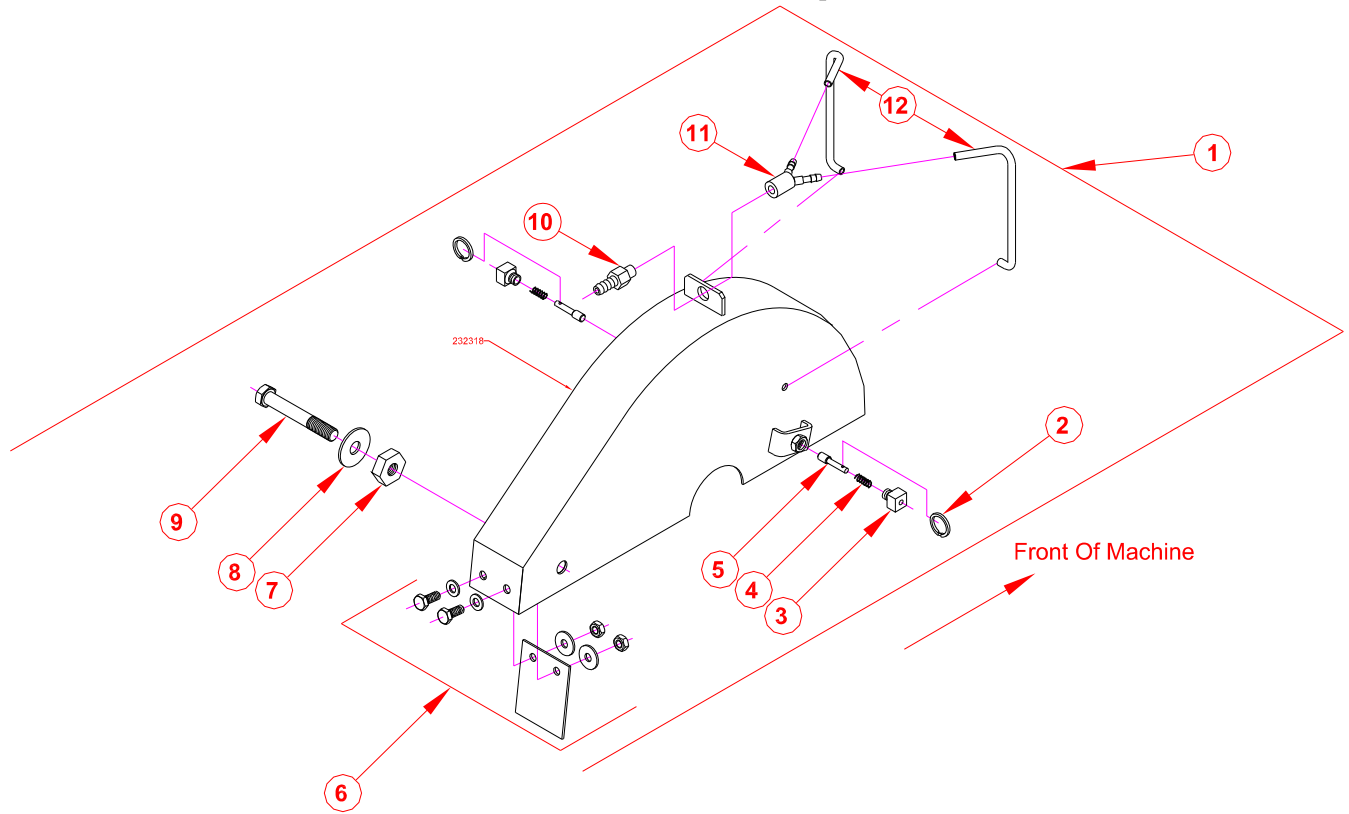


Item	UPC No	Part No	Description	QTY	Type	NOTES
1	70184643284	232313	HANDLE BAR ASSEMBLY C1318P/C1418P	1	S	Includes: Handle Bar Frame (Upper and Lower), Hand Grips (2), Vibration Absorber Kit (4), and Hardware
2	00310004190	072097	GRIP HANDLE	2	S	Sold As Each. Appearance May Vary
3	70184600809	027021	SCR M10 X 25 8.8 DIN933	1	S	
4	70184681615	027006	NUT M10 1.5 DIN934	2	S	
5	70184627482	237242	SCR M10 X 50 1.5 DIN933	1	S	
6	00310353381	232350	VIBRATION ABSORBER KIT (4) C1318P/C1418P	1	W	Includes: Set of Four (4) Silent Bock and Mounting Hardware

Type: S = Service Part, W = Wear Part, All Parts Are Sold As Individual (each) Unless Noted Otherwise

**NOTE:** In order for the Vibration Reduction System to function properly the Acorn Nuts towards the operator are torque to 0.27 lb-feet (4Nm). The Acorn Nuts on the bottom of the handle bars are fully tightened. Over tightening of the Operator Size Acorn Nuts will prevent the Vibration Reduction System from functioning.

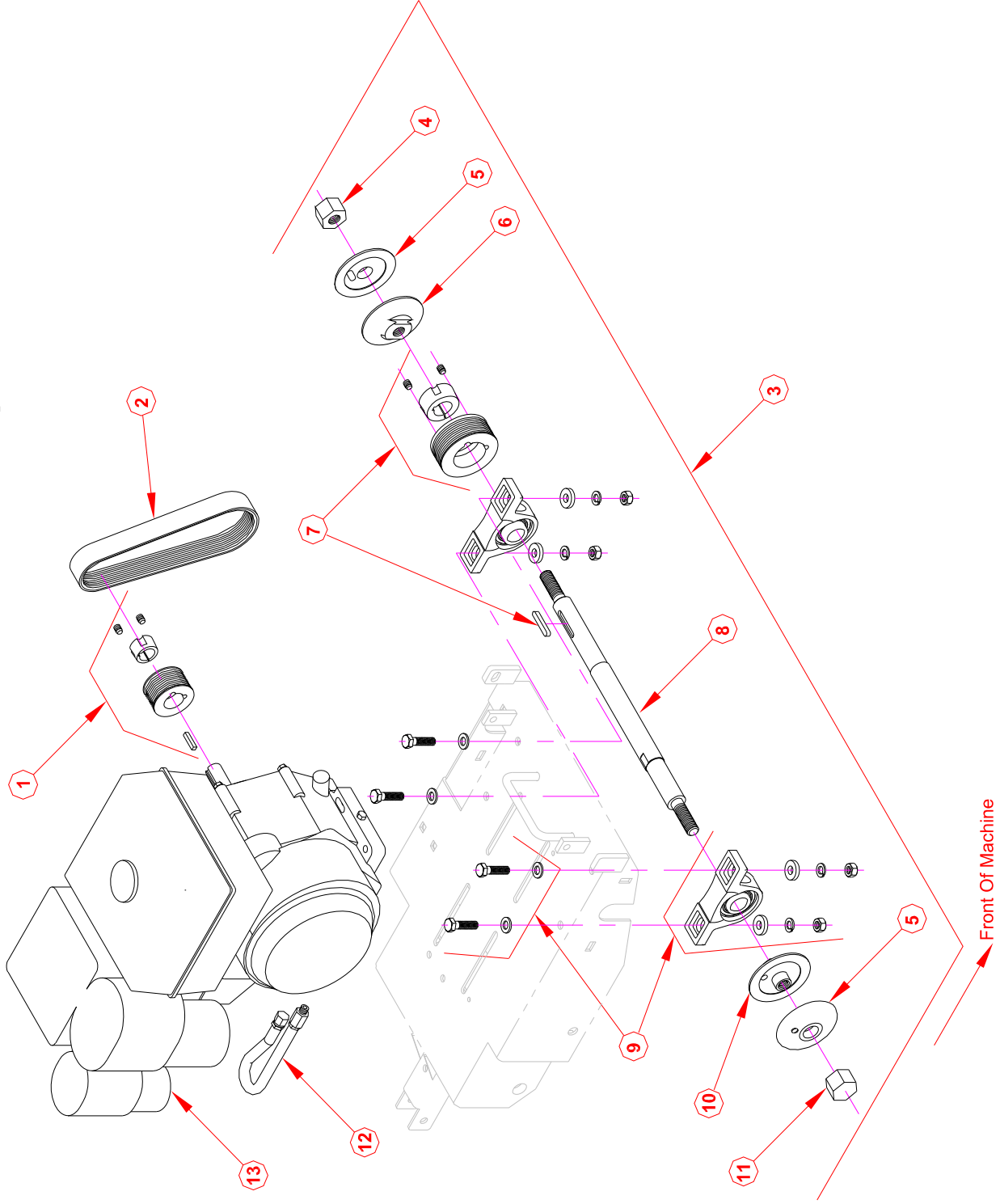
# Blade Guard Group



Item	UPC No	Part No	Description	QTY	Type	NOTES
1	70184643285	232317	BLADE GUARD ASSEMBLY C1318P/C1418P	1	S	Includes: Items 2 (2x), 3 (2x), 4 (2x), 5 (2x), 6, 7, 8, and 9
2	70184628500	238222	PIN GUARD LOCK	2	S	
3	70184628501	238223	RING GUARD LOCK	2	S	
4	70184628499	238224	SPRING GUARD LOCK	2	W	
5	70184628498	238225	GUARD LOCK	2	S	
6	00310006566	082800	GUARD SPLASH KIT	1	W	Includes: Splash Guard and Hardware
7	00310007020	083366	NUT HEX M15 X 38MM	1	S	
8	70184643255	232351	WASHER M16 FENDER DIN9021	1	S	
9	00310007021	083367	BOLT BLADE GUARD	1	S	
10	70184650465	9600014	FIT BARB HOSE 1/4MPTX1/2	1	S	
11	00310004233	072286	FIT HOSE Y	1	S	
12	70184681299	082998	NOZZEL WATER (2) C13/C1318P/C1418P/C13E/C9E	1	S	Set of two (2) Nozzles 5/16" ID x 7/16" OD x 10" Long

Type: S = Service Part, W = Wear Part, All Parts Are Sold As Individual (each) Unless Noted Otherwise

# Blade Shaft Group

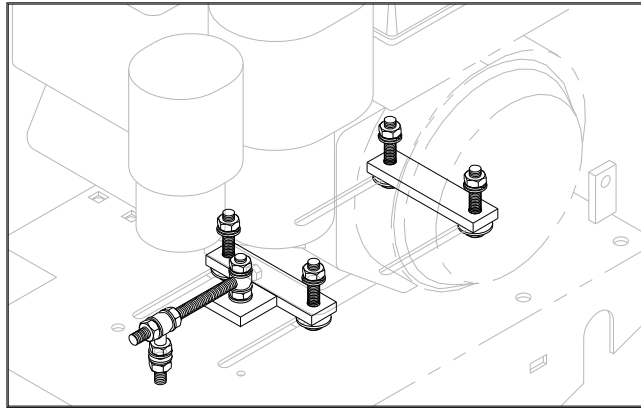


## Blade Shaft Group

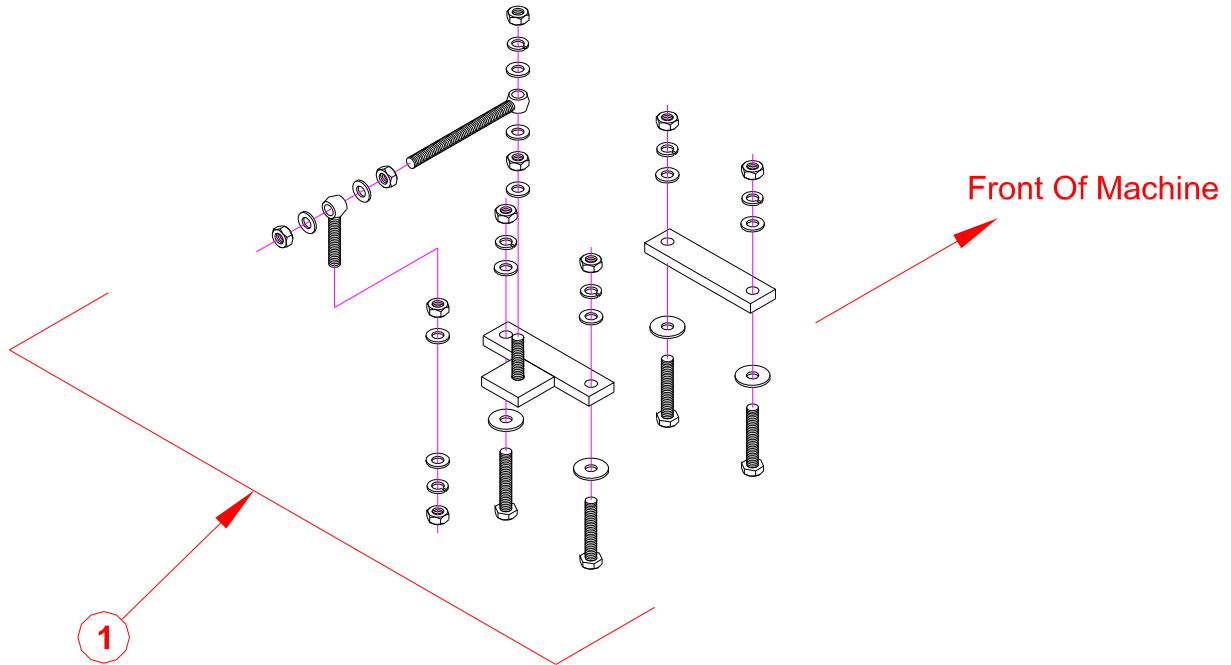
Item	UPC No	Part No	Description	QTY	Type	NOTES
1	70184643291	232352	PULLEY ENGINE KIT C1318P/C1418P	1	S	Includes: Pulley, Bushing, Set Screws, and Key
2	70184643371	232344	BELT POLY-V 10 PK 698MM	1	W	
3	70184643372	232357	SHAFT BLADE ASSEMBLY C1318P/C1418P	1	S	Includes: Items 4, 5 (2x), 6, 7, 8, 9 (2x), 10, and 11 NOTE: Does Not Include Belt
4	70184674346	227191	BLADE SHAFT NUT 3/4-16 RH THREAD	1	S	Operator's Left Side - Right Hand Thread
5	70184674082	227247	ASSY OUTER FLANGE (LOOSE)	2	S	Includes: Collar and Drive Pin
-NA-	70184674556	227154	PIN DRIVE (GROOVED) 3/8X1	2	W	
6	70184674352	227190	COLLAR TIGHT LEFT SIDE RH	1	S	Operator's Left Side - Right Hand Thread
7	70184643373	232353	PULLEY BLADE SHAFT KIT C1318P/C1418P	1	S	Includes: Pulley, Bushing, Set Screws, and Key
8	00310007070	083421	BLADE SHAFT C13P18/C1318P/C1418P	1	S	Blade Shaft Only
9	00310004295	072474	BEARING BLADE SHAFT (2) W/HARDWARE	2	W	Includes: Two (2) Bearings, and Hardware
10	70184673904	227159	COLLAR TIGHT RIGHT SIDE LH	1	S	Operator's Right Side - Left Hand Thread
11	70184673903	227156	NUT BLADE SHAFT 3/4-16 LH THREAD	1	S	Operator's Right Side - Left Hand Thread
12	70184628179	238057	OIL DRAIN HOSE ASSY 13HP HONDA	1	S	
13	70184671620	123327	ENG 13HP HONDA GX390K1QXC9	1	S	Engine Only
	-NA-	247807	ENG 14HP KOHLER CH440-3302	1	S	Engine Only Contact Kohler for Replacement
-NA-	70184676096	123328	AIR FILTER HONDA 11-13HP	1	W	
-NA-	-NA-	-NA-	AIR FILTER KOHLER 14HP	1	W	Contact Kohler Sold by Kohler
-NA-	70184631615	239021	BRACKET THROTTLE CABLE C1418P	1	S	KOHLER 14 HP Only Includes: Bracket W/Hardware, Does Not Include Cable Clamps

Type: S = Service Part, W = Wear Part, All Parts Are Sold As Individual (each) Unless Noted Otherwise

# Belt Tensioning Group



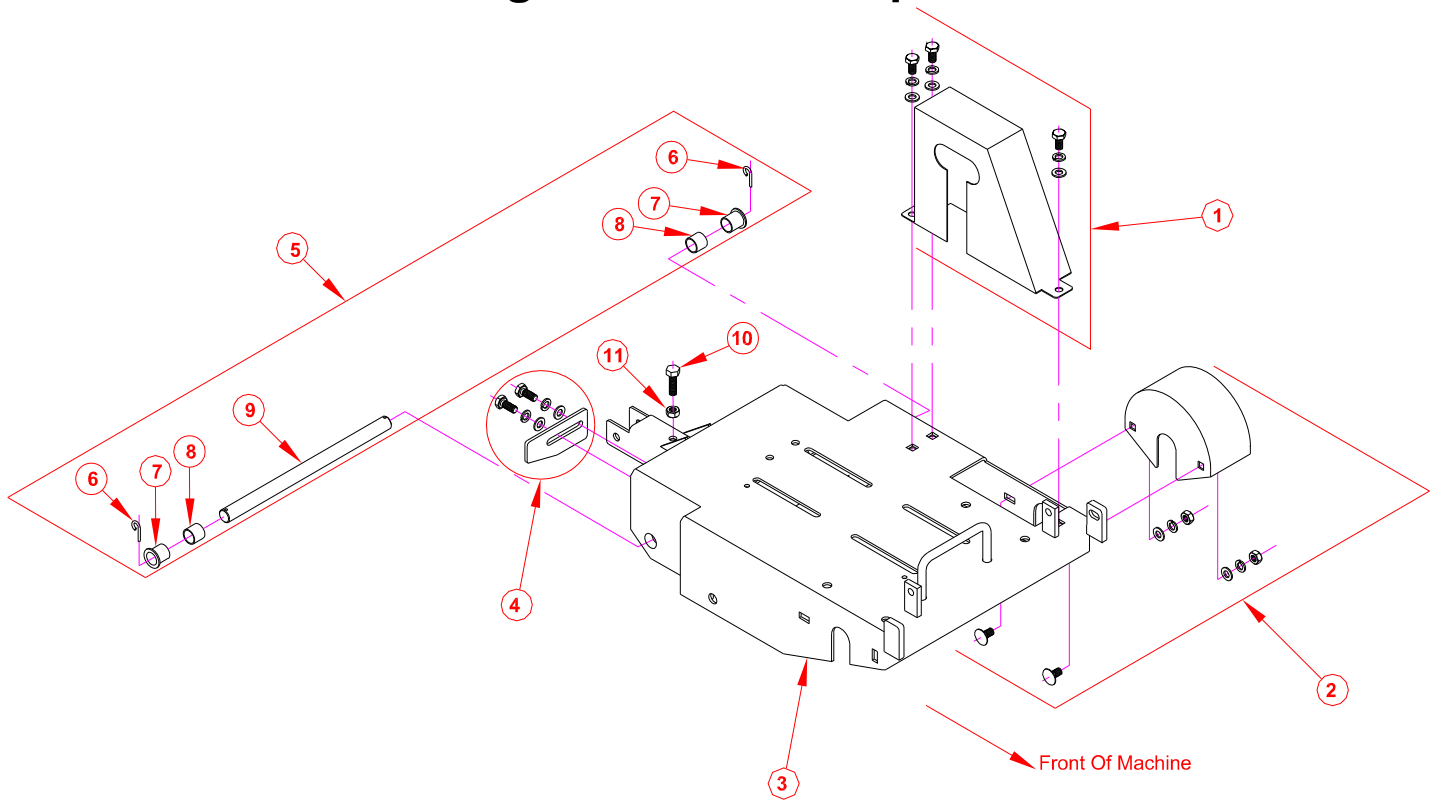
232330 Componets Assembled To C1318P



Item	UPC No	Part No	Description	QTY	Type	NOTES
1	70184643374	232330	ENGINE MOUNTING KIT W/HARDWARE C1318P/C1418P	1	S	Includes: Front, Rear Motor Mounts, and Hardware

Type: S = Service Part, W = Wear Part, All Parts Are Sold As Individual (each) Unless Noted Otherwise

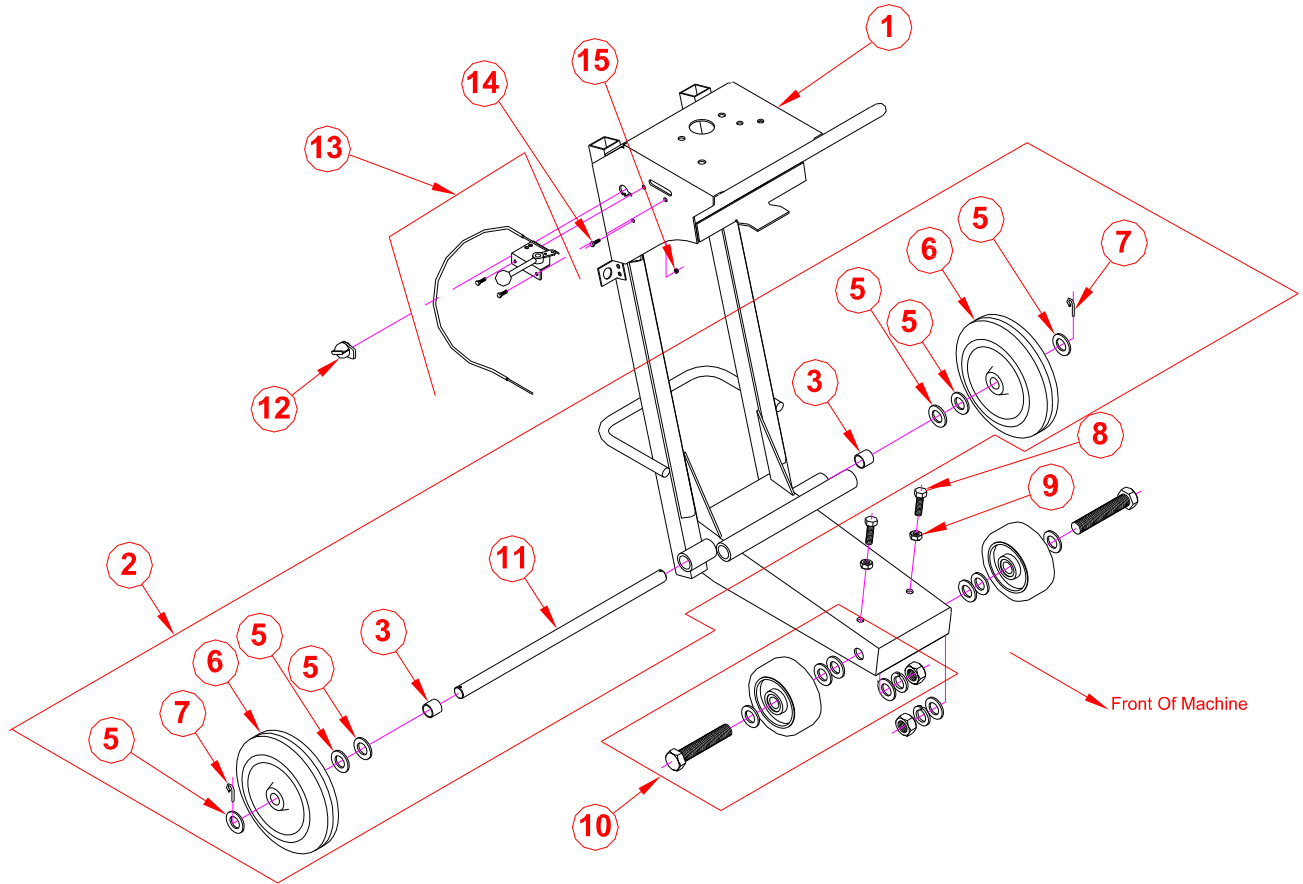
# Engine Mount Group



Item	UPC No	Part No	Description	QTY	Type	NOTES
1	00310007025	083371	GUARD BELT ASSY	1	S	Includes: Belt Guard and Hardware
2	70184643375	232358	BLADE SHAFT GUARD ASSMEBLY C1318	1	S	Includes: Blade Shaft Guard and Hardware
3	00310007023	083369	FRAME WELD MOTOR C13P18/C1318P/C1418P	1	S	Includes: Engine Mount Only
4	00310006570	082804	BRAKE KIT REAR WHEEL C13P18/C1318P/C1418P	1	S	Includes: Break and Hardware
5	00310006568	082802	PIVOT MOTOR & FRAME KIT	1	W	Includes Items: 6 (2x), 7 (2x), 8 (2x). 9 (2x)
6	70184674553	227146	PIN COTTER 1/8 X 1-1/2	2	W	
7	00310005502	080999	BUSH OUTR MOT PIVOT (1)	2	W	
8	00310005129	080297	BUSH INNR MOT PIVOT (2)	1	W	Sold In Set Of Two (2)
9	00310006569	082803	PIVOT MOTOR & FRAME	1	S	Engine Mount Pivot Shaft Only
10	70184681620	27030A	SCR M10 X 35 1.5 DIN933	1	S	
11	70184681615	27006	NUT M10 1.5 DIN934	1	S	

Type: S = Service Part, W = Wear Part, All Parts Are Sold As Individual (each) Unless Noted Otherwise

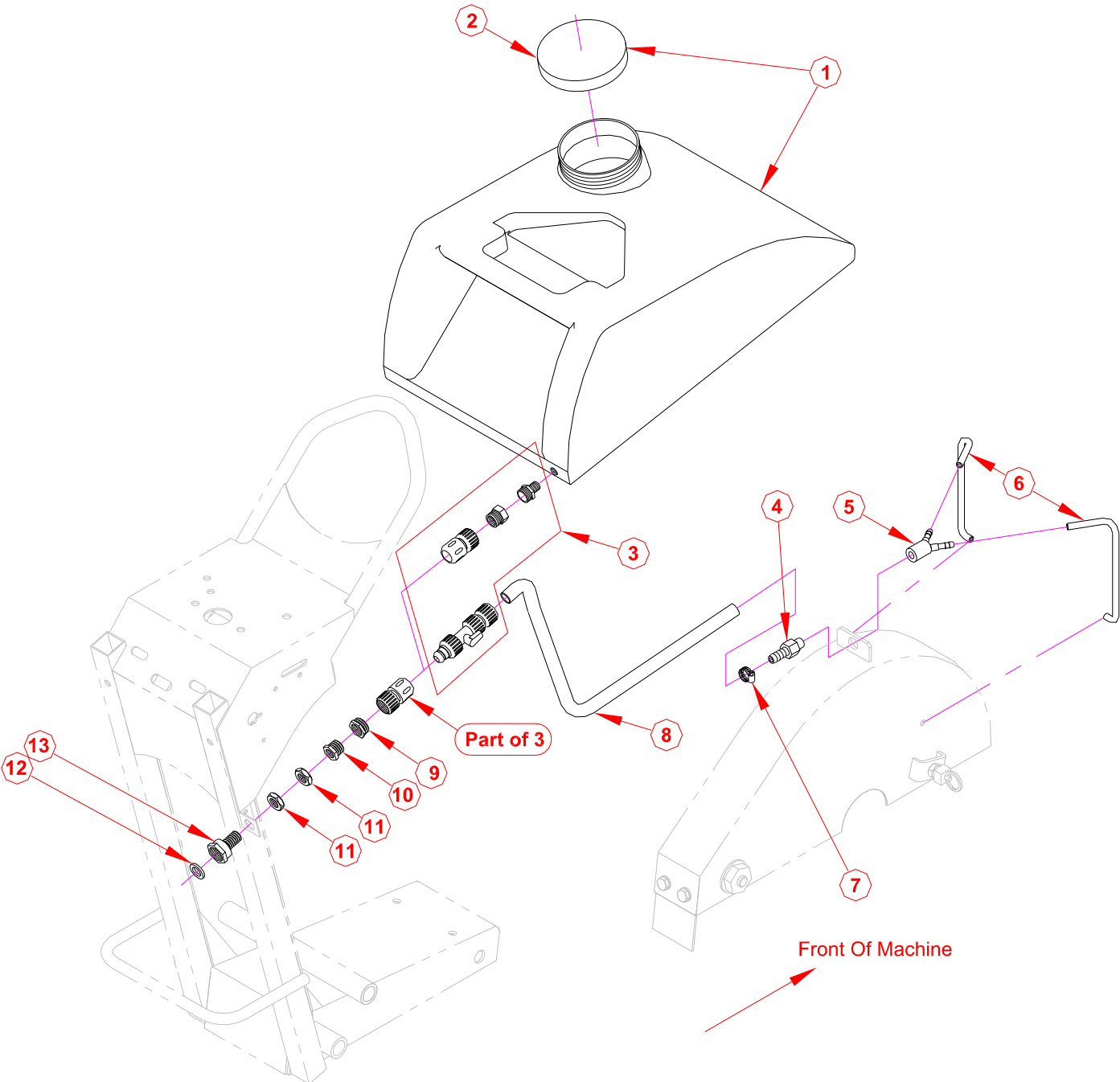
# Main Frame Group



Item	UPC No	Part No	Description	QTY	Type	NOTES
1	70184643376	232323	MAIN FRAME WELDMENT C318P	1	S	Frame Only
2	00310006550	082784	AXLE REAR COMPLT W/WHEELS	1	S	Includes Items: 3 (2x), 5 (6x), 6 (2x), 7 (2x), and 11
3	00310005129	080297	BUSH INNR MOT PIVOT (2)	1	W	Sold In Set Of Two (2)
5	70184681623	27504B	WASHER M20 DIN125 FLAT	6	S	
6	00310005495	080991	WHEEL 200X50X100 (20mm Bore) REAR	2	W	
7	70184674553	227146	PIN COTTER 1/8 X 1-1/2	1	W	
8	70184681620	27030A	SCR M10 X 35 1.5 DIN933	2	S	
9	70184681615	27006	NUT M10 1.5 DIN934	2	S	
10	00310006552	082786	WHEEL FRONT KIT 125/50/20	2	W	Includes: Wheel and Hardware
11	00310006551	082785	AXLE REAR ONLY C13/C13P18/C1318P/C1418P	1	S	
12	70184603011	227115	SWITCH ENGINE ON/OFF HONDA GX390 - 2 Wire	1	W	Sold as Each For GX390K1QXC C1318P ONLY - <b>Two (2) Wire Switch</b>
	TBA	239022	SWITCH ENGINE ON/OFF KOHLER	1	W	Sold as Each for CH440 Kohler C1418P ONLY
13	00310024052	232124	THROTTLE ASSEMBLY C1318P 28" Overall Length	1	W	C1318P (Honda) ONLY Includes: Throttle Control, Control Cable, and Hardware
	70184631614	239020	THROTTLE ASSEMBLY C1418P 41" Overall Length	1	W	C1418P (Kohler) ONLY Includes: Throttle Control, Control Cable, and Hardware
14	70184665412	224237	SCR M6 X 20 1.0 DIN933	1	S	
15	70184625661	300833	NUT M6 1.0 DIN934 HEX	1	S	

Type: S = Service Part, W = Wear Part, All Parts Are Sold As Individual (each) Unless Noted Otherwise

# Water Control Group

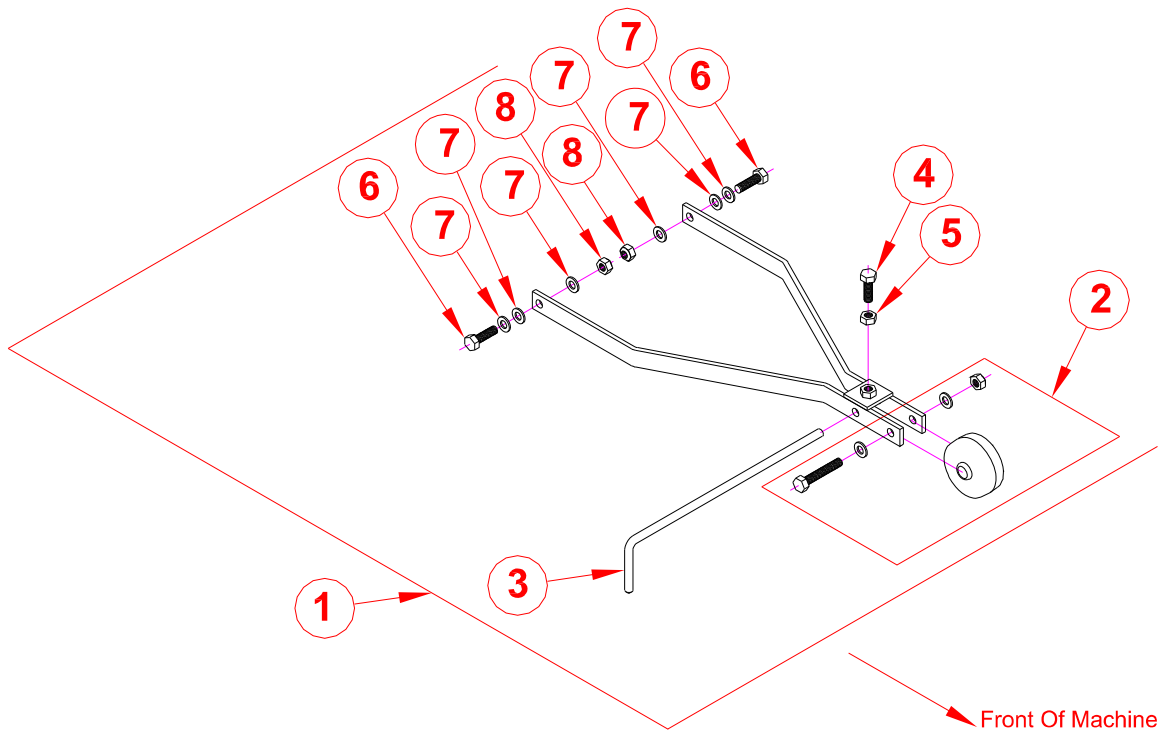


## Water Control Group

Item	UPC No	Part No	Description	QTY	Type	NOTES
1	00310351798	232356	WATER TANK COMPLETE C1318P/C1418P/CS451	1	S	Includes: Water Tank and Stopper (Cap)
2	00310006560	082794	STOPPER WATER TANK C13/C13P18/C1318P/C1418P	1	S	
3	00310024053	232121	VALVE & CONNECTOR ASSY	1	S	Includes: Valve Assembly w/Hose Adapter (1), Male Quick Detach x 3/4" Garden Hose (1), Female Quick Detach (1) x 3/4" Garden Hose, Hex Bushing 3/4" Garden Hose x 1/2 FPT (1), and Reducing Bushing 1/2 MPT x 1/4MPT (1)  <b>NOTE:</b> Valve Assembly w/ Hose Adapter, Male Quick Detach x 3/4" Garden Hose, and Female Quick Detach x 3/4" Garden Hose are not sold separately
4	70184650465	9600014	FIT BARB HOSE 1/4MPTX1/2	1	S	
5	00310004233	072286	FIT HOSE Y	1	S	
6	70184681299	082998	NOZZEL WATER (2) C13P18/C1318P/C1418P	1	S	Set of two (2) Nozzles
7	70184674516	227126	CLAMP HOSE WORM 7/32"TO 5/8 x 5/16"W	1	S	
8	70184683507	0042521	TUBE 1/2ID X 3/4OD 48"LNG	1	S	
9	70184628020	238067	REDUCER FIT 3/4MGH x 1/2FMPT	1	S	
10	70184643377	232354	BUSHING HEX 1/2MPT x 3/8 FPT	1	S	
11	70184643378	232355	NUT PIPE LOCK 3/8 BRASS	2	S	
12	70184650620	101868	WASHER HOSE 1.00OD X .625	1	W	
13	70184650637	121273	SWIVEL HOSE 3/8MPTX3/4GHT	1	S	Does Not Include Hose Washer

Type: S = Service Part, W = Wear Part, All Parts Are Sold As Individual (each) Unless Noted Otherwise

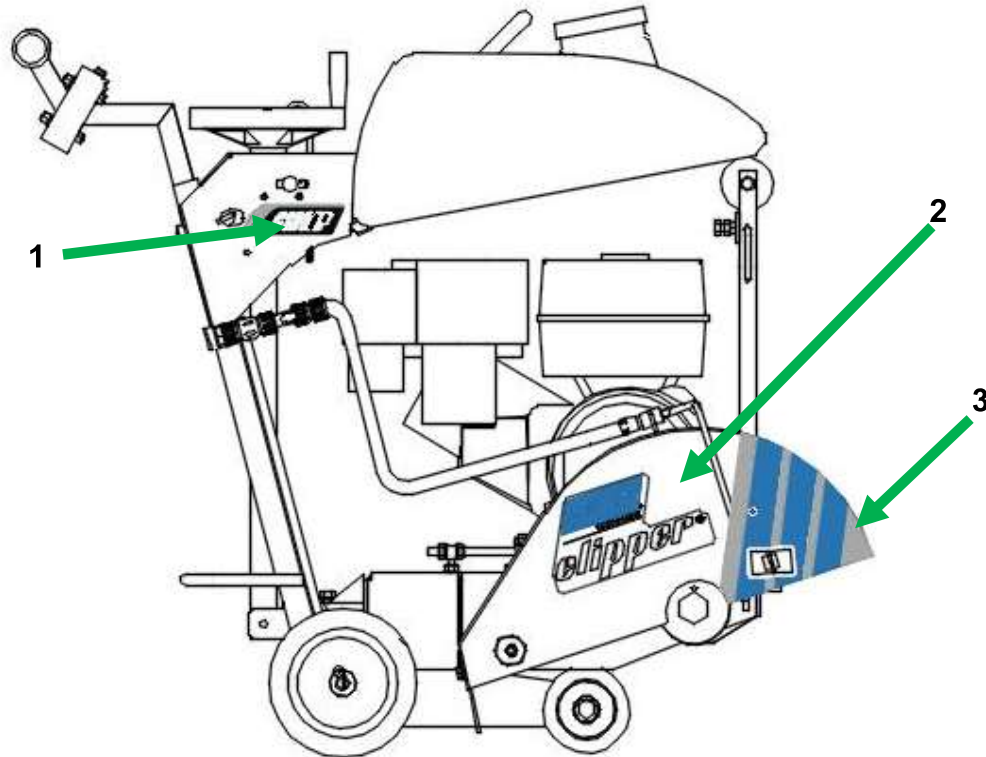
# Front Pointer Group




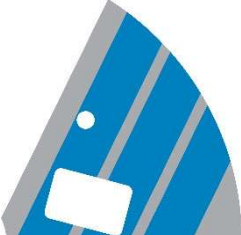


Item	UPC No	Part No	Description	QTY	Type	NOTES
1	00310024051	232127	POINTER ASSY C13PC18/C13P18/C1318P/C1418P	1	S	Includes: Front Pointer Rod, Pointer Frame, Wheel, and Hardware
2	00310004622	232126	WHEEL POINTER W/HARDWARE C13P18/C1318P/C1418P	1	S	Front Wheel and Hardware
3	00310004244	232125	POINTER ROD C13P18/C1318P/C1418P/C13SP18	1	W	Front Pointer Rod Only
4	70184627482	237242	SCR M10 X 50 1.5 DIN933	1	S	Sold as Each
5	70184681615	27006	NUT M10 1.5 DIN934	1	S	Sold as Each
6	70184681605	27030	SCR M10 X 30 1.5 DIN933	2	S	Sold as Each
7	70184681610	27504	WASHER M10 DIN125	6	S	Sold as Each
8	70184628215	239007	NUT M10 1.5 DIN985 LOCK	2	S	Sold as Each

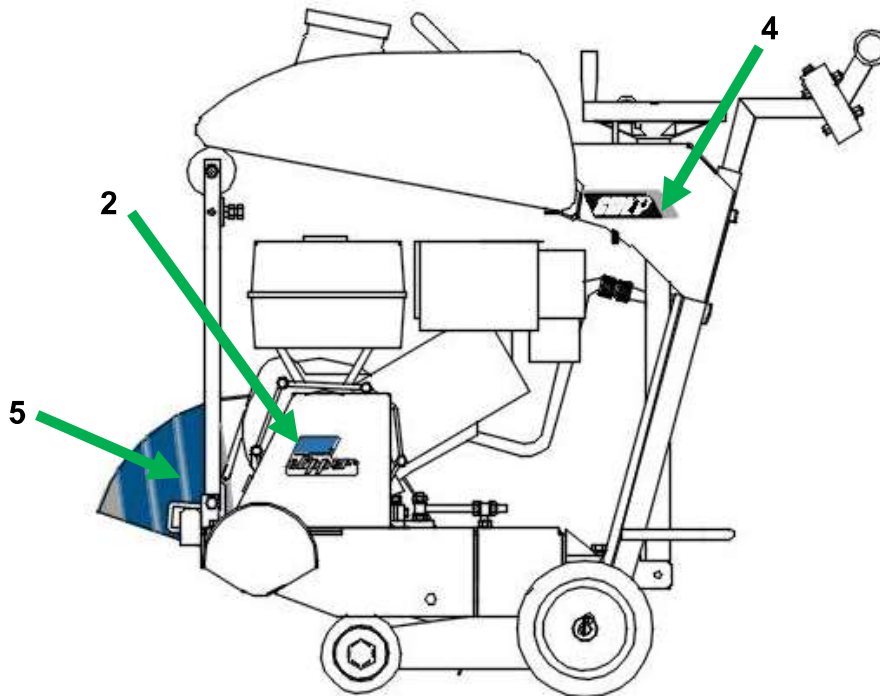
Type: S = Service Part, W = Wear Part, All Parts Are Sold As Individual (each) Unless Noted Otherwise

## C1318P and C1418P Decals Operator's Right Side



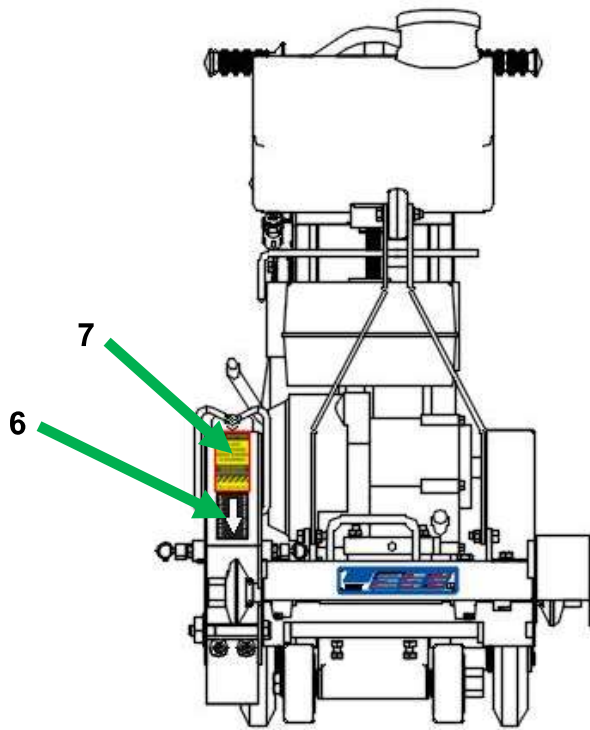
Operator's Right Side						
POS	UPC	Description	QTY	NOTES	Decal Image	
1	70184608606	DECAL MODEL C1318P OPERATOR RIGHT	1	C1318P Operator's RIGHT PN: 233460		
	70184631618	DECAL MODEL C1418P OPERATOR RIGHT	1	C1418P Operator's RIGHT PN: 233904		
2	70184631637	DECAL NORTON CLIPPER LOGO 8.93x4.79"	3	Operators Right and Left Sides of Blade Guard ALL Machines. PN: 233455		
3	70184632230	DECAL NOSE STRIPE OPERATOR'S RIGHT C1318P/C1418P	1	Blade Guard Nose Operator's RIGHT Side ALL Models PN: 233453		

## C1318P and C1418P Decals Operator's Left Side

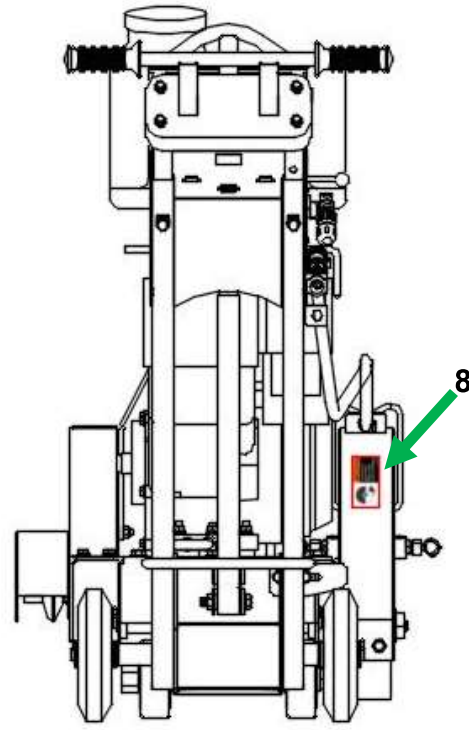


Operator's Left Side					
POS	UPC	Description	QTY	NOTES	Image
4	70184608607	DECAL MODEL C1318P OPERATOR LEFT	1	C1318P Operator's LEFT PN: 233461	
	70184631619	DECAL MODEL C1418P OPERATOR LEFT	1	C1418P Operator's LEFT PN: 233905	
5	70184632231	DECAL NOSE STRIPE OPERATOR'S LEFT C1318P/C1418P	1	Blade Guard Nose Operator's LEFT Side ALL Models PN: 233454	

# C1318P and C1418P Decals Front and Rear



Front

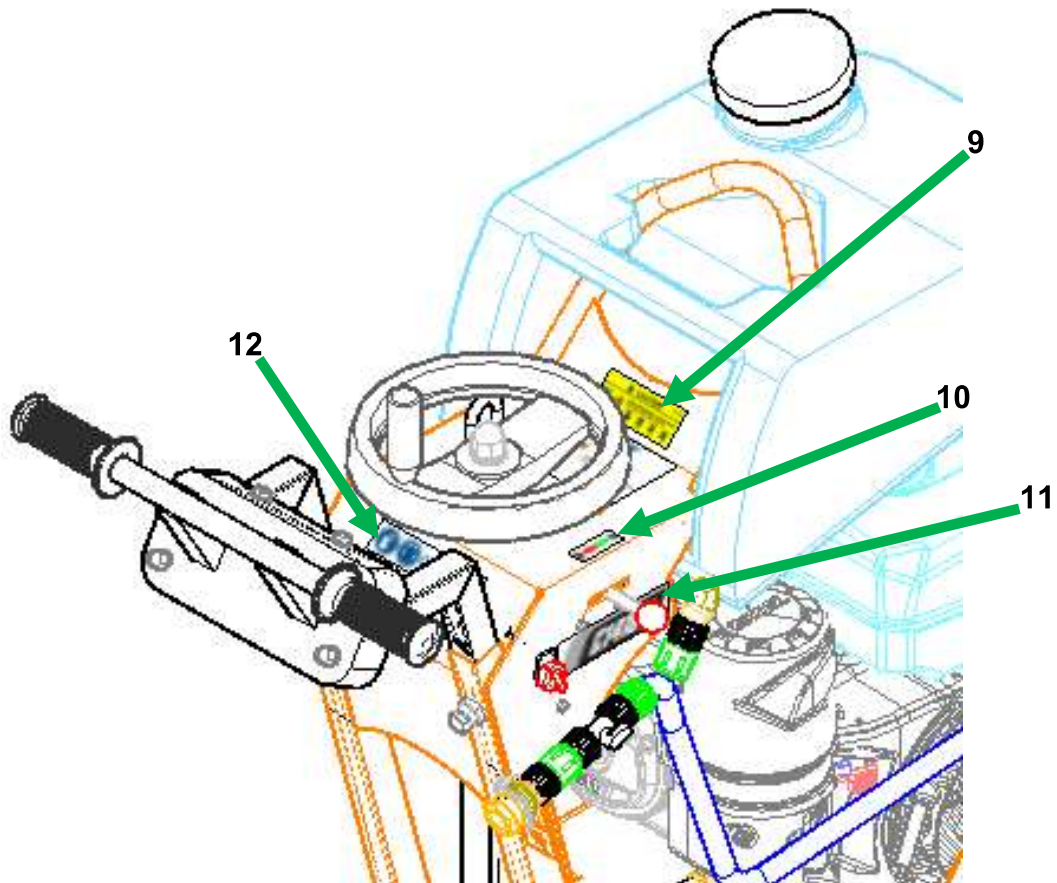


Rear

Front					
POS	UPC	Description	QTY	NOTES	Image
6	70184632232	DECAL DIRECTIONAL ARROW BLADE GUARD	1	Front of Blade Guard ALL Models PN: 233462	
7	70184653268	DECAL GUARD LIFT CAUTION	1	Front of Blade Guard ALL Models PN: 108850	
-NA-	-NA-	PLATE SERIAL NUMBER	1	NOTE Sold Separately	

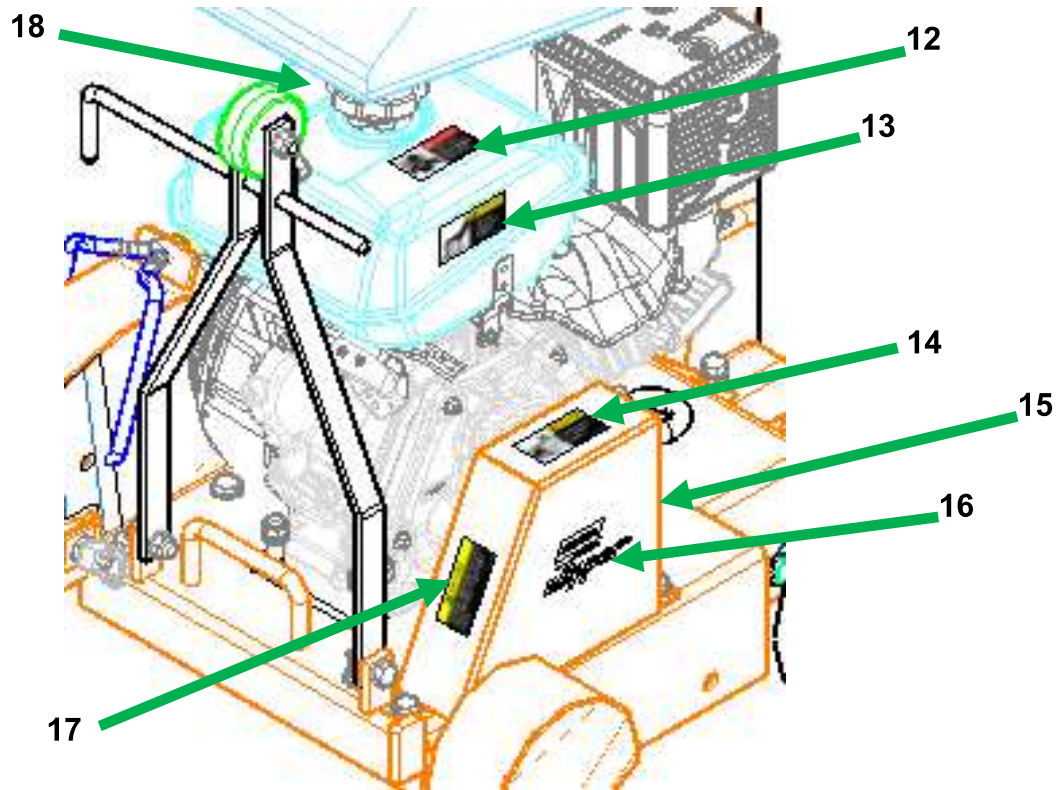
Rear					
POS	UPC	Description	QTY	NOTES	Image
8	70184674659	DECAL BLADE FAILURE WARNING	1	Rear of Blade Guard ALL Models PN: 227264	







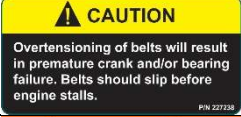

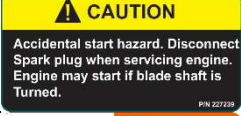
# C1318P and C1418P Decals Console



Console					
POS	UPC	Description	QTY	NOTES	Image
9	70184674481	DECAL SAFETY GEAR CAUTION	1	Lifting Bale Brace ALL Models PN: 227234	
10	70184680834	DECAL CONSOLE C1318P/C1418P	1	Console Top ALL Models PN: 232070	
11	70184632233	DECAL THROTTLE C1318P	1	Console Top Above Throttle C1318P	
11	70184631617	DECAL THROTTLE C1418P	1	Console Top Above Throttle C1418P	
12	70184632229	DECAL PICTOGRAM	1	Console Above Wrenches ALL Models PN: 201203-129-0	

# C1318P and C1418P Decals Belt Guard and Engine



Belt Guard and Engine						
POS	UPC	Description	QTY	NOTES	Image	
12	70184674649	DECAL DANGER LETHAL FUMES	1	Top Operator's Left Side of Fuel Tank ALL Models PN: 227243		
13	70184674630	DECAL CAUTION HOT SURFACE	1	Operator's Left Side of Fuel Tank ALL Models PN: 227235		
14	70184674632	DECAL CAUTION GUARDS	1	Top of Belt Guard ALL Models PN: 227237		
15	70184674633	DECAL CAUTION BELTS	1	Rear of Belt Guard ALL Models PN: 227238		
16	70184632228	DECAL NORTON CLIPPER LOGO 8.93x4.79"	1	Center of Belt Guard ALL Machines. PN: 233384		
17	70184674634	DECAL CAUTION DISCONNECT	1	Front of Belt Guard ALL Models PN: 227239		
18	70184674647	DECAL WARNING REFUELING	1	Top Operator's Right Side of Fuel Tank ALL Models PN: 227241	