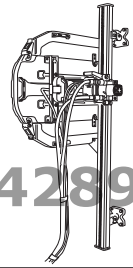


DIMAS



ConstructionParts.com 888-634-4289

IPL, DIMAS WS 462, 2005-43, 531 12 31-19

DIMAS WS 462

Reservdelar

Spare parts

Ersatzteile

Pieces de rechange

Piezas de repuesto

Ricambi

**Peças
sobresselente**

ConstructionParts.com

ConstructionParts.com
From machine number: 4001

888-634-4289

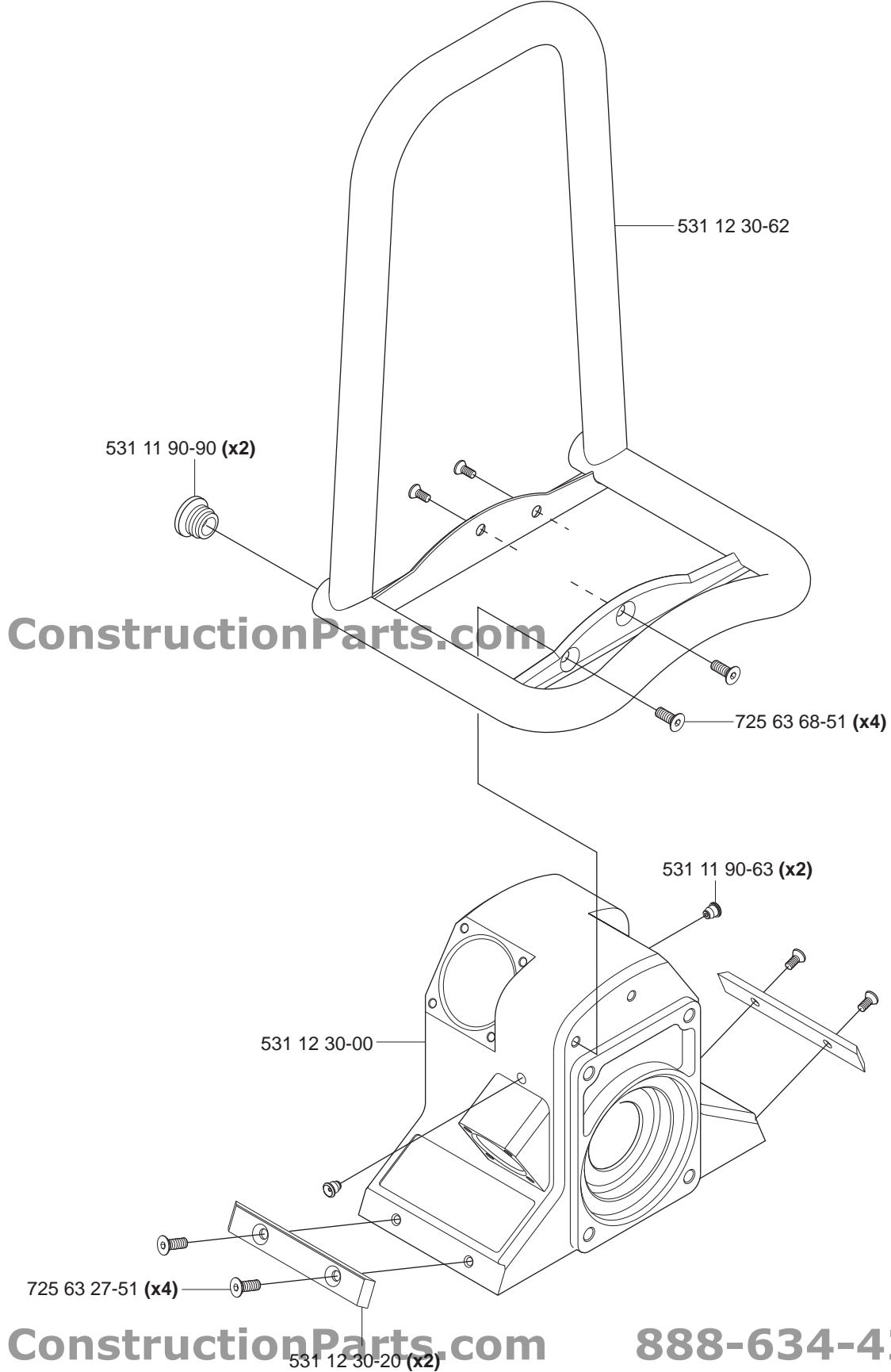
531 12 31-19

DIMAS

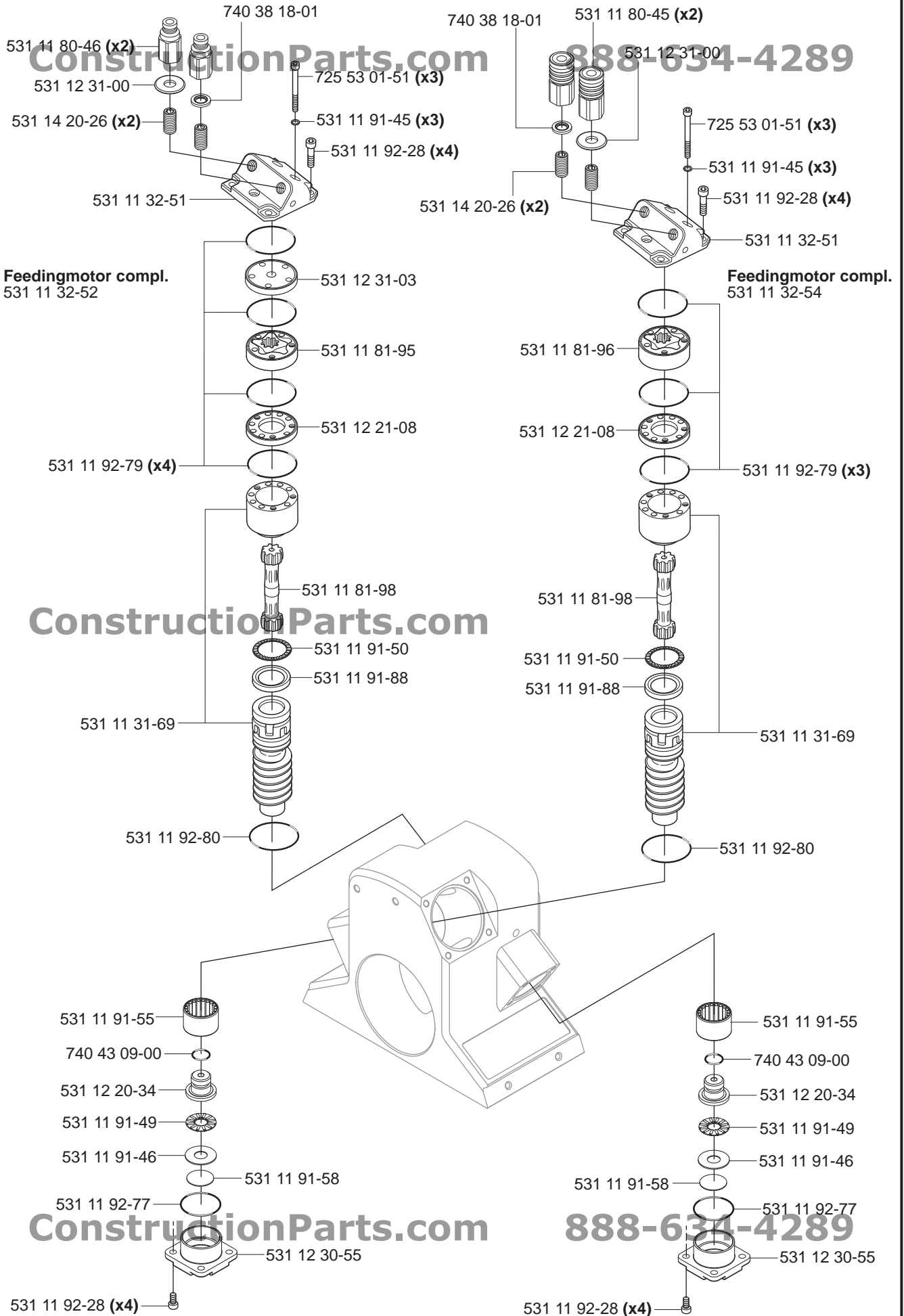
No.	Pos.	Description	No.	Pos.	Description
531 11 30-37	Q	Water hose with valve	531 11 91-55	B	Bearing Nk 19/16
531 11 30-45	H	Track 1,2m complete	531 11 91-58	B	Shim 23.35x1
531 11 30-46	H	Track 2,0m complete	531 11 91-65	LM	Blind rivet 4x12 st/st
531 11 30-47	H	Track 2,2m complete	531 11 91-77	D	Shaft seal BASL 25x35x7
531 11 30-78	F	Shaft seal set	531 11 91-81	K	Washer 10.5x22
531 11 31-69	B	Worm gear + comm. valve 50:1	531 11 91-83	DHJ	Washer 13x24x2
531 11 32-44	D	Pivoting arm compl.	531 11 91-85	DF	Sealing ring 1/2"
531 11 32-45	K	Bladeguard holder complete	531 11 91-88	B	Radial seal GHH2 28x20,5x3,2
531 11 32-46	H	Mounting bracket complete	531 11 92-02	EH	Screw M6S 12x25
531 11 32-47	H	Coupling link complete	531 11 92-03	HJ	Screw M6S 12x30
531 11 32-48	H	Track holder complete	531 11 92-18	M	Screw M6S 8x25
531 11 32-49	P	Dimas oil 150 1dl	531 11 92-28	BD	Screw MC6S 5x14
531 11 32-51	B	Motor bracket complete	531 11 92-35	H	Screw MC6S 8x14
531 11 32-52	B	Feeding motor, track feed	531 11 92-49	N	Nut M6
531 11 32-54	B	Feeding motor, down feed	531 11 92-60	L	Washer 5x19x1
531 11 32-57	F	Hydraulic motor WS 462 compl.	531 11 92-62	F	O-ring 18,3x2,4
531 11 32-58	G	Guide wheel concentric compl.	531 11 92-70	F	O-ring 24,2x3
531 11 32-59	G	Guide wheel excentric compl.	531 11 92-74	D	O-ring 29,2x3
531 11 32-65	J	Measure rod complete	531 11 92-77	B	O-ring 31,4x1,6
531 11 32-66	F	Hydraulic motor WS 462	531 11 92-79	B	O-ring 40x1
531 11 32-68	Q	Cleaning brush complete	531 11 92-80	B	O-ring 43x1,6
531 11 32-74	M	Outer side Right 800mm compl.	531 11 92-90	E	O-ring 61,6x2,4
531 11 32-75	M	Outer side Left 800mm compl.	531 11 92-93	F	O-ring 80x1,6
531 11 32-76	M	Outer side Right 1000mm compl.	531 11 93-07	C	Key 6x6x14
531 11 32-77	M	Outer side Left 1000mm compl.	531 11 93-13	K	Washer 10x16x1
531 11 32-78	M	Outer side Right 1240mm compl.	531 11 93-19	F	Shaft seal SCN 18x30x6
531 11 32-79	M	Outer side Left 1240mm compl.	531 11 93-26	LN	Washer
531 11 33-03	G	Saw carriage complete	531 11 93-39	F	Plug VSTI M14X1,5
531 11 33-04	L	Bladeguard complete 800mm	531 11 93-40	F	Plug VSTI R1/2
531 11 33-05	L	Bladeguard complete 1000mm	531 11 93-50	H	Screw MF6S 4x12 12.9
531 11 33-06	L	Bladeguard complete 1240mm	531 11 93-53	LM	Screw MLC6S 6x12
531 11 33-07	M	Flush bladeguard 800mm compl.	531 11 93-60	D	O-ring 133,0x1,78
531 11 33-08	M	Flush bladeguard 1000mm cpl.	531 11 93-64	DJ	Spring
531 11 33-09	M	Flush bladeguard 1240mm cpl.	531 11 93-75	C	X-Ring 114,0x1,78
531 11 80-03	Q	Quick coupling 1800UV female	531 11 93-76	C	O-Ring 94,97x1,78
531 11 80-05	Q	Nipple 1812	531 11 93-98	K	Shim 12x18x1,0
531 11 80-06	Q	Quick coupling 18210 male	531 11 94-13	KLM	Handle Bladeguard
531 11 80-18	Q	Ball valve	531 11 94-18	J	Screw M6S 12x120
531 11 80-41	F	Hydraulic coupling 1/2" female	531 11 94-20	J	O-ring 40x2
531 11 80-42	F	Hydraulic coupling 1/2" male	531 11 94-26	GKMN	Screw K6S 6x16 10.9 fzb
531 11 80-45	B	Hydraulic coupling 1/8" female	531 11 94-32	N	Plug
531 11 80-46	B	Hydraulic coupling 1/8" male	531 11 94-38	P	Tool kit
531 11 81-13	D	Magnetic plug	531 11 94-39	C	Bearing HK 3520
531 11 81-44	F	Pressure relief valve	531 11 94-41	D	Bearing 16005
531 11 81-92	Q	Water hose	531 11 94-42	G	Bearing 6001-2RSH
531 11 81-93	F	Spring PLC 081-230	531 11 94-43	C	Bearing 16007
531 11 81-95	B	Tooth wheel set	531 11 94-44	D	Bearing 61909-2RS1
531 11 81-96	B	Tooth wheel set	531 11 94-45	D	Bearing 61816
531 11 81-98	B	Driving shaft	531 11 94-47	DE	Shaft seal BA 50x65x7
531 11 82-18	EQ	Quick coupling, male 13411 M	531 11 94-48	D	O-ring 101,34x1,78
531 11 82-19	Q	Quick coupling 1300UV female	531 11 94-51	D	O-ring 74,5x3
531 11 83-18	Q	Hose 0,45m	531 11 94-52	G	Seeger circlip SGA 12
531 11 83-25	Q	Nipple 1312	531 11 94-53	G	Levell
531 11 90-14	Q	Hose clamp 13-20	531 11 94-54	G	Spring
531 11 90-15	Q	Hose clamp 15-24	531 11 94-55	E	Shaft seal BA 55x68x7
531 11 90-39	C	Bearing washer AS 3552	531 11 94-56	H	Knob
531 11 90-42	C	Bearing AXK 3552	531 11 94-57	G	Bearing bushing
531 11 90-45	F	Ball D20xM5	531 11 94-99	D	O-ring 69,5x3
531 11 90-63	A	Grease nipple	531 11 95-00	C	O-ring 61x1,6
531 11 90-65	P	Wrench 18 mm	531 11 95-04	C	O-ring 71,12x2,62
531 11 90-90	A	Plastic plug GL24	531 11 95-10	N	Screw K6S 6x10
531 11 90-95	J	Rivet	531 11 95-26	M	Edge list 3,3m
531 11 90-98	F	Spring LBR 45F	531 11 95-30	K	Shim 14x8x1
531 11 90-99	F	Ball 6 mm	531 11 95-31	P	Water level
531 11 91-08	P	Grease gun	531 11 95-32	P	Ratchet wrench
531 11 91-45	B	Washer, copper	531 11 95-33	P	Wrench 16mm
531 11 91-46	BG	Bearing washer	531 11 95-34	P	Socket 18mm
531 11 91-49	BFG	Bearing AXK 1024	531 11 95-35	P	Allen key 10mm
531 11 91-50	B	Bearing	531 11 95-36	P	Allen key 8mm
531 11 91-52	H	Plug	531 11 95-37	P	Allen key 6mm

No.	Pos.	Description	No.	Pos.	Description
531 11 95-38	P	Allen key 5mm	531 12 30-10	G	Bar
531 11 95-39	P	Allen key 4mm	531 12 30-11	G	Excentric locking shaft
531 11 95-40	P	Allen key 3mm	531 12 30-12	G	Locking clamp
531 11 95-41	P	Socket 19mm	531 12 30-13	G	Sprind
531 11 95-53	Q	Cleaning brush	531 12 30-14	G	Excentric bushing
531 12 13-44	F	Support washer	531 12 30-15	G	Feeding shaft
531 12 14-02	F	Valve lever hub	531 12 30-16	G	Shaft holder
531 12 14-03	F	Valve lever	531 12 30-17	G	Transfer gear
531 12 20-27	H	Rack	531 12 30-18	G	Nut for shaft
531 12 20-28	H	Rack	531 12 30-19	C	Arm shaft
531 12 20-34	B	Thrust journal	531 12 30-20	A	Wear plate
531 12 20-43	H	Guide	531 12 30-21	C	Feeding gear, arm
531 12 20-44	H	Guide	531 12 30-22	C	Feeding gear, track
531 12 20-49	D	Sealing plug	531 12 30-23	C	Longituinal feeding gear
531 12 20-70	H	Safety stop	531 12 30-24	C	Tensioning nut
531 12 20-85	F	Valve cover	531 12 30-25	C	Cup spring
531 12 20-87	F	Shift valve	531 12 30-26	C	Friction plate
531 12 21-06	F	Check valve plug	531 12 30-27	G	Bushing
531 12 21-07	F	Plunge	531 12 30-30	D	Input gear
531 12 21-08	B	Cover	531 12 30-31	D	Stub gear
531 12 21-18	H	Clamping washer	531 12 30-32	D	Medial gear
531 12 21-21	H	Track	531 12 30-33	E	Flange, outer
531 12 21-22	H	Track	531 12 30-34	E	Flange, inner
531 12 21-23	H	Track	531 12 30-35	D	Blade shaft
531 12 21-24	H	Rack	531 12 30-36	D	Cover plate
531 12 21-25	H	Guide	531 12 30-40	C	Clutch plate
531 12 21-69	N	Giude	531 12 30-41	D	Mounting plate
531 12 21-73	F	Plug	531 12 30-42	E	Flange lock
531 12 21-83	K	Wheel	531 12 30-43	D	Medial shaft
531 12 22-39	L	Bracket	531 12 30-44	D	Medial spacer
531 12 22-40	L	Locking shackle	531 12 30-46	D	Collar
531 12 22-43	LM	Locking feather Right	531 12 30-47	D	Collar plate
531 12 22-44	LM	Locking feather left	531 12 30-48	E	60mm bushing
531 12 22-45	LM	Lock cone	531 12 30-50	E	Hub
531 12 22-49	L	Outer side Right 800mm compl.	531 12 30-51	E	Plate for hub
531 12 22-50	L	Outer side Left 800mm compl.	531 12 30-55	B	Cover plate
531 12 22-60	M	Top holder	531 12 30-56	E	Water block
531 12 22-80	C	Friction plate pivoting arm	531 12 30-57	E	Water connection
531 12 22-96	L	Outer side Right 1000mm compl.	531 12 30-59	LM	Rail holder
531 12 23-03	L	Outer side Left 1000mm compl.	531 12 30-62	A	Saw handle
531 12 23-36	F	Retracting block WS 462	531 12 30-63	LM	Rail
531 12 23-38	K	Spacer	531 12 30-64	K	Mount
531 12 23-45	L	Splashguard complete	531 12 30-65	K	Roller guide
531 12 23-49	L	Splash shield	531 12 30-66	K	Cover
531 12 23-57	J	Friction plate	531 12 30-67	K	Locking cam
531 12 23-58	K	Guide wheel shaft, lower	531 12 30-68	K	Mount
531 12 23-60	J	Grade plate	531 12 30-69	K	Handle, plate
531 12 23-69	L	Outer side Right 1240mm compl.	531 12 30-70	K	Handle
531 12 23-76	L	Outer side Left 1240mm compl.	531 12 30-71	K	Excentric shaft
531 12 23-85	N	Bar	531 12 30-72	K	Lock
531 12 23-88	N	Cramp	531 12 30-73	LM	Slide rail
531 12 23-90	N	Guide plate	531 12 30-74	P	Pin socket
531 12 24-54	J	Mounting bracket	531 12 30-75	H	Track holder
531 12 24-55	J	Shaft	531 12 30-76	H	Clamping plate
531 12 24-56	J	Link to track-holder	531 12 30-77	H	Mounting bracket
531 12 24-57	J	Track holder	531 12 30-86	LM	Rail holder 2
531 12 24-58	J	Clamping plate	531 12 30-87	N	Bracket
531 12 24-59	J	Clamping plate nut	531 12 30-89	F	Valve block WS 462
531 12 24-60	J	Breaking plate	531 12 30-91	N	Handle
531 12 30 29	D	Gear house	531 12 30-95	E	Water hose
531 12 30-00	A	House	531 12 30-96	H	Coupling link
531 12 30-01	G	Saw carriage	531 12 30-97	H	Clamping washer
531 12 30-02	G	Socket	531 12 30-98	P	Toolbag
531 12 30-03	G	Holder right	531 12 31-00	B	Aluminium washer red
531 12 30-04	G	Holder left	531 12 31-03	B	Distance 20cc
531 12 30-05	G	Concentric shaft	531 12 43-11	M	Knob
531 12 30-06	G	Excentric shaft	531 14 20-25	F	Nipple 1/2"
531 12 30-07	G	Guide wheel	531 14 20-26	B	Nipple 1/8"
531 12 30-08	G	Nut for guide wheel	720 12 65-50	F	Cylidrical pin 4x6
531 12 30-09	G	Handle	720 12 71-50	G	Cylindrical pin 4x18

No.	Pos.	Description	No.	Pos.	Description
720 13 08-50	G	Cylindrical pin 5x16			
720 13 51-50	D	Cylindrical pin 6x16			
720 13 52-51	H	Cylindrical pin 6x18			
720 13 53-50	J	Cylindrical pin 6x20			
720 13 65-51	J	Cylindrical pin 6x50			
721 42 57-00	N	Spring pin 4x22			
721 42 58-00	F	Spring pin 4x25			
723 52 89-01	E	Screw MFS 4x10			
725 25 44-91	D	Screw M6S 12x60			
725 53 01-51	B	Screw MC6S 4x35 12.9			
725 53 62-01	K	Screw MC6S M6x8			
725 53 64-01	H	Screw MC6S 6x10			
725 53 66-01	LM	Screw MC6S 6x12			
725 53 68-01	GKL	Screw MC6S 6x16			
725 53 72-01	G	Screw MC6S 6x25			
725 53 76-01	F	Screw MC6S 6x35			
725 53 78-01	F	Screw MC6S 6x40			
725 54 53-01	FG	Screw MC6S 8x25			
725 54 64-01	D	Screw MC6S 8x65			
725 62 85-01	D	Screw MF6S 4x6			
725 62 87-01	D	Screw MF6S 4x8			
725 63 27-51	AEFK	Screw MF6S 5x12 10.9			
725 63 66-51	DE	Screw MF6S 6x12 10.9			
725 63 68-51	ADKLMN	Screw MF6S 6x16 10.9			
725 63 70-51	E	Screw MF6S 6x20 10.9			
725 64 47-51	E	Screw MF6S 8x12 10.9			
728 72 87-05	C	Stop screw S6SS 4x8			
728 73 64-05	GK	Stop screw S6SS 6x10			
731 43 20-01	GKN	Nut M10 low			
732 25 22-71	DJ	Locking nut M12			
734 11 63-01	FH	Washer 8,4x16			
735 31 28-10	G	Seeger circlip SGH 28			
735 31 30-10	F	Seeger circlip SGH 30			
735 31 33-00	C	Seeger circlip SGA 35			
735 31 33-10	K	Seeger circlip SGH 35			
738 21 05-00	D	Bearing			
738 21 10-04	C	Bearing 6010-2RS1			
738 22 02-24	K	Bearing 6202-2RS1 C2			
740 38 18-01	B	Sealing ring 1/8			
740 38 27-01	EQ	Sealing ring 1/4			
740 38 34-01	Q	Sealing washer 3/8"			
740 42 07-00	E	O-ring 9,1x1,6			
740 42 14-00	G	O-ring 16,1x1,6			
740 43 07-00	FH	O-ring 9,3x2,4			
740 43 09-00	BF	O-ring 11,3x2,4			
740 43 11-00	D	O-ring 13,3x2,4			
740 44 04-00	F	O-ring 19,2x3			



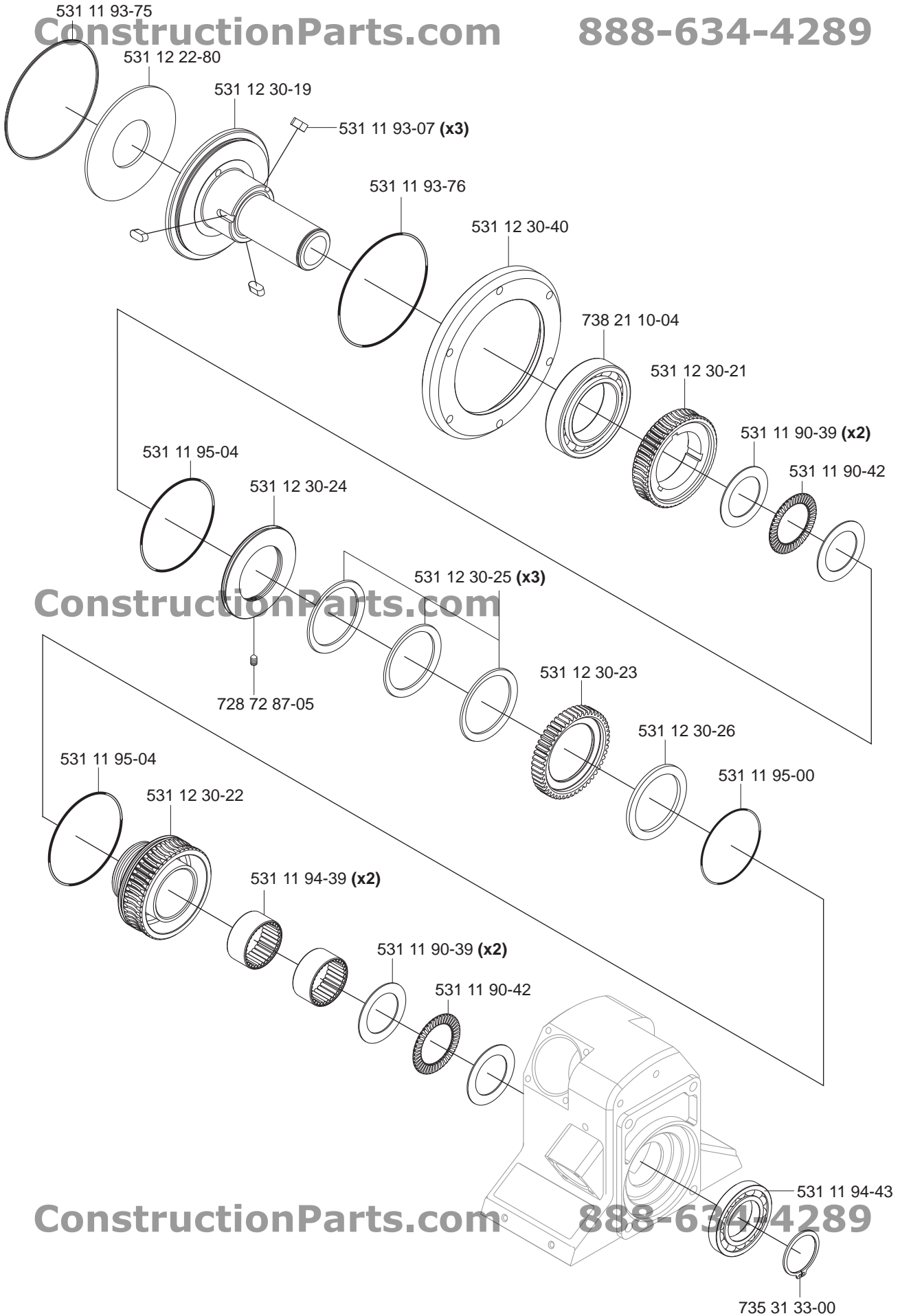
B DIMAS WS-462. Saw Unit



C DIMAS WS-462. Gear box

ConstructionParts.com

888-634-4289

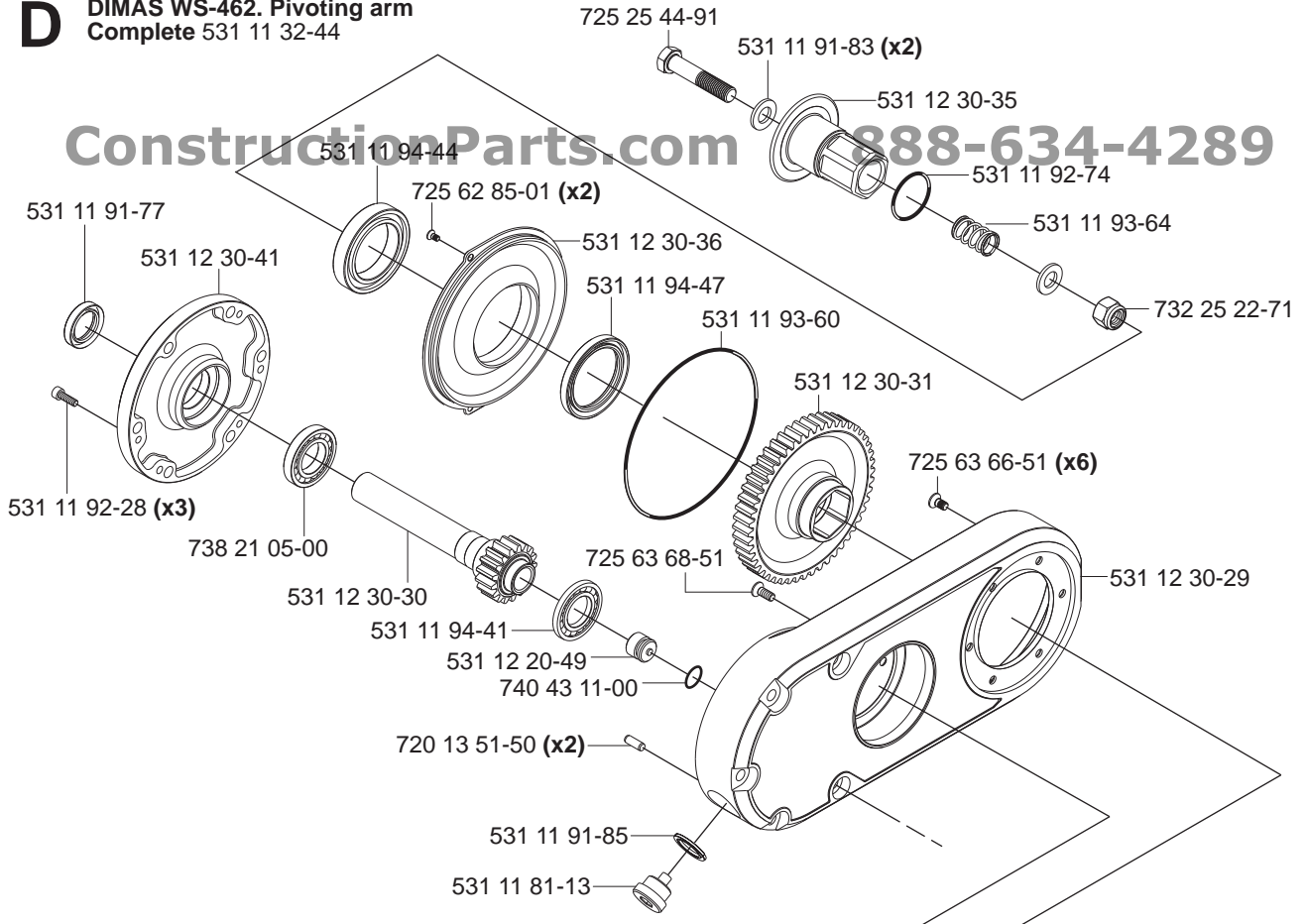


ConstructionParts.com

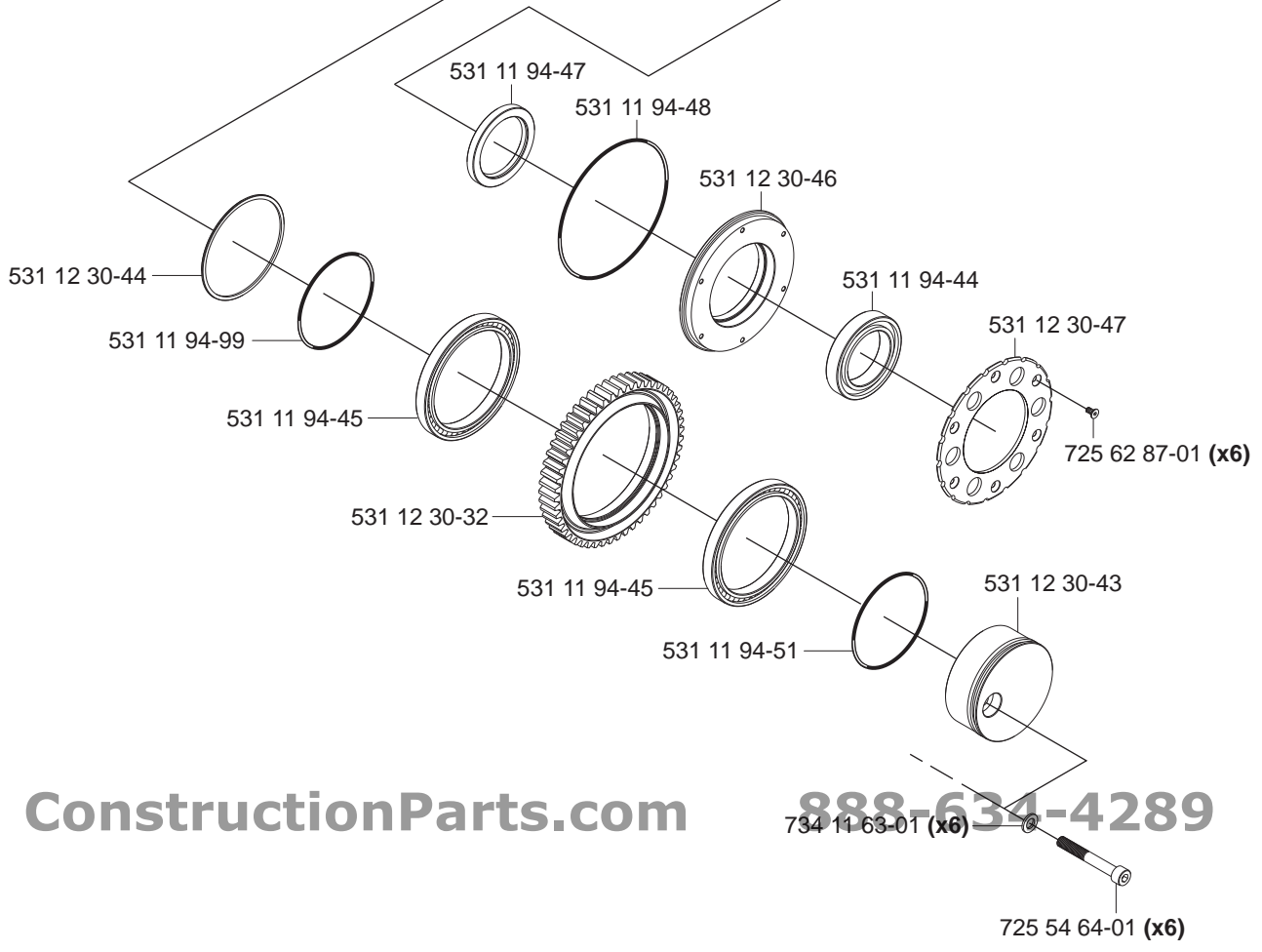
ConstructionParts.com

888-634-4289

D DIMAS WS-462. Pivoting arm
Complete 531 11 32-44

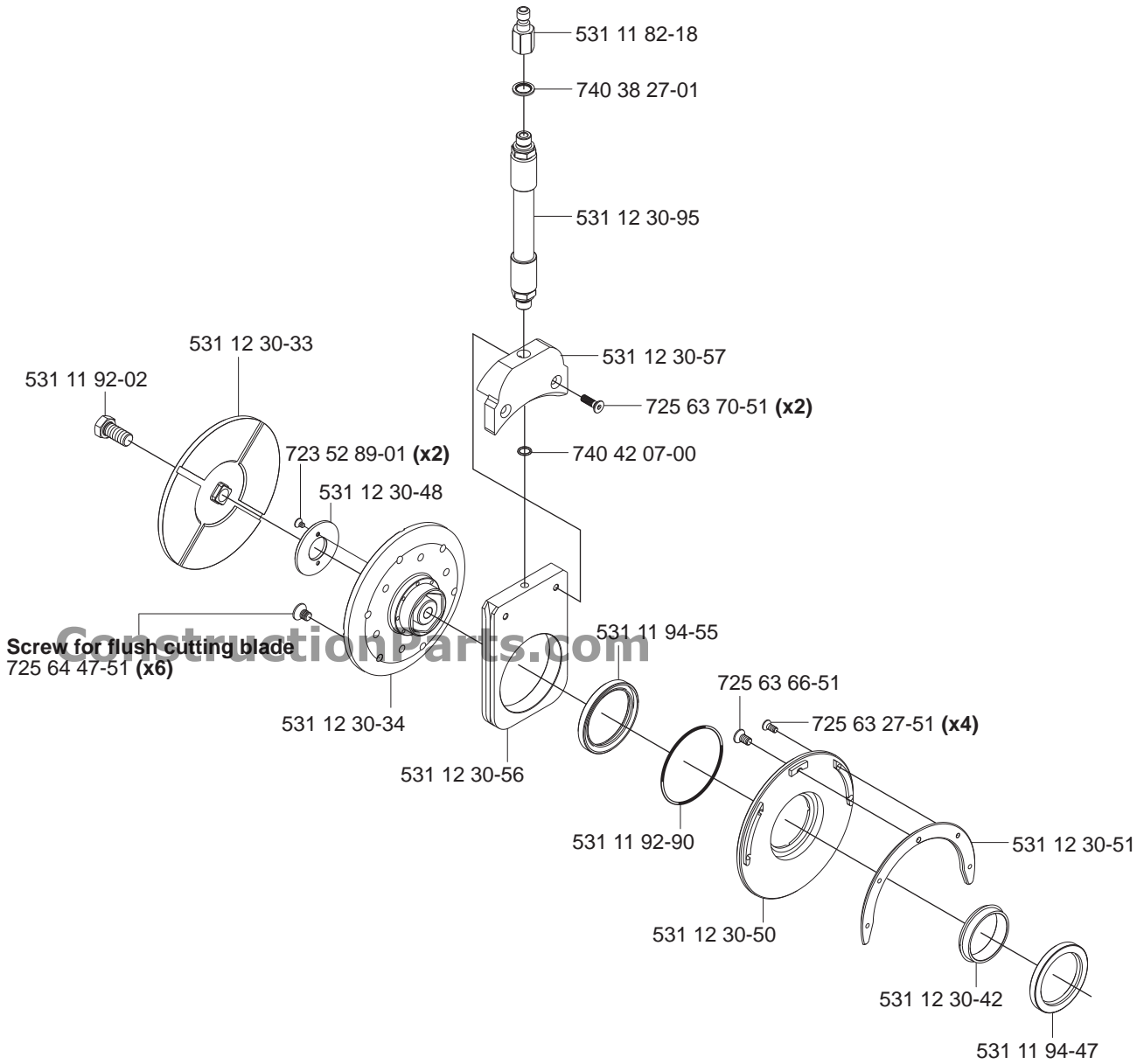


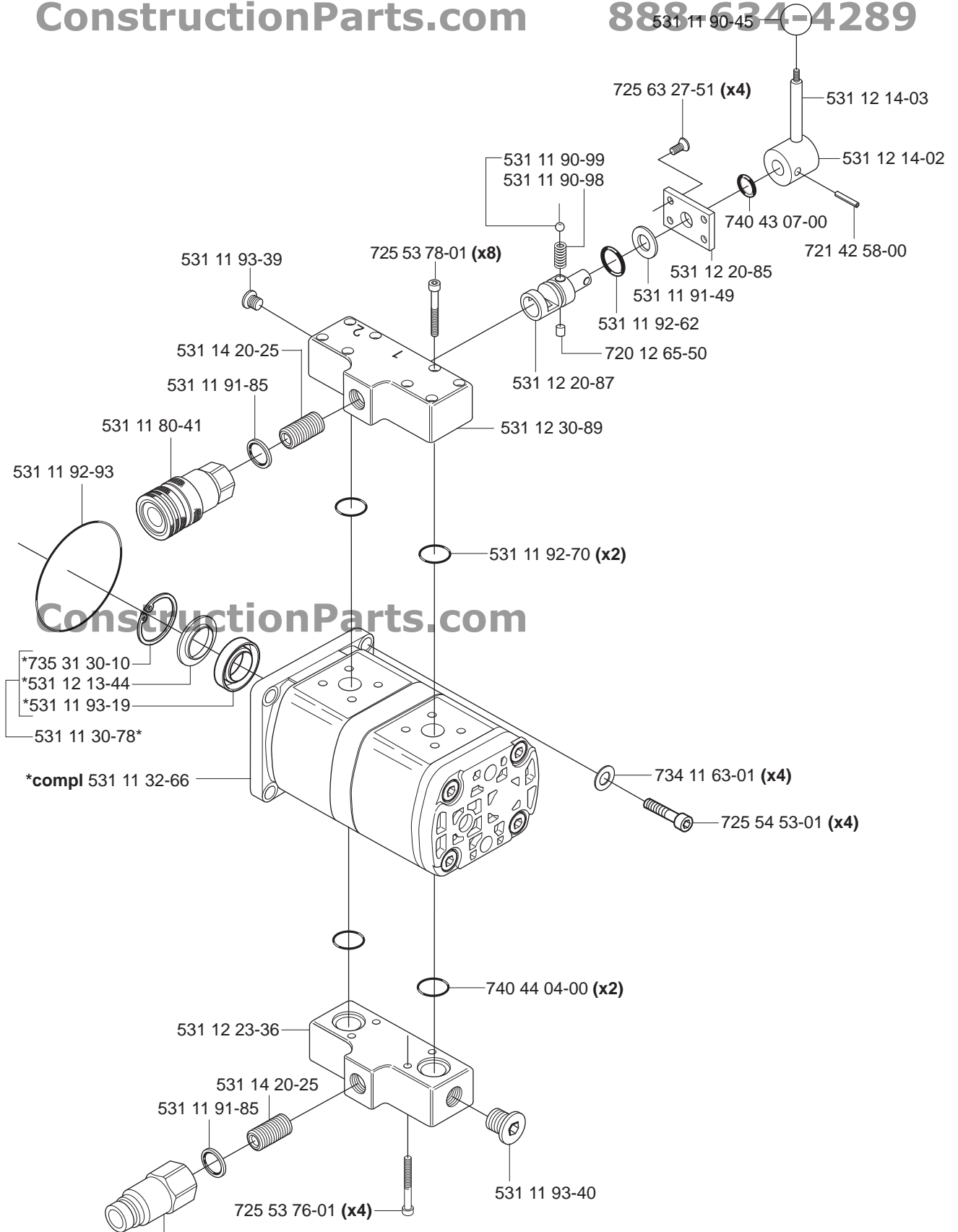
ConstructionParts.com



ConstructionParts.com

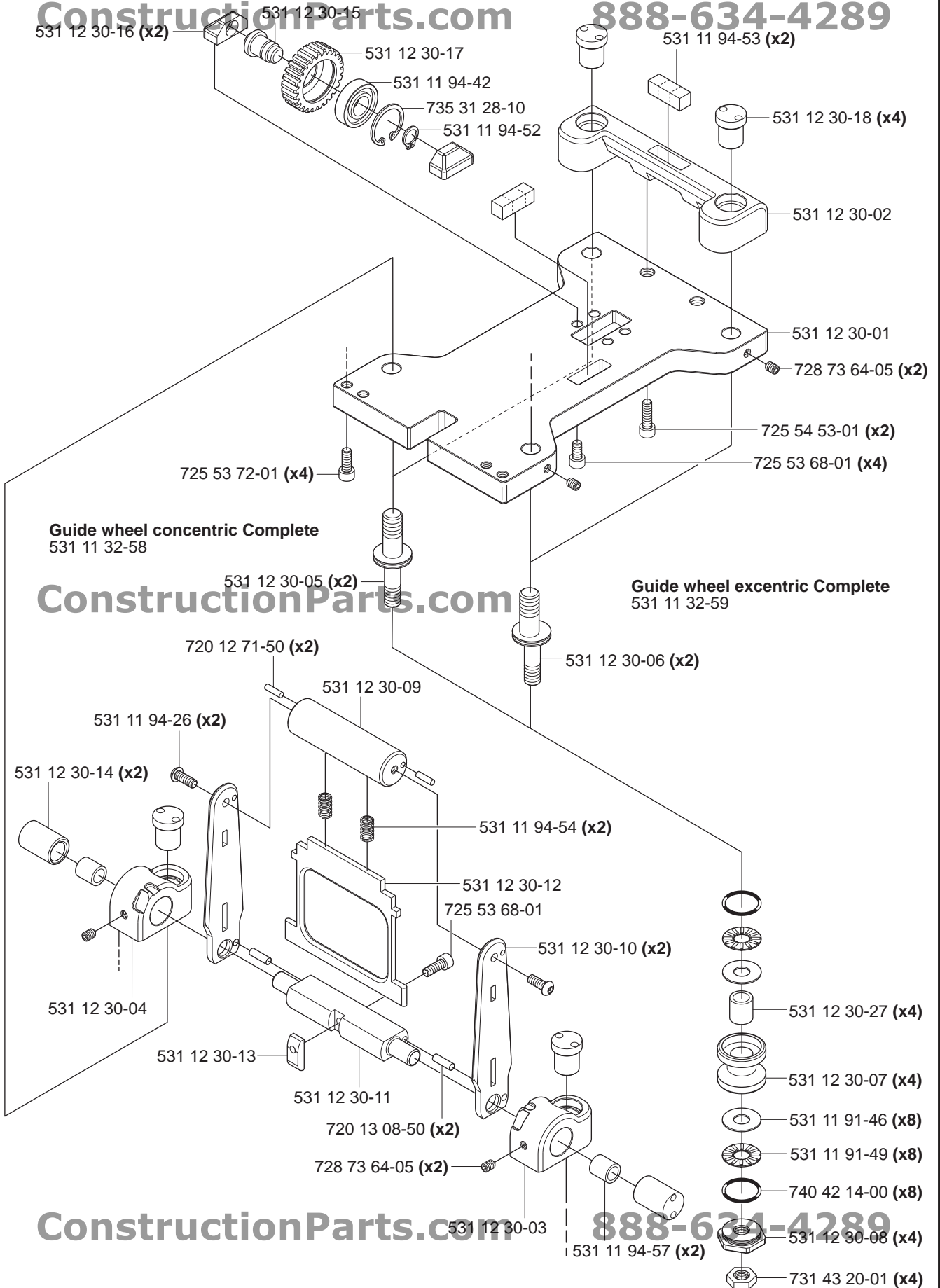
888-634-4289





ConstructionParts.com

888-634-4289



ConstructionParts.com

888-634-4289

H**DIMAS WS-462. Track 1.2m, 2.0m, 2.2m, Mounting Bracket & Coupling Link****Track complete**

1.2m 531 11 30-45

2.0m 531 11 30-46

2.2m 531 11 30-47

531 11 92-03 (x2)

531 11 91-83 (x2)

531 11 91-52 (x4) 1.2m

531 11 91-52 (x6) 2.0m

531 11 91-52 (x7) 2.2m

725 53 64-01 (x4) 1.2m

725 53 64-01 (x6) 2.0m

725 53 64-01 (x7) 2.2m

Coupling link complete

531 11 32-47

531 12 30-97 (x2)

531 11 91-83 (x4)

531 11 92-03 (x4)

531 12 30-96

531 12 20-44 (x4) 1.2m

531 12 20-43 (x4) 2.0m

531 12 21-25 (x4) 2.2m

ConstructionParts.com

531 12 30-77

Mounting bracket complete

531 11 32-46

531 12 21-18

531 11 92-02

531 11 91-83

531 11 92-02

531 12 20-28 1.2m

531 12 20-27 2.0m

531 12 21-24 2.2m

740 43 07-00 (x2)

531 12 20-70 (x2)

531 12 21-21 1.2m

531 12 21-22 2.0m

531 12 21-23 2.2m

Track holder complete

531 11 32-48

531 11 94-56

734 11 63-01

720 13 52-51 (x2)

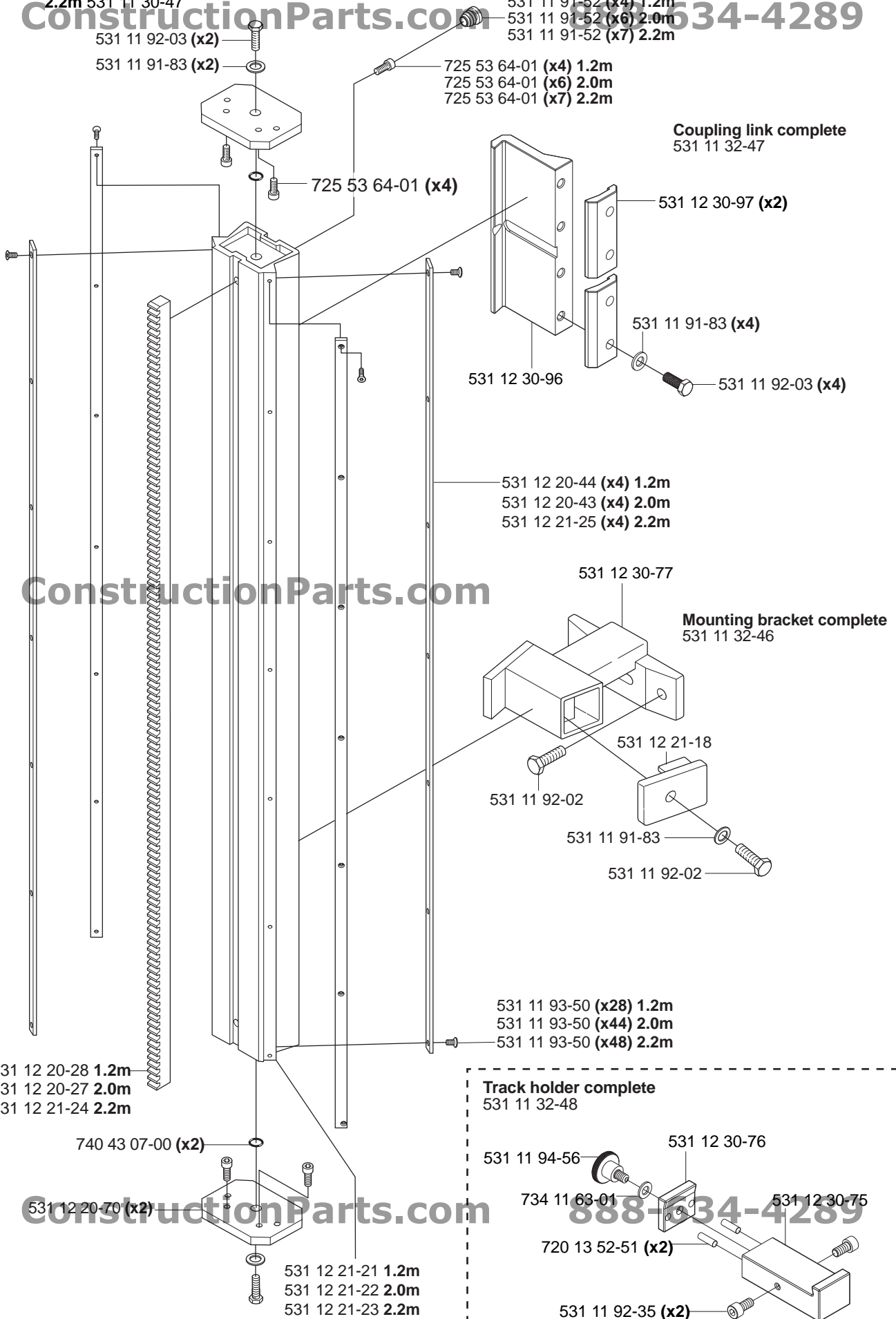
531 11 92-35 (x2)

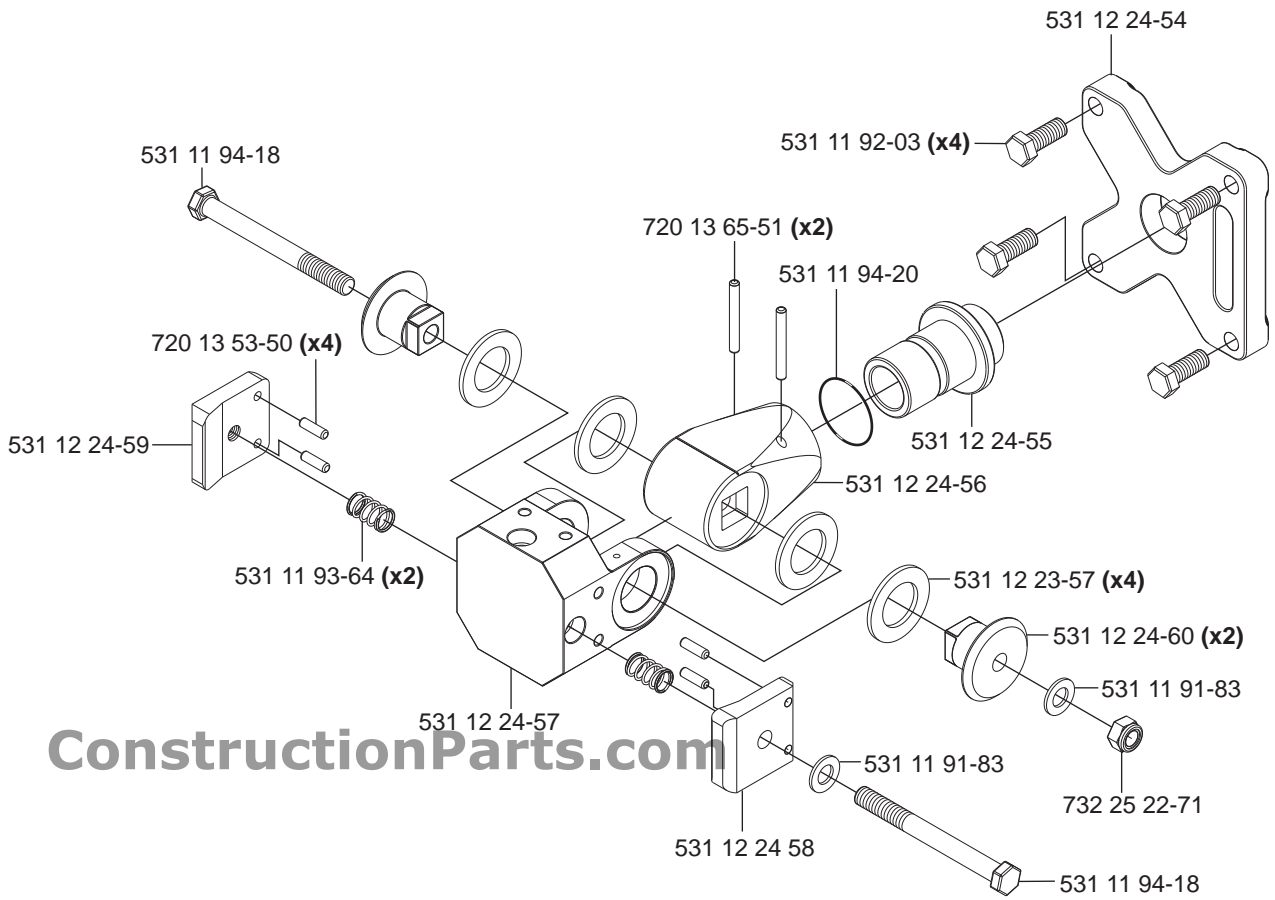
531 12 30-76

531 12 30-75

ConstructionParts.com

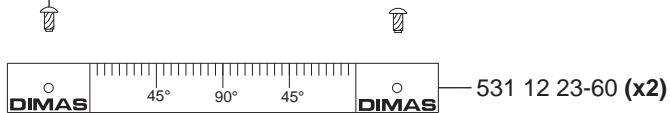
888-634-4289



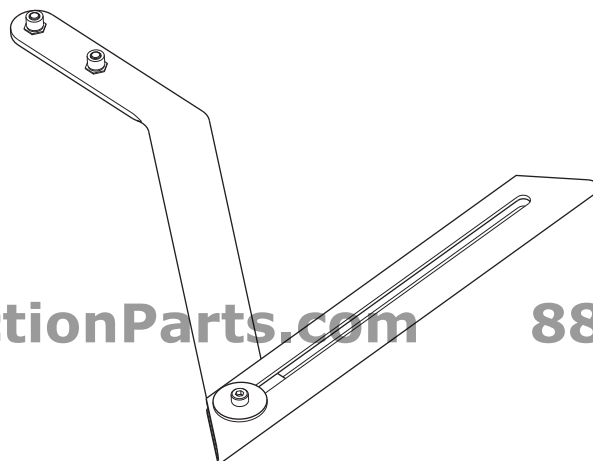


ConstructionParts.com

531 11 90-95 (x4)

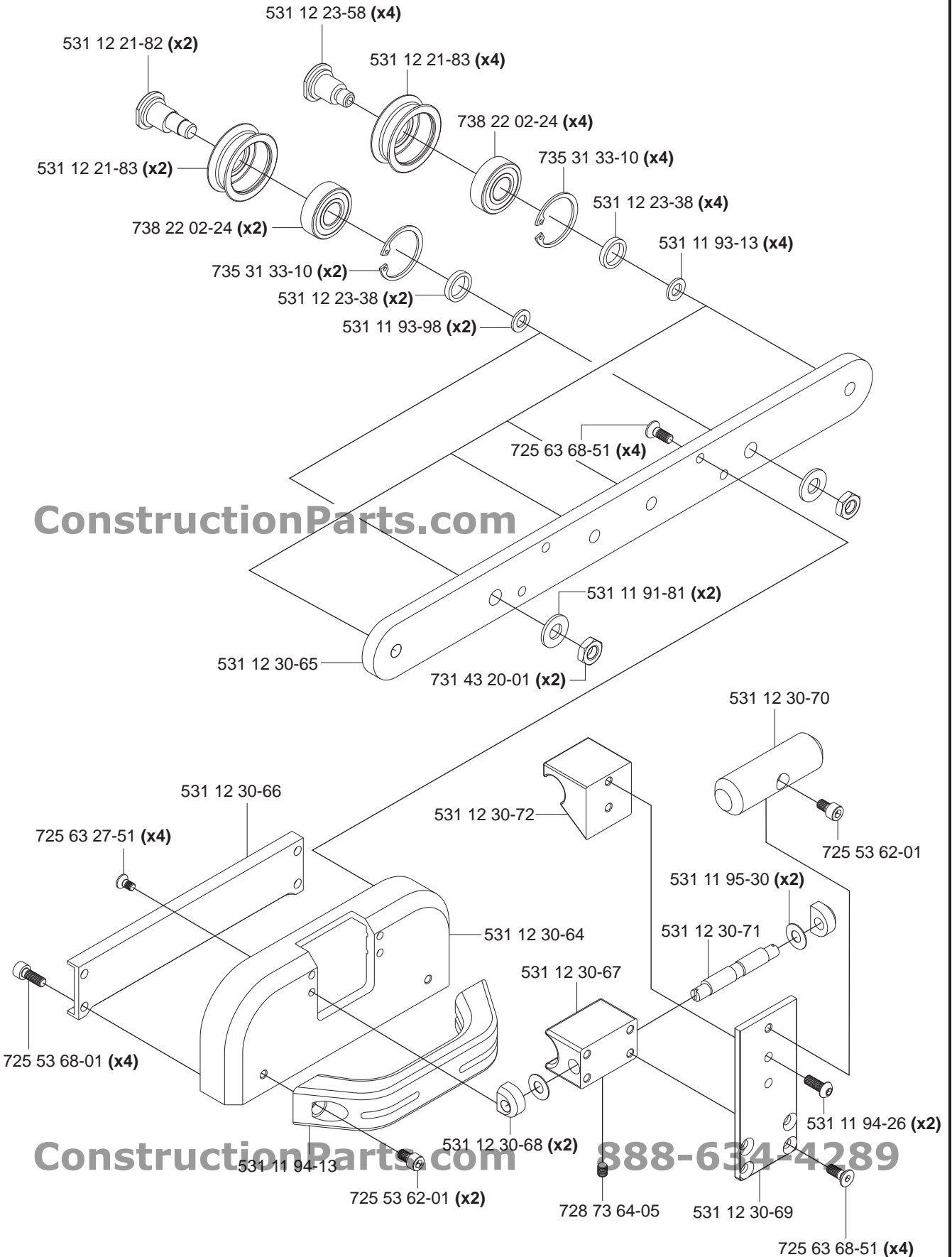


Measure rod complete 531 11 32-65



ConstructionParts.com

888-634-4289





Bladeguard compl.

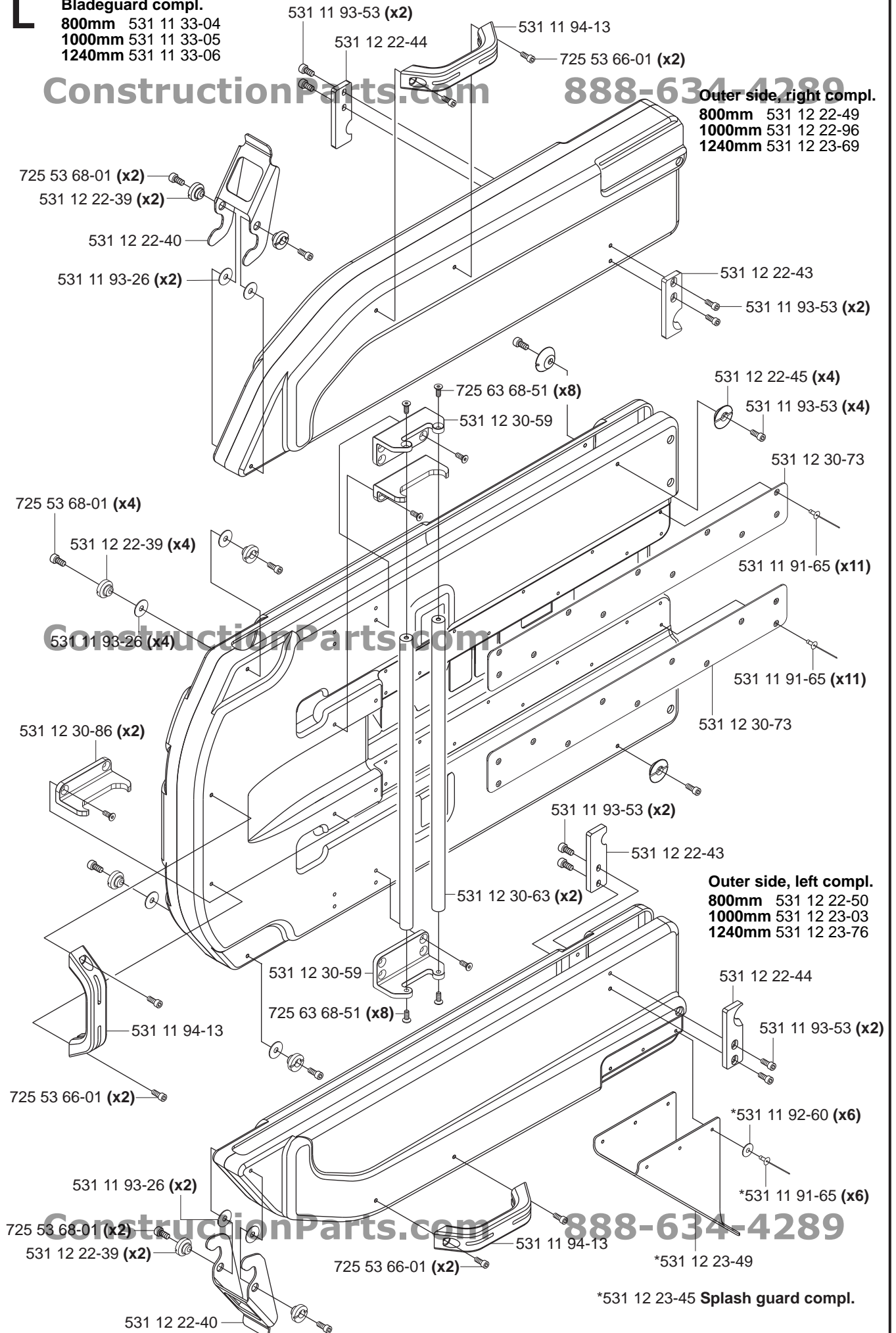
- 800mm 531 11 33-04
- 1000mm 531 11 33-05
- 1240mm 531 11 33-06

ConstructionParts.com

888-634-4289

Outer side, right compl.

- 800mm 531 12 22-49
- 1000mm 531 12 22-96
- 1240mm 531 12 23-69



ConstructionParts.com

ConstructionParts.com 888-634-4289

M Flush blade guard compl.

- 800mm 531 11 33-07
- 1000mm 531 11 33-08
- 1240mm 531 11 33-09

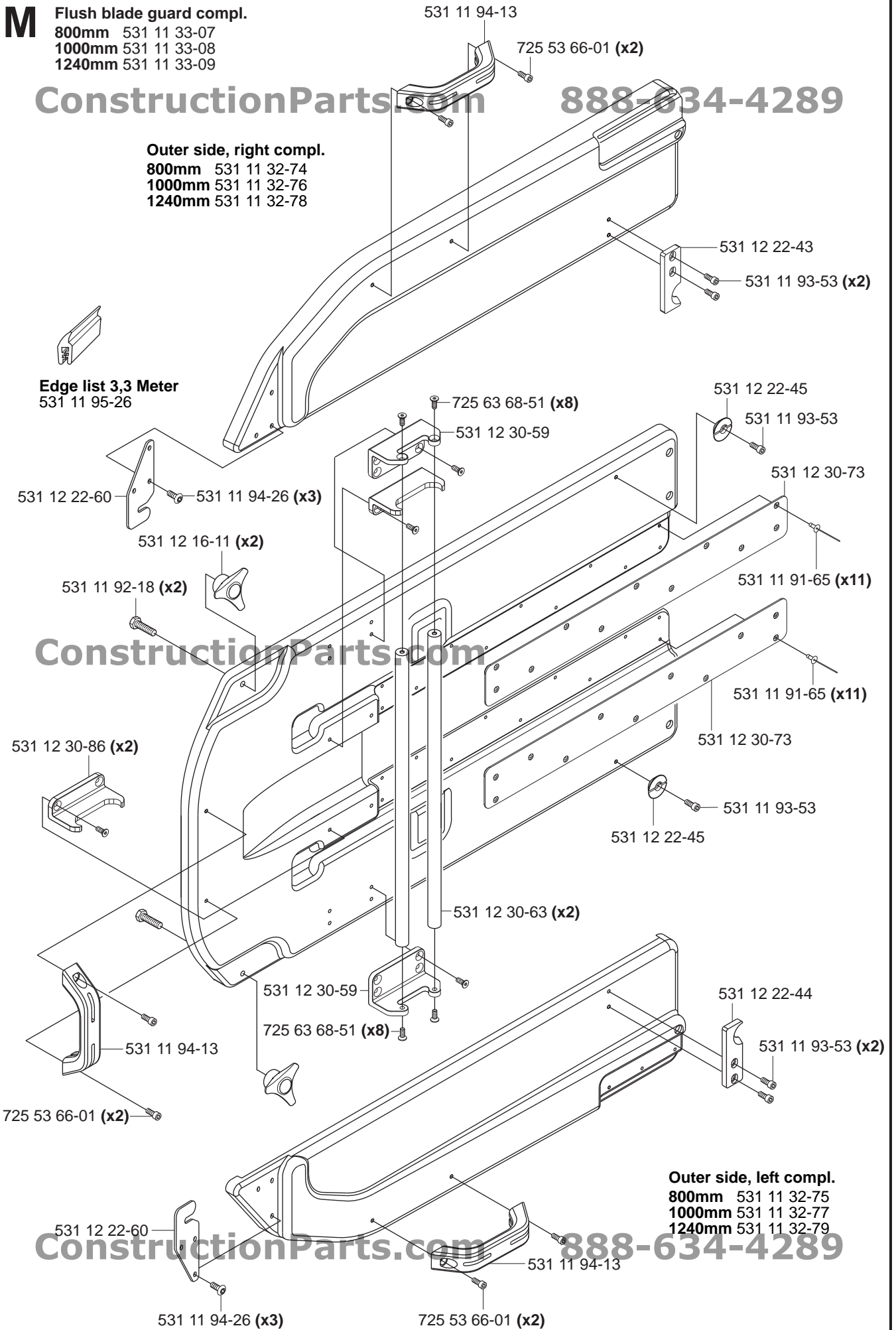
ConstructionParts.com

888-634-4289

Outer side, right compl.

- 800mm 531 11 32-74
- 1000mm 531 11 32-76
- 1240mm 531 11 32-78

Edge list 3,3 Meter
531 11 95-26



ConstructionParts.com

ConstructionParts.com

888-634-4289

Outer side, left compl.

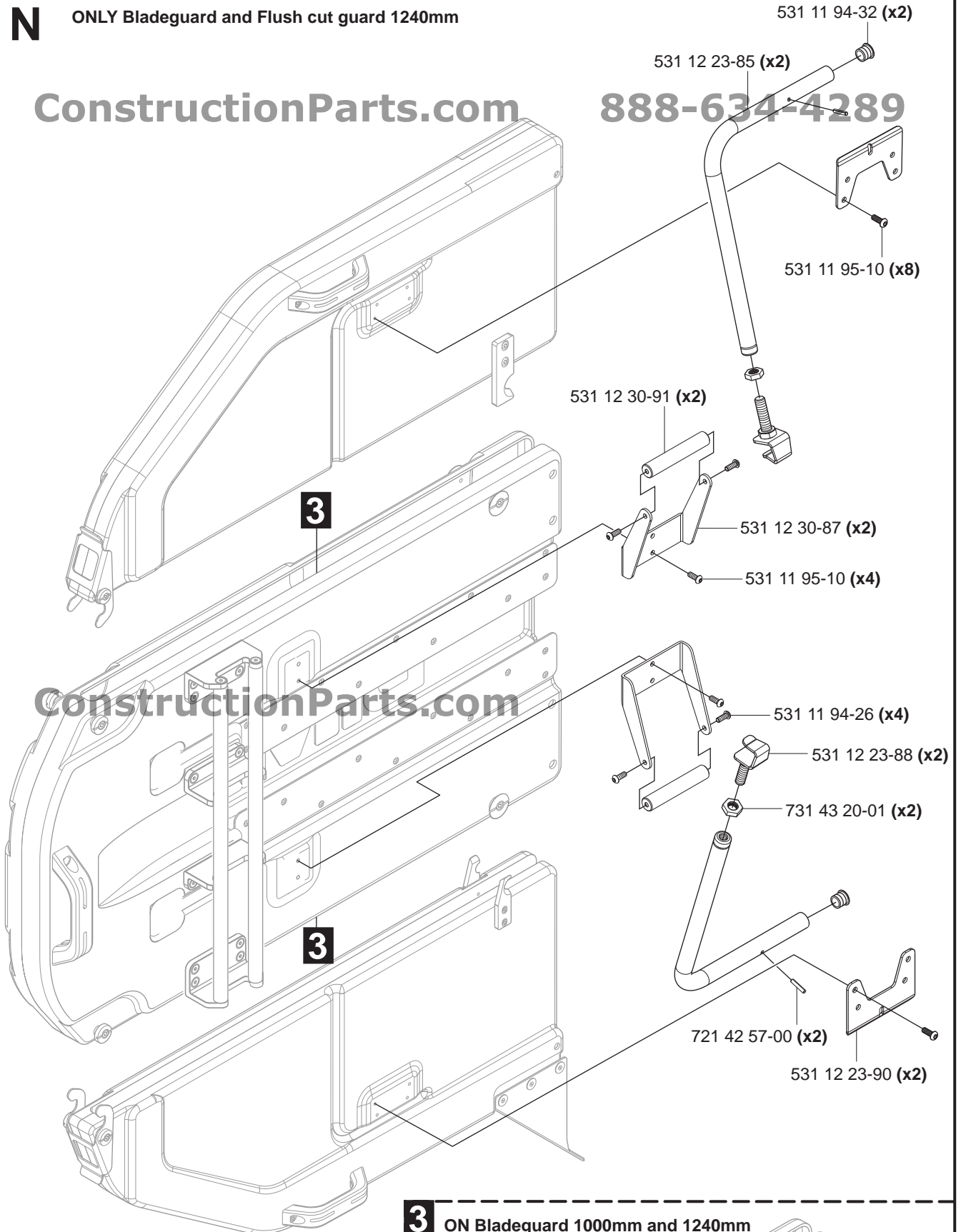
- 800mm 531 11 32-75
- 1000mm 531 11 32-77
- 1240mm 531 11 32-79

N

ONLY Bladeguard and Flush cut guard 1240mm

ConstructionParts.com

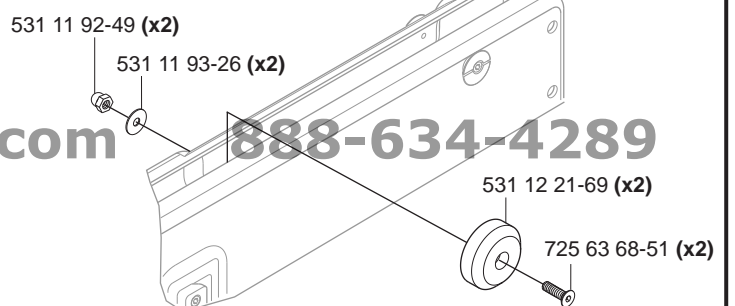
888-634-4289



3 ON Bladeguard 1000mm and 1240mm

ConstructionParts.com

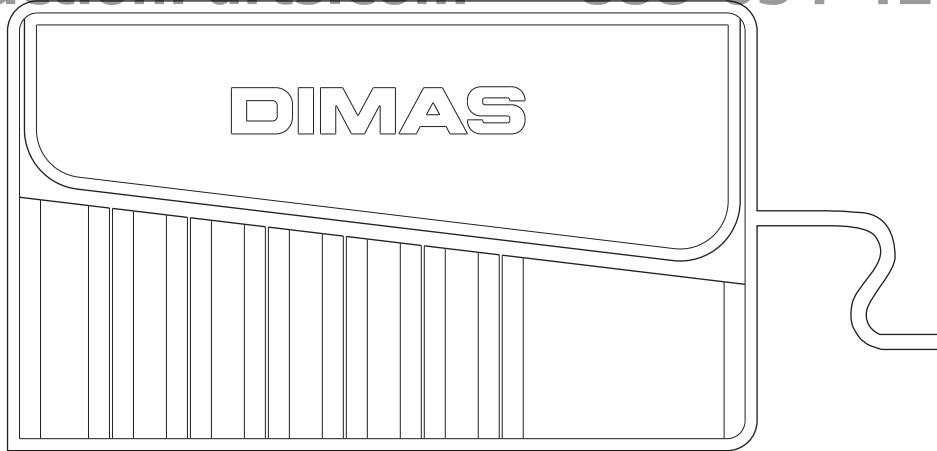
888-634-4289



531 12 30-98

ConstructionParts.com

888-634-4289



531 11 95-31



531 11 95-32



531 11 90-65



531 11 95-33



531 11 95-41



19mm

531 11 95-34



18mm

531 12 30-74



ConstructionParts.com

531 11 95-35



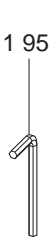
10mm

531 11 95-36



8mm

531 11 95-37



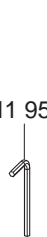
6mm

531 11 95-38



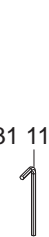
5mm

531 11 95-39



4mm

531 11 95-40



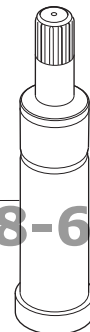
3mm

531 11 32-49



ConstructionParts.com

531 11 91-08



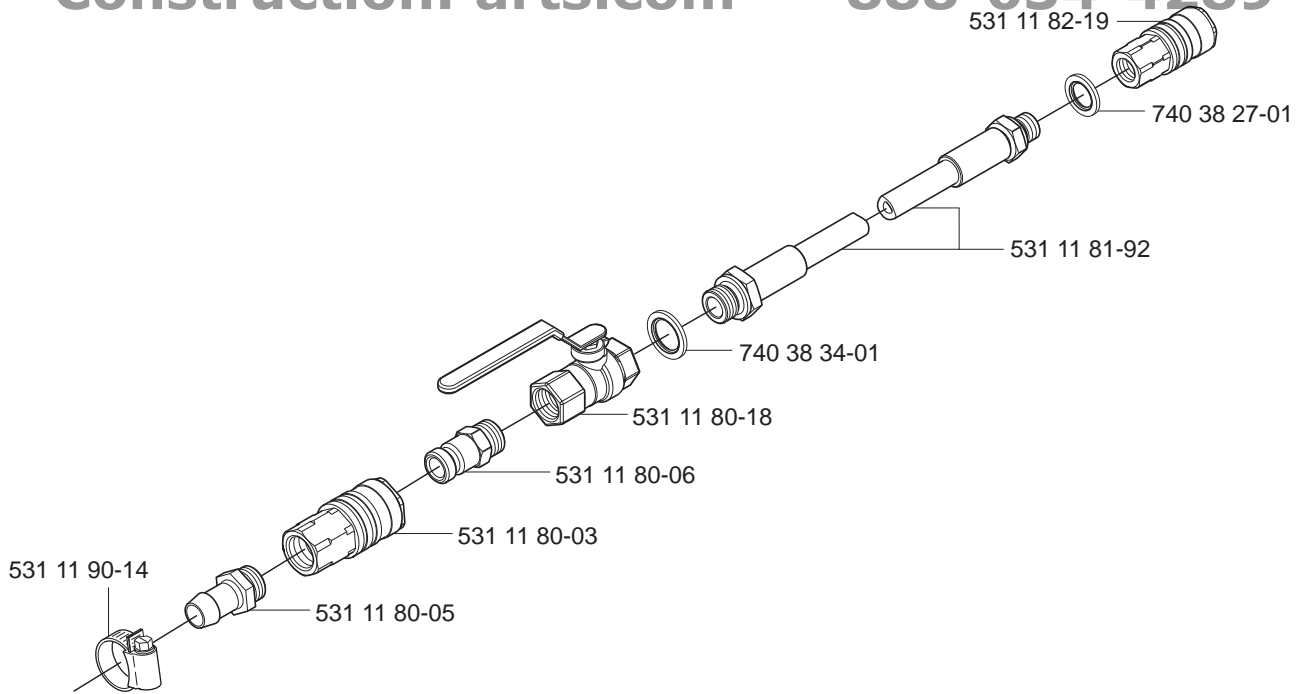
888-634-4289



WS 462 Water hose with valve
compl 531 11 30-37

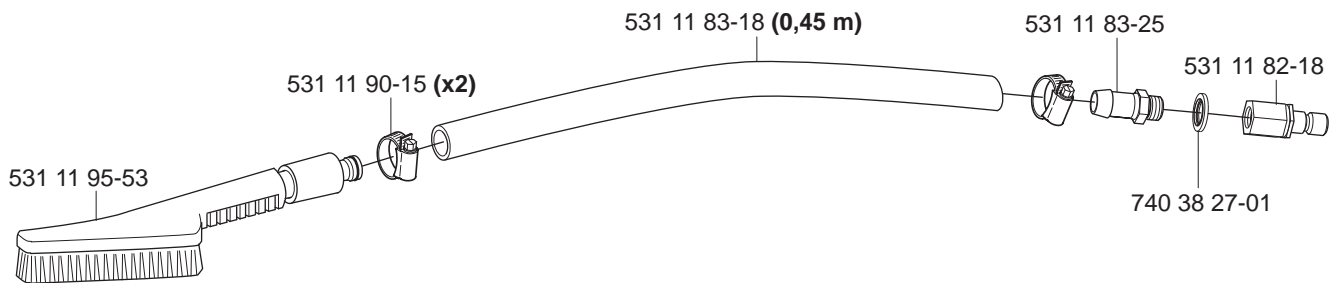
ConstructionParts.com

888-634-4289



ConstructionParts.com

WS 462 Cleanig brush
compl 531 11 32-68



ConstructionParts.com

888-634-4289