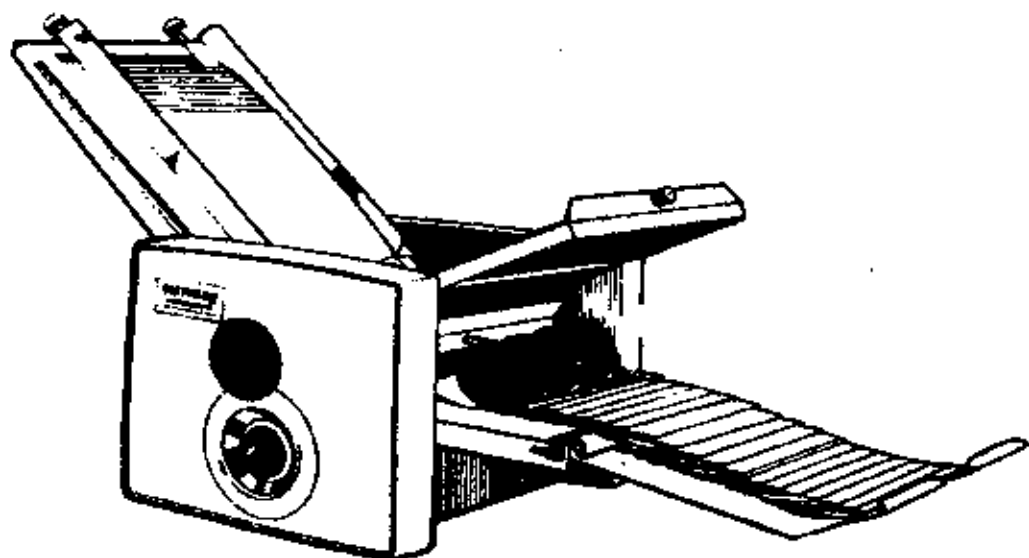


EASTFOLD 22

Jet-Speed Folder



**Illustrated Parts List
and
Service Instructions**

MBM
CORPORATION

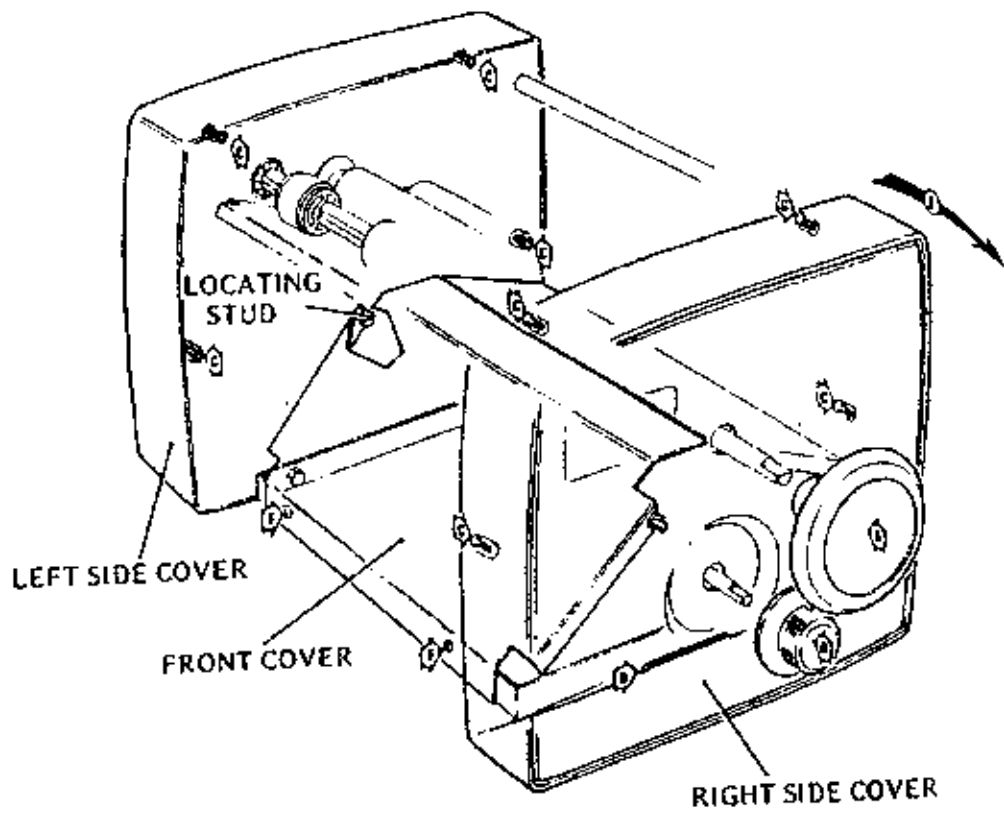
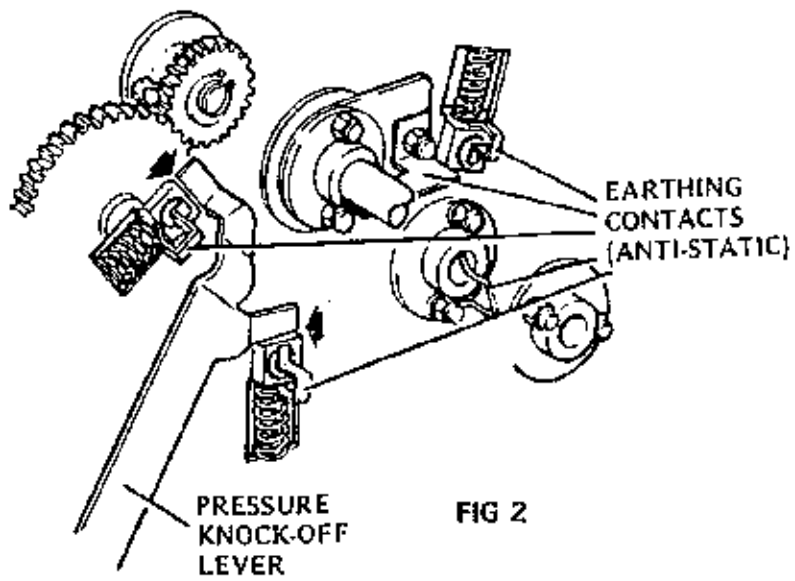


FIG 1



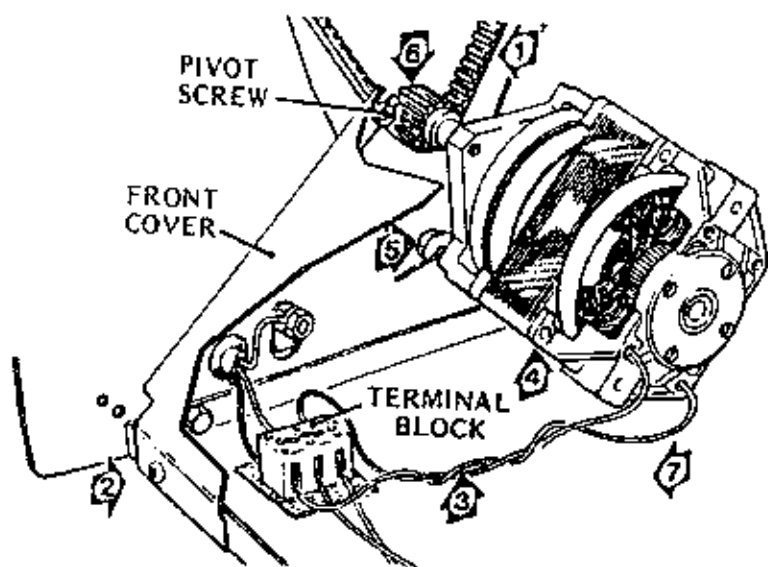
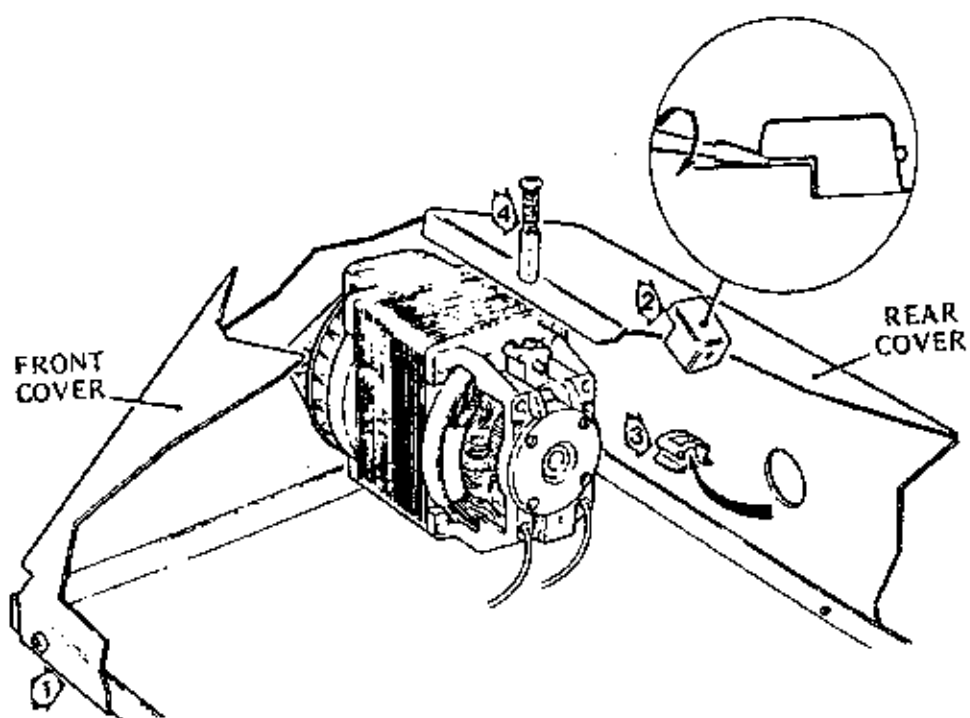
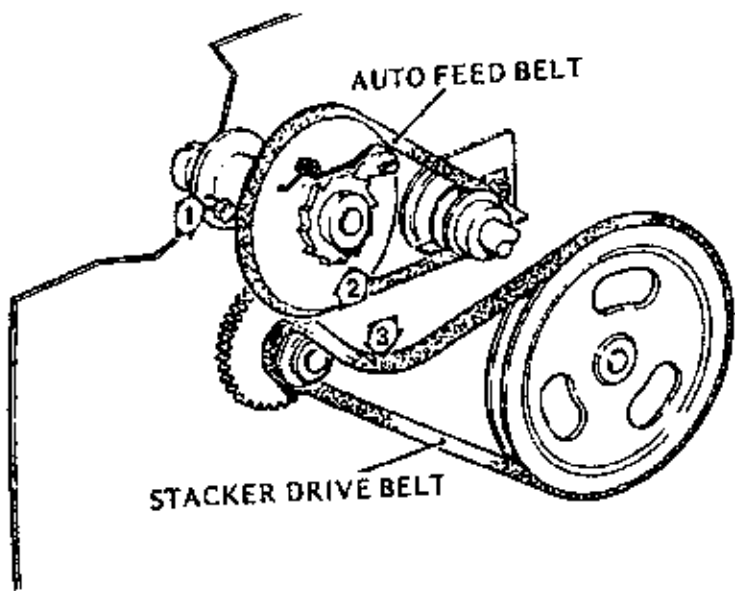


FIG. 3





SERVICE INSTRUCTION:

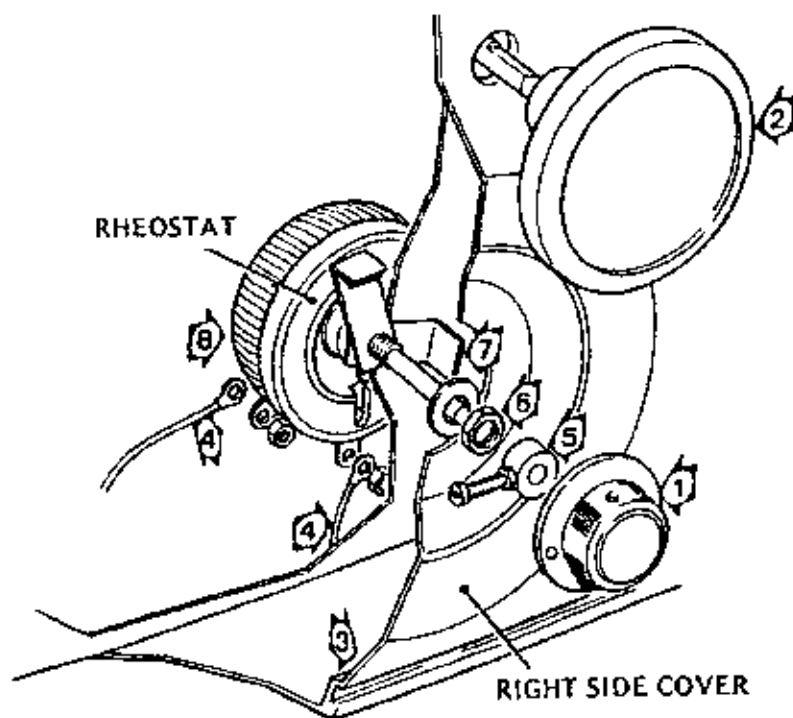


FIG. 6

FIG.7

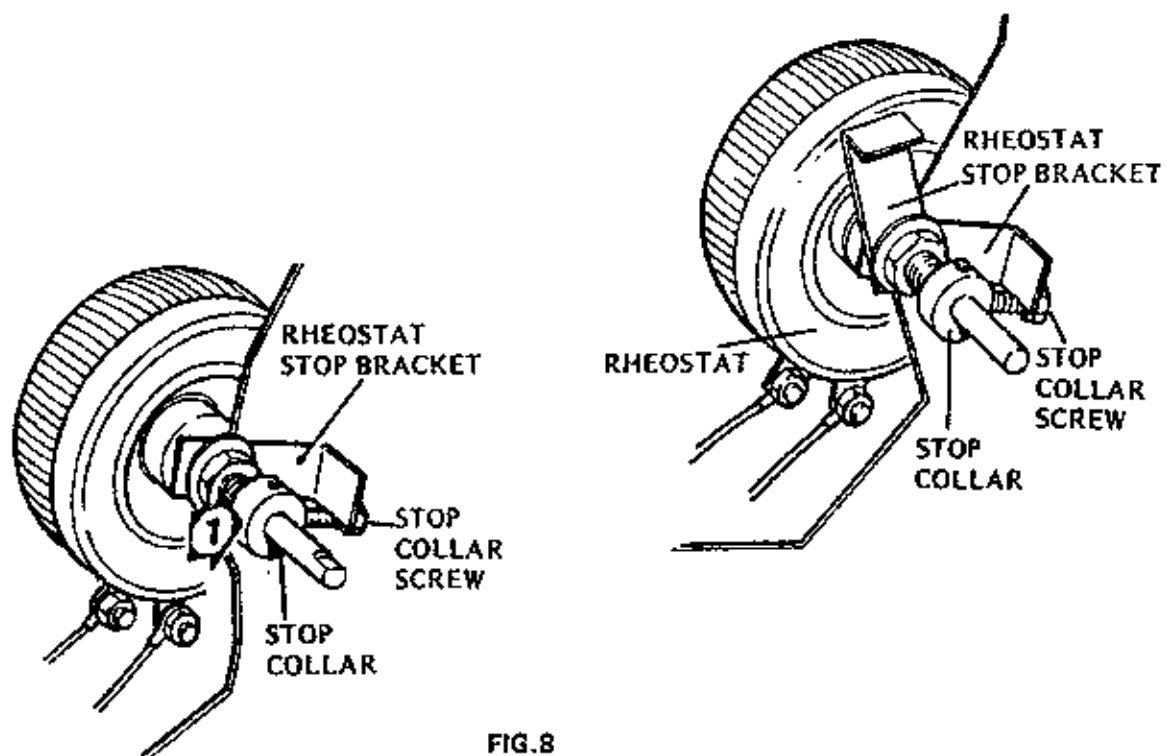


FIG.8

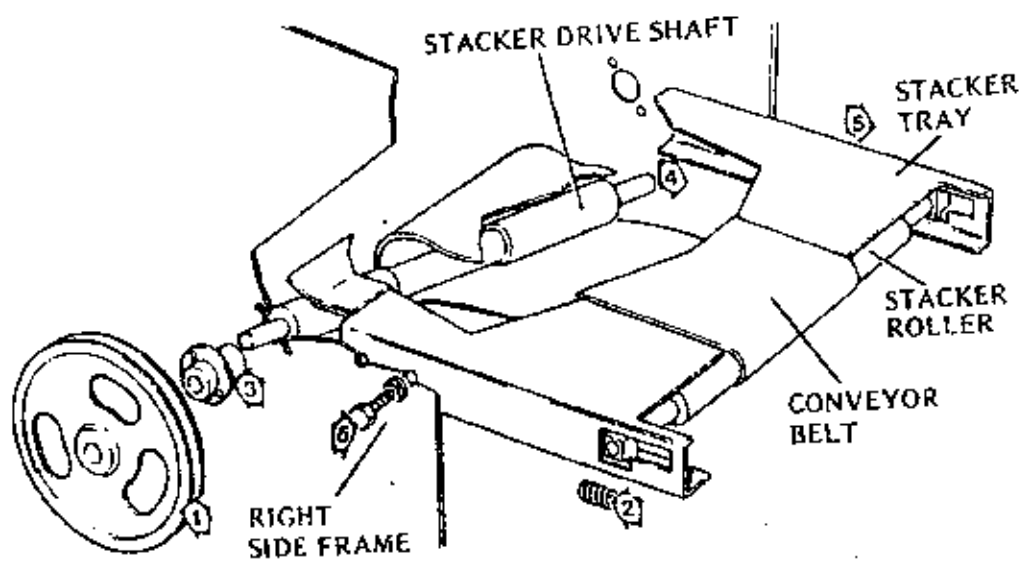
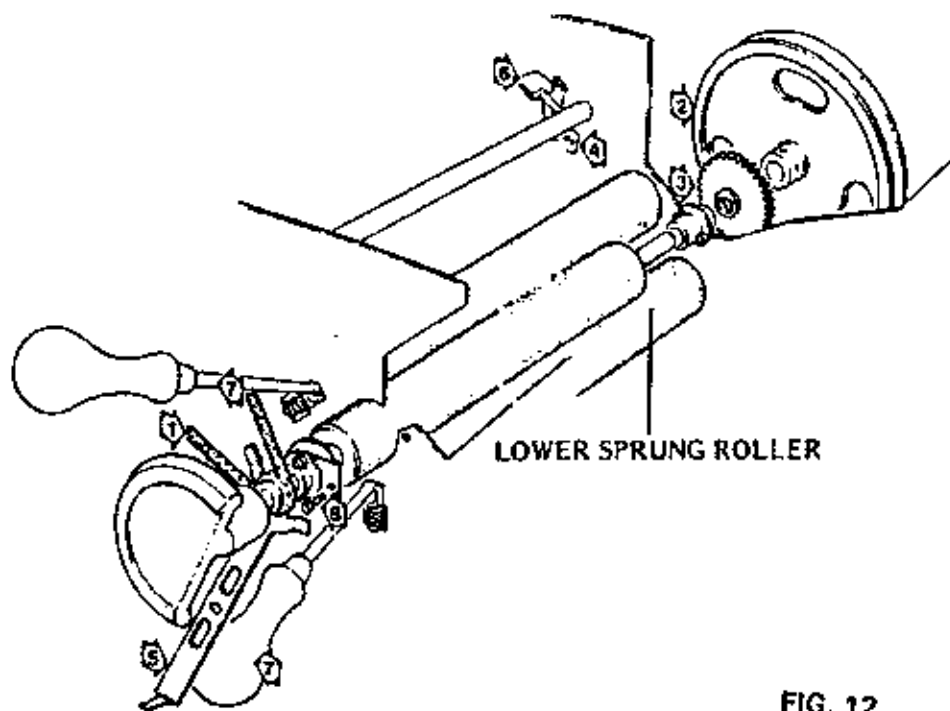
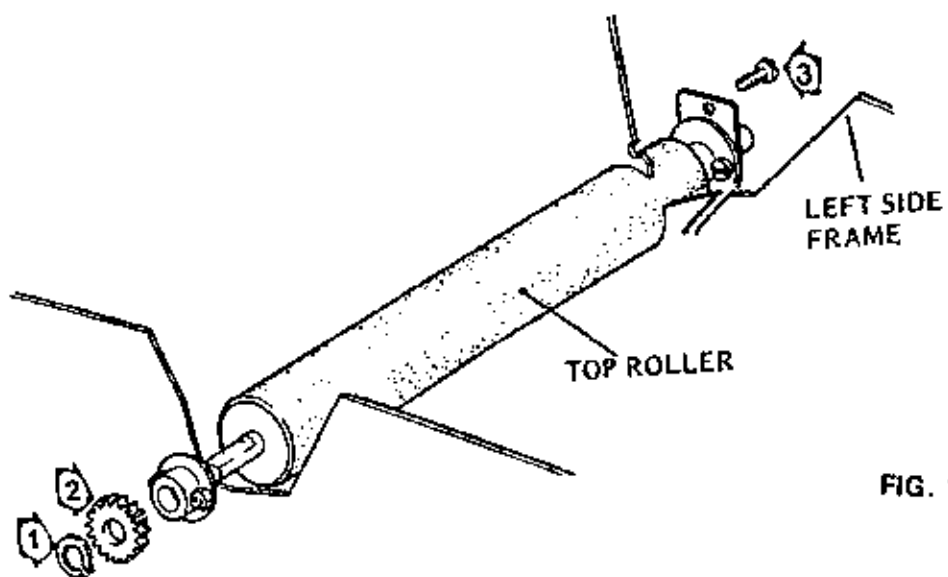


FIG. 9



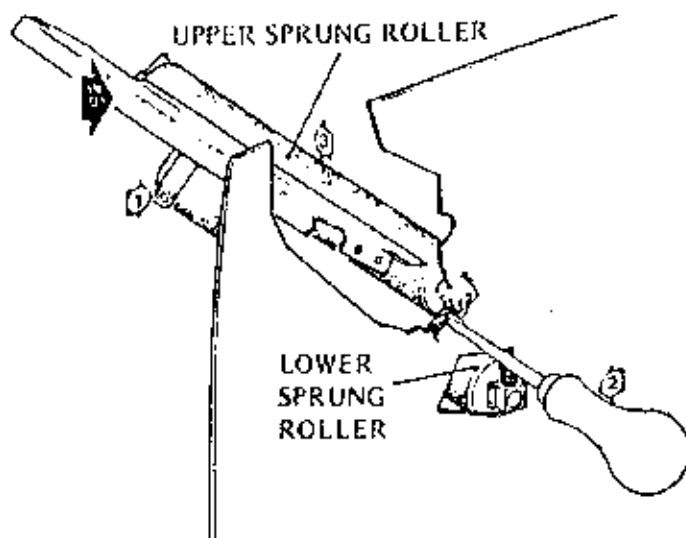


FIG. 13

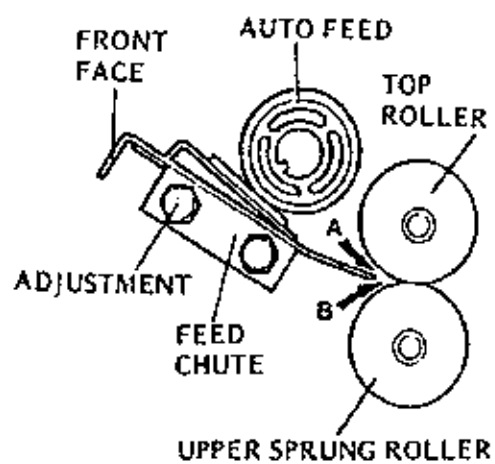


FIG. 14

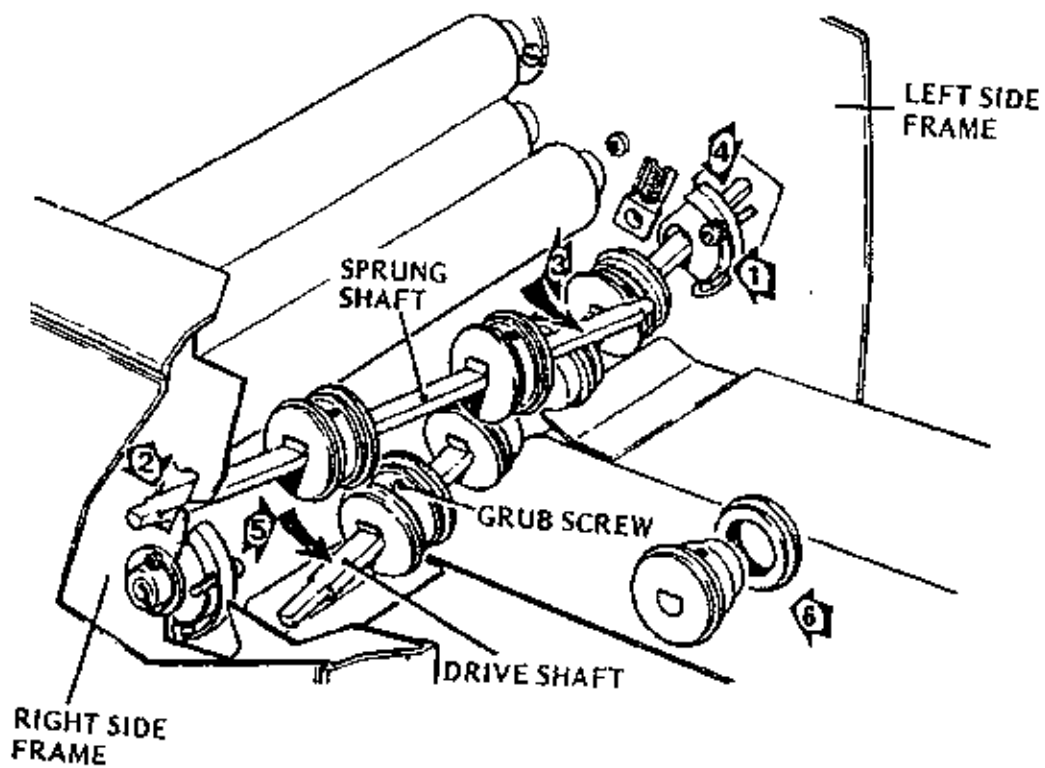
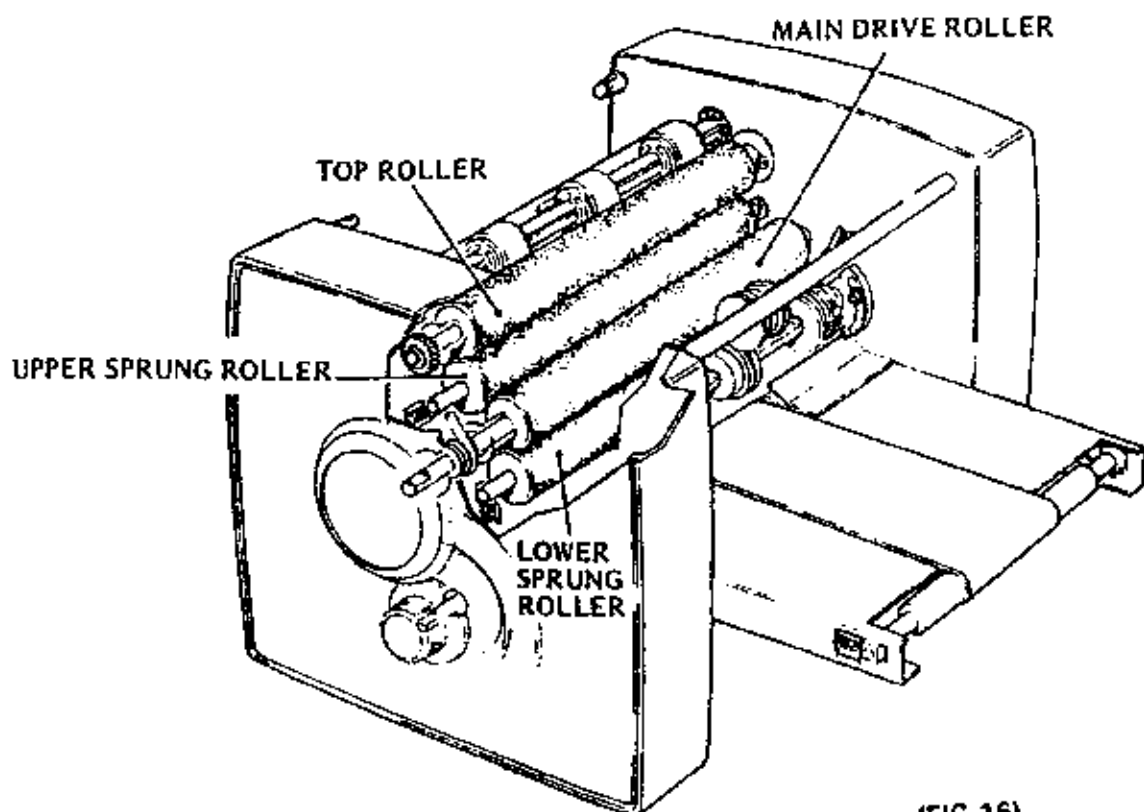


FIG. 15



(FIG. 16)

MBM FASTFOLD22

GBC#	MBM#	DESCRIPTION
1723832	AA1462	AUTOFEED WHEEL
1724812	AA1074	AUTOFEED STONE
1724952	AA1077	A FEED FLAP CPL.
1726217	AA1324	PERF / SLITTER UNIT
1726410	AA1001	MAIN DRIVE ROLLER
1726411	AA1060	STACKER ROLLER
1726412	AA1004	TOP ROLLER
1726413	AA1007	LOW & UP SPRUNG ROLLERS
1726560	SL17-179	SPEED CONTROL
1726590	AA1383	BRIDGE PLATE CPL.
1726624	AA1428	UPPER FOLD PLATE ASSY
1726647	AA1090/A	THUMBSCREW (SHORT)
1726654	AA1120	CREASER BOSS
1726705	SL20-78	MOTOR*
1726719	AA1429	LOWER FOLD TRAY ASSY
1726734	Aa1410	AUTO FEED SHAFT CPL.
1726759	AA1363	RECEIVING TRAY CPL.
1726949	SL22-65	AUTOFEED BELT
1726950	SL22-51	STACKER BELT
1726999	AA1214	DRIVEN PULLEY
1727038	AA1121	CREASER BOSS WHEEL
1727801	AA1011A	BEARING
1727802	AA1012B	SPRING
1728370	AA1410A	AUTOFEED SHAFT
1728498	TRU36	GRIP RING

*Motor Resistance is 5.4 ohms

MBM FASTFOLD22

GBC#	MBM#	DESCRIPTION
1723832	AA1462	AUTOFEED WHEEL
1724812	AA1074	AUTOFEED STONE
1724952	AA1077	AFEEED FLAP CPL.
1726217	AA1324	PERF / SLITTER UNIT
1726410	AA1001	MAIN DRIVE ROLLER
1726411	AA1060	STACKER ROLLER
1726412	AA1004	TOP ROLLER
1726413	AA1007	LOW & UP SPRUNG ROLLERS
1726560	SL17-179	SPEED CONTROL
1726590	AA1383	BRIDGE PLATE CPL.
1726624	AA1428	UPPER FOLD PLATE ASSY
1726647	AA1090/A	THUMBSCREW (SHORT)
1726654	AA1120	CREASER BOSS
1726705	SL20-78	MOTOR*
1726719	AA1429	LOWER FOLD TRAY ASSY
1726734	Aa1410	AUTO FEED SHAFT CPL.
1726759	AA1363	RECEIVING TRAY CPL.
1726949	SL22-65	AUTOFEED BELT
1726950	SL22-51	STACKER BELT
1726999	AA1214	DRIVEN PULLEY
1727038	AA1121	CREASER BOSS WHEEL
1727801	AA1011A	BEARING
1727802	AA1012B	SPRING
1728370	AA1410A	AUTOFEED SHAFT
1728498	TRU36	GRIP RING

*Motor Resistance is 5.4 ohms