

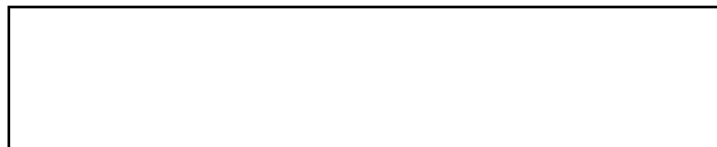
PARTS MANUAL



WHISPERWATT SERIES MODEL DCA150SSJU4F2 PORTABLE GENERATOR (JOHN DEERE 6068HFG05 DIESEL ENGINE)

PARTS LIST NO. M3871300704

Revision #0 (04/14/21)



THIS MANUAL MUST ACCOMPANY THE EQUIPMENT AT ALL TIMES.

TABLE OF CONTENTS

DCA150SSJU4F2 60Hz Generator

Table Of Contents.....	2
Explanation Of Code In Remarks Column.....	4
Suggested Spare Parts	5

Component Drawings

Generator Assembly	6–7
Control Panel Assembly	8–9
Control Box Assembly	10–13
Engine And Radiator Assembly.....	14–17
Output Terminal Assembly.....	18–21
Battery Assembly.....	22–23
Muffler Assembly	24–25
Plumbing Assembly	26–29
Fuel Tank Assembly.....	30–31
Enclosure 1 Assembly	32–37
Enclosure 2 Assembly	38–39
Rubber Seals Assembly	40–41
Name Plate And Decals Assembly.....	42–45

NOTICE

Specifications and part numbers are subject to change without notice.

EXPLANATION OF CODE IN REMARKS COLUMN

The following section explains the different symbols and remarks used in the Parts section of this manual. Use the help numbers found on the back page of the manual if there are any questions.

NOTICE

The contents and part numbers listed in the parts section are subject to change **without notice**. Multiquip does not guarantee the availability of the parts listed.

SAMPLE PARTS LIST

NO.	PART NO.	PART NAME	QTY.	REMARKS
1	12345	BOLT	1	INCLUDES ITEMS W/%
2%		WASHER, 1/4 IN.		NOT SOLD SEPARATELY
2%	12347	WASHER, 3/8 IN. ..1		MQ-45T ONLY
3	12348	HOSE	A/R	MAKE LOCALLY
4	12349	BEARING	1	S/N 2345B AND ABOVE

NO. Column

Unique Symbols — All items with same unique symbol (@, #, +, %, or >) in the number column belong to the same assembly or kit, which is indicated by a note in the “Remarks” column.

Duplicate Item Numbers — Duplicate numbers indicate multiple part numbers, which are in effect for the same general item, such as different size saw blade guards in use or a part that has been updated on newer versions of the same machine.

NOTICE

When ordering a part that has more than one item number listed, check the remarks column for help in determining the proper part to order.

PART NO. Column

Numbers Used — Part numbers can be indicated by a number, a blank entry, or TBD.

TBD (To Be Determined) is generally used to show a part that has not been assigned a formal part number at the time of publication.

A blank entry generally indicates that the item is not sold separately or is not sold by Multiquip. Other entries will be clarified in the “Remarks” Column.

QTY. Column

Numbers Used — Item quantity can be indicated by a number, a blank entry, or A/R.

A/R (As Required) is generally used for hoses or other parts that are sold in bulk and cut to length.

A blank entry generally indicates that the item is not sold separately. Other entries will be clarified in the “Remarks” Column.

REMARKS Column

Some of the most common notes found in the “Remarks” Column are listed below. Other additional notes needed to describe the item can also be shown.

Assembly/Kit — All items on the parts list with the same unique symbol will be included when this item is purchased.

Indicated by:

“INCLUDES ITEMS W/(unique symbol)”

Serial Number Break — Used to list an effective serial number range where a particular part is used.

Indicated by:

“S/N XXXXX AND BELOW”

“S/N XXXX AND ABOVE”

“S/N XXXX TO S/N XXX”

Specific Model Number Use — Indicates that the part is used only with the specific model number or model number variant listed. It can also be used to show a part is NOT used on a specific model or model number variant.

Indicated by:

“XXXXX ONLY”

“NOT USED ON XXXX”

“Make/Obtain Locally” — Indicates that the part can be purchased at any hardware shop or made out of available items. Examples include battery cables, shims, and certain washers and nuts.

“Not Sold Separately” — Indicates that an item cannot be purchased as a separate item and is either part of an assembly/kit that can be purchased, or is not available for sale through Multiquip.

SUGGESTED SPARE PARTS

DCA150SSJU4F2 PORTABLE GENERATOR WITH JOHN DEERE 6068HFG05 DIESEL ENGINE

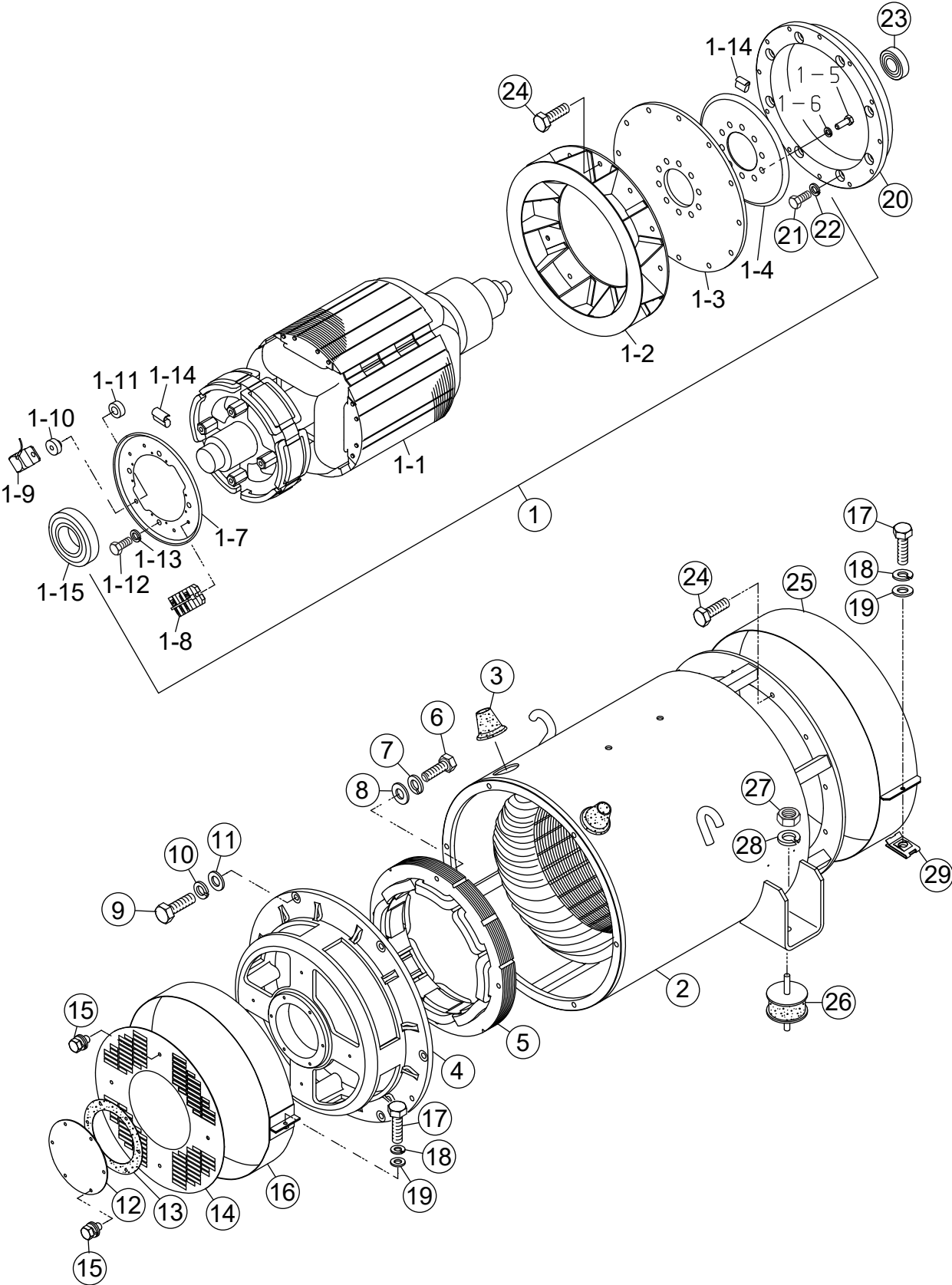
1 to 3 units

Qty.	P/N	Description
1	M3311500503	RADIATOR HOSE, UPPER
1	M3311500603	RADIATOR HOSE, LOWER
5	RE539279	CARTRIDGE, OIL FILTER
5	RE551507	FUEL FILTER, PRIMARY
5	RE560681	FUEL FILTER, SECONDARY
5	RE562696	SEAL KIT, FUEL FILTER
1	.0605505072	CAP, FUEL TANK
3	P537876	ELEMENT AIR CLEANER, PRIMARY
3	P537877	ELEMENT AIR CLEANER, SAFETY
1	R529382	FAN BELT
1	.0601820608	AUTOMATIC VOLTAGE REGULATOR
1	.0601808803	CIRCUIT BREAKER, 1P 20A
1	.0601808804	CIRCUIT BREAKER, 2P 50A
2	LY2DUS12VDC	RELAY, LY2-D DC12V
5	Y0605503092	LAMP ALARM, 18V RED
1	.0601840100	KNOB, 25 N
1	.0601806643	FUSE, 15A
1	Y0601806647	FUSE, 25A

NOTICE

Part numbers on this Suggested Spare Parts list may supersede/replace the part numbers shown in the following parts lists.

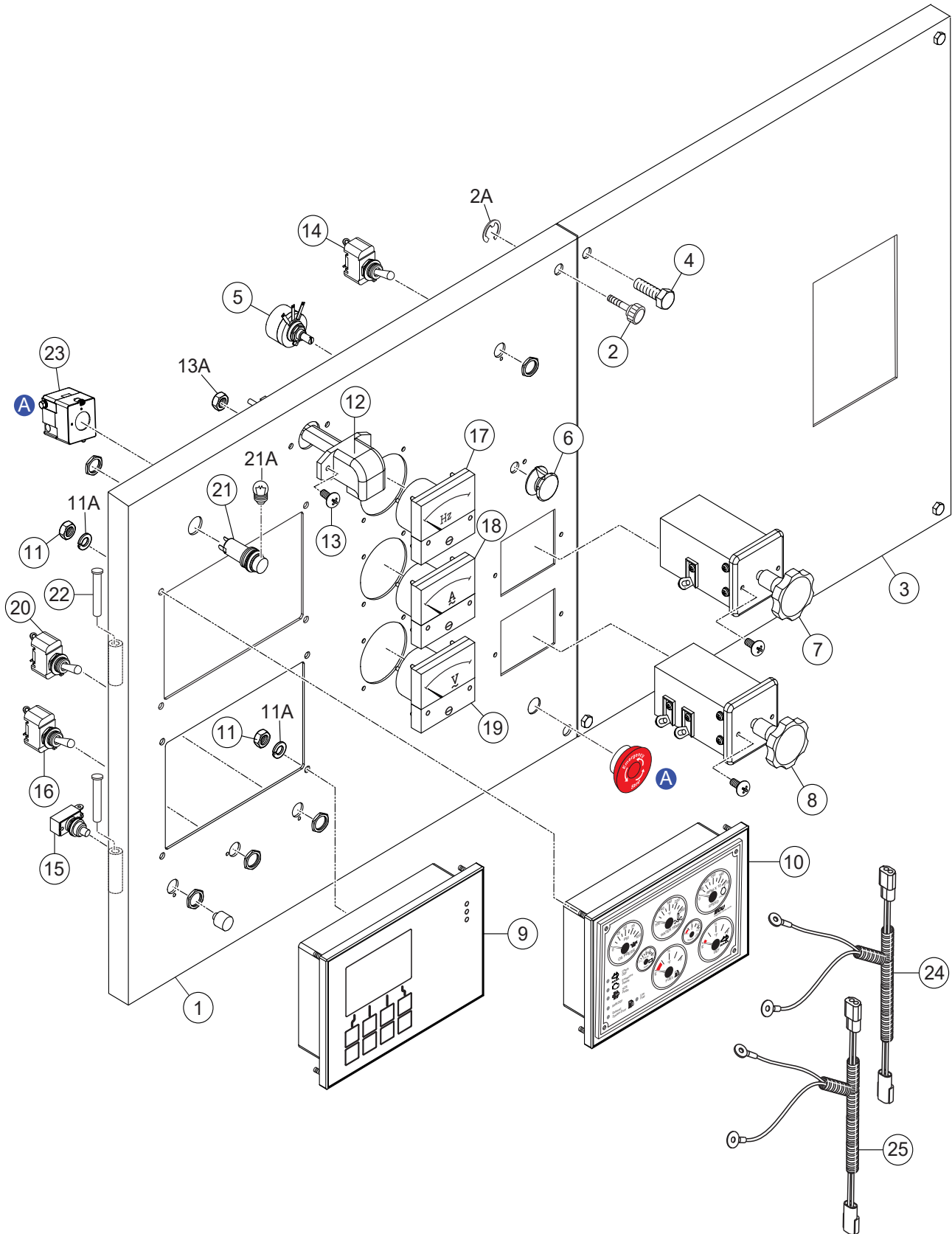
GENERATOR ASSY.



GENERATOR ASSY.

<u>NO.</u>	<u>PART NO.</u>	<u>PART NAME</u>	<u>QTY.</u>	<u>REMARKS</u>
1	C0110000122	ROTOR ASSEMBLY.....	1.....	REPLACES P/N C1110000122 INCLUDES ITEMS W/#
1-1#		FIELD ASSEMBLY	1	
1-2#	8131070013	FAN	1	
1-3#	8131611014	COUPLING DISK	8	
1-4#	8131015003	BALANCING PLATE	1.....	PURCHASE ITEM 1-14 AS A SET
1-5#	0012112035	HEX. HEAD BOLT	10	
1-6#	0042612000	WASHER, LOCK	10	
1-7#	8101026013	SET PLATE RECTIFIER.....	1.....	PURCHASE ITEM 1-14 AS A SET
1-8#	0601821349	RECTIFIER	2	
1-9#	Y0601822624	SURGE ABSORBER	1	
1-10#	8001020004	INSULATOR WASHER	1	
1-11#	8001020504	INSULATOR WASHER	1	
1-12#	012210020	HEX. HEAD BOLT	4.....	REPLACES P/N 0010110020
1-13#	0040010000	WASHER, LOCK	4	
1-14#	0601000209	BALANCING WEIGHT KIT	1	
1-15#	0071906312	BEARING	1	
2	C0130000603	STATOR ASSEMBLY	1	
3	0845041804	GROMMET	2	
4	8131315202	END BRACKET	1	
5	8101350013	FIELD ASSEMBLY, EXCITER	1	
6	0012110060	HEX. HEAD BOLT	4	
7	0042610000	WASHER, LOCK	4	
8	031110160	WASHER, FLAT	4.....	REPLACES P/N 0041210000
9	0010112035	HEX. HEAD BOLT	6	
10	0040012000	WASHER, LOCK	6	
11	031112230	WASHER, FLAT	6.....	REPLACES P/N 0041212000
12	8131310104	COVER, BEARING	1	
13	8131312204	GASKET, BEARING	1	
14	8131331003	COVER, END BRACKET	1	
15	0105050616	HEX. HEAD BOLT	10.....	REPLACES P/N 0017106012
16	8101333003	COVER, END BRACKET	1	
17	0010006030	HEX. HEAD BOLT	2.....	REPLACES P/N 0010106030
18	0040006000	WASHER, LOCK	2	
19	952404470	WASHER, FLAT	2.....	REPLACES P/N 0041206000
20	M3163400303	COUPLING RING	1	
21	0343204220	HEX. HEAD BOLT	8	
22	EM923344	WASHER, LOCK.....	8.....	REPLACES P/N 0043604000
23	0070506306	BEARING	1	
24	012010030	HEX. HEAD BOLT	24.....	REPLACES P/N 0012810030
25	C0131300004	COVER, FAN	1	
26	Y0605000463	RUBBER SUSPENSION	2	
27	0030016000	HEX. NUT	2	
28	0040016000	WASHER, LOCK	2	
29	020106050	NUT.....	1.....	REPLACES P/N 0600815000

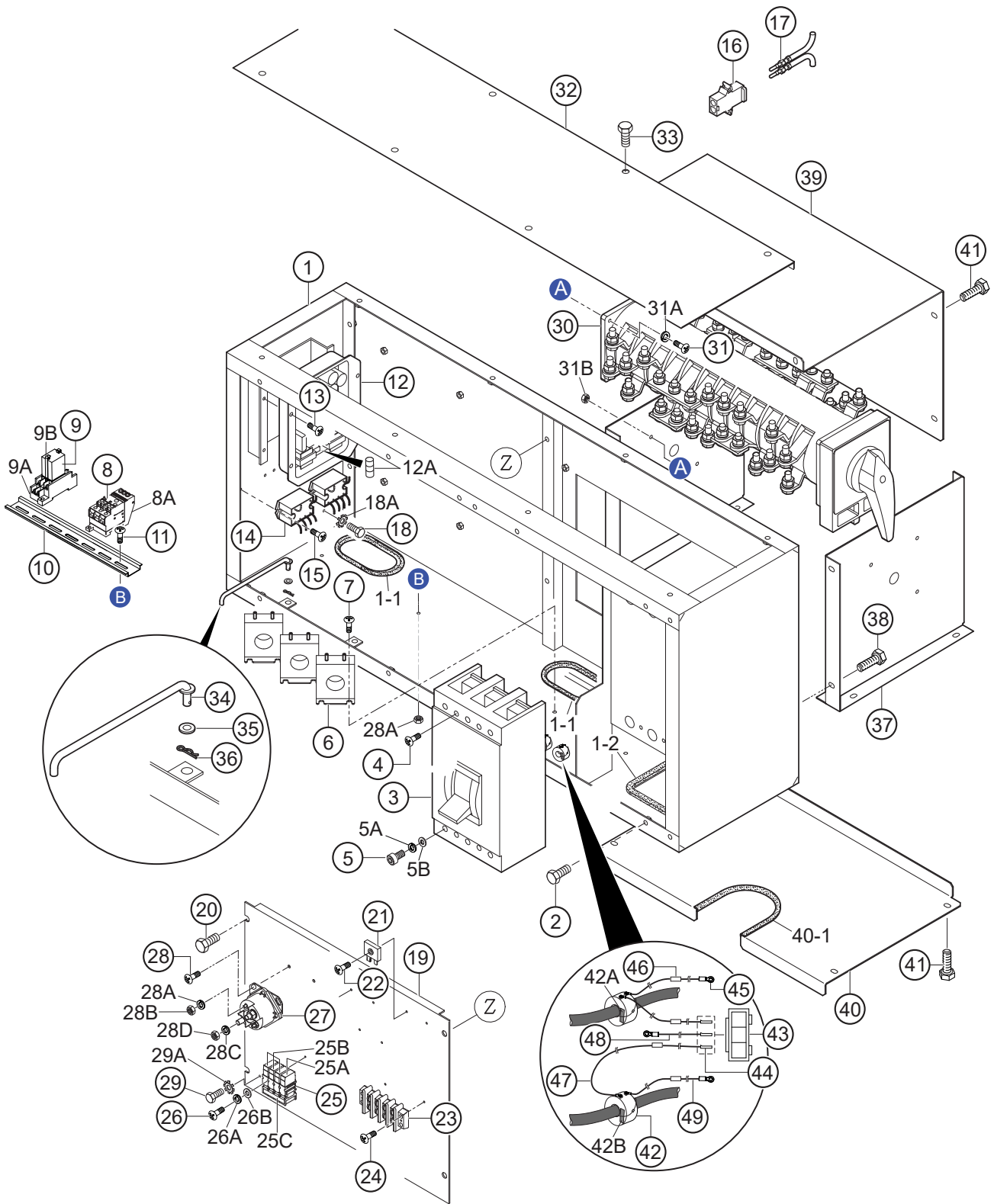
CONTROL PANEL ASSY.



CONTROL PANEL ASSY.

<u>NO.</u>	<u>PART NO.</u>	<u>PART NAME</u>	<u>QTY.</u>	<u>REMARKS</u>
1	M3224001103	CONTROL PANEL	1	
2	M9220100004	SET SCREW	2	
2A	0080200007	E-RING	2	
3	M3223001604	CONTROL PANEL	1	
4	0016908040	HEX. HEAD BOLT	4	
5	0601840073	VOLTAGE REGULATOR, 1K OHM	1	
6	0601840100	KNOB, 25N	1	REPLACES P/N 0601840121
7	0601801040	CHANGE-OVER SWITCH, AMMETER	1	
8	0601801041	CHANGE-OVER SWITCH, VOLTMETER	1	
9	Y0602203073	ECU CONTROLLER W/FIRMWARE	1	
10	Y0602120568	GAUGE UNIT ASSEMBLY	1	
11	Y0206707000	HEX. HEAD NUT	8	
11A	Y0044807000	WASHER, LOCK	8	
12	Y0601810170	PANEL LIGHT, 12V	1	
13	0027104020	MACHINE SCREW	2	
13A	OEMAA8	HEX. NUT	2	REPLACES P/N 0207004000
14	0601830710	PANEL LIGHT SWITCH	1	
15	0601831205	PUSH BUTTON SWITCH, RED	1	
16	82608	TOGGLE SWITCH	1	REPLACES P/N 0601831340
17	0601807641	FREQUENCY METER, 45~65 HZ	1	
18	0601808989	AC AMMETER, 0~300A/600A: 5A	1	
19	0601806859	AC VOLTMETER, 0~600V	1	
20	0601830710	ENGINE SPEED SWITCH	1	
21	Y0605503092	ALARM LAMP, 18V	1	
21A	0602103092	BULB.....	1	REPLACES PN 0601810277
22	0605011211	PIN	2	
23	0601831557	EMERGENCY STOP BUTTON	1	
24	M3247702604	WIRE HARNESS, GENERATOR	1	
25	M3358201602	WIRE HARNESS, ENGINE	1	

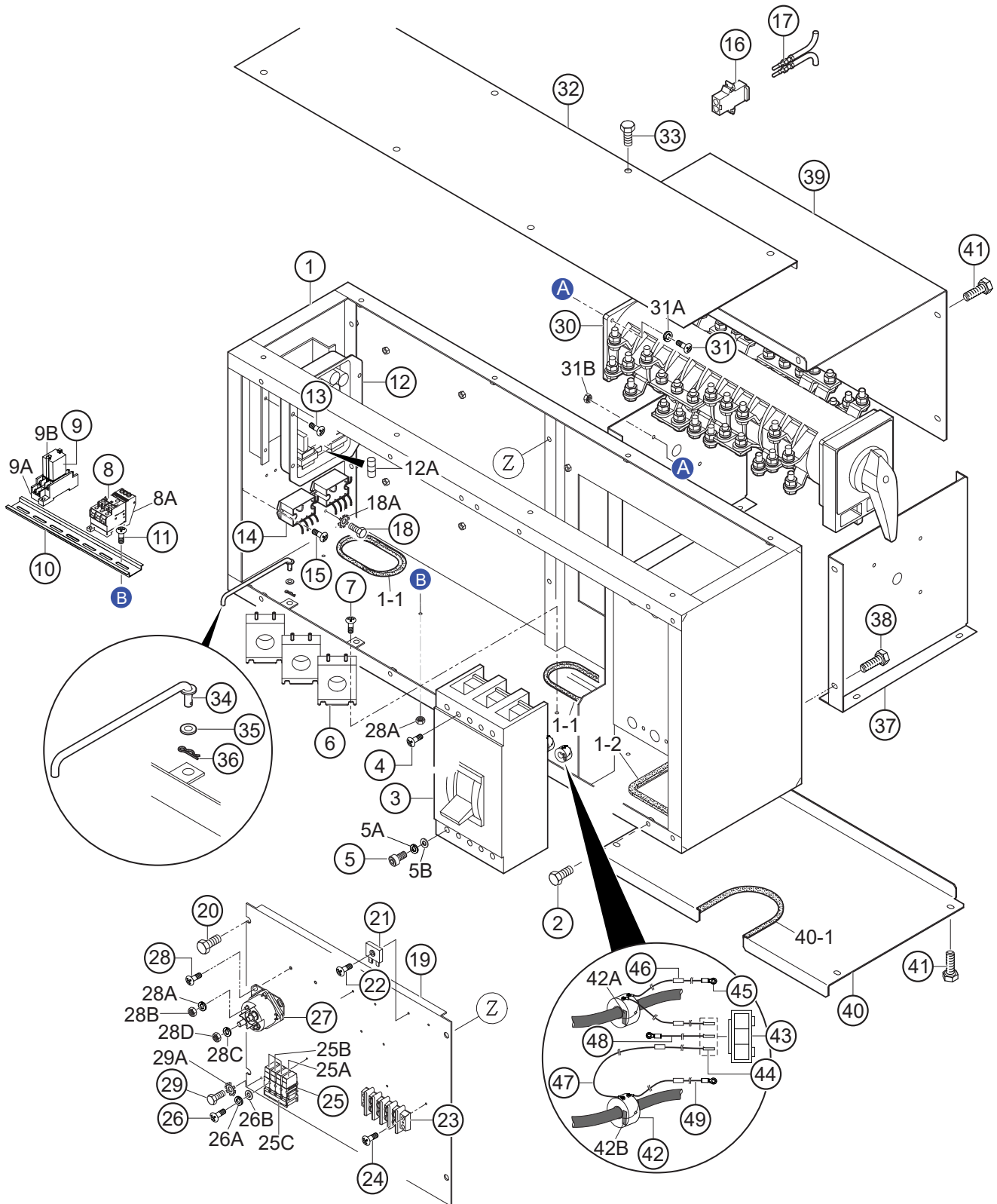
CONTROL BOX ASSY.



CONTROL BOX ASSY.

<u>NO.</u>	<u>PART NO.</u>	<u>PART NAME</u>	<u>QTY.</u>	<u>REMARKS</u>
1	M3214001102	CONTROL BOX	1	
1-1	Y0411100305	EDGE TRIM	2	
1-2	Y0411100500	EDGE TRIM	1	
2	011008020	HEX. HEAD BOLT	14	REPLACES P/N 0016908020
3	0601808821	CIRCUIT BREAKER	1	
4	0021006080	MACHINE SCREW	4	
5	0342604120	HEX. SOCKET HEAD CAP SCREW	6	
5A	EM923344	WASHER, LOCK.....	6	REPLACES P/N 0043604000
5B	Y0041210000	WASHER, FLAT	6	
6	Y0601809692	CURRENT TRANSFORMER	3	
7	011206020	MACHINE SCREW	6	REPLACES P/N 0027106020
8	Y0601820839	OVER CURRENT RELAY	1	
8A	Y0601820844	OVER CURRENT RELAY BASE	1	
9	LY2DUS12VDC	RELAY	1	REPLACES P/N 0601827656
9A	PTF08A	BASE, RELAY	1	REPLACES P/N 0601823109
9B	PYCA1	HOLDER, RELAY.....	2	REPLACES P/N 0601824400
10	Y0290000245	MOUNTING RAIL	1	
11	0027104015	MACHINE SCREW	2	
12	0601820608	AUTOMATIC VOLTAGE REGULATOR.....	1	INCLUDES ITEMS W/#
12A#	Y0601806683	FUSE, 250V 8A	1	
13	0027105015	MACHINE SCREW	4	
14	0601823863	RELAY UNIT	2	
15	0027104015	MACHINE SCREW	4	
16	0601812626	PLUG	2	
17	0601812711	PINS, MALE	4	
18	Y0016908015	HEX. HEAD BOLT	1	
18A	0040508000	TOOTHED WASHER	1	
19	M3261500304	SET PANEL	1	
20	011008020	HEX. HEAD BOLT	4	REPLACES P/N 0016908020
21	0601821370	RECTIFIER.....	1	REPLACES P/N 0601823240
22	0027104020	MACHINE SCREW	1	
23	0601815153	TERMINAL	1	
24	0027104020	MACHINE SCREW	2	
25	M3214601504	FUSE BOX ASSEMBLY	1	
25A	0601806643	FUSE, 15A	1	
25B	Y0601806647	FUSE, 25A	3	
25C	M9501400904	DECAL; FUSE HOLDER	1	
26	Y0021003035	MACHINE SCREW	2	
26A	0040003000	WASHER, LOCK	2	
26B	Y0042103000	WASHER, FLAT	2	
27	Y0602201458	STARTER RELAY	1	
28	011808015	MACHINE SCREW	2	REPLACES P/N 0027106015
28A	0044808000	WASHER, LOCK	2	
28B	Y0206508000	HEX. HEAD NUT	2	
28C	0043003000	WASHER, LOCK	2	
28D	Y0206803000	HEX. HEAD NUT	2	

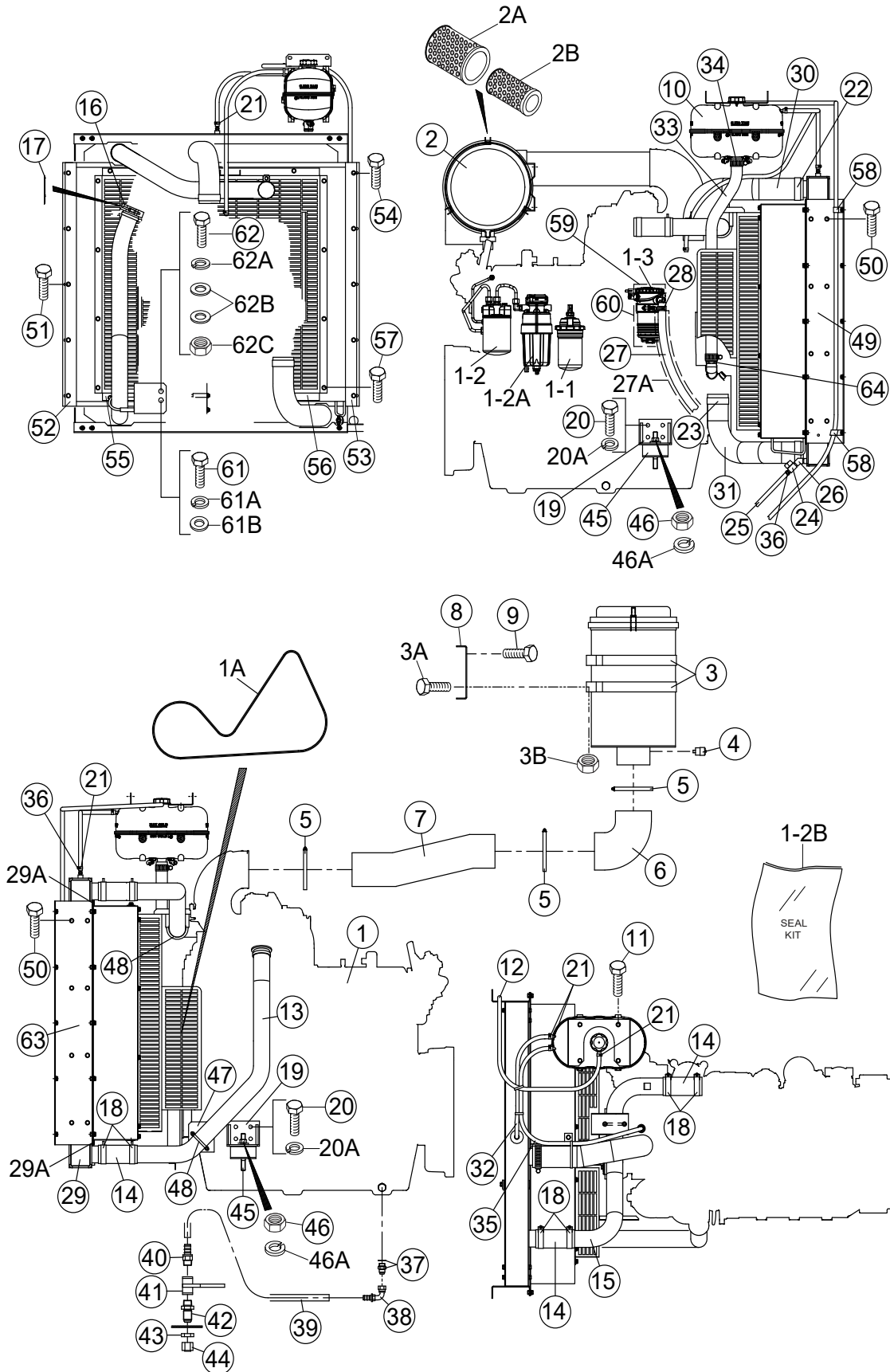
CONTROL BOX ASSY. (CONT'D.)



CONTROL BOX ASSY. (CONT'D.)

<u>NO.</u>	<u>PART NO.</u>	<u>PART NAME</u>	<u>QTY.</u>	<u>REMARK</u>
29	0016906015	HEX. HEAD BOLT	1	
29A	0040506000	TOOTHED WASHER	1	
30	M3270100304	SELECTOR SWITCH	1	
31	0021005020	MACHINE SCREW	4	
31A	0032005000	WASHER, LOCK.....	4.....	REPLACES P/N 0040005000
31B	0030005000	SELF-LOCKING NUT	4.....	REPLACES P/N 0207005000
32	M4213500104	UP PANEL	1	
33	011008020	HEX. HEAD BOLT	8.....	REPLACES P/N 0016908020
34	M4213600104	STOPPER	1	
35	952404470	WASHER, FLAT	1.....	REPLACES P/N 0041206000
36	505015300	SNAP PIN	1.....	REPLACES P/N 0605010502
37	M3213602904	SWITCH BRACKET	2	
38	0016906015	HEX. HEAD BOLT	4	
39	M3214600404	SWITCH COVER	1	
40	M3214600504	SWITCH COVER	1	
40-1	Y0317700265	WEATHER STRIP	1	
41	0016906015	HEX. HEAD BOLT	10	
42	Y0601872911	CURRENT TRANSFORMER	2	
42A	M9521001604	DECAL; CT4	1	
42B	M9521001704	DECAL; CT5	1	
43	Y0601813924	PLUG	1	
44	0601812711	PINS, MALE	3	
45	Y0601815587	ROUND TERMINAL	3	
46	Y0601815585	BUTT TERMINAL	4	
47	Y0450000150	HOOK UP WIRE	2	
48	Y0450300350	HOOK UP WIRE	1	
49	Y0450400300	HOOK UP WIRE	2	

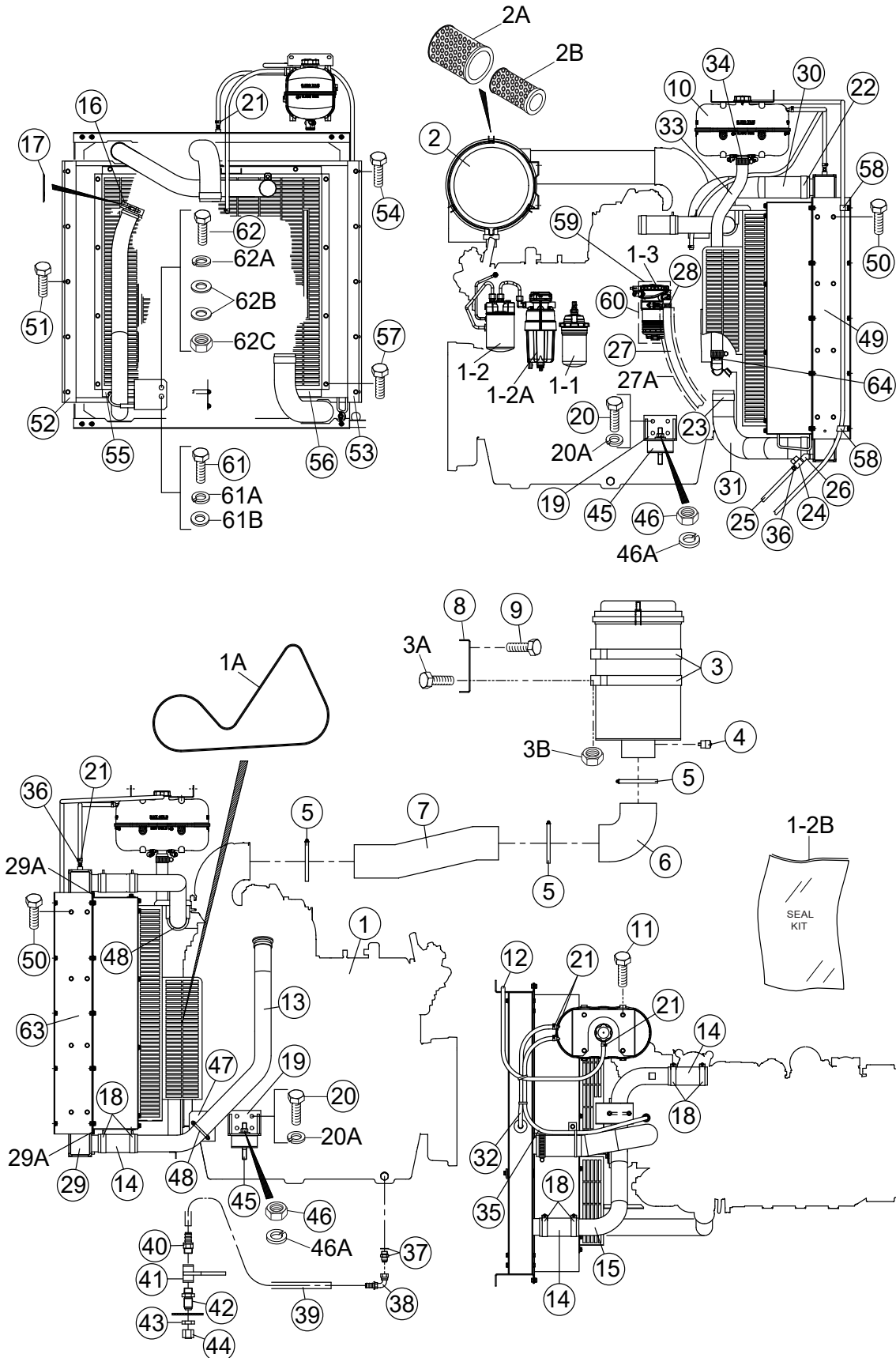
ENGINE AND RADIATOR ASSY.



ENGINE AND RADIATOR ASSY.

NO.	PART NO.	PART NAME	QTY.	REMARK
1	6068HFG05	ENGINE, JOHN DEERE	1.....	REPLACES P/N M3924200174
1A	R529382	FAN BELT	1.....	REPLACES P/N Y0602015209
1-1	RE539279	CARTRIDGE, OIL FILTER	1.....	REPLACES P/N Y0602041293
1-2	RE551507	FUEL FILTER ELEMENT, PRIMARY	1.....	REPLACES P/N Y0602042800
1-2A	RE560681	FUEL FILTER ELEMENT, SECONDARY	1.....	REPLACES P/N Y0602042801
1-2B	RE562696	SEAL KIT, FUEL FILTER	2.....	REPLACES P/N Y0602042603
1-3	RE540710	BLOWBY FILTER.....	1.....	REPLACES P/N 0602044230
2	0602046586	AIR CLEANER	1	
2A	P537876	ELEMENT AIR CLEANER, PRIMARY	1.....	REPLACES P/N 0602046682
2B	P537877	ELEMENT AIR CLEANER, SAFETY	1.....	REPLACES P/N 0602046683
3	P013722	AIR CLEANER BAND	2.....	REPLACES P/N 0602040558
3A	011208025	HEX. HEAD BOLT	4.....	REPLACES P/N 0016908025
3B	Y0207008000	SELF-LOCKING NUT	4	
4	0602040650	AIR CLEANER INDICATOR	1	
5	0605515202	HOSE BAND	3	
6	0602040365	90° ELBOW	1	
7	M3374000604	AIR CLEANER PIPE	1	
8	M3374200004	AIR CLEANER BRACKET	1	
9	0016910025	HEX. HEAD BOLT	2	
10	RE549081	SURGE TANK	1.....	REPLACES P/N Y0602010222
11	Y0016908015	HEX. HEAD BOLT	4	
12	Y0193602250	OVER FLOW HOSE	1	
13	M3311400103	CAC PIPE, HOT SIDE	1	
14	Y0602015610	CAC HOSE	3	
15	M3311400203	CAC PIPE, COLD SIDE	1	
16	RE292067	V-BAND CLAMP	1.....	REPLACES P/N Y0602325033
17	R529509	GASKET	1.....	REPLACES P/N Y0602320206
18	0605515215	T-BOLT CLAMP	6	
19	M3303200404	ENGINE FOOT	2	
20	0012312030	HEX. HEAD BOLT	6.....	REPLACES P/N 0013612030
20A	0040012000	WASHER, LOCK	6	
21	0605515189	HOSE BAND	5	
22	0605515236	T-BOLT CLAMP	2	
23	0605515208	T-BOLT CLAMP	2	
24	Y0605511394	MINI BALL VALVE	1	
25	0193600400	DRAIN HOSE	1	
26	Y0603307520	45° ELBOW	1	
27	Y0191601135	BLOWBY HOSE	1	
27A	Y0377701060	AEROFLEX TUBE	1	
28	0605515073	HOSE BAND	1	
29	Y0602012954	RADIATOR AND INTER COOLER	1	
29A	M3494117604	ACOUSTIC SHEET	2	

ENGINE AND RADIATOR ASSY. (CONT'D.)



ENGINE AND RADIATOR ASSY. (CONT'D.)

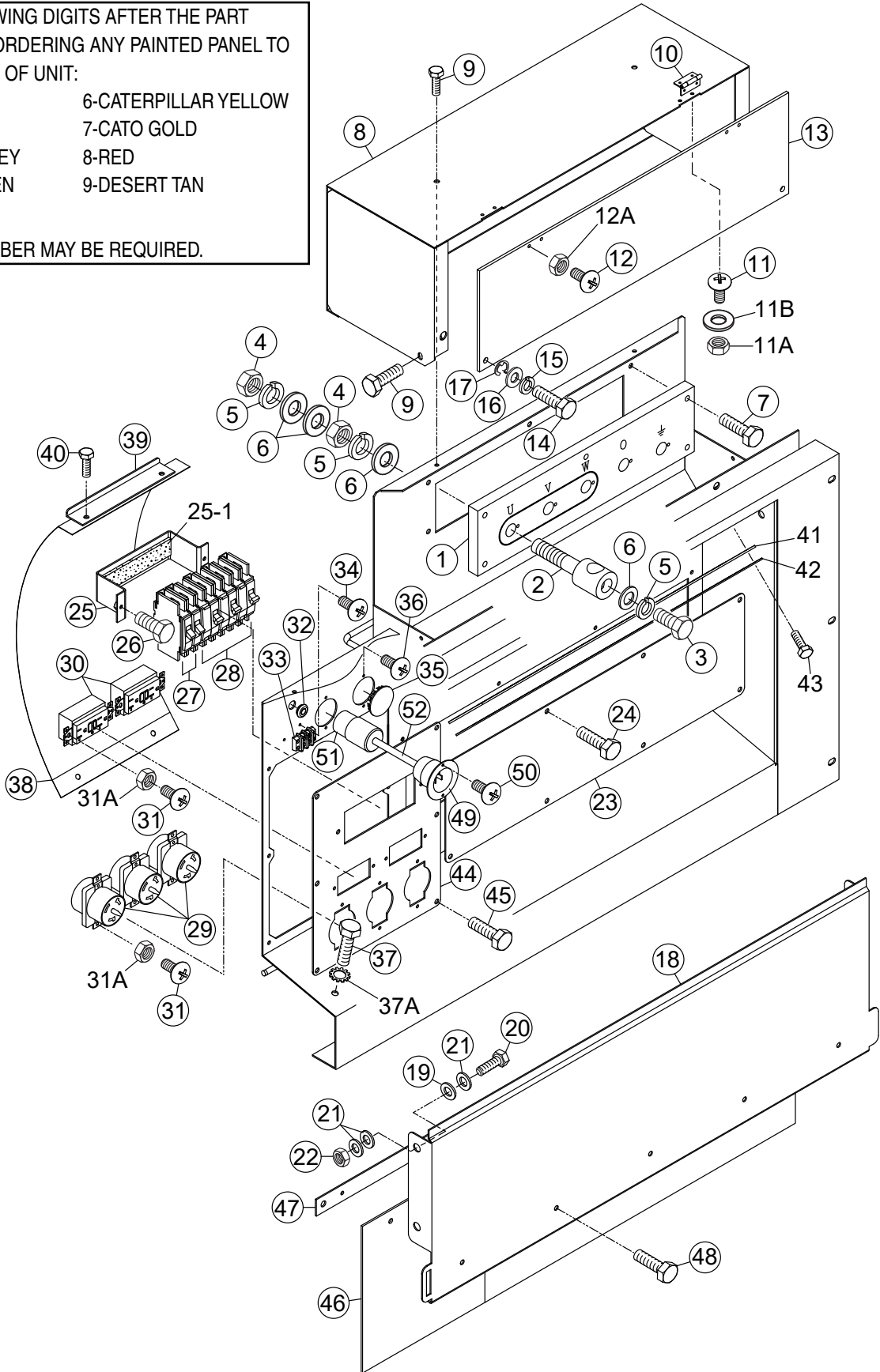
<u>NO.</u>	<u>PART NO.</u>	<u>PART NAME</u>	<u>QTY.</u>	<u>REMARK</u>
30	M3311500503	HOSE, RADIATOR UPPER	1	
31	M3311500603	HOSE, RADIATOR LOWER	1	
32	Y0199900930	VENT HOSE	1	
33	M5311501503	SURGE TANK HOSE	1	
34	0605515149	HOSE BAND	2	
35	0199901200	VENT HOSE	1	
36	Y0605512192	HOSE JOINT	2	
37	0602022580	ADAPTER W/SEAL	1	
38	0602022561	90° ELBOW	1	
39	Y0269201300	PUSH-LOCK HOSE	1	
40	0603306395	MALE PIPE	1	
41	0605511395	BALL VALVE	1	
42	0603306590	MALE BULKHEAD CONNECTOR	1	
43	0603300285	BULKHEAD ROCKNUT	1	
44	Y0602021070	CAP	1	
45	Y0605000462	RUBBER SUSPENSION	2	
46	0030016000	HEX. NUT	2	
46A	0040016000	WASHER, LOCK	2	
47	M3314300104	CAC PIPE BRACKET	1	
48	0602326063	U-BOLT	2	
49	M3311201204	RADIATOR BRACKET	1	
50	Y0016908015	HEX. HEAD BOLT	16	
51	011008020	HEX. HEAD BOLT	10.....	REPLACES P/N 0016908020
52	M3311302203	FAN SHROUD	1	
53	M3311302303	FAN SHROUD	1	
54	011008020	HEX. HEAD BOLT	12.....	REPLACES P/N 0016908020
55	M3311300813	FAN GUARD	1	
56	M3311302103	FAN GUARD	1	
57	011008020	HEX. HEAD BOLT	17.....	REPLACES P/N 0016908020
58	0602220911	CLAMP (L)	2	
59	Y0602044501	BLOWBY FILTER COVER, UPPER	1	
60	Y0602044503	BLOWBY FILTER COVER, LOWER	1	
61	Y0013616030	HEX. HEAD BOLT	1	
61A	0040016000	WASHER, LOCK	1	
61B	0041216000	WASHER, FLAT	1	
62	0012116060	HEX. HEAD BOLT	1	
62A	0040016000	WASHER, LOCK	1	
62B	0041216000	WASHER, FLAT	2	
62C	0030016000	HEX. NUT	1	
63	M3311201304	RADIATOR BRACKET	1	
64	Y0602010226	WATER PUMP JOINT	1	

OUTPUT TERMINAL ASSY.

ADD THE FOLLOWING DIGITS AFTER THE PART NUMBER WHEN ORDERING ANY PAINTED PANEL TO INDICATE COLOR OF UNIT:

1-ORANGE	6-CATERPILLAR YELLOW
2-WHITE	7-CATO GOLD
3-SPECTRUM GREY	8-RED
4-SUNBELT GREEN	9-DESERT TAN
5-BLACK	

THE SERIAL NUMBER MAY BE REQUIRED.



OUTPUT TERMINAL ASSY.

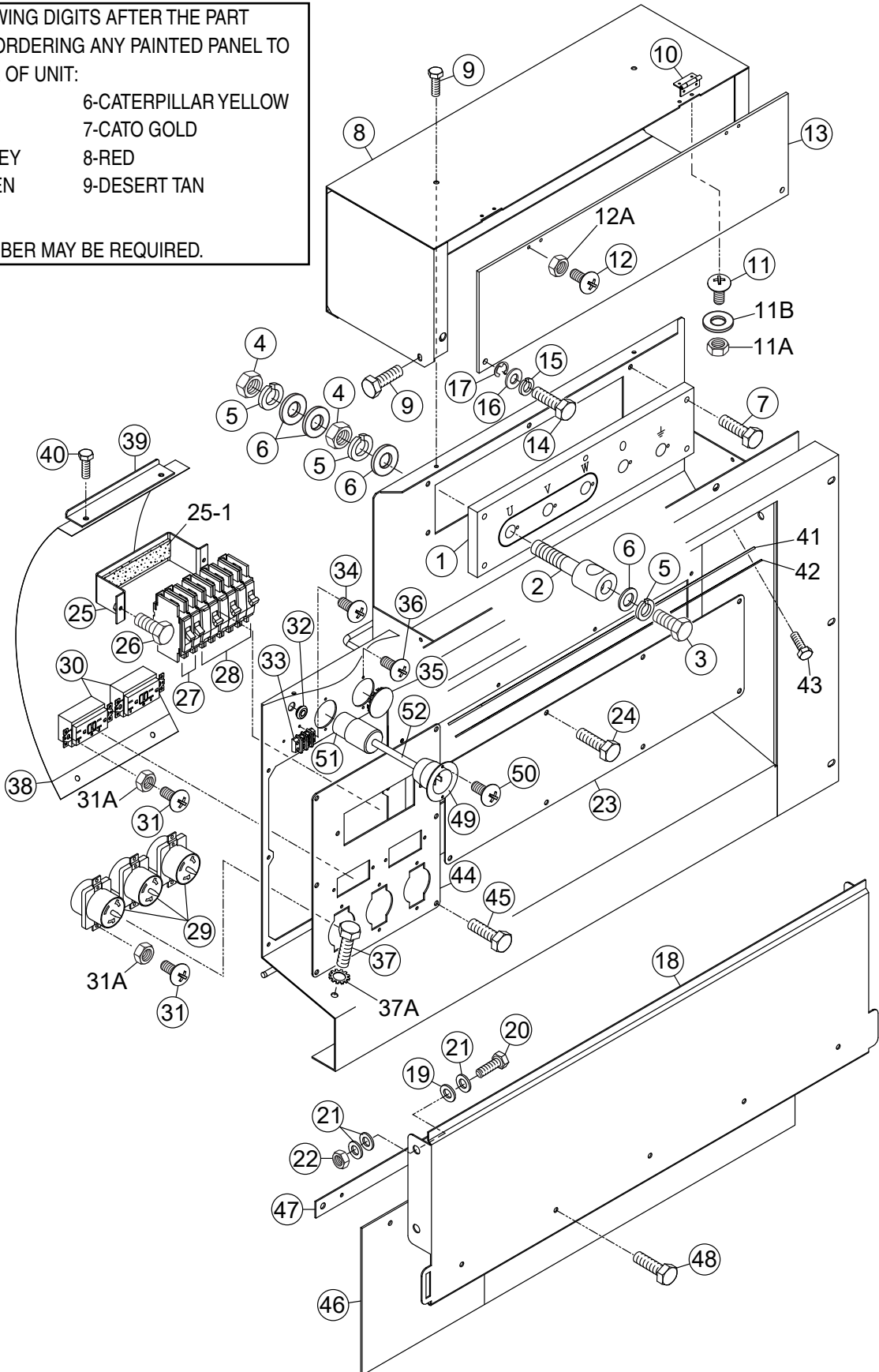
<u>NO.</u>	<u>PART NO.</u>	<u>PART NAME</u>	<u>QTY.</u>	<u>REMARKS</u>
1	M3230700003	TERMINAL BOARD	1	
2	M9220100304	OUTPUT TERMINAL BOLT	5	
3	0801830804	TIE BOLT	5	REPLACES P/N M9220100404
4	0039316000	HEX. NUT	10	
5	0040016000	WASHER, LOCK	15	
6	0401450160	WASHER, FLAT	20	REPLACES P/N 0041416000
7	0012108035	HEX. HEAD BOLT	5	REPLACES P/N 0016908035
8	M4236100403	TERMINAL COVER	1	
9	0016906015	HEX. HEAD BOLT	4	
10	0605010040	HINGE	2	
11	0027103010	MACHINE SCREW	4	
11A	0207003000	HEX. NUT	4	REPLACES P/N 0030003000
11B	0041203000	WASHER, FLAT	4	
12	0027103015	MACHINE SCREW	4	
12A	0207003000	HEX. NUT	4	REPLACES P/N 0030003000
13	M4236100504	OUTPUT WINDOW	1	
14	M9220100804	SET SCREW	2	
15	0040006000	WASHER, LOCK	2	
16	952404470	WASHER, FLAT	2	REPLACES P/N 0041206000
17	0080200005	E-RING	2	
18	M3237100503	TERMINAL COVER	1	
19	0605050060	CONICAL LOCK WASHER	2	
20	Y0013612045	HEX. HEAD BOLT	2	
21	031112230	WASHER, FLAT	6	REPLACES P/N 0041212000
22	0030012000	HEX. NUT	2	
23	M4236400204	COVER	1	
24	0016906015	HEX. HEAD BOLT	8	
25	M4260600104	BRACKET, CIRCUIT BREAKER	1	
25-1	0222100150	RUBBER CUSHION	1	
26	Y0016906020	HEX. HEAD BOLT	2	
27	0601808803	CIRCUIT BREAKER, 1P 20A	2	
28	0601808804	CIRCUIT BREAKER, 2P 50A	3	
29	Y0601814034	RECEPTACLE, 50A	3	REPLACES P/N Y0601814014
30	Y0601814034	RECEPTACLE, 20A	2	REPLACES P/N 0601814024
31	0027104015	MACHINE SCREW	10	
31A	OEMAA8	SELF-LOCKING NUT	10	REPLACES P/N 0207004000
32	0601850275	GROMMET	1	
33	0601815194	TERMINAL BLOCK	1	
34	0027104015	MACHINE SCREW	2	
35	0603306775	BLIND PLUG	1	
36	0027104015	MACHINE SCREW	2	
37	0019208020	HEX. HEAD BOLT	1	
37A	0040508000	TOOTHED WASHER	1	
38	M3237100404	INSULATING COVER	1	
39	M4236400304	BRACKET	1	
40	0016906015	HEX. HEAD BOLT	2	

OUTPUT TERMINAL ASSY. (CONT'D.)

ADD THE FOLLOWING DIGITS AFTER THE PART NUMBER WHEN ORDERING ANY PAINTED PANEL TO INDICATE COLOR OF UNIT:

- | | |
|-----------------|----------------------|
| 1-ORANGE | 6-CATERPILLAR YELLOW |
| 2-WHITE | 7-CATO GOLD |
| 3-SPECTRUM GREY | 8-RED |
| 4-SUNBELT GREEN | 9-DESERT TAN |
| 5-BLACK | |

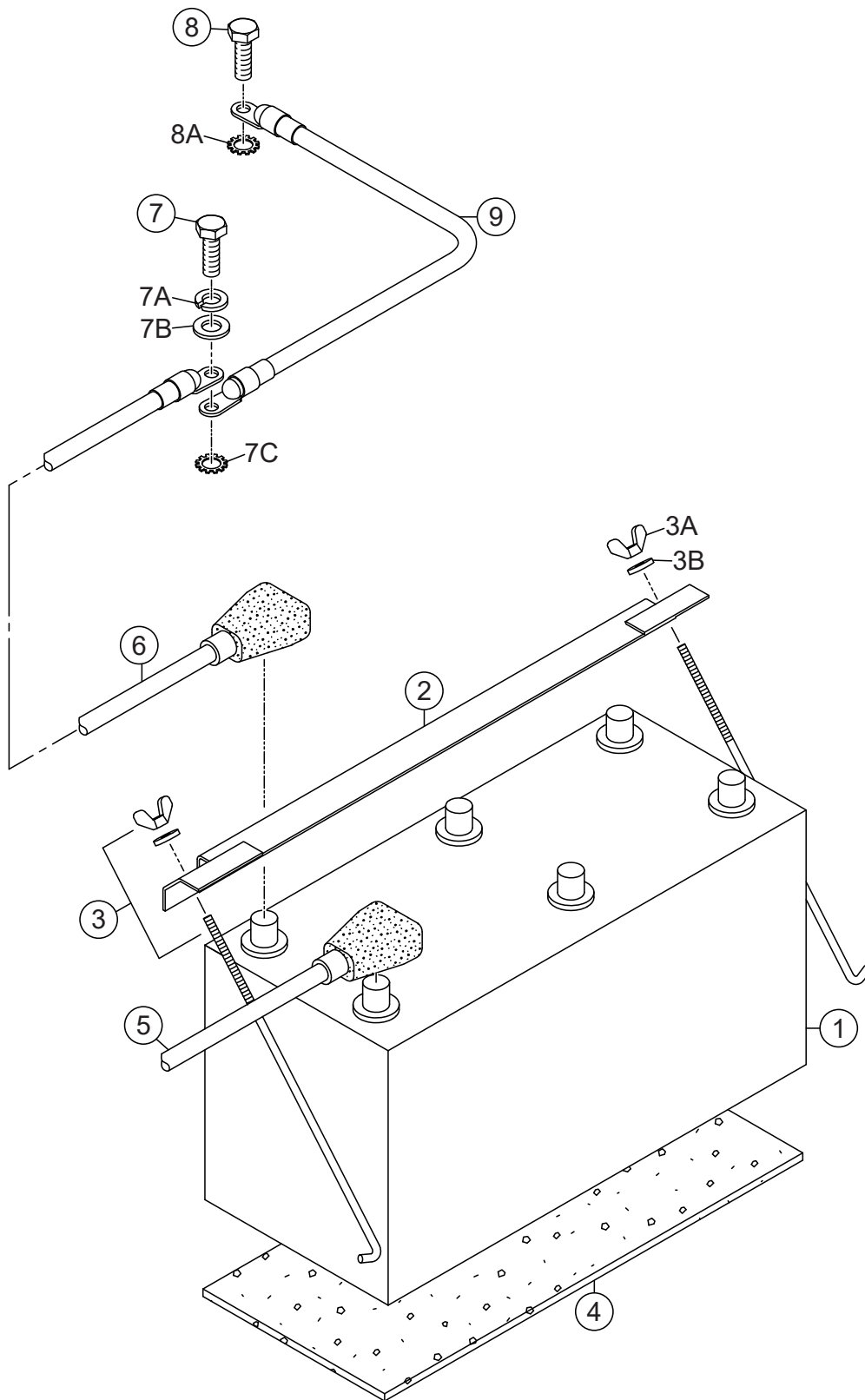
THE SERIAL NUMBER MAY BE REQUIRED.



OUTPUT TERMINAL ASSY. (CONT'D.)

<u>NO.</u>	<u>PART NO.</u>	<u>PART NAME</u>	<u>QTY.</u>	<u>REMARKS</u>
41	M4236400004	CABLE OUTLET COVER	1	
42	M4236400104	SUPPORTER, CABLE OUTLET COVER	1	
43	Y0016906020	HEX. HEAD BOLT	8	
44	M3454200904	RECEPTACLE BOARD, WHITE	1	
45	0016906015	HEX. HEAD BOLT	6	
46	M3454700404	RUBBER SHEET	1	
47	M3454700504	RUBBER SHEET HOLDER	1	
48	011206020	HEX. HEAD BOLT	5.....	REPLACES P/N 0019206020
49	Y0601811177	FLANGE	1	
50	0027104015	MACHINE SCREW	2	
51	0601812527	CONNECTOR	1	
52	M1358200804	WIRE HARNESS, WATER HEATER	1	

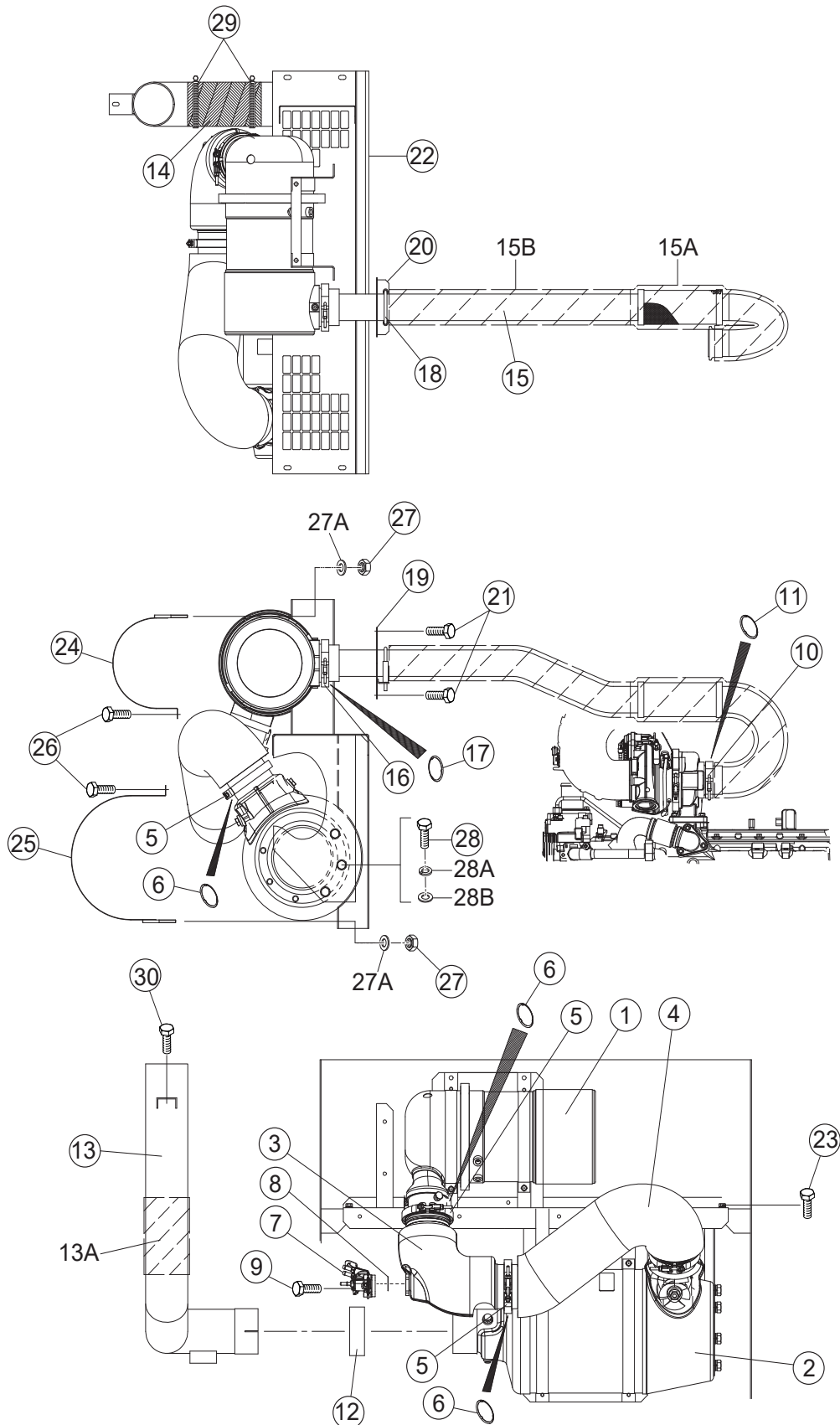
BATTERY ASSY.



BATTERY ASSY.

<u>NO.</u>	<u>PART NO.</u>	<u>PART NAME</u>	<u>QTY.</u>	<u>REMARKS</u>
1	0602220198	BATTERY, 904D	1	
2	M9103000504	BATTERY BAND	1	
3	0602220921	BATTERY BOLT SET, 1/4-L12	2	
3A		WING NUT	2	
3B		PLASTIC WASHER	2	
4	M9310500404	BATTERY SHEET	1	
5	M5347900504	BATTERY CABLE	1	
6	M5347900604	BATTERY CABLE	1	
7	Y0013616030	HEX. HEAD BOLT	1	
7A	0040016000	WASHER, LOCK	1	
7B	0041216000	WASHER, FLAT	1	
7C	0040516000	TOOTHED WASHER	1	
8	0016910025	HEX. HEAD BOLT	1	
8A	0040510000	TOOTHED WASHER	1	
9		EARTH CABLE	1	

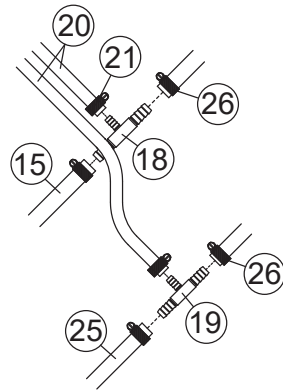
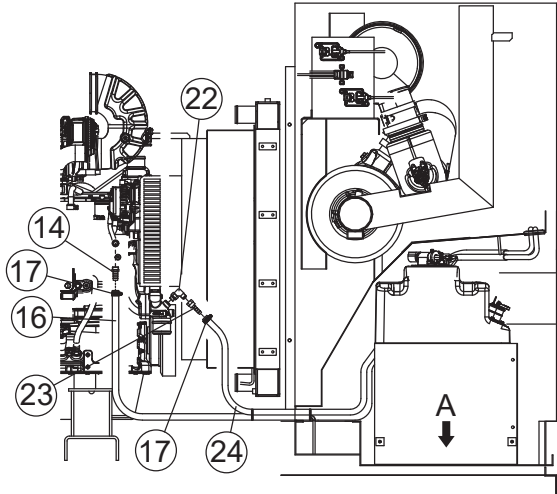
MUFFLER ASSY.



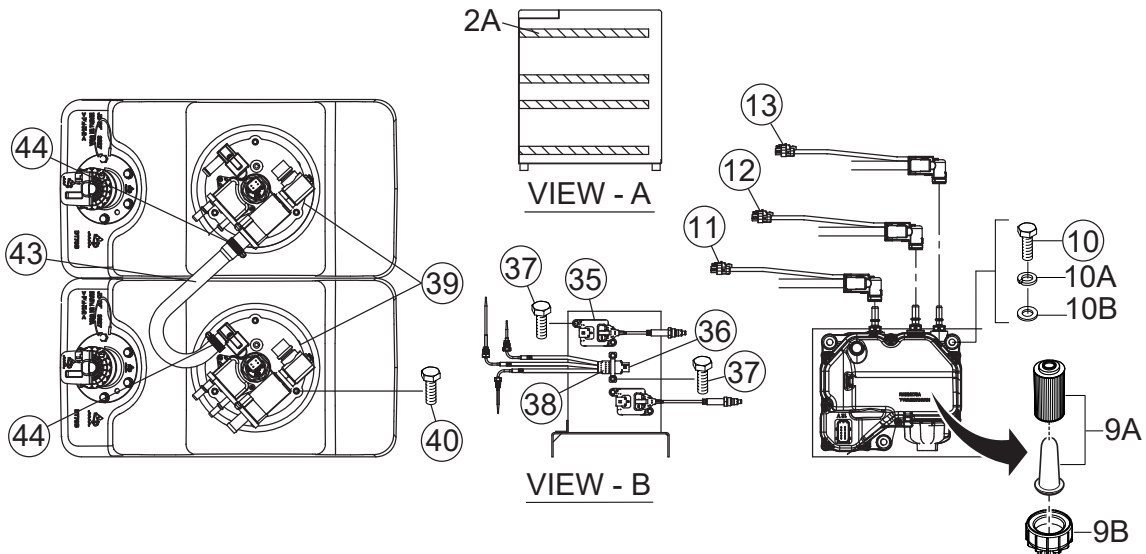
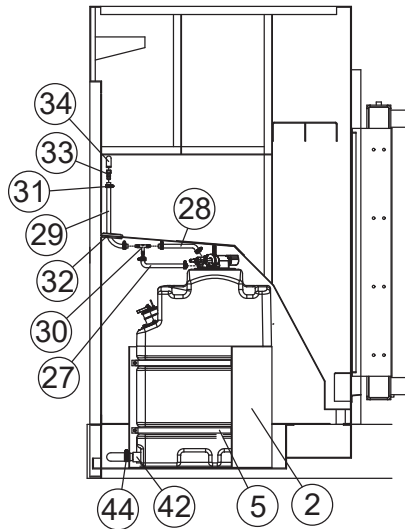
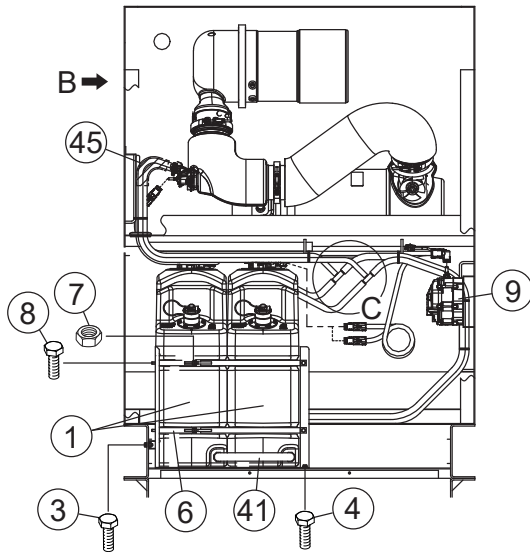
MUFFLER ASSY.

<u>NO.</u>	<u>PART NO.</u>	<u>PART NAME</u>	<u>QTY.</u>	<u>REMARKS</u>
1	DZ100501	DIESEL OXIDATION CATALYST	1.....	REPLACES P/N Y0602330106
2	DZ100467	SCR CATALYST	1.....	REPLACES P/N Y0602330304
3	RE565074	DECOMPOSITION TUBE	1.....	REPLACES P/N Y0602330403
4	RE559456	DECOMPOSITION EXTENSION TUBE	1.....	REPLACES P/N Y0602330404
5	RE540348	V-BAND CLAMP	3.....	REPLACES P/N Y0602325034
6	R529640	GASKET	3.....	REPLACES P/N Y0602320205
7	RE560468	DEF INJECTOR.....	1.....	REPLACES P/N Y0602330405
8	RE556879	GASKET	1.....	REPLACES P/N Y0602330406
9	R537624	HEX. HEAD BOLT.....	3.....	REPLACES P/N Y0602330407
10	RE289839	V-BAND CLAMP	1.....	REPLACES P/N Y0602325037
11	R528112	SEALING RING	1.....	REPLACES P/N Y0602320201
12	Y0602325026	PIPE BAND	1	
13	M3334100103	TAIL PIPE	1	
13A	Y0602311172	EXHAUST INSULATING MAT	1	
14	Y0400005080	EXHAUST INSULATING WRAP	1	
15	M3334001203	EXHAUST PIPE	1	
15A	Y0602311170	EXHAUST INSULATING MAT	1	
15B	Y0602311171	EXHAUST INSULATING MAT	1	
16	RE298757	V-BAND CLAMP	1.....	REPLACES P/N Y0602325036
17	R300529	SEALING RING	1.....	REPLACES P/N Y0602320203
18	0602326060	U-BOLT	1	
19	M3334300604	COVER, EXHAUST PIPE	1	
20	M3334300503	BRACKET, EXHAUST PIPE	1	
21	011008020	HEX. HEAD BOLT.....	4.....	REPLACES P/N 0016908020
22	M3331200302	BRACKET, DOC AND SCR	1	
23	0016910025	HEX. HEAD BOLT	4	
24	M3331400604	DPF BAND	2	
25	M3331400704	SCR BAND	2	
26	011008020	HEX. HEAD BOLT.....	4.....	REPLACES P/N 0016908020
27	020108060	U-NUT.....	4.....	REPLACES P/N 0037908000
27A	0401450080	WASHER, FLAT	4.....	REPLACES P/N 0041208000
28	Y0013616030	HEX. HEAD BOLT	4	
28A	0040016000	WASHER, LOCK	4	
28B	0041216000	WASHER, FLAT	4	
29	0605515202	HOSE BAND	2	
30	011008020	HEX. HEAD BOLT.....	1.....	REPLACES P/N 0016908020

PLUMBING ASSY.



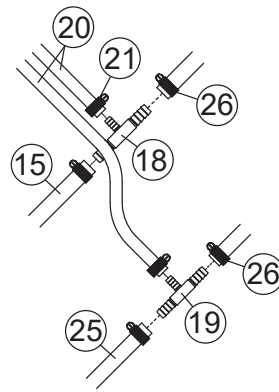
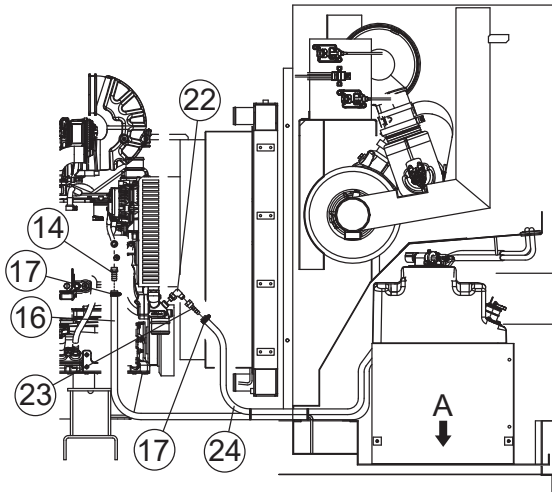
DETAIL - C



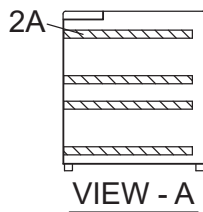
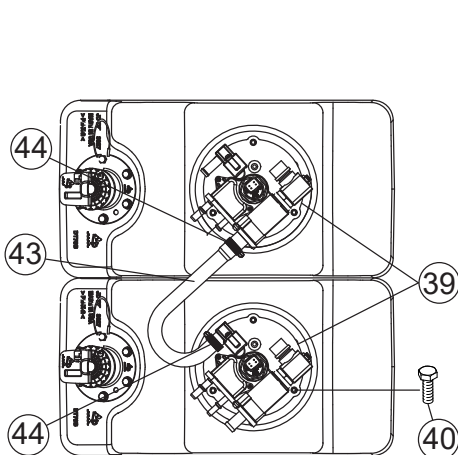
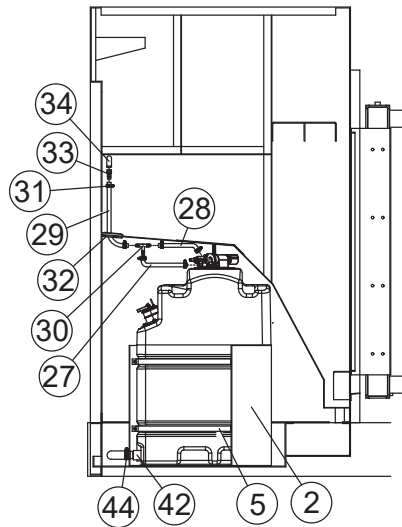
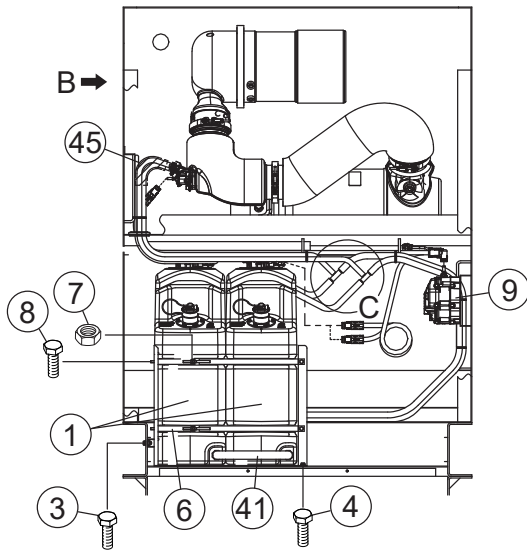
PLUMBING ASSY.

<u>NO.</u>	<u>PART NO.</u>	<u>PART NAME</u>	<u>QTY.</u>	<u>REMARKS</u>
1	DZ103067	DEF TANK.....	2.....	REPLACES P/N Y0605500072
2	M3331402703	BRACKET, DEF TANK	1	
2A	Y0222100480	SEAL RUBBER	4	
3	011208025	HEX. HEAD BOLT.....	2.....	REPLACES P/N 0016908025
4	011008020	HEX. HEAD BOLT.....	2.....	REPLACES P/N 0016908020
5	M3331402804	DEF TANK BAND	2	
6	M5331402004	DEF TANK BAND	2	
7	Y0207008000	SELF-LOCKING NUT	4	
8	011008020	HEX. HEAD BOLT.....	4.....	REPLACES P/N 0016908020
9	RE552175	DEF SUPPLY MODULE.....	1.....	REPLACES P/N Y0602330400
10	Y0013608090	HEX. HEAD BOLT	3	
10A	0040008000	WASHER, LOCK	3	
10B	0401450080	WASHER, FLAT.....	3.....	REPLACES P/N 0041208000
11	RE560893	DEF SUCTION LINE.....	1.....	REPLACES P/N Y0602330428
12	RE560877	DEF BACKFLOW LINE.....	1.....	REPLACES P/N Y0602330429
13	RE560897	DEF PRESSURE LINE.....	1.....	REPLACES P/N Y0602330423
14	AT377287	HOSE BARB.....	1.....	REPLACES P/N Y0602022975
15	Y0269300340	COOLANT HOSE	1	
16	Y0269303200	COOLANT HOSE	1	
17	0605515198	HOSE BAND	2	
18	T317541	T-FITTING, BLACK W/ORIFICE.....	1.....	REPLACES P/N Y0602022976
19	T296925	T-FITTING, WHITE.....	1.....	REPLACES P/N Y0602022977
20	Y0379602350	COOLANT HOSE	2	
21	Y0605515340	HOSE BAND	4	
22	Y0602022559	90° ELBOW	1	
23	0602022980	HOSE JOINT	1	
24	Y0379703250	COOLANT HOSE	1	
25	Y0379700520	COOLANT HOSE	1	
26	Y0605515341	HOSE BAND	6	
27	0191300250	VENT HOSE	1	
28	0191300600	VENT HOSE	1	
29	Y0191300900	VENT HOSE	1	
30	Y0603306677	T-FITTING	1	
31	Y0605515340	HOSE BAND	6	
32	0601851756	GROMMET	1	
33	H216170	DEF TANK VENT FITTING.....	1.....	REPLACES P/N Y0602330402
34	H216169	DEF TANK VENT FILTER.....	1.....	REPLACES P/N Y0602330401
35	RE575061	NOX SENSOR.....	2.....	REPLACES P/N Y0602330427
36	RE566739	SCR TEMPERATURE SENSOR.....	1.....	REPLACES P/N Y0602330426
37	0016906015	HEX. HEAD BOLT	6	
38	RE542006	STRAP, TEMPERATURE SENSOR.....	1.....	REPLACES P/N Y0602330205
39	DZ103804	DEF HEADER.....	2.....	REPLACES P/N Y0602330422
40	19M10399	HEX. HEAD BOLT.....	6.....	REPLACES P/N Y0602330420

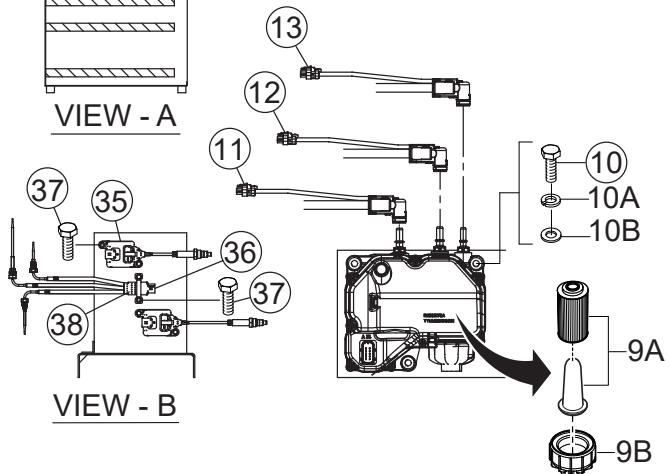
PLUMBING ASSY. (CONT'D.)



DETAIL - C



VIEW - A

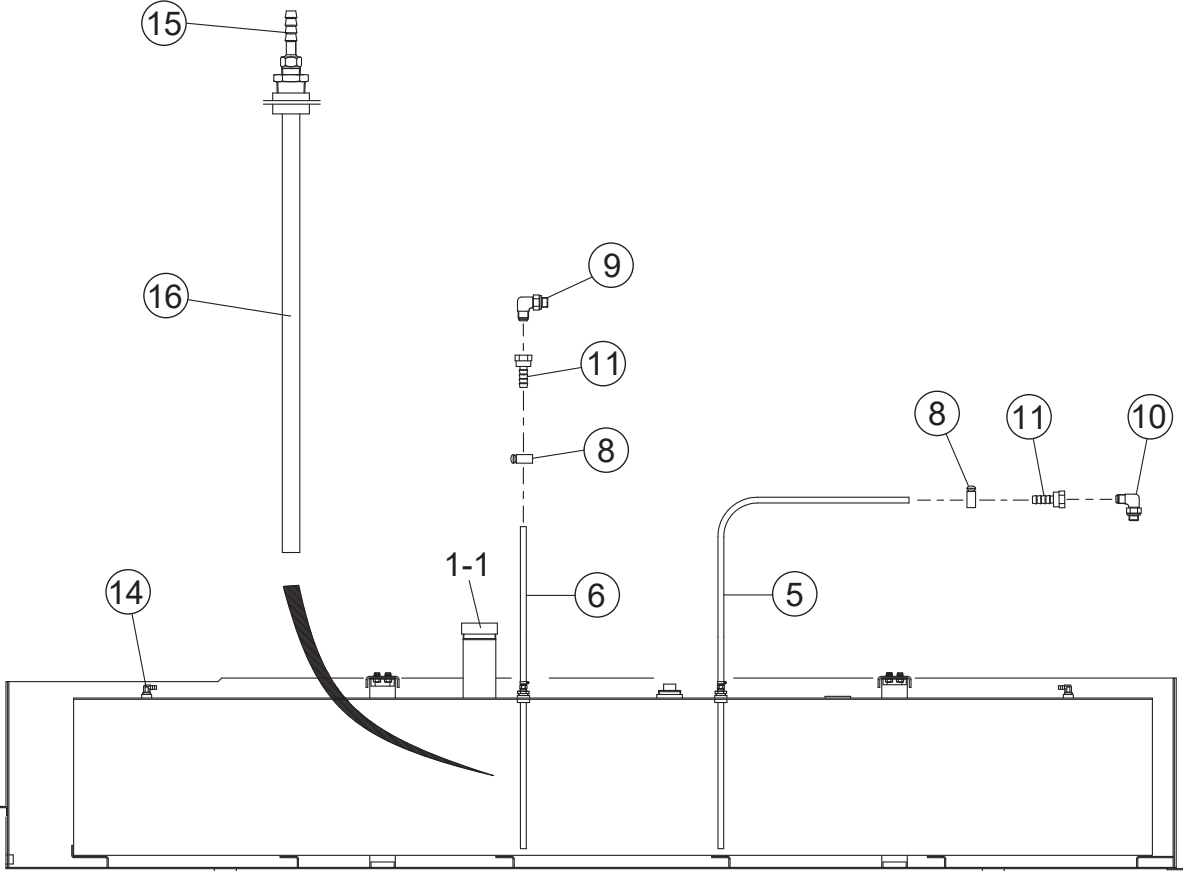
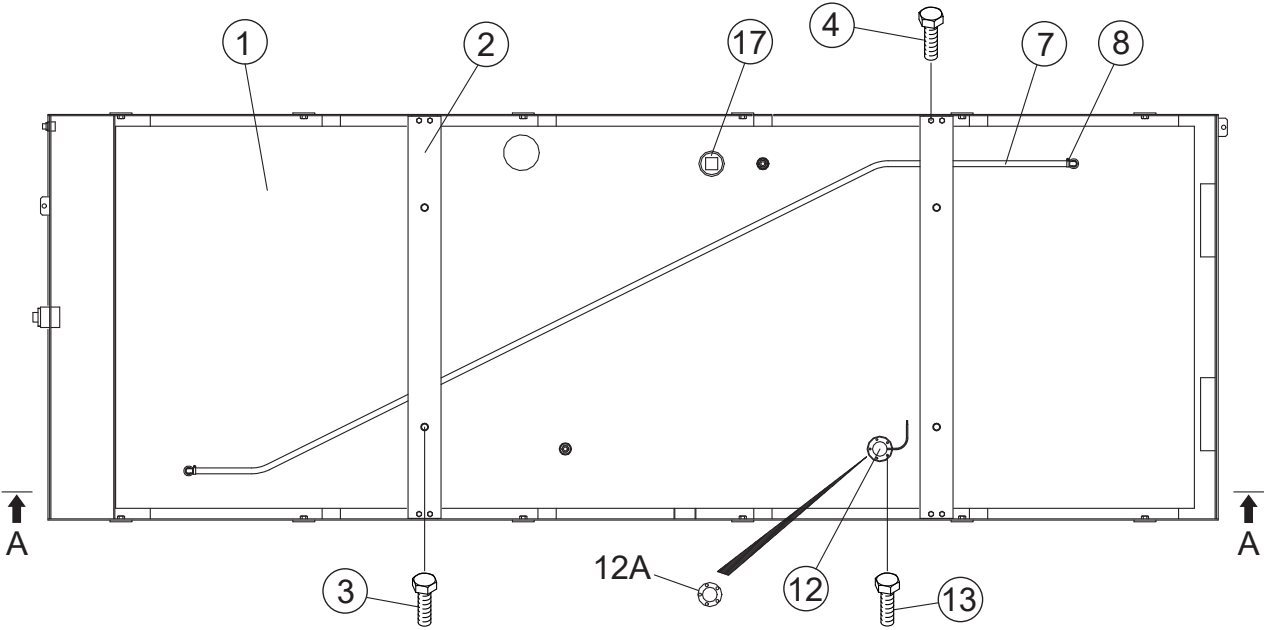


VIEW - B

PLUMBING ASSY. (CONT'D.)

<u>NO.</u>	<u>PART NO.</u>	<u>PART NAME</u>	<u>QTY.</u>	<u>REMARKS</u>
41	M5331401804	DEF TANK HOSE	1	
42	Y0602022528	HOSE ADAPTER	2	
43	M3331402604	DEF TANK HOSE	1	
44	0605515198	HOSE BAND	4	
45	Y0602311190	HARNESS INSULATING SLEEVE	2	

FUEL TANK ASSY.

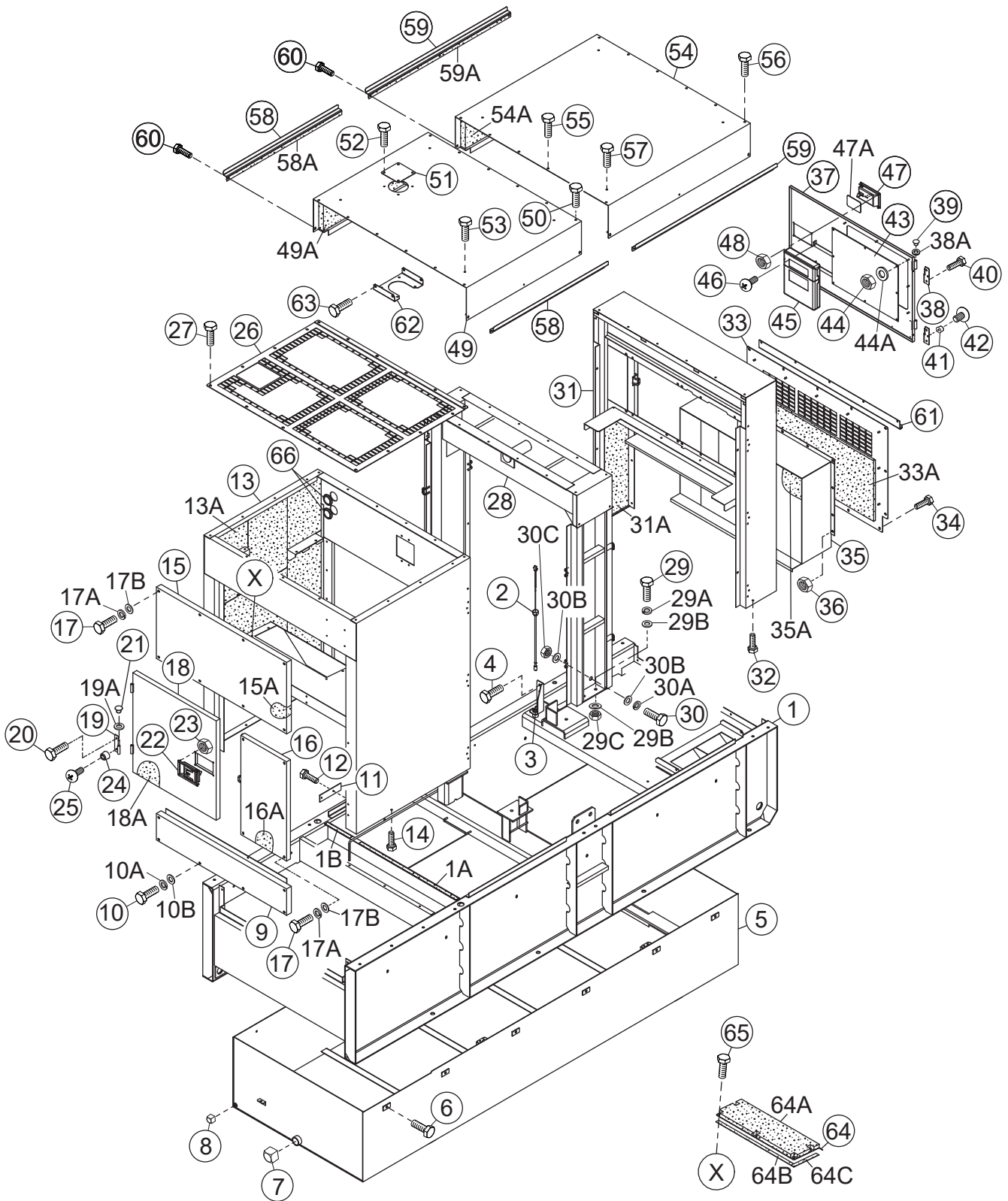


SECTION A - A

FUEL TANK ASSY.

<u>NO.</u>	<u>PART NO.</u>	<u>PART NAME</u>	<u>QTY.</u>	<u>REMARKS</u>
1	M3364000513	FUEL TANK	1	
1-1	0605505072	CAP, FUEL TANK	1	
2	M3364300704	BRACKET, FUEL TANK	2	
3	0016910025	HEX. HEAD BOLT	4	
4	011008020	HEX. HEAD BOLT	8.....	REPLACES P/N 0016908020
5	Y0191300980	SUCTION HOSE	1	
6	Y0191300980	RETURN HOSE	1	
7	0191302700	VENT HOSE	1	
8	Y0605515340	HOSE BAND	6	
9	Y0602022577	90° ELBOW	1	
10	Y0602022578	90° ELBOW	1	
11	Y0602022985	HOSE JOINT	2	
12	Y0605501049	FUEL SENDER UNIT	1	
12A	Y0605516090	GASKET	1	
13	Y0605053021	HEX. HEAD BOLT	5	
14	0602022791	HOSE JOINT, 1/2	2	
15	0602022778	HOSE JOINT, 3/8	2	
16	M3364400504	PICKUP TUBE	2	
17	Y0603306729	SQUARE HEAD PIPE PLUG	1	

ENCLOSURE 1 ASSY.



ENCLOSURE 1 ASSY.

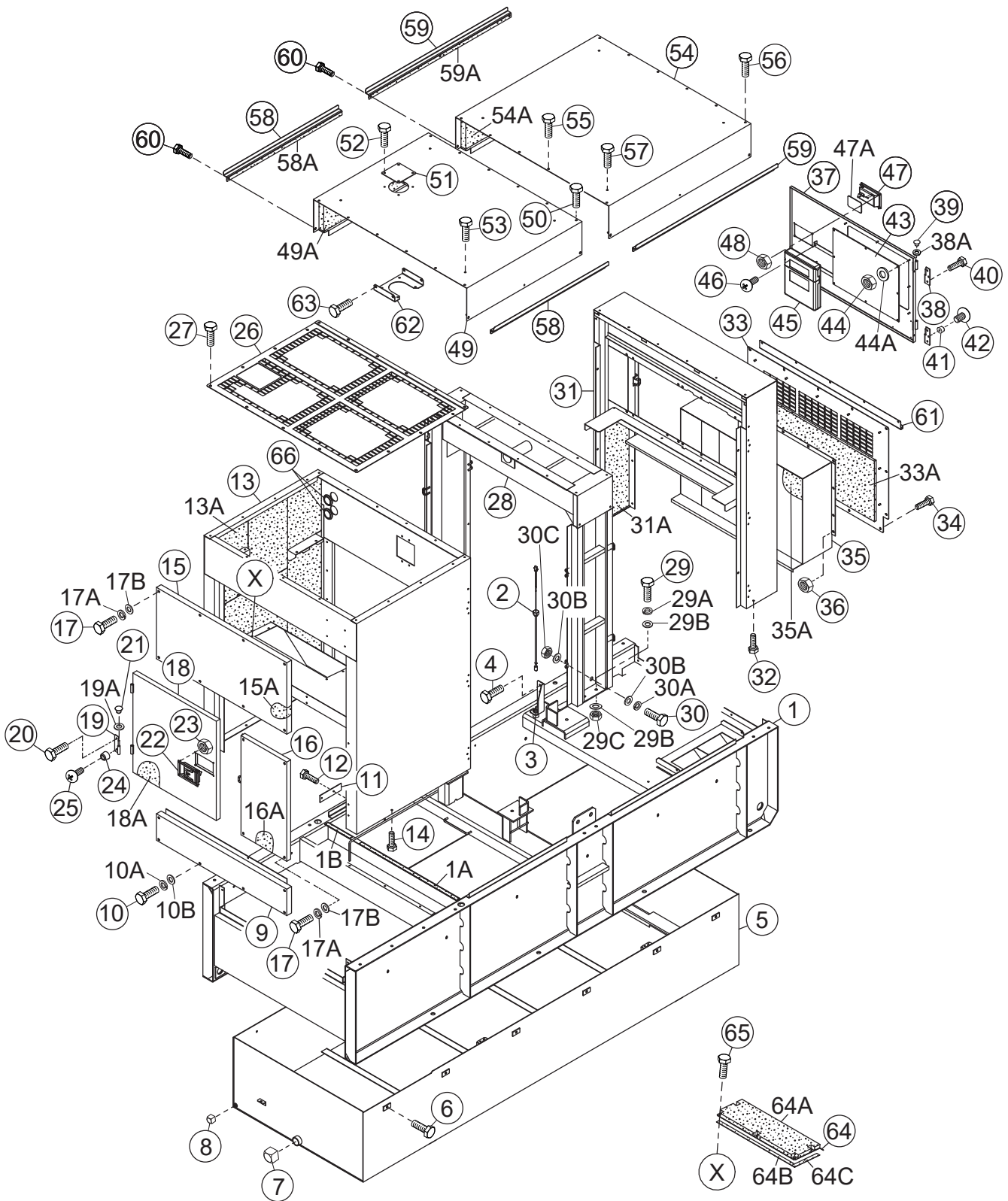
<u>NO.</u>	<u>PART NO.</u>	<u>PART NAME</u>	<u>QTY.</u>	<u>REMARKS</u>
1	M3414001302	BASE	1	
1A	Y0229200830	SEAL, RUBBER	1	
1B	0229200210	SEAL, RUBBER	1	
2	0605503062	FLOAT SWITCH	1	
3	M3414800504	BRACKET, FLOAT SWITCH	1	
4	011008020	HEX. HEAD BOLT	2	REPLACES P/N 0016908020
5	M3364300603	ENVIRONMENTAL TANK	1	
6	0016910030	HEX. HEAD BOLT	12	
7	0603306797	SQUARE HEAD PIPE PLUG, 1-1/2"	1	
8	Y0603306793	SQUARE HEAD PIPE PLUG, 1/2"	1	
9	M3414400103	BASE COVER	1	
10	0019108055	HEX. HEAD BOLT	6	
10A	0042308000	WASHER, LOCK	6	
10B	0401450080	WASHER, FLAT	6	REPLACES P/N 0042408000
11	M2414800304	HOLE COVER BASE	1	
12	011008020	HEX. HEAD BOLT	2	REPLACES P/N 0016908020
13	M3424000802	FRONT FRAME	1	
13A	M3494112003	ACOUSTIC SHEET	1	
14	0016910025	HEX. HEAD BOLT	8	
15	M3424100003	PANEL, FRONT FRAME	1	
15A	M3494113204	ACOUSTIC SHEET	1	
16	M3424100103	PANEL, FRONT FRAME	1	
16A	M3494113504	ACOUSTIC SHEET	1	
17	0019108055	HEX. HEAD BOLT	12	
17A	0042308000	WASHER, LOCK	12	
17B	0401450080	WASHER, FLAT	12	REPLACES P/N 0042408000
18	M3424600203	DOOR, FRONT FRAME	1	
18A	M3494113604	ACOUSTIC SHEET	1	
19	M9110100204	HINGE, MALE (L)	2	
19A	M9116100004	WASHER	2	
20	0019208020	HEX. HEAD BOLT	3	
21	M9310000004	BLIND PLUG	2	
22	Y0605012309	DOOR HANDLE W/STUD BOLTS	1	
23	Y0207006000	SELF-LOCKING NUT	4	
24	Y0601850097	STOPPER	1	
25	0027208025	MACHINE SCREW	1	
26	M3424201803	OVER COVER, FRONT FRAME	1	
27	0019208020	HEX. HEAD BOLT	17	

ADD THE FOLLOWING DIGITS AFTER THE PART NUMBER WHEN ORDERING ANY PAINTED PANEL TO INDICATE COLOR OF UNIT:

1-ORANGE	5-BLACK
2-WHITE	6-CATERPILLAR YELLOW
3-SPECTRUM GREY	7-CATO GOLD
4-SUNBELT GREEN	8-RED

THE SERIAL NUMBER MAY BE REQUIRED.

ENCLOSURE 1 ASSY. CONT'D.



ENCLOSURE 1 ASSY. CONT'D.

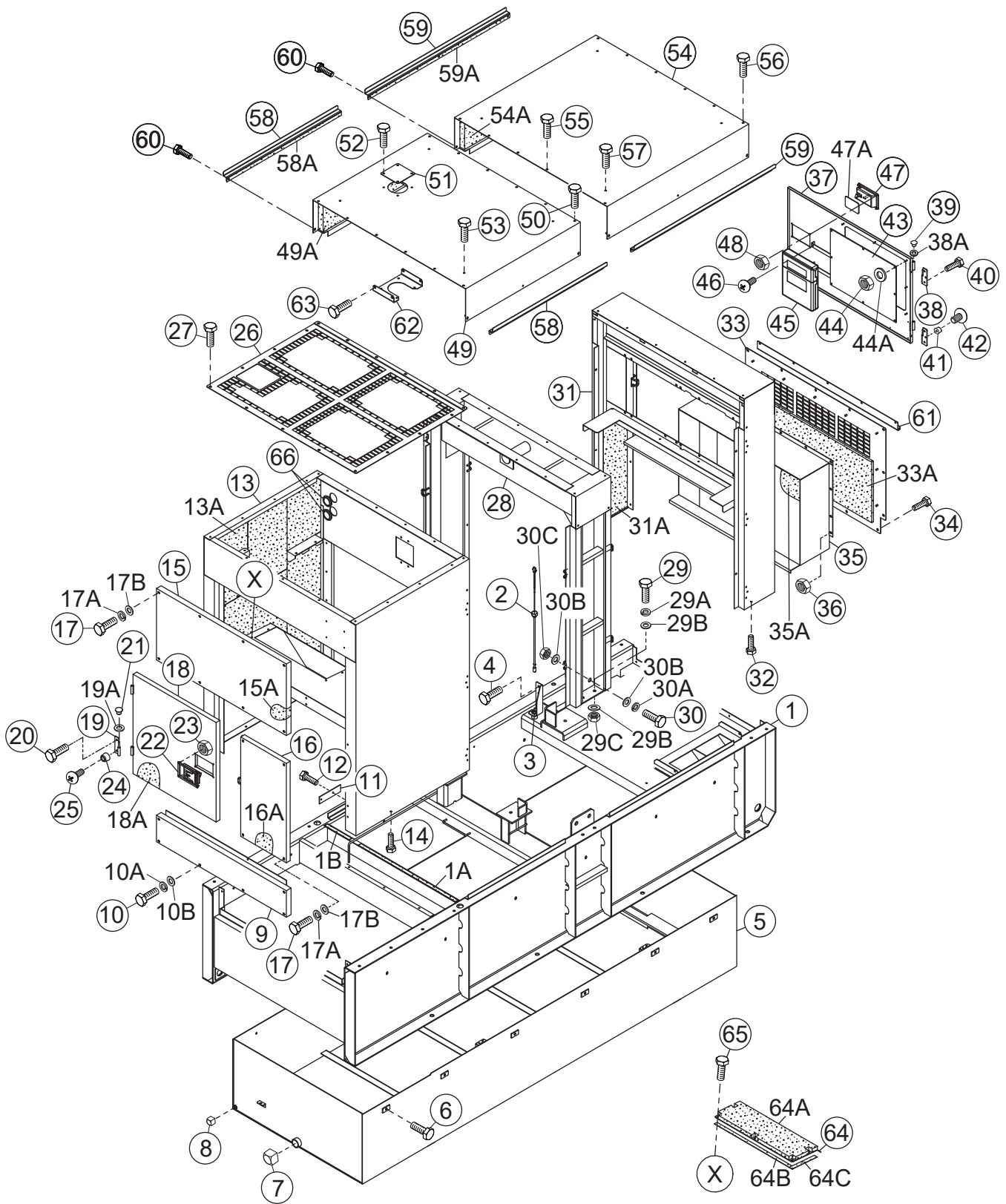
<u>NO.</u>	<u>PART NO.</u>	<u>PART NAME</u>	<u>QTY.</u>	<u>REMARKS</u>
28	M3434000602	CENTER FRAME	1	
29	Y0013614040	HEX. HEAD BOLT	4	
29A	030214350	WASHER, LOCK.....	4	REPLACES P/N 0040014000
29B	031114260	WASHER, FLAT	8	REPLACES P/N 0041214000
29C	515455840	HEX. NUT	4	REPLACES P/N 0030014000
30	Y0013620050	HEX. HEAD BOLT	4	
30A	030220510	WASHER, LOCK.....	4	REPLACES P/N 0040020000
30B	0041220000	WASHER, FLAT	8	
30C	0030020000	HEX. NUT	4	
31	M3444000702	REAR FRAME	1	
31A	M3494302304	ACOUSTIC SHEET	1	
32	0016910025	HEX. HEAD BOLT	4	
33	M3444301304	COVER, REAR FRAME	1	
33A	M3494303404	ACOUSTIC SHEET	1	
34	0019208020	HEX. HEAD BOLT	14	
35	M4444300003	DUCT, REAR FRAME	1	
35A	M4493303004	ACOUSTIC SHEET	1	
36	Y0207008000	SELF-LOCKING NUT	9	
37	M3444200303	DOOR, REAR FRAME	1	
38	M9110100204	HINGE, MALE (L)	2	
38A	M9116100004	WASHER	2	
39	M9310000004	BLIND PLUG	2	
40	0019208020	HEX. HEAD BOLT	3	
41	Y0601850097	STOPPER	1	
42	0027208025	MACHINE SCREW	1	
43	M4443600004	WINDOW PLATE	1	
44	020106050	SELF-LOCKING U-NUT	8	REPLACES P/N 0037906000
44A	952404470	WASHER, FLAT	8	REPLACES P/N 0041206000
45	0600800320	MANUAL PAK	1	
46	0021806015	MACHINE SCREW	4	
47	Y0605012309	DOOR HANDLE	1	
47A	C9312500004	RUBBER SEAL	1	
48	Y0207006000	SELF-LOCKING NUT	4	
49	M3464100502	ROOF PANEL, WHITE	1	
49A	M3494504204	ACOUSTIC SHEET	1	
50	Y0019208035	HEX. HEAD BOLT	6	
51	M3310600004	COVER, RADIATOR CAP	1	
52	0019208020	HEX. HEAD BOLT	4	

ADD THE FOLLOWING DIGITS AFTER THE PART NUMBER WHEN ORDERING ANY PAINTED PANEL TO INDICATE COLOR OF UNIT:

1-ORANGE	5-BLACK
2-WHITE	6-CATERPILLAR YELLOW
3-SPECTRUM GREY	7-CATO GOLD
4-SUNBELT GREEN	8-RED

THE SERIAL NUMBER MAY BE REQUIRED.

ENCLOSURE 1 ASSY. (CONT'D.)



ENCLOSURE 1 ASSY. (CONT'D.)

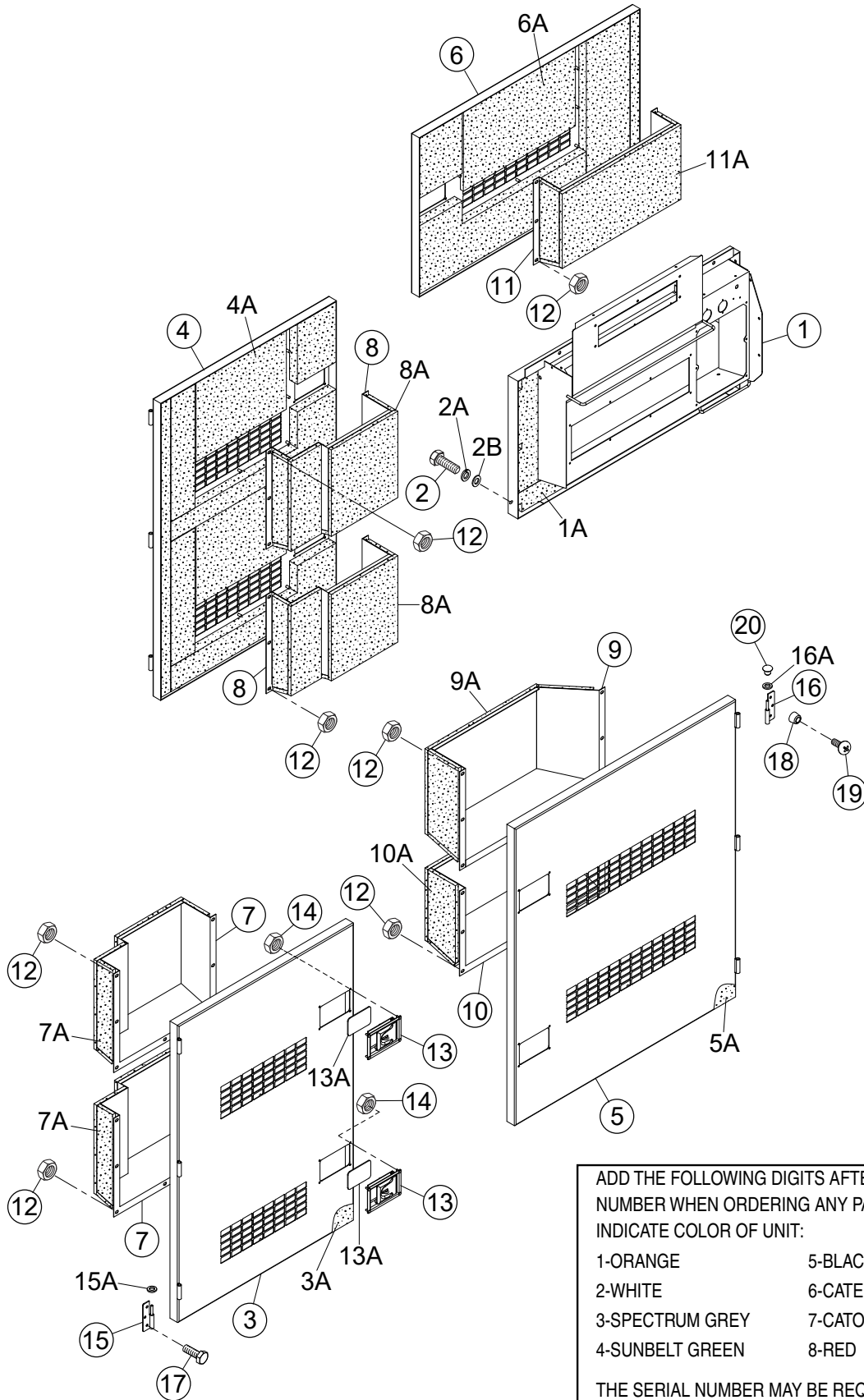
<u>NO.</u>	<u>PART NO.</u>	<u>PART NAME</u>	<u>QTY.</u>	<u>REMARKS</u>
53	0019210025	HEX. HEAD BOLT	4	
54	M3464200502	ROOF PANEL, WHITE	1	
54A	M3494504304	ACOUSTIC SHEET	1	
55	Y0019208035	HEX. HEAD BOLT	6	
56	0019208020	HEX. HEAD BOLT	6	
57	0019210025	HEX. HEAD BOLT	4	
58	M3464500104	GUTTER, WHITE	2	
58A	Y0229200980	SEAL RUBBER	2	
59	M3464500204	GUTTER	2	
59A	Y0229201210	SEAL RUBBER	2	
61	M3444800204	GUTTER	1	
62	M3317100004	BRACKET, SURGE TANK	1	
63	011008020	HEX. HEAD BOLT	4	REPLACES P/N 0016908020
64	M3424700904	DEF TANK COVER	1	
64A	M3494114004	ACOUSTIC SHEET	1	
64B	Y0229200665	SEAL RUBBER	2	
64C	Y0229200215	SEAL RUBBER	2	
65	011008020	HEX. HEAD BOLT	8	REPLACES P/N 0016908020
66	0601851736	GROMMET	2	

ADD THE FOLLOWING DIGITS AFTER THE PART NUMBER WHEN ORDERING ANY PAINTED PANEL TO INDICATE COLOR OF UNIT:

1-ORANGE	5-BLACK
2-WHITE	6-CATERPILLAR YELLOW
3-SPECTRUM GREY	7-CATO GOLD
4-SUNBELT GREEN	8-RED

THE SERIAL NUMBER MAY BE REQUIRED.

ENCLOSURE 2 ASSY.



ADD THE FOLLOWING DIGITS AFTER THE PART NUMBER WHEN ORDERING ANY PAINTED PANEL TO INDICATE COLOR OF UNIT:

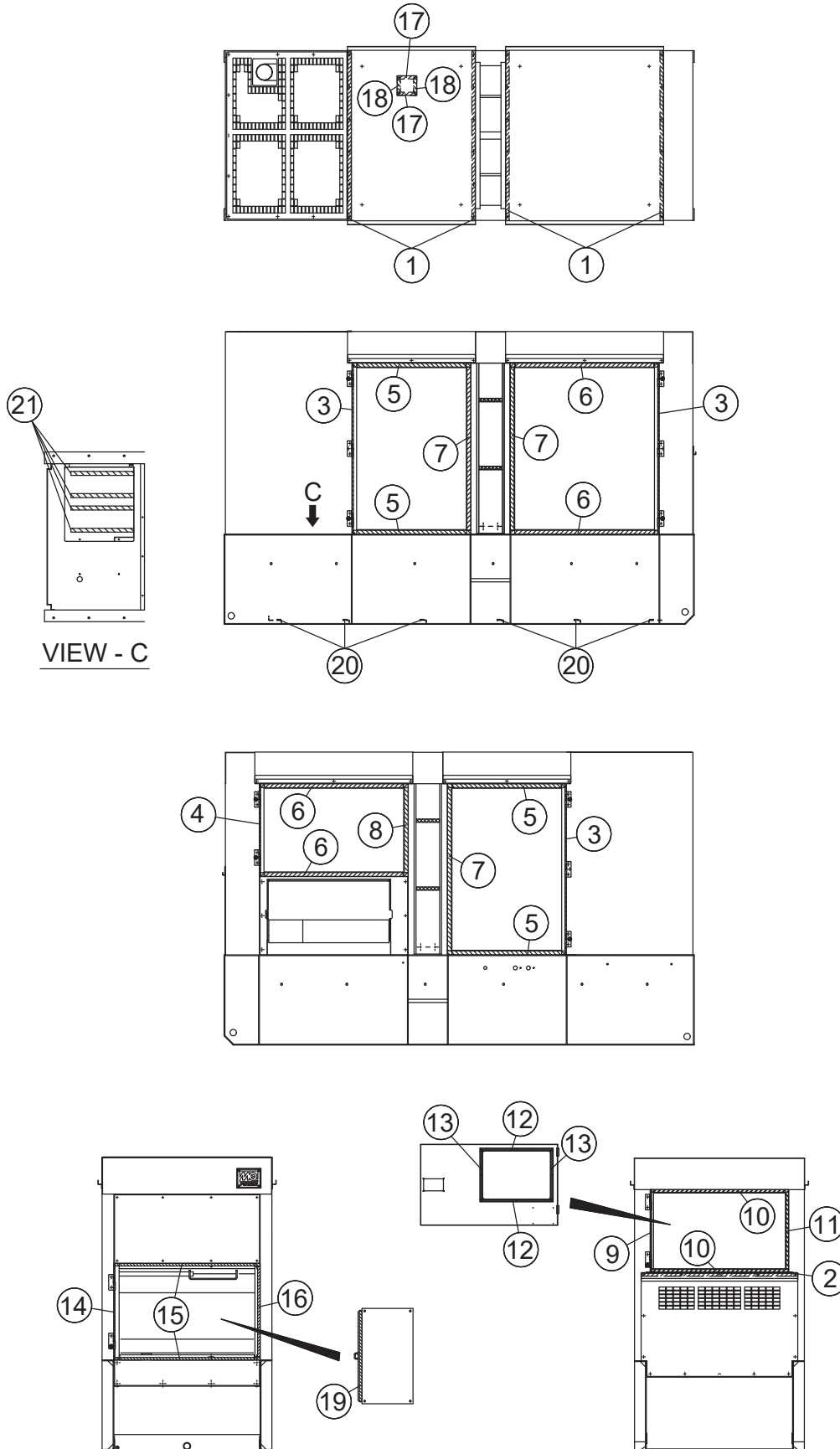
- | | |
|-----------------|----------------------|
| 1-ORANGE | 5-BLACK |
| 2-WHITE | 6-CATERPILLAR YELLOW |
| 3-SPECTRUM GREY | 7-CATO GOLD |
| 4-SUNBELT GREEN | 8-RED |

THE SERIAL NUMBER MAY BE REQUIRED.

ENCLOSURE 2 ASSY.

<u>NO.</u>	<u>PART NO.</u>	<u>PART NAME</u>	<u>QTY.</u>	<u>REMARKS</u>
1	M3454200802	SPLASHER PANEL	1	
1A	M3494421504	ACOUSTIC SHEET	1	
2	0019108065	HEX. HEAD BOLT	6	
2A	0042308000	WASHER, LOCK	6	
2B	0401450080	WASHER, FLAT	6.....	REPLACES P/N 0042408000
3	M3454003303	SIDE DOOR	1	
3A	M3494430304	ACOUSTIC SHEET	1	
4	M3454003403	SIDE DOOR	1	
4A	M3494430404	ACOUSTIC SHEET	1	
5	M3454003503	SIDE DOOR	1	
5A	M3494430504	ACOUSTIC SHEET	1	
6	M3454002803	SIDE DOOR	1	
6A	M3494420904	ACOUSTIC SHEET	1	
7	M3454301504	DUCT	2	
7A	M3494421004	ACOUSTIC SHEET	2	
8	M3454301604	DUCT	2	
8A	M3494421104	ACOUSTIC SHEET	2	
9	M3454301704	DUCT	1	
9A	M3494421204	ACOUSTIC SHEET	1	
10	M5454301004	DUCT	1	
10A	M3494421304	ACOUSTIC SHEET	1	
11	M3454302304	DUCT	1	
11A	M3494431304	ACOUSTIC SHEET	1	
12	Y0207008000	SELF-LOCKING NUT	49	
13	Y0605012309	DOOR HANDLE	7	
13A	C9312500004	SEAL RUBBER	7	
14	Y0207006000	SELF-LOCKING NUT	28	
15	M9110100804	HINGE	5	
15A	M9116100004	WASHER	5	
16	M9110100904	HINGE	6	
16A	M9116100004	WASHER	6	
17	0019208020	HEX. HEAD BOLT	25	
18	Y0601850097	STOPPER	8	
19	0027208025	MACHINE SCREW	8	
20	M9310000004	BLIND PLUG	11	

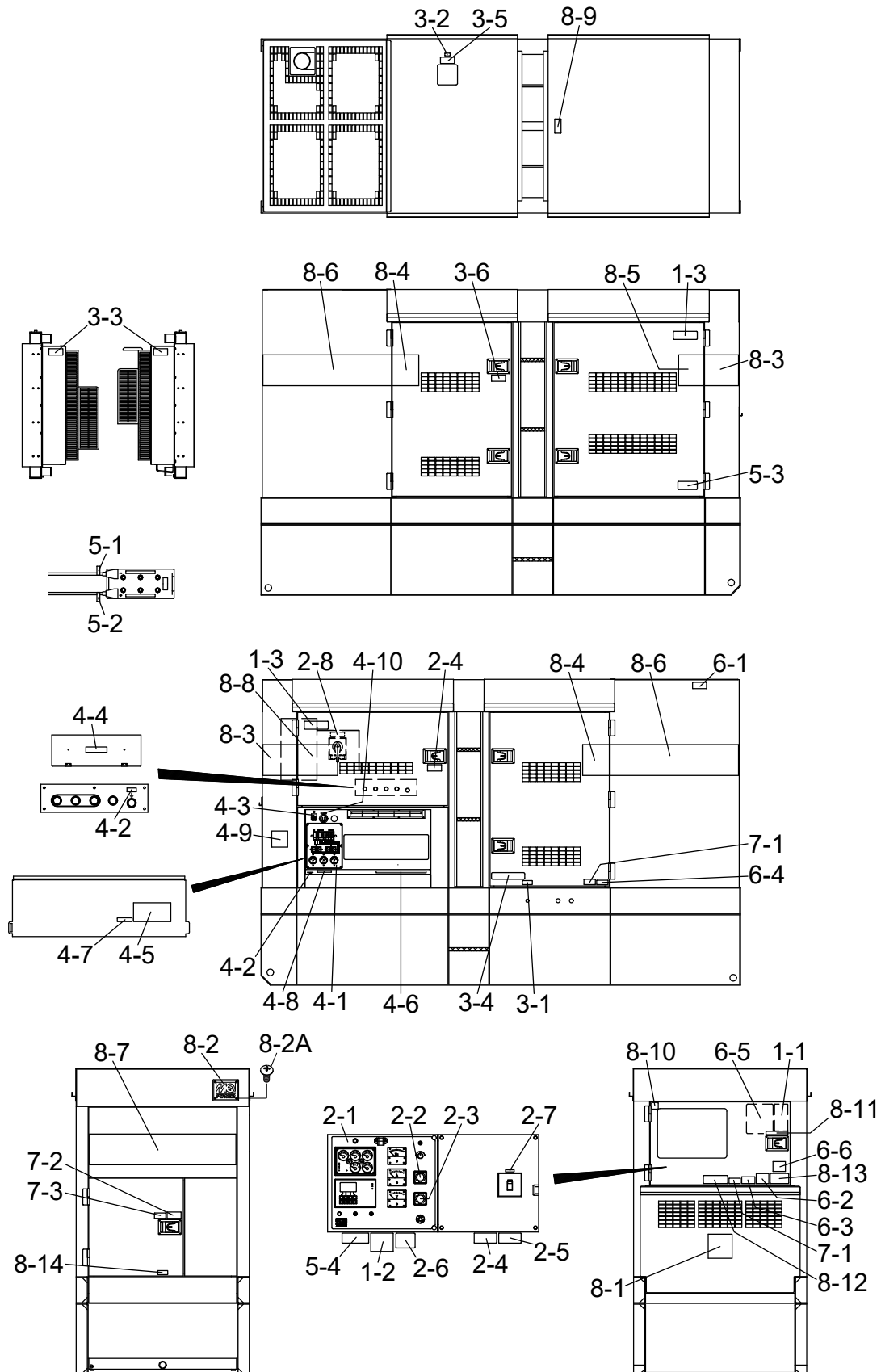
RUBBER SEALS ASSY.



RUBBER SEALS ASSY.

<u>NO.</u>	<u>PART NO.</u>	<u>PART NAME</u>	<u>QTY.</u>	<u>REMARKS</u>
1	0229201300	SEAL RUBBER	4	
2	0229201200	SEAL RUBBER	1	
3	0228901310	SEAL RUBBER	3	
4	0228900710	SEAL RUBBER	1	
5	0228900900	SEAL RUBBER	4	
6	0228901130	SEAL RUBBER	4	
7	0228901250	SEAL RUBBER	3	
8	0228900650	SEAL RUBBER	1	
9	0229400630	SEAL RUBBER	1	
10	0228801050	SEAL RUBBER	2	
11	0228800590	SEAL RUBBER	1	
12	Y0228100560	SEAL RUBBER	2	
13	Y0228100370	SEAL RUBBER	2	
14	Y0229400740	SEAL RUBBER	1	
15	Y0228801110	SEAL RUBBER	2	
16	Y0228800700	SEAL RUBBER	1	
17	Y0229200145	SEAL RUBBER	2	
18	Y0229200100	SEAL RUBBER	2	
19	Y0229400700	SEAL RUBBER	1	
20	Y0222101100	SEAL RUBBER	6	
21	Y0222100480	SEAL RUBBER	4	

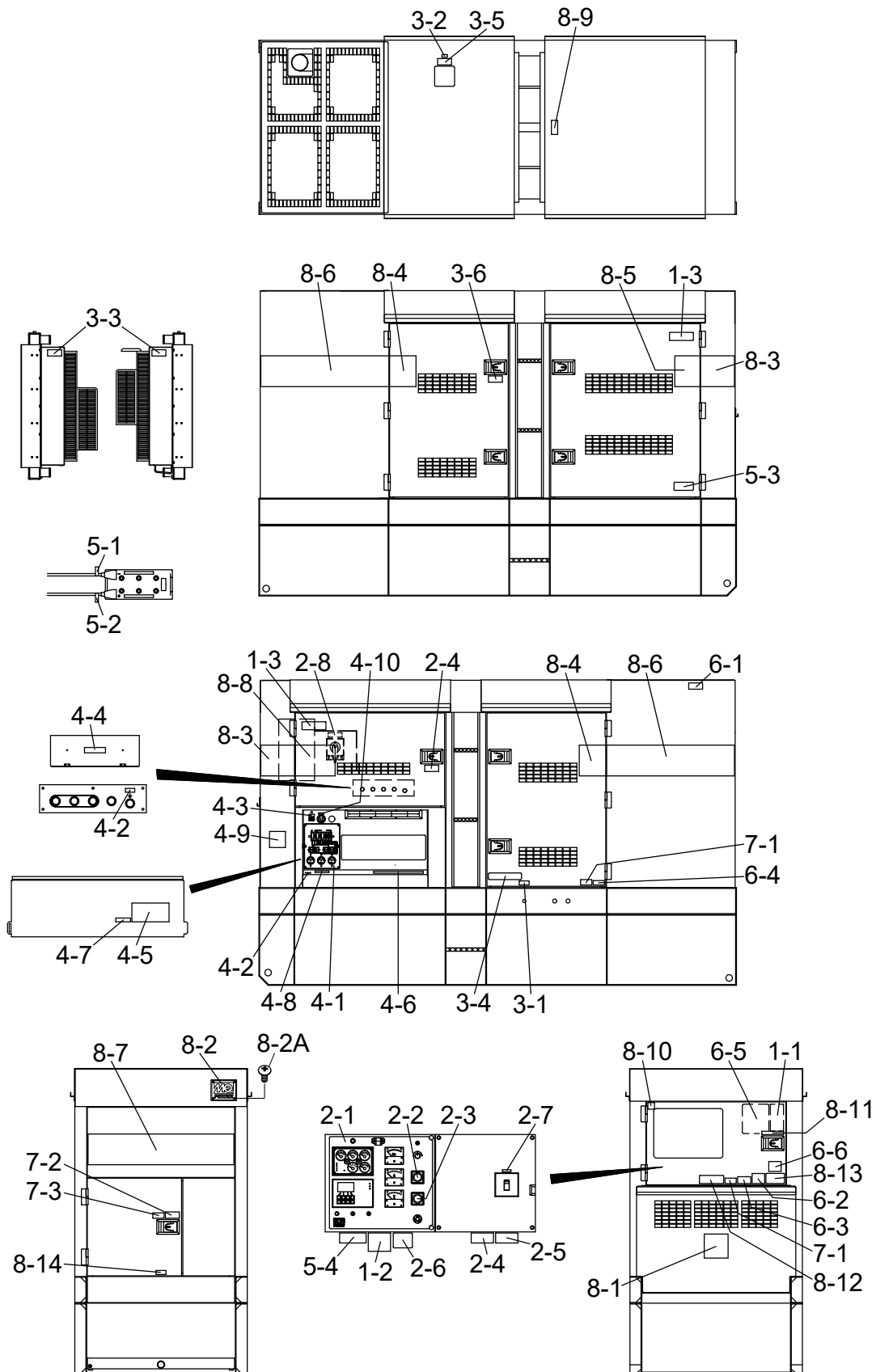
NAME PLATE AND DECALS ASSY.



NAME PLATE AND DECALS ASSY.

NO.	PART NO.	PART NAME	QTY.	REMARKS
1-1	M3551000103	DECAL; OPERATING PRECAUTIONS.....	1.....	M35100010
1-2	M9520100304	DECAL; GENERAL CAUTIONS.....	1.....	M92010030
1-3	M9520100603	DECAL; WARNING: AUTO START	2.....	M92010060
<u>CONTROL PANEL AND BOX GROUP</u>				
2-1	M3551002402	DECAL; CONTROL PANEL	1.....	M35100240
2-2	M9520000104	PLATE; AMMETER CHANGE-OVER SWITCH .	1.....	M92000010
2-3	M9520000204	PLATE; VOLTMETER CHANGE-OVER SW.....	1.....	M92000020
2-4	M9520100004	DECAL; WARNING: ELECT. SHOCK HAZ.	2.....	M92010000
2-5	M9520100704	DECAL; WARNING: ARC FLASH.....	1.....	M92010070
2-6	M9520200404	DECAL; OVER CURRENT RELAY	1.....	M92020040A
2-7	M9522000504	DECAL; CIRCUIT BREAKER	1.....	M92200050
2-8	M9520100204	DECAL; CAUTION: CHANGE-OVER SWITCH .	1.....	M92010020A
<u>ENGINE AND RADIATOR GROUP</u>				
3-1	M9500000004	DECAL; OIL DRAIN PLUG	1.....	M90000000
3-2	M9500100004	DECAL; WATER.....	1.....	M90010000
3-3	M9503000004	DECAL; WARNING: ROTATING PART.....	2.....	M90300000
3-4	M9503000103	DECAL; WATER-OIL CHECK	1.....	M90300010
3-5	M9503100004	DECAL; WARNING: RADIATOR CAP	1.....	M90310000
3-6	M9510100004	DECAL; CAUTION: HIGH TEMPERATURE.....	1.....	M91010000
<u>OUTPUT TERMINAL GROUP</u>				
4-1	M35510020031	DECAL; AUXILIARY OUTPUTS	1.....	REPLACES P/N M3551002003 M35100200
4-2	M9520000004	DECAL; GROUNDING.....	2.....	M92000000
4-3	M9520000504	DECAL; START CONTACT	1.....	M92000050
4-4	M9520000704	DECAL; 3-PHASE OUTPUT TERMINAL.....	1.....	M92000070
4-5	M9520100404	DECAL; DANGER: HIGH VOLTAGE	1.....	M92010040
4-6	M9520100503	DECAL; WARNING	1.....	M92010050
4-7	M9521200604	DECAL; BONDED NEUTRAL.....	1.....	M92120060
4-8	M9511100104	DECAL; NOTICE: RECEPTACLE	1.....	M91110010
4-9	M3550000804	DECAL; NOTE: LOAD SHARING	1.....	M35000080A
4-10	M9522000004	DECAL; WATER HEATER	1	
<u>BATTERY GROUP</u>				
5-1	M9500300004	DECAL; -	1.....	M90030000
5-2	M9500300104	DECAL; +	1.....	M90030010
5-3	M9510100403	DECAL; WARNING: BATTERY CONNECT	1.....	M91010040
5-4	M9501300004	DECAL; CAUTION: BATTERY CABLES	1.....	M90130000

NAME PLATE AND DECALS ASSY. (CONT'D.)



NAME PLATE AND DECALS ASSY. (CONT'D.)

<u>NO.</u>	<u>PART NO.</u>	<u>PART NAME</u>	<u>QTY.</u>	<u>REMARKS</u>
<u>MUFFLER GROUP</u>				
6-1	M9503200004	DECAL; WARNING: EXHAUST GAS	1.....	M90320000
6-2	M9503200104	DECAL; DANGER: EXHAUST GAS (INDOOR).....	1.....	M90320010
6-3	920214100	DECAL; WARNING: START FIRES	1.....	REPLACES P/N M9504200004 M90420000
6-4	M9504500004	DECAL; REFILL DEF AS WELL	1.....	M90450000
6-5	M2551000703	DECAL; EX. FILTER CLEAN PROCEDURES ...	1.....	M25100070
6-6	M9504200104	DECAL; WARNING: PROPOSITION 65	1	
<u>FUEL TANK GROUP</u>				
7-1	M9501500004	DECAL; DIESEL FUEL	2.....	M90150000
7-2	M9541100004	DECAL; CAUTION: EXHAUST FLUID ONLY	1.....	M94110000
7-3	M9501500104	DECAL; DIESEL EXHAUST FLUID	1.....	M90150010
<u>ENCLOSURE GROUP</u>				
8-1	M9511200204	DECAL; MQ	1.....	M91120020
8-2	0600500092	EMBLEM.....	1.....	REPLACES P/N Y0600500092
8-2A	0021106015	MACHINE SCREW	4	
8-3	M3561100004	STRIPE	2	
8-4	M5560101604	STRIPE	2	
8-5	M3561101004	STRIPE	1	
8-6	M3561101103	STRIPE	2	
8-7	M3561101303	STRIPE	1	
8-8	M3561101204	STRIPE	1	
8-9	M5550000004	DECAL; CAUTION: LIFTING CAPACITY	1.....	M55000000
8-10	Y0600500094	DECAL; E-COAT MARK STICKER	1	
8-11	M9510000104	DECAL; DOCUMENT BOX LOCATED	1.....	M91000010
8-12	M9511200103	DECAL; TIER 4F	1.....	M91120010
8-13	M9511100004	DECAL; WARNING: ENVIRONMENTAL.....	1.....	M91110000
8-14	M9510000004	DECAL; FLUID DRAIN.....	1.....	M91000000