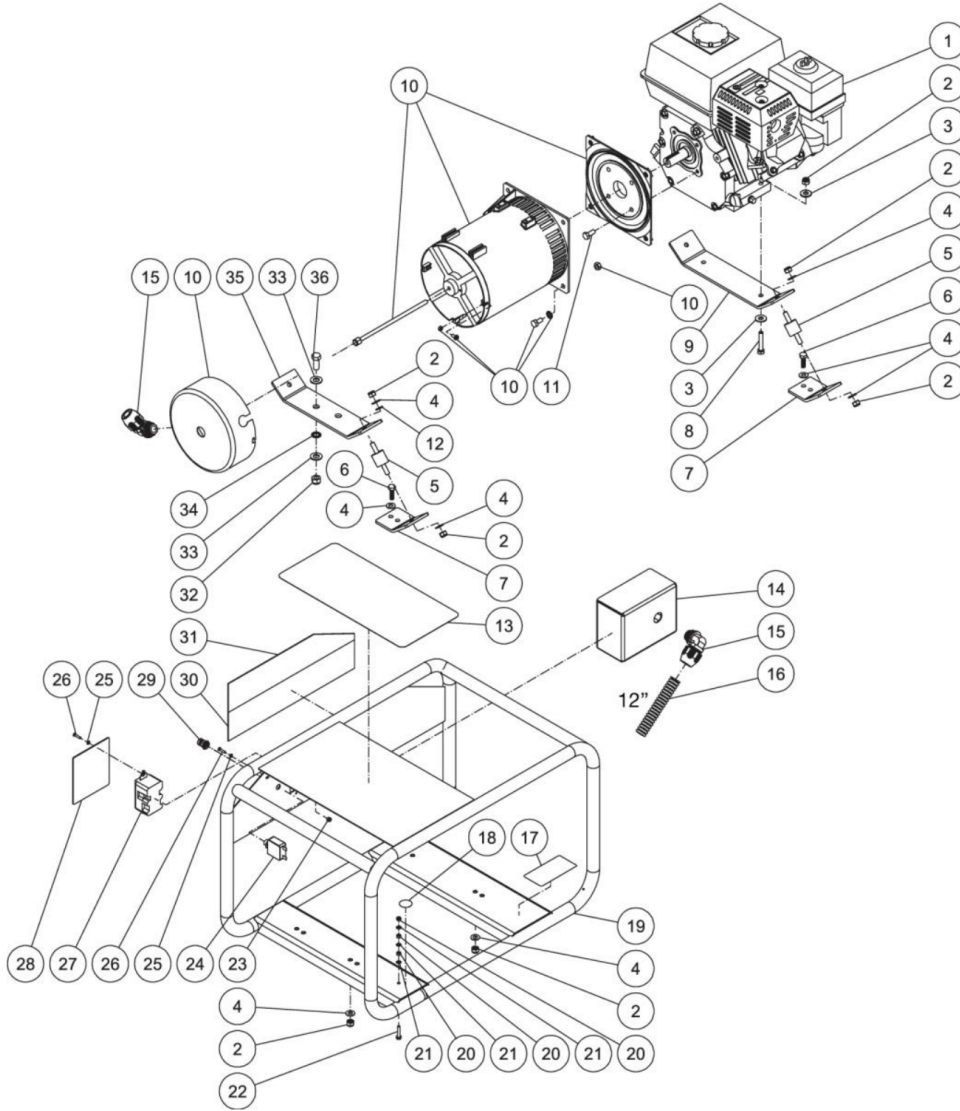




GEN-2500-OMS0 / GEN-2500-OMS0 (sn:0-99999999)

FRAME ASSEMBLY



Id	Item #	Description	Quantity
1	1-0154	ENGINE - HONDA (GEN-3000-0MH0)	1
1	1-0145	ENGINE-ROBIN (GEN-2500-OMS0)	1
2	30-0157	LOCKNUT	18
3	28-0022	WASHER	4
4	28-0003	WASHER	24
5	14-0096	ISOLATOR	4
6	27-0067	BOLT	8

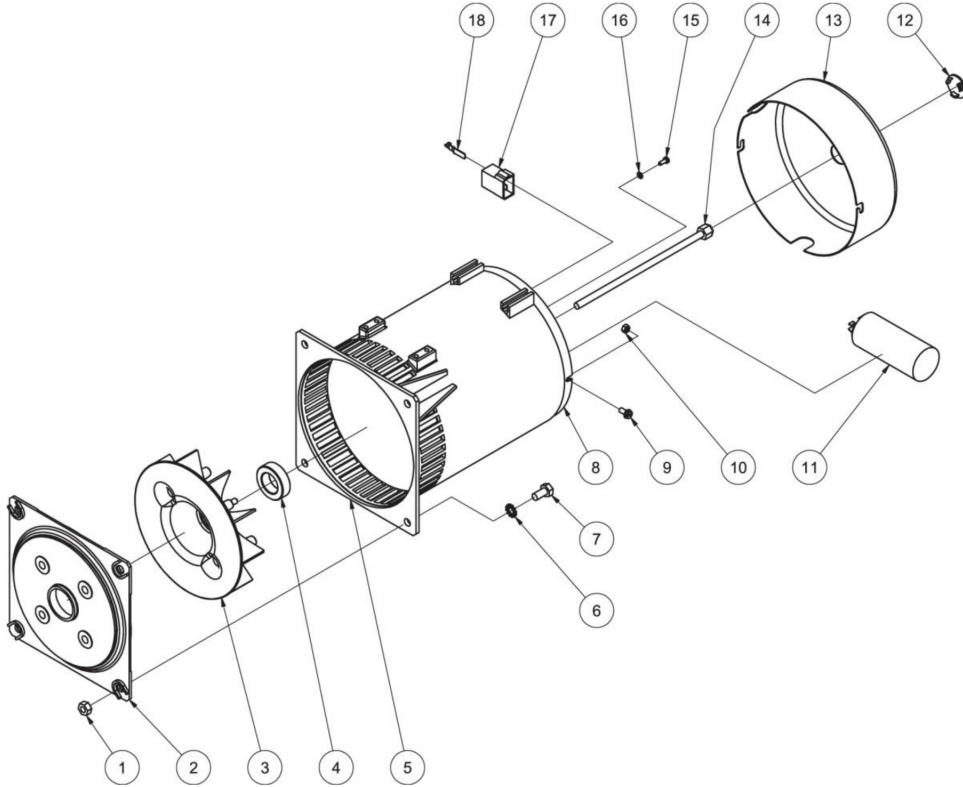
Id	Item #	Description	Quantity
7	5-0236A01	ISOLATOR MOUNTING BRACKET	4
8	27-0070	BOLT	2
9	5-0237A01	ISOLATION PLATE	1
10	32-0823	ALTERNATOR	1
11	27-0091	BOLT	4
12	29-0110	LOCKWASHER	1
13	N/A	DECAL- WARNINGS (SEE 71-0024)	1
14	20-0827A01	ELECTRIC BOX	1
15	32-0254	CONDUIT ELBOW	2
16	32-0253	CONDUIT FLEX *(ONE FOOT REQUIRED)	1
17	N/A	DECAL- SILVER STICKER	1
18	N/A	DECAL- GROUND PICTORIAL (SEE 71-0024)	1
19	5-0233A01	FRAME	1
20	30-6001	NUT	3
21	28-1009	STAR WASHER	4
22	27-8807	BOLT	1
23	30-0152	LOCKNUT	2
24	32-0438	CIRCUIT BREAKER	1
25	29-1013	LOCKWASHER	6
26	27-8881	SCREW	6
27	32-0830	GFCI DUPLEX RECEPTACLE	1
28	N/A	DECAL - CONTROL PANEL (SEE 71-0024)	1
29	32-0441	CIRCUIT BREAKER BOOT	1
30	N/A	DECAL - OPERATIONS (SEE 71-0024)	1
31	N/A	DECAL - MARKETING (GEN-2500-0MS0)	1
31	N/A	DECAL - MARKETING (GEN-3000-0MH0)	1
32	30-0161	LOCKNUT	1
33	28-0005	WASHER	2
34	29-0112	LOCKWASHER	1
35	5-0235A01	ISOLATION PLATE	1
36	27-0166	BOLT	1
	71-0024	DECAL SET	1

*MUST ORDER IN ONE FOOT LENGTHS



GEN-2500-0MS0 / GEN-2500-0MS0 (sn:0-99999999)

ALTERNATOR ASSEMBLY



Id	Item #	Description	Quantity
1	30-3007	NUT	4
2	52-0070	ALTERNATOR FLANGE	1
3	52-0093	FAN	1
4	52-0096	BEARING	1
5	52-0094	BRACKET- DRIVE END	1
6	29-0110	LOCKWASHER	4
7	27-8042	BOLT	4
8	52-0095	BRACKET- NON DRIVE END	1
9	27-9593	SCREW	2
10	30-6001	NUT	2
11	32-0873	CAPACITOR	1
12	52-0075	ALTERNATOR CAP	1
13	52-0073	ALTERNATOR END COVER	1

Id	Item #	Description	Quantity
14	27-9584	BOLT	1
15	27-9586	SCREW	1
16	29-1013	LOCKWASHER	1
17	52-0077	TERMINAL PLUG	1
18	32-0878	TERMINAL SPADE	4