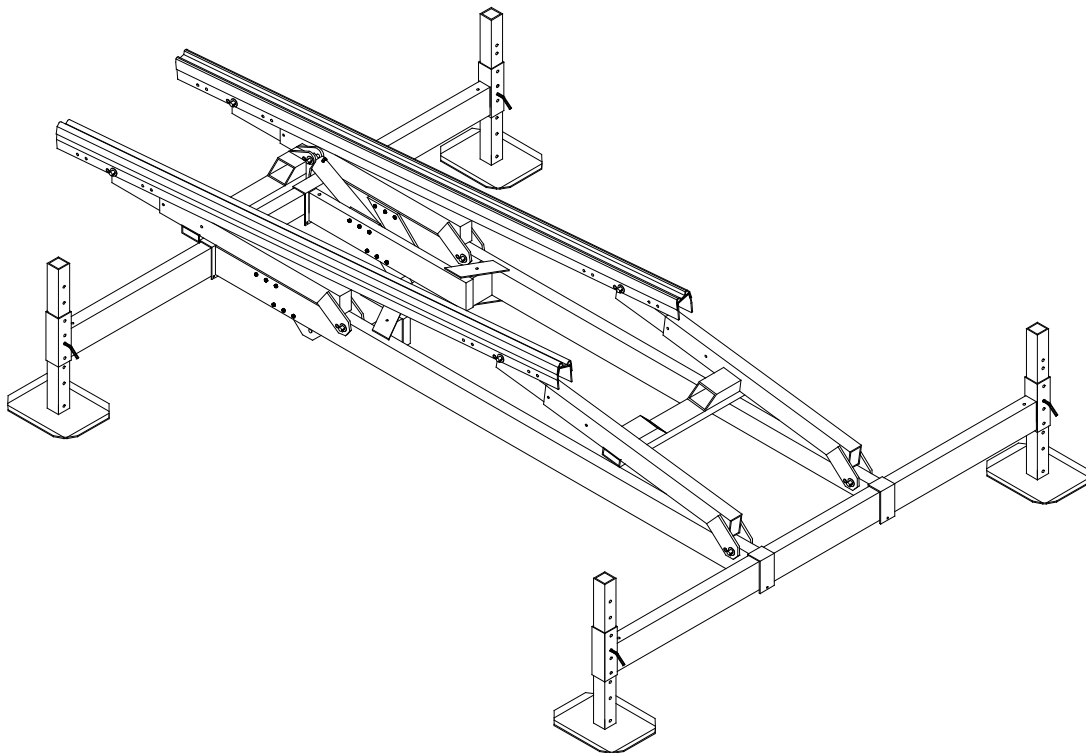




HL7000/HL7000XL HYDRAULIC BOAT LIFT INSTRUCTIONS



REIMANN & GEORGER CORPORATION
MARINE PRODUCTS
P/N 6114162

BUFFALO, NY
02/10/17

7 PARTS LISTS

Each reference number or letter in the following parts lists can be matched with the reference number or letter referred to in both the text and illustrations of Chapter 3, Installation and Setup.



WARNING:

FAILURE TO APPLY A SUITABLE LUBRICANT TO THE MATING SURFACES OF STAINLESS STEEL THREADED FASTENERS MAY CAUSE GALLING AND/OR SEIZING OF ASSEMBLY.

7.1 4107019 HL70120 BOAT LIFT

SECTION #	PART #	QTY	DESCRIPTION
7.4	4107116	1	HL7K BUNDLE 1 of 2
7.6	4107122	1	HL7K COMMON BUNDLE #2
7.9	4107101	1	HL ALUM BUNK BUNDLE
7.10	4107407	1	HL7K CYLINDER & HOSE ASSY
	4107406		HL7K CYL W/STAINLESS HOSE & FTG'S (OPTIONAL)
7.11	4107207	1	HL7K HARDWARE CARTON OF PARTS

7.2 4107020 HL70120XL BOAT LIFT

SECTION #	PART #	QTY	DESCRIPTION
7.5	4107119	1	HL7KXL BUNDLE 1 of 2
7.6	4107122	1	HL7K COMMON BUNDLE #2
7.9	4107101	1	HL ALUM BUNK BUNDLE
7.10	4107407	1	HL7K CYLINDER & HOSE ASSY-PLATED (STANDARD)
	4107406		HL7K CYL W/STAINLESS HOSE & FTG'S (OPTIONAL)
7.11	4107207	1	HL7K HARDWARE CARTON OF PARTS

7.3 4107027 HL70112 NARROW BOAT LIFT

SECTION #	PART #	QTY	DESCRIPTION
7.4	4107116	1	HL7K BUNDLE 1 of 2
7.7	4107121	1	HL7K BUNDLE #2
7.9	4107101	1	HL ALUM BUNK BUNDLE
7.10	4107407	1	HL7K CYLINDER & HOSE ASSY
	4107406		HL7K CYL W/STAINLESS HOSE & FTG'S (OPTIONAL)
7.11	4107207	1	HL7K HARDWARE CARTON OF PARTS

7.4 4107116 HL70120 BUNDLE 1 of 2 (48")

EF #	PART #	QTY	DESCRIPTION
8	4107561	1	HL7K LIFT ARM ASSEMBLY- REAR
9	4107425	1	HL7K LIFT ARM ASSEMBLY- FRONT
10	4107604	4	HL7K LIFTARM EXTENSION—48" LIFT HEIGHT

7.5 4107119 HL70120XL BUNDLE 1 of 2 (60")

REF #	PART #	QTY	DESCRIPTION
8	4107561	1	HL7K LIFT ARM ASSEMBLY- REAR
9	4107425	1	HL7K LIFT ARM ASSEMBLY- FRONT
10	4107601	4	HL7K LIFTARM EXTENSION—60" LIFT HEIGHT

7.6 4107122 HL70120 BUNDLE #2 (120" WIDE LIFT)

REF #	PART #	QTY	DESCRIPTION
3	4107597	2	HL7K LEG ASSEMBLY
4	4107564	1	HL7K MAIN FRAME ASSEMBLY LH
5	4107567	1	HL7K MAIN FRAME ASSEMBLY RH

7.7 4107121 HL70112 BUNDLE #2 (112" WIDE LIFT)

REF #	PART #	QTY	DESCRIPTION
3	4107595	2	HL6-7K LEG ASSEMBLY 112"
4	4107564	1	HL7K MAIN FRAME ASSEMBLY LH
5	4107567	1	HL7K MAIN FRAME ASSEMBLY RH

7.8 HL EXTENSION LEGS

REF #	PART #	QTY	DESCRIPTION
2	as ordered	4	HL EXTENSION LEGS 3' to 9' LENGTHS (in 2' increments)

7.9 4107101 HL BUNK BUNDLE

REF #	PART #	QTY	DESCRIPTION
12	4107410	2	HL BUNK ASSEMBLY (2pcs. Total)

7.10 4107407 HL7K HYDRAULIC CYLINDERS & FITTINGS

REF #	PART #	QTY	DESCRIPTION
11	6041074	2	HYDRAULIC CYLINDER 3 X 22
S	4107925	2	HOSE ASSEMBLY 4'
T	4107922	2	HOSE ASSEMBLY 2'
U	4100020	2	HOSE ASSEMBLY 20' (2013)
V	5641075	2	3/8 X 1/4 ADAPTER 45-DEGREE
W	5641020	2	1/4 TEE
X	6000700	1	1/4 FEMALE COUPLING (SNAP TO CONNECT)
	6041364		1/4 FEMALE COUPLING (SCREW TO CONNECT)
Y	6000701	1	1/4 MALE COUPLING (SNAP TO CONNECT)
	6041365		1/4 MALE COUPLING (SCREW TO CONNECT)
AA	5641073	2	3/8 x 1/4 ADAPTER

4107406 HL7K HYDRAULIC CYLINDERS W/STAINLESS HOSE & FTG'S (OPTIONAL)

REF #	PART #	QTY	DESCRIPTION
11	6041074	2	HYDRAULIC CYLINDER 3 X 22
S	4107955	2	HOSE ASSEMBLY 4' W/STAINLESS FTG'S
T	4107952	2	HOSE ASSEMBLY 2' W/STAINLESS FTG'S
U	4107961	2	HOSE ASSEMBLY 18' W/STAINLESS FTG'S
V	5641010	2	3/8 X 1/4 ADAPTER
W	5694102	2	1/4 TEE STAINLESS
X	6041364	1	1/4 FEMALE COUPLING (SCREW TO CONNECT)
Y	6041365	1	1/4 MALE COUPLING (SCREW TO CONNECT)
AA	5694101	2	3/8 x 1/4 ADAPTER STAINLESS

7.11 4107207 HL7K HARDWARE CARTON OF PARTS

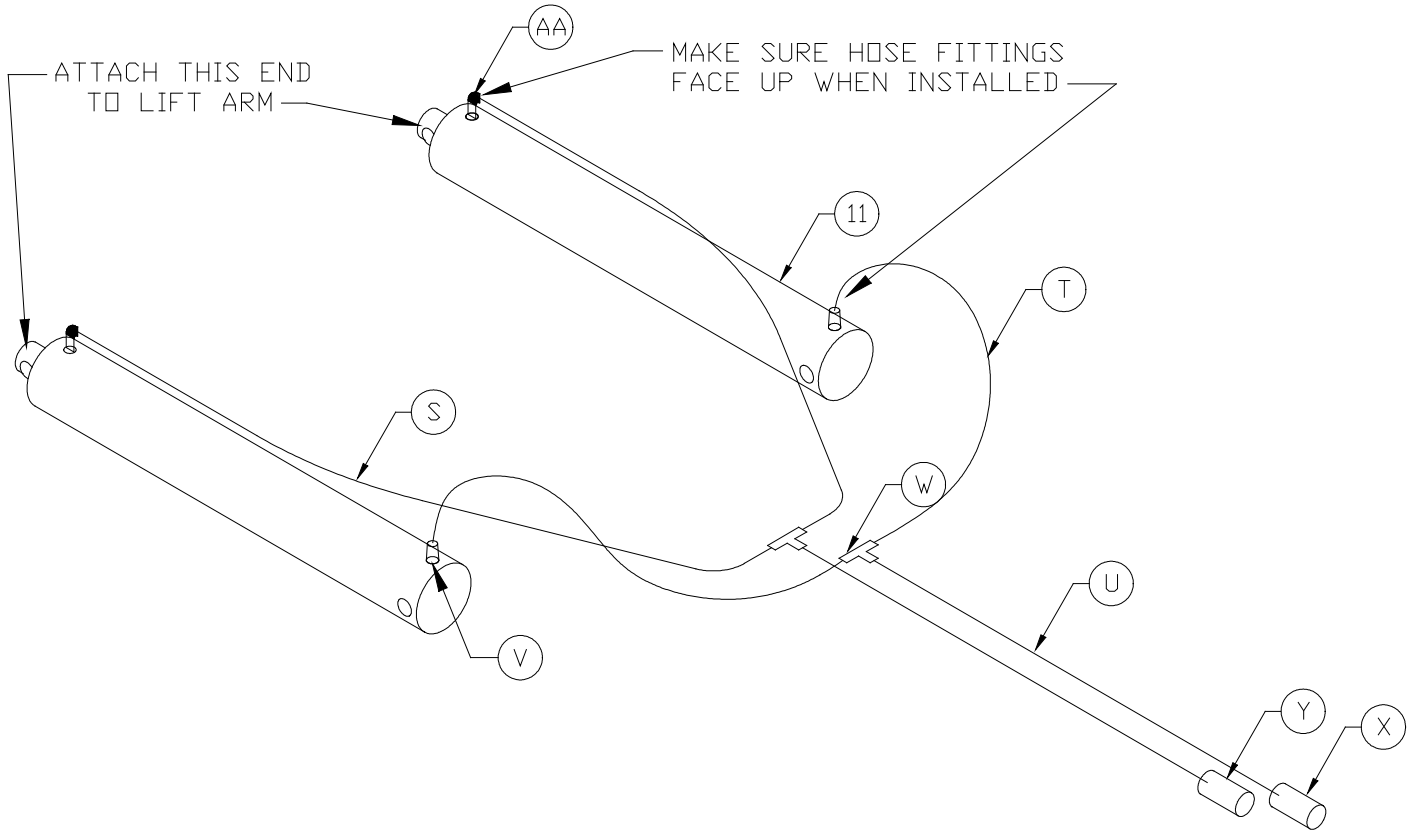
REF #	PART #	QTY	DESCRIPTION
A	4100900	1	HL LEG PIN SET (4 ea. PINS & CLIPS)
1	4107537	4	FOOT PLATE ASSY
6	4107552	2	CYLINDER SUPPORT—LEFT HAND
7	4107555	2	CYLINDER SUPPORT—RIGHT HAND
Z	6436105	4	3" SQUARE PLASTIC CAP
	4107304	1	HL7K BAG OF BOLTS consisting of:
C	5897018	12	1/2 NYLOCK HEX NUT
D	5896292	12	1/2 X 4 HEX HEAD CAP SCREW
E	5896262	20	3/8 X 4-1/2 HEX HEAD CAP SCREW
F	5896406	32	3/8 SAE FLAT WASHER
G	5806243	32	3/8 SPLIT LOCK WASHER
H	5896377	32	3/8 HEX NUT
I	5896257	12	3/8 X 3-1/2 HEX HEAD CAP SCREW

	4107306	1	HL7K CLEVIS PIN BAG consisting of:
J	4107934	8	2-1/4" OD X .91" ID X 1/16" THICK NYLON LIFTARM WASHER
K	5894109	6	HL CLEVIS PIN 3/4" X 5" HEADED
L	4107919	2	7/8 X 7-1/16 CYLINDER BOTTOM CLEVIS PIN
M	4107913	2	7/8 X 4-1/8 CYLINDER TOP CLEVIS PIN
N	4107949	4	2" OD X 29/32" ID X 3/16" THICK HL CYL SPACER
O	4107937	8	1-3/4" OD X 25/32 ID X 1/8 THICK NYLON BUNK WASHER
P	5894108	16	5/32 X 1-3/4 COTTER PIN
Q	5893625	10	7/8 SAE FLAT WASHER
R	5896417	6	3/4 SAE FLAT WASHER
B	5894110	2	HL CLEVIS PIN 7/8" X 5" HEADED



WARNING:

HYDRAULIC CYLINDER HOSE FITTINGS MUST FACE UPWARDS TO AVOID DAMAGING THE FITTINGS OR HOSES IF THEY CONTACT THE GROUND DURING OPERATION. DAMAGE TO BOAT OR LIFT FROM SUDDEN LOSS OF HYDRAULIC FLUID COULD RESULT.



**Figure 7-1
Hydraulic Cylinder and Hose Assembly**

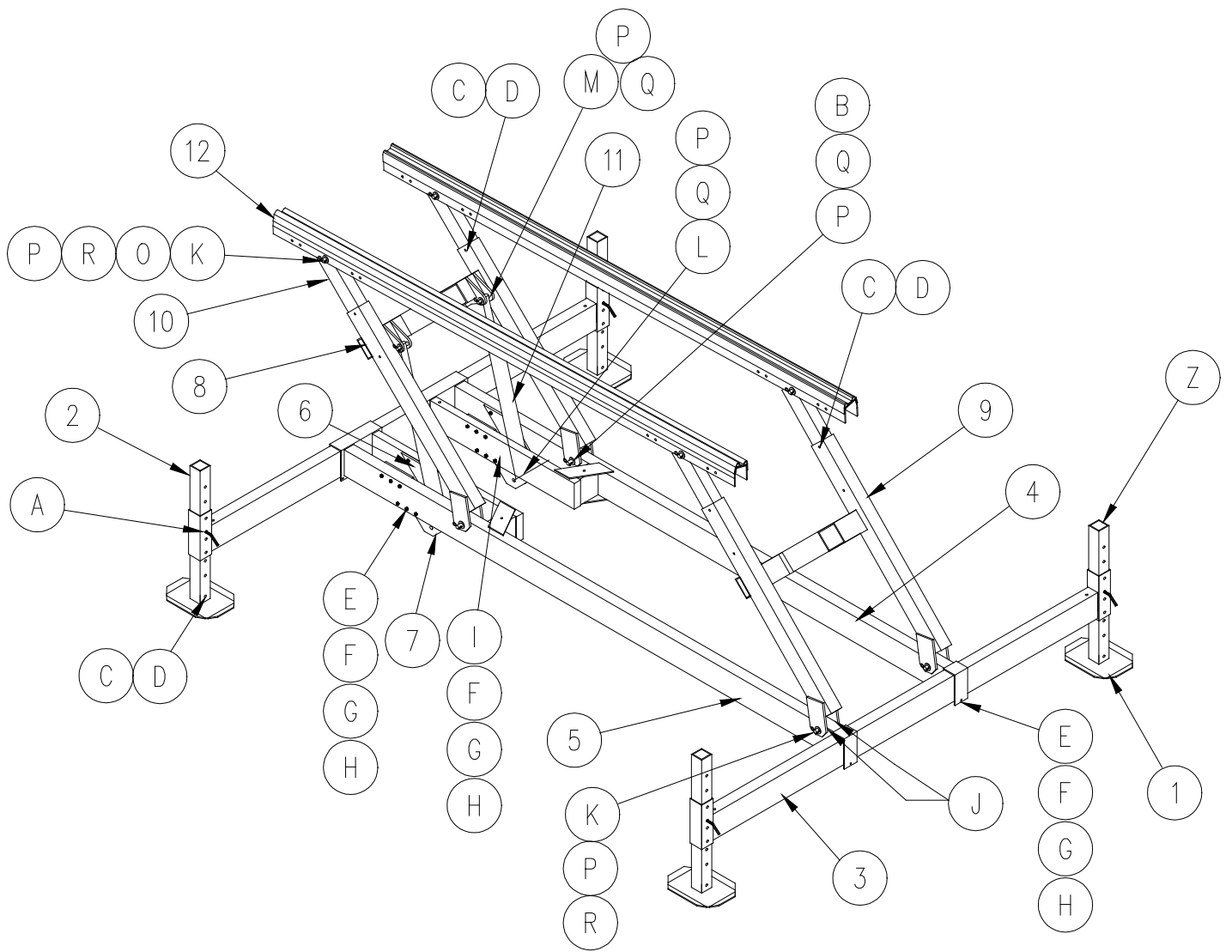


Figure 7-2
Complete Hydraulic Lift Assembly