

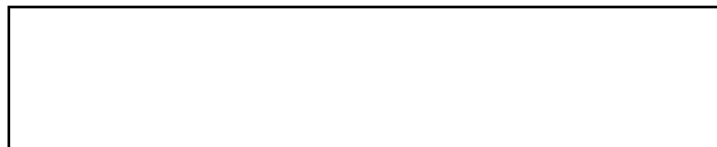
# PARTS MANUAL



**WHISPERWATT™ SERIES  
MODEL DCA125SSIU4F  
60HZ GENERATOR  
(ISUZU BR-4HK1X DIESEL ENGINE)**

**PARTS LIST NO. M3831300414K**

Revision #6 (04/19/22)



**THIS MANUAL MUST ACCOMPANY THE EQUIPMENT AT ALL TIMES.**

## **DCA125SSIU4F 60Hz Generator**

Explanation Of Code In Remarks Column.....	4
Suggested Spare Parts .....	5

### **Component Drawings**

Generator Assembly .....	6–7
Control Box Assembly .....	8–11
Control Panel Assembly .....	12–13
Selector Switch Assembly .....	14–15
Engine And Radiator 1 Assembly .....	16–19
Engine And Radiator 2 Assembly .....	20–21
Output Terminal Assembly .....	22–25
Battery Assembly.....	26–27
Catalytic Exhaust Filter Assembly .....	28–33
Fuel Tank Assembly.....	34–35
Enclosure Assembly .....	36–43
Rubber Seals Assembly .....	44–45
Nameplate And Decals Assembly .....	46–49

#### **NOTICE**

Specifications and part numbers are subject to change without notice.

# EXPLANATION OF CODE IN REMARKS COLUMN

The following section explains the different symbols and remarks used in the Parts section of this manual. Use the help numbers found on the back page of the manual if there are any questions.

## NOTICE

The contents and part numbers listed in the parts section are subject to change **without notice**. Multiquip does not guarantee the availability of the parts listed.

## SAMPLE PARTS LIST

NO.	PART NO.	PART NAME	QTY.	REMARKS
1	12345	BOLT .....	1	INCLUDES ITEMS W/%
2%		WASHER, 1/4 IN. ....		NOT SOLD SEPARATELY
2%	12347	WASHER, 3/8 IN. ...	1	MQ-45T ONLY
3	12348	HOSE .....	A/R	MAKE LOCALLY
4	12349	BEARING .....	1	S/N 2345B AND ABOVE

## NO. Column

**Unique Symbols** — All items with same unique symbol (@, #, +, %, or >) in the number column belong to the same assembly or kit, which is indicated by a note in the “Remarks” column.

**Duplicate Item Numbers** — Duplicate numbers indicate multiple part numbers, which are in effect for the same general item, such as different size saw blade guards in use or a part that has been updated on newer versions of the same machine.

## NOTICE

When ordering a part that has more than one item number listed, check the remarks column for help in determining the proper part to order.

## PART NO. Column

**Numbers Used** — Part numbers can be indicated by a number, a blank entry, or TBD.

TBD (To Be Determined) is generally used to show a part that has not been assigned a formal part number at the time of publication.

A blank entry generally indicates that the item is not sold separately or is not sold by Multiquip. Other entries will be clarified in the “Remarks” Column.

## QTY. Column

**Numbers Used** — Item quantity can be indicated by a number, a blank entry, or A/R.

A/R (As Required) is generally used for hoses or other parts that are sold in bulk and cut to length.

A blank entry generally indicates that the item is not sold separately. Other entries will be clarified in the “Remarks” Column.

## REMARKS Column

Some of the most common notes found in the “Remarks” Column are listed below. Other additional notes needed to describe the item can also be shown.

**Assembly/Kit** — All items on the parts list with the same unique symbol will be included when this item is purchased.

Indicated by:

“INCLUDES ITEMS W/(unique symbol)”

**Serial Number Break** — Used to list an effective serial number range where a particular part is used.

Indicated by:

“S/N XXXXX AND BELOW”

“S/N XXXX AND ABOVE”

“S/N XXXX TO S/N XXX”

**Specific Model Number Use** — Indicates that the part is used only with the specific model number or model number variant listed. It can also be used to show a part is NOT used on a specific model or model number variant.

Indicated by:

“XXXXX ONLY”

“NOT USED ON XXXX”

**“Make/Obtain Locally”** — Indicates that the part can be purchased at any hardware shop or made out of available items. Examples include battery cables, shims, and certain washers and nuts.

**“Not Sold Separately”** — Indicates that an item cannot be purchased as a separate item and is either part of an assembly/kit that can be purchased, or is not available for sale through Multiquip.

## SUGGESTED SPARE PARTS

### DCA125SSIU4F 60HZ GENERATOR WITH ISUZU BR-4HK1X DIESEL ENGINE

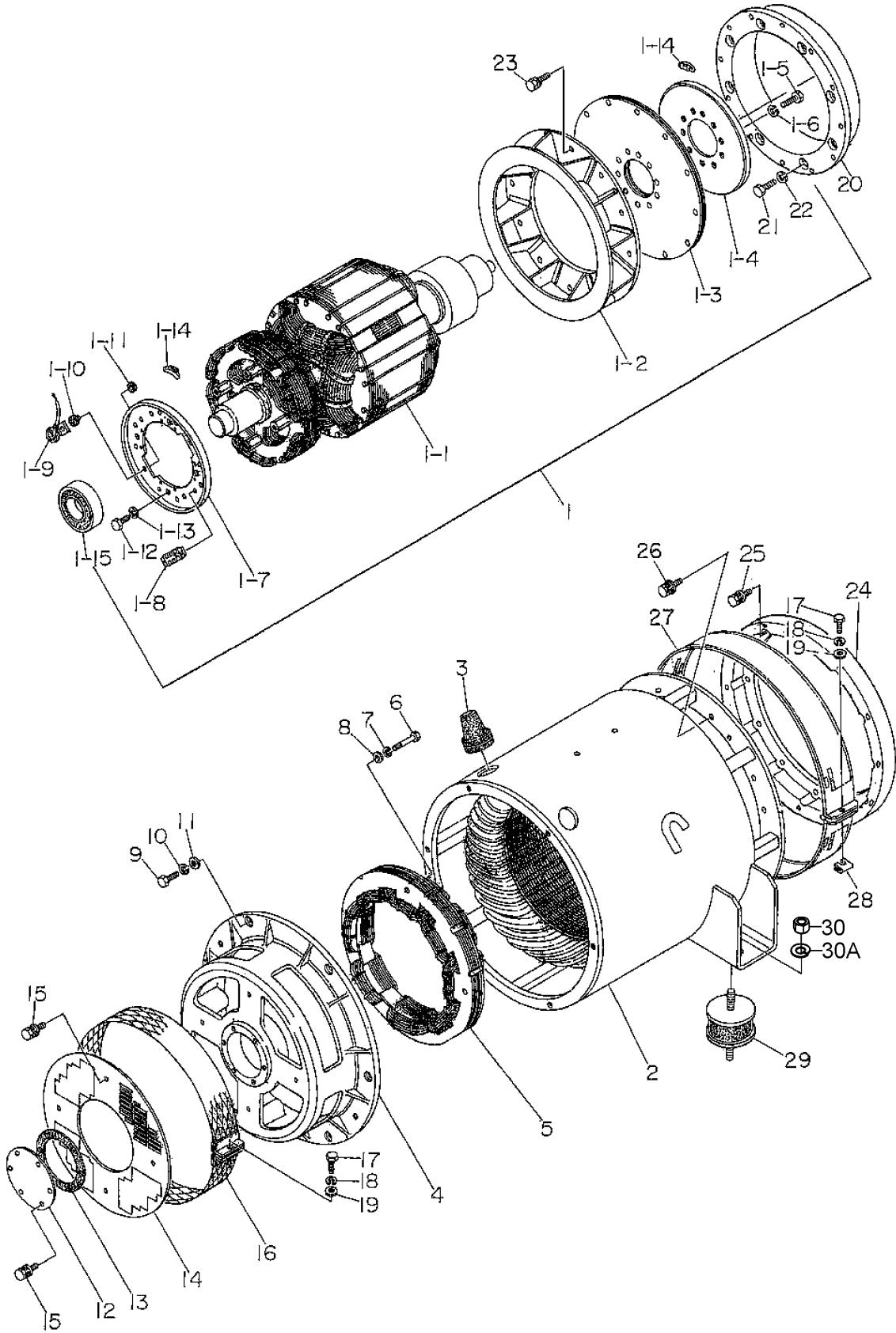
#### 1 to 3 units

Qty.	P/N	Description
1	M3311500803	RADIATOR HOSE, UPPER
1	M3311500903	RADIATOR HOSE, LOWER
5	1132402322	CARTRIDGE OIL FILTER
5	8983129150	FUEL FILTER (MAIN)
5	8983129180	FUEL FILTER ELEMENT, MAIN
5	8980758553	FUEL FILTER (PRE)
5	8980742881	FUEL FILTER ELEMENT, PRE
5	8980714010	FUEL FEED PUMP FILTER
2	0605505070	FUEL TANK CAP
5	Y0602046645	ELEMENT, AIR CLEANER, PRIMARY
5	P821963	ELEMENT, AIR CLEANER, SECONDARY
1	8981694030	DEF FILTER ELEMENT
1	0602103092	LAMP, ALARM RED
1	8980627130	FAN BELT
1	06018088003	CIRCUIT BREAKER, 1P 20A
1	0601808804	CIRCUIT BREAKER, 2P 50A
1	LY2DUS12VDC	RELAY
2	0601806671	FUSE, 15A
2	0601802149	FUSE, 10A
2	0601802133	FUSE, 5A
2	Y0601806046	FUSE, 20A
2	0601806644	FUSE, 30A
2	0601806640	FUSE, 65A
2	Y0601806045	FUSE, 10A

#### NOTICE

Part numbers on this Suggested Spare Parts list may supersede/replace the part numbers shown in the following parts lists.

# GENERATOR ASSY.



## GENERATOR ASSY.

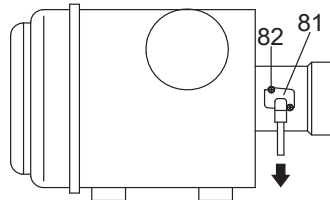
<u>NO.</u>	<u>PART NO.</u>	<u>PART NAME</u>	<u>QTY.</u>	<u>REMARKS</u>
1	C0110001002	ROTOR ASSEMBLY .....	1.....	INCLUDES ITEMS W/\$
1-1\$		FIELD ASSEMBLY	1	
1-2\$	8131070013	FAN	1	
1-3\$	8131611014	COUPLING DISK	8	
1-4\$	8131015003	BALANCING PLATE .....	1.....	PURCHASE ITEM 1-14 AS A SET
1-5\$	0012112035	HEX. HEAD BOLT	10	
1-6\$	0042612000	WASHER, LOCK	10	
1-7\$	8101026013	SET PLATE, RECTIFIER.....	1.....	PURCHASE ITEM 1-14 AS A SET
1-8\$	0601821349	RECTIFIER	2	
1-9\$	0601822601	SURGE ABSORBER	1	
1-10\$	8001020004	INSULATOR WASHER	1	
1-11\$	8001020504	INSULATOR WASHER	1	
1-12\$	012210020	HEX. HEAD BOLT .....	4.....	REPLACES P/N 0010110020
1-13\$	0040010000	WASHER, LOCK	4	
1-14\$	0601000209	BALANCING WEIGHT KIT	1	
1-15\$	0071906312	BEARING	1	
2	C0130000503	STARTOR ASSY.	1	
3	0845041804	GROMMET	2	
4	8131315202	END BRACKET	1	
5	8101350013	FIELD ASSY., EXCITER	1	
6	0012110060	HEX. HEAD BOLT	4	
7	0042610000	WASHER, LOCK	4	
8	031110160	WASHER, FLAT .....	4.....	REPLACES P/N 0041210000
9	0010112035	HEX. HEAD BOLT	6	
10	0040012000	WASHER, LOCK	6	
11	031112230	WASHER, FLAT .....	6.....	REPLACES P/N 0041212000
12	8131310104	COVER, BEARING	1	
13	8131312204	GASKET, BEARING	1	
14	8131331003	COVER, END BRACKET	1	
15	0105050616	HEX. HEAD BOLT .....	10.....	REPLACES P/N 0017106012
16	8101333003	COVER, END BRACKET	1	
17	0010006030	HEX. HEAD BOLT .....	2.....	REPLACES P/N 0010106030
18	0040006000	WASHER, LOCK	2	
19	952404470	WASHER, FLAT .....	2.....	REPLACES P/N 0041206000
20\$	M3163400503	COUPLING RING	1	
21\$	0010310075	HEX. HEAD BOLT	8	
22\$	030210250	WASHER, LOCK.....	8.....	REPLACES P/N 0042510000
23\$	012010030	HEX. HEAD BOLT .....	12.....	REPLACES P/N 0012810030
24	M3163600003	COUPLING ADAPTER	1	
25	012010030	HEX. HEAD BOLT .....	12.....	REPLACES P/N 0012810030
26	012010030	HEX. HEAD BOLT .....	12.....	REPLACES P/N 0012810030
27	8131332014	COVER, FAN	1	
28	020106050	NUT.....	1.....	REPLACES P/N 0600815000
29	0605000063	RUBBER SUSPENSION	2	
30	0030016000	HEX. NUT	2	
30A	0040016000	WASHER, LOCK	2	



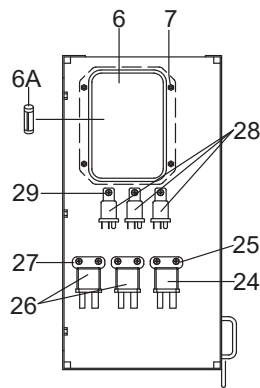
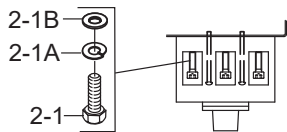
## CONTROL BOX ASSY.

<u>NO.</u>	<u>PART NO.</u>	<u>PART NAME</u>	<u>QTY.</u>	<u>REMARKS</u>
1	M3214000602	CONTROL BOX	1	
1-1	Y0411100670	EDGING	1	
1-2	Y0411100220	EDGING	2	
2	0601808823	CIRCUIT BREAKER, 3P 300A, 12VDC	1	
2-1	0342604120	HEX. SOCKET HEAD CAP SCREW	6	
2-1A	EM923344	WASHER, LOCK.....	6.....	REPLACES P/N 0043604000
2-1B	031110160	WASHER, FLAT .....	6.....	REPLACES P/N 0041210000
3	0021006080	MACHINE SCREW	4	
4	0601823863	RELAY UNIT	2	
5	0027104015	MACHINE SCREW	4	
6	Y0601820638	AUTOMATIC VOLTAGE REGULATOR.....	1.....	INCLUDES ITEMS W/#
6A#	Y0601806683	FUSE, 250V 8A	1	
7	0027105015	MACHINE SCREW	4	
8	Y0601809694	CURRENT TRANSFORMER, 200/5A	3	
9	011808015	MACHINE SCREW .....	6.....	REPLACES P/N 0027106015
10	Y0601820843	OVER CURRENT RELAY	1	
11	Y0601820844	OVER CURRENT RELAY	1	
12	0027104020	MACHINE SCREW	2	
12A	OEMAA8	SELF-LOCKING NUT .....	2.....	REPLACES P/N 0207004000
13	Y0601802214	HOLDER, FUSE 6P	1	
13A	0601806671	FUSE, 15A.....	3.....	S/N 7511240 AND BELOW
13A	0601806671	FUSE, 15A.....	2.....	S/N 7511241 AND ABOVE
13A	0601806653	FUSE, 20A.....	1.....	S/N 7511241 AND ABOVE
13B	0601802149	FUSE, 10A	2	
13C	0601802133	FUSE, 5A	1	
14	0027103020	MACHINE SCREW	2	
15	LY2DUS12VDC	RELAY .....	3.....	REPLACES P/N 0601827656
15A	PTF08A	BASE .....	3.....	REPLACES P/N 0601823109
15B	PYCA1	CLIP.....	6.....	REPLACES P/N 0601824400
16	0027104020	MACHINE SCREW	6	
17	0601815153	TERMINAL BLOCK	1	
18	0027104020	MACHINE SCREW	2	
19	011008020	HEX. HEAD BOLT.....	1.....	REPLACES P/N 0016908020
19A	Y0040501000	TOOTHED WASHER	1	
20	0601812626	PLUG	2	
21	0601812712	PINS	4	
22	0601821370	RECTIFIER.....	1.....	REPLACES P/N 0601823240
23	0027104020	MACHINE SCREW	1	
24	8944001061	RELAY, STARTER.....	1.....	REPLACES P/N 8942481610
25	011808015	MACHINE SCREW.....	2.....	REPLACES P/N 0027106015
26	8970119490	RELAY .....	2.....	REPLACES P/N 0602202685
27	011808015	MACHINE SCREW .....	4.....	REPLACES P/N 0027106015
28	5825500290	RELAY .....	4.....	REPLACES P/N 0602201400
29	0027105015	MACHINE SCREW	4	

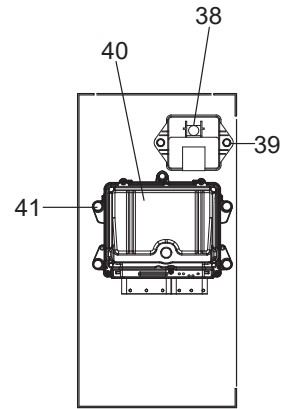
# CONTROL BOX ASSY. (CONT'D.)



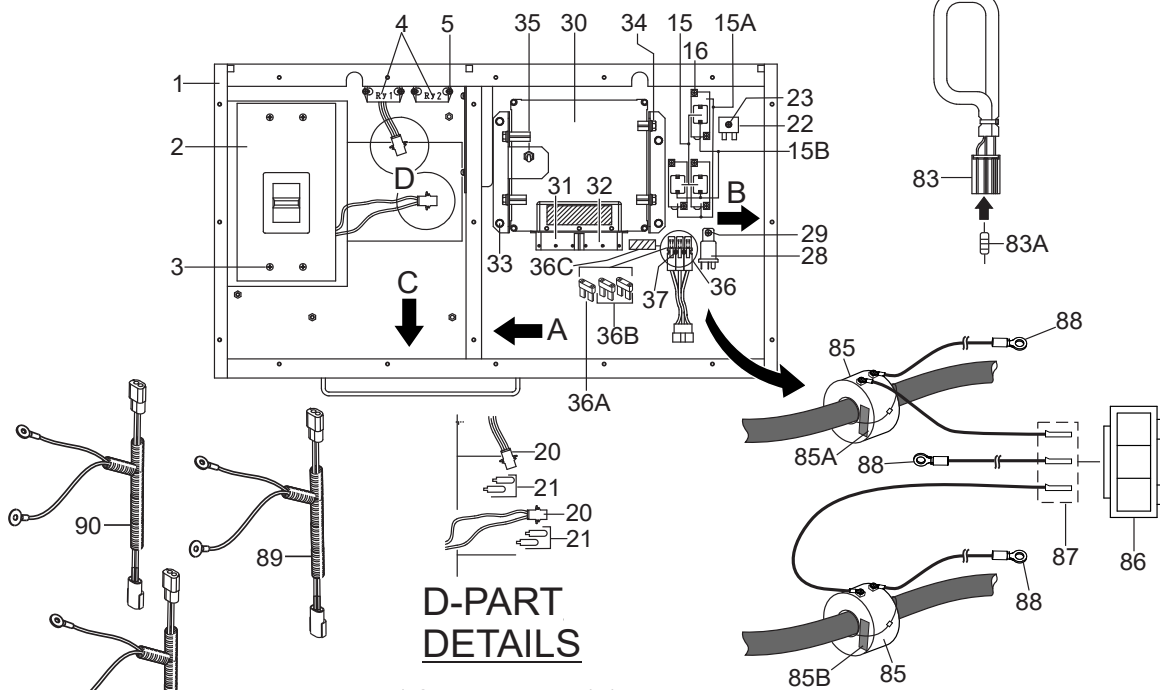
**AIR CLEANER**



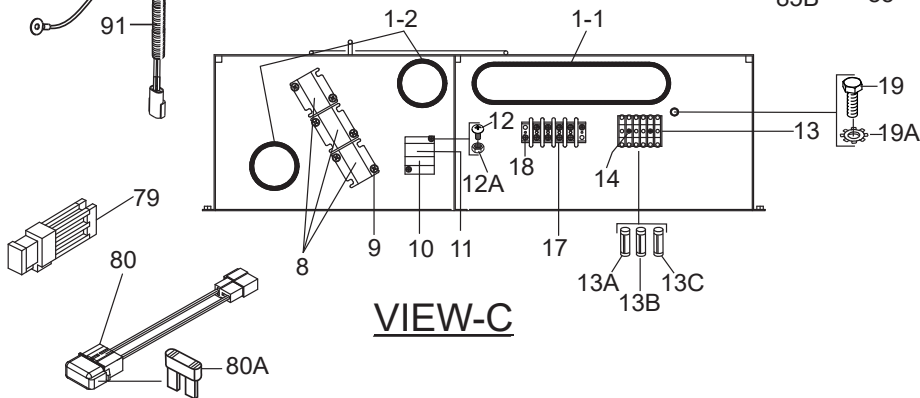
**VIEW-A**



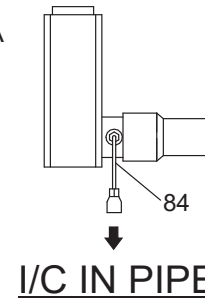
**VIEW-B**



**D-PART  
DETAILS**



**VIEW-C**

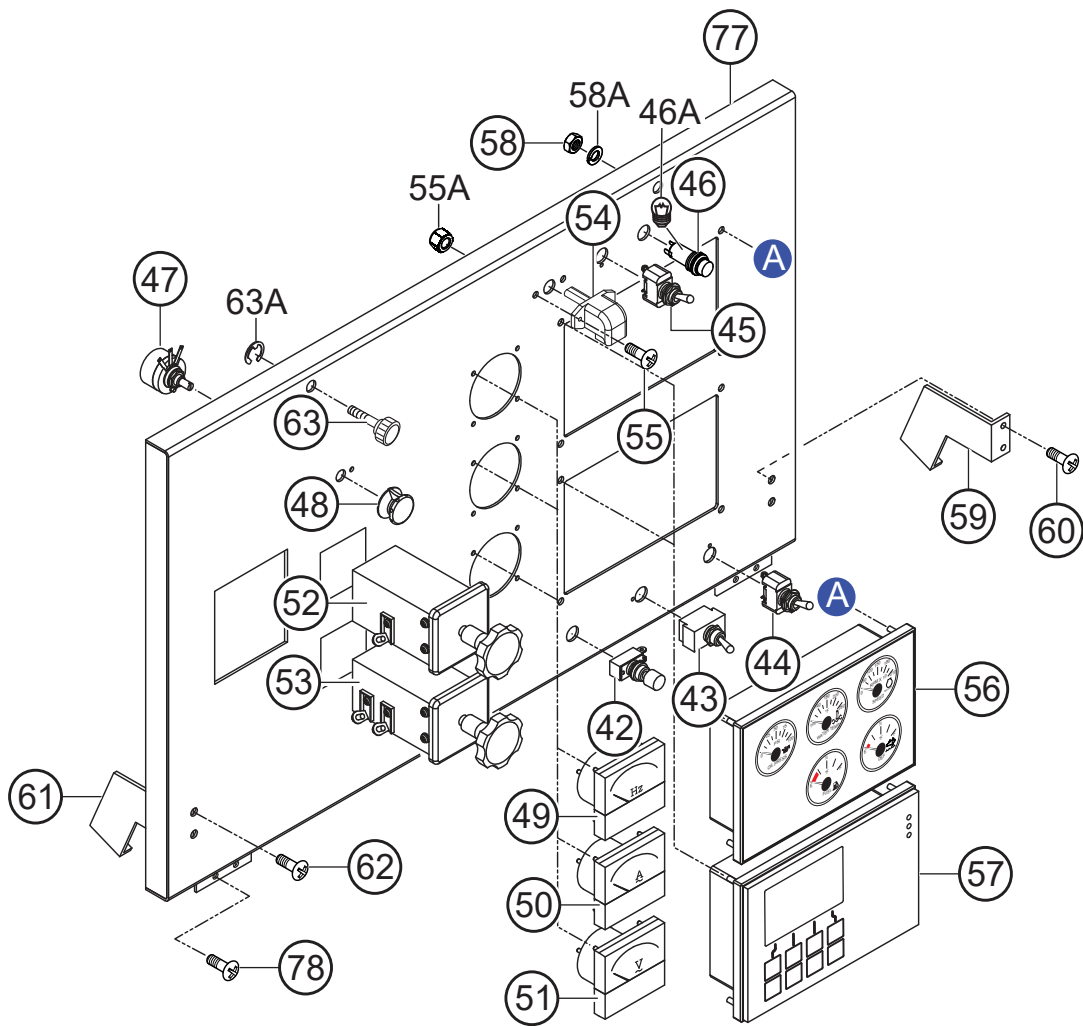


**I/C IN PIPE**

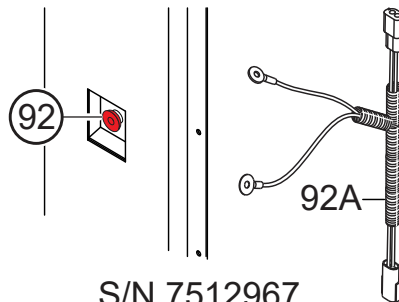
## CONTROL BOX ASSY. (CONT'D.)

<u>NO.</u>	<u>PART NO.</u>	<u>PART NAME</u>	<u>QTY.</u>	<u>REMARKS</u>
30	8982995490	CONTROLLER .....	1	REPLACES P/N Y0602203011 S/N 7511240 AND BELOW
30	8983274120	CONTROLLER .....	1	REPLACES P/N Y0602203012 S/N 7511241 AND ABOVE
31	M3352600104	SET PANEL, CONTROLLER	1	
32	M3352600004	SET PANEL, CONTROLLER	1	
33	0016906015	HEX. HEAD BOLT	4	
34	011008020	HEX. HEAD BOLT .....	4	REPLACES P/N 0016908020
35	0601830762	TOGGLE SWITCH	1	
36	M3214600904	FUSE BOX ASSY.....	1	INCLUDES ITEMS W/\$
36A\$	Y0601806046	FUSE, 20A	1	
36B\$	0601806644	FUSE, 30A	2	
36C	M9501400404	DECAL; FUSE HOLDER.....	1	M90140040
37	Y0027203035	MACHINE SCREW	2	
38	8982454051	DOSING CONTROL UNIT.....	1	REPLACES P/N Y0602203021 S/N 7511240 AND BELOW
38	8983274130	DOSING CONTROL UNIT.....	1	REPLACES P/N Y0602203022 S/N 7511241 AND ABOVE
39	011208030	HEX. HEAD BOLT .....	4	REPLACES P/N 0017108030
40	8981331241	TURBO CONTROLLER.....	1	REPLACES P/N Y0602203030
41	011206020	HEX. HEAD BOLT .....	2	REPLACES P/N Y0016906020
79	0601806640	FUSE, 65A	1	
80	C3558201704	UNIT, FUSE HOLDER .....	1	REPLACES P/N M2357202104 INCLUDES ITEMS W/%
80A%	Y0601806045	FUSE, 10A	1	
81	8976019670	MAF SENSOR .....	1	REPLACES P/N Y0602047050
82	0027104015	MACHINE SCREW	2	
83	M2267600004	RESISTOR ASSY.....	1	INCLUDES ITEMS W/@
83A@	Y0601842146	RESISTOR	1	
84	8973811820	I/C IN TEMP. SENSOR.....	1	REPLACES P/N Y0602015800
85	Y0601872914	CURRENT TRANSFORMER.....	2	S/N 7512056 AND ABOVE
85A	M9521001604	DECAL; CT4 .....	1	S/N 7512056 AND ABOVE
85B	M9521001704	DECAL: CT5 .....	1	S/N 7512056 AND ABOVE
86	Y0601813924	PLUG .....	1	S/N 7512056 AND ABOVE
87	0601812711	PINS.....	3	S/N 7512056 AND ABOVE
88	Y0601815586	ROUND TERMINAL.....	3	S/N 7512056 AND ABOVE
89	M3247701404	WIRE HARNESS, GENERATOR .....	1	S/N 7512055 AND BELOW
89	M3247703404	WIRE HARNESS, GENERATOR .....	1	S/N 7512056 AND ABOVE
90	M3358201102	WIRE HARNESS, ENGINE	1	
91	M3358200804	WIRE HARNESS, CONTROLLER.....	1	S/N 7511240 AND BELOW
91	M3358200814	WIRE HARNESS, CONTROLLER.....	1	S/N 7511241 AND ABOVE

# CONTROL PANEL ASSY.



## REAR FRAME

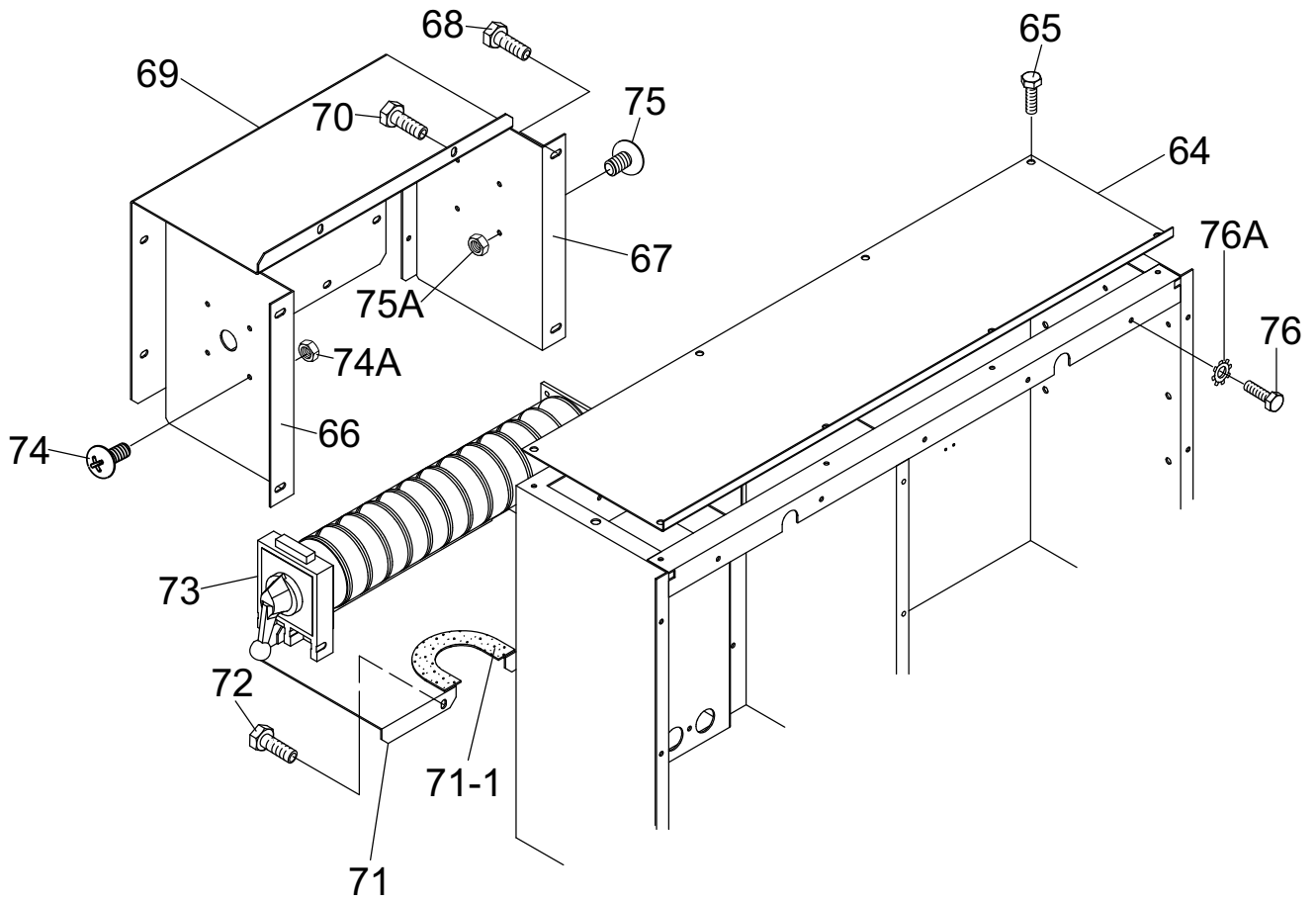


S/N 7512967  
AND ABOVE

## CONTROL PANEL ASSY.

<u>NO.</u>	<u>PART NO.</u>	<u>PART NAME</u>	<u>QTY.</u>	<u>REMARKS</u>
42	0601831205	PUSH BUTTON SWITCH	1	
43	82608	TOGGLE SWITCH.....	1.....	REPLACES P/N 0601831340
44	0601830710	ENGINE SPEED SWITCH	1	
45	0601830710	PANEL LIGHT SWITCH	1	
46	0602103092	LAMP, ALARM RED.....	1.....	S/N 7512742 AND BELOW
46	0601814453	LED LAMP.....	1.....	S/N 7512743 AND ABOVE
46A	0601810277	BULB.....	1.....	S/N 7512742 AND BELOW
47	0601840073	RHEOSTAT, VOLTAGE REGULATOR	1	
48	0601840100	KNOB.....	1.....	REPLACES P/N 0601840121
49	Y0601807631	FREQUENCY METER, 240V 45~65HZ.....	1.....	S/N 7511575 AND BELOW
49	0601807641	FREQUENCY METER, 240V 45~65HZ.....	1.....	S/N 7511576 AND ABOVE
50	Y0601817035	AC AMMETER, 0~200A/400A:5A.....	1.....	S/N 7511575 AND BELOW
50	0601808988	AC AMMETER, 0~200A/400A:5A.....	1.....	S/N 7511576 AND ABOVE
51	0601806947	AC VOLTMETER, AC 600V.....	1.....	S/N 7511575 AND BELOW
51	0601806859	AC VOLTMETER, AC 600V.....	1.....	S/N 7511576 AND ABOVE
52	0601801040	CHANGE-OVER SWITCH, AMMETER	1	
53	0601801041	CHANGE-OVER SWITCH, VOLTMETER	1	
54	Y0601810170	PANEL LIGHT, 12V	1	
55	0027104020	MACHINE SCREW	2	
55A	OEMAA8	SELF-LOCKING NUT.....	2.....	REPLACES P/N 0207004000
56	Y0602120569	GAUGE UNIT ASSY.....	1.....	S/N 7512055 AND BELOW
56	Y0602120901	GAUGE UNIT ASSY. ECU-670.....	1.....	S/N 7512056 AND ABOVE
57	Y0602203040	CONTROLLER, 835.....	1.....	S/N 7512055 AND BELOW
57	Y0602203071	CONTROLLER, 845.....	1.....	S/N 7512056 AND ABOVE
58	Y0206707000	HEX. NUT	8	
58A	Y0044807000	WASHER, LOCK	8	
59	M1223100004	STOPPER	1	
60	0027105015	MACHINE SCREW	2	
61	M3223100004	STOPPER	1	
62	0027105015	MACHINE SCREW	2	
63	M9220100004	SET SCREW	2	
63A	0080200007	E-SNAP RING	2	
77	M3224000203	CONTROL PANEL	1	
78	0027105015	MACHINE SCREW	4	
92	Y0601831953	EMERGENCY STOP BUTTON.....	1.....	S/N 7512967 AND ABOVE
92A	M3358202204	E-STOP WIRE HARNESS.....	1.....	S/N 7512967 AND ABOVE

# SELECTOR SWITCH ASSY.



## SELECTOR SWITCH ASSY.

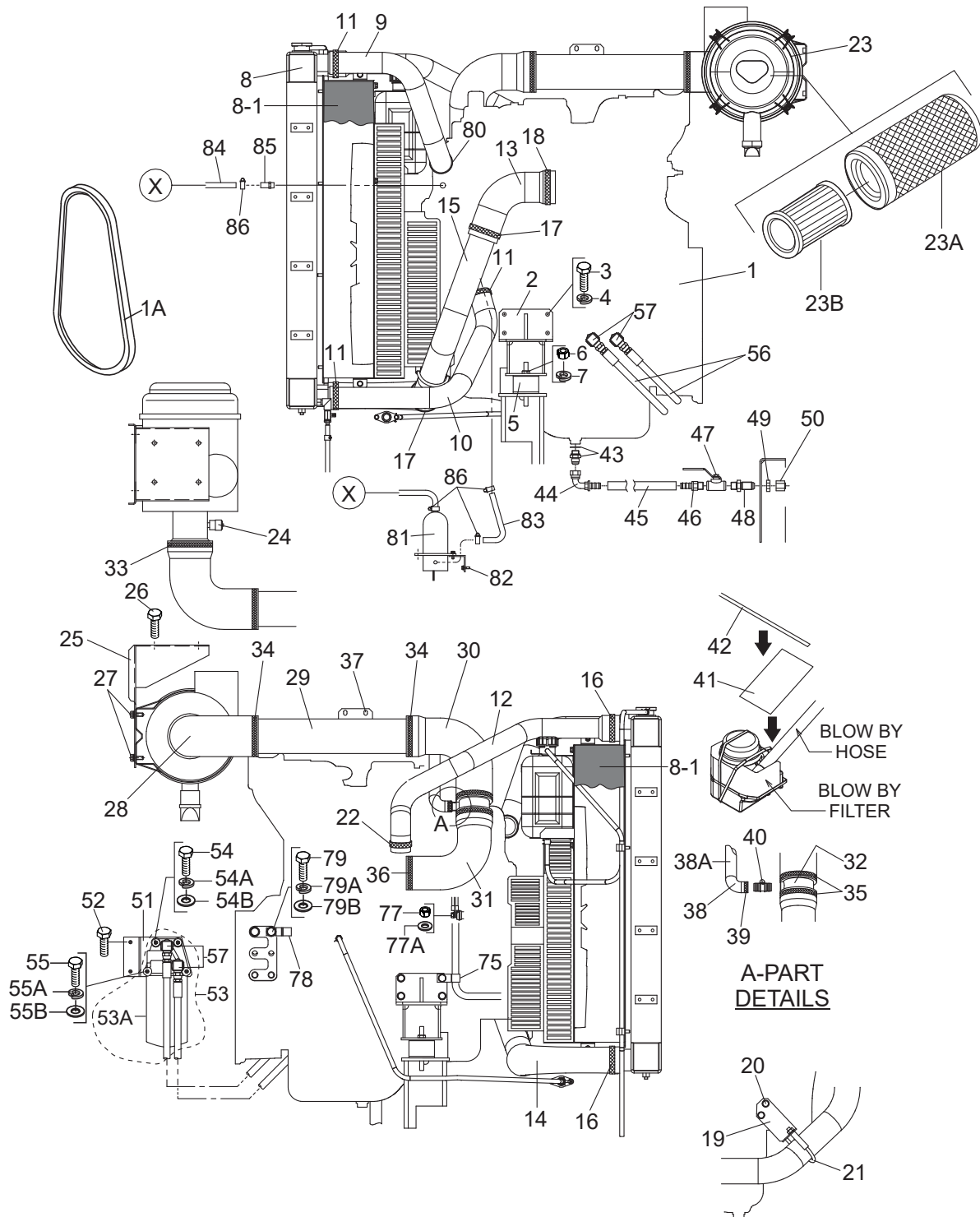
<u>NO.</u>	<u>PART NO.</u>	<u>PART NAME</u>	<u>QTY.</u>	<u>REMARKS</u>
64	M3213500904	CONTROL BOX COVER	1	
65	0016906015	HEX. HEAD BOLT	8	
66	M3213602704	SWITCH BRACKET	1	
67	M3213602804	SWITCH BRACKET	1	
68	0016906015	HEX. HEAD BOLT	6	
69	M3214600604	SWITCH COVER	1	
70	0016906015	HEX. HEAD BOLT	6	
71	M3214600704	SWITCH COVER	1	
71-1	0317700180	WEATHER STRIP	1	
72	0016906015	HEX. HEAD BOLT	4	
73	M3270100404	SELECTOR SWITCH	1	
74	0027104035	MACHINE SCREW	4	
74A	OEMAA8	HEX. NUT .....	4	REPLACES P/N 0207004000
75	0027104015	MACHINE SCREW	4	
75A	OEMAA8	HEX. NUT .....	4	REPLACES P/N 0207004000
76	0016906015	HEX. HEAD BOLT	19	
76A	0040506000	TOOTHED WASHER	1	



## ENGINE AND RADIATOR 1 ASSY.

<u>NO.</u>	<u>PART NO.</u>	<u>PART NAME</u>	<u>QTY.</u>	<u>REMARKS</u>
1	M3924200104	ENGINE, ISUZU BR-4HK1X.....	1.....	S/N 7511240 AND BELOW INCLUDES ITEMS W/#
1	M3924200134	ENGINE, ISUZU BR-4HK1X.....	1.....	S/N 7511241 AND ABOVE INCLUDES ITEMS W/\$
1A#\$	8980627130	FAN BELT .....	1.....	REPLACES P/N 0602015253
2	M3303200603	ENGINE FOOT	2	
3	Y001030025	HEX. HEAD BOLT	8	
4	030210250	WASHER, LOCK.....	6.....	REPLACES P/N 0042510000
5	Y0605000402	RUBBER SUSPENSION	2	
6	0030012000	HEX. NUT	2	
7	0040012000	WASHER, LOCK	2	
8	Y0602012920	RADIATOR AND INTER-COOLER	1	
8A	Y0602015731	CAP, RADIATOR	1	
8B	M3494105904	ACOUSTIC SHEET	2	
9	M3311500803	RADIATOR HOSE, UPPER	1	
10	M3311500903	RADIATOR HOSE, LOWER	1	
11	0605515148	HOSE BAND	3	
12	M3311501003	COOLER HOSE.....	1.....	S/N 7513116 AND BELOW
12	M3311400503	COOLER PIPE.....	1.....	S/N 7513117 AND ABOVE
13	M3311501104	COOLER HOSE	1	
14	M3311501204	INTER COOLER HOSE	1	
15	M3311400304	INTER COOLER PIPE	1	
16	0605515236	HOSE BAND	2	
17	0605515214	HOSE BAND	2	
18	Y0605515038	HOSE BAND	1	
19	M3314300204	BRACKET, INTER COOLER	1	
20	0016910025	HEX. HEAD BOLT	2	
21	0602326060	U-BOLT	1	
22	0605515207	HOSE BAND.....	1.....	S/N 7513116 AND BELOW
23	Y0602046579	AIR CLEANER.....	1.....	INCLUDES ITEMS W/%
23A%	Y0602046645	ELEMENT, AIR CLEANER, PRIMARY	1	
23B%	P821963	ELEMENT, AIR CLEANER, SECONDARY .....	1.....	REPLACES P/N Y0602046646
24	0602040650	AIR CLEANER INDICATOR	1	
25	M3374200204	BRACKET, AIR CLEANER	1	
26	0016910025	HEX. HEAD BOLT	4	
27	0016910025	HEX. HEAD BOLT	4	
28	M3374100203	HOSE, AIR CLEANER	1	
29	M3374000404	PIPE, AIR CLEANER	1	
30	M3374100303	HOSE, AIR CLEANER	1	
31	M3374100403	HOSE, AIR CLEANER	1	
32	M3327100004	BLOWBY PIPE	1	
33	Y0605515231	HOSE BAND	1	
34	0605515197	HOSE BAND	2	
35	0605515225	HOSE BAND	2	
36	0605515141	HOSE BAND	1	
37	011008020	HEX. HEAD BOLT.....	2.....	REPLACES P/N 0016908020
38	M3327200203	BLOWBY PIPE	1	
38A	Y0378500800	AEROFLEX TUBE	1	
39	0605515134	HOSE BAND	2	

# ENGINE AND RADIATOR 1 ASSY. (CONT'D.)



## ENGINE AND RADIATOR 1 ASSY. (CONT'D.)

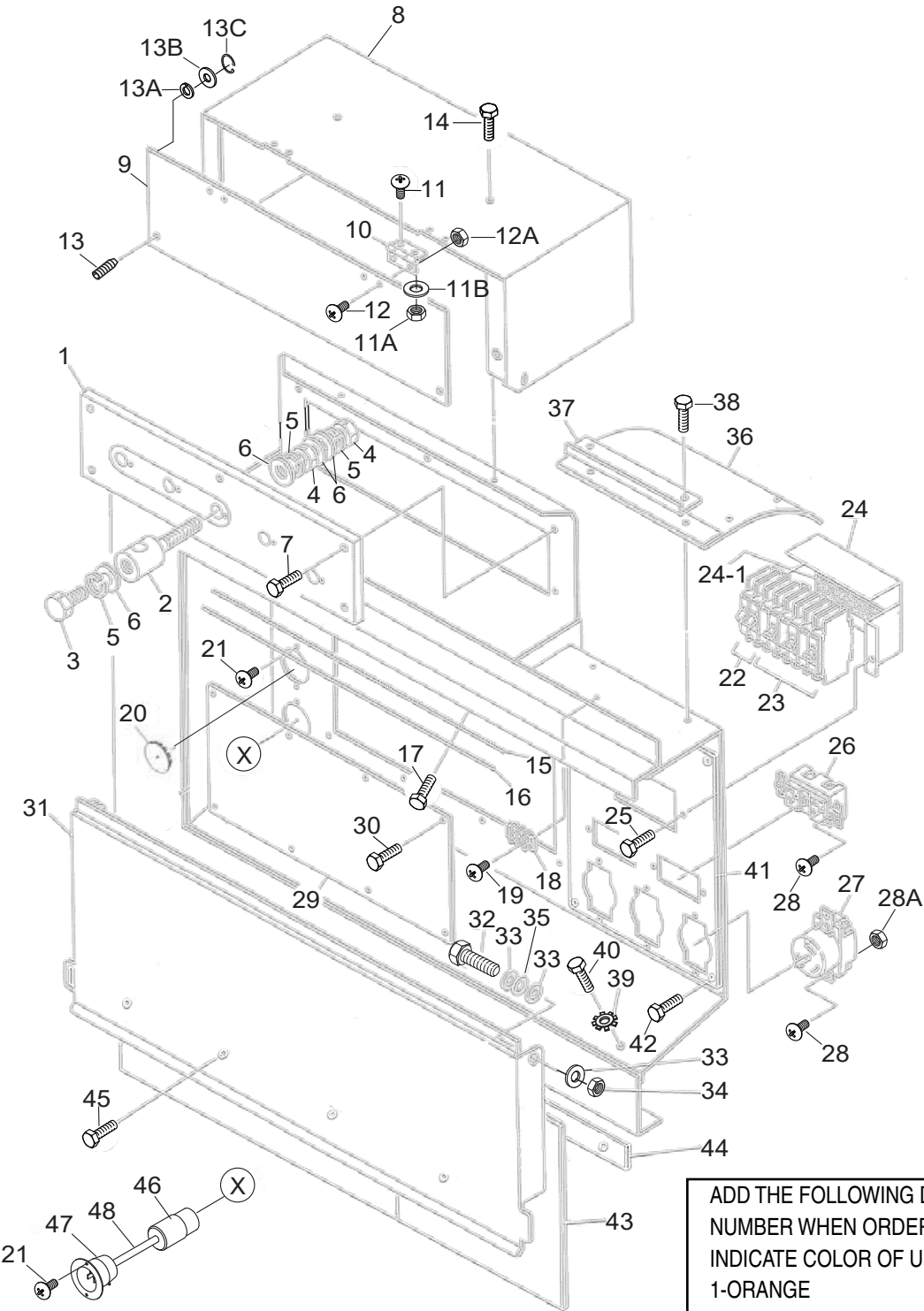
<u>NO.</u>	<u>PART NO.</u>	<u>PART NAME</u>	<u>QTY.</u>	<u>REMARKS</u>
40	8981924670	PCV HEATER .....	1.....	REPLACES P/N Y0602044300
41	8983093870	BREATHER HOSE INSULATOR.....	1.....	REPLACES P/N Y0602044400
42	5097070301	BREATHER HOSE CLIP .....	1.....	REPLACES P/N Y0602044401
43	0602022581	ADAPTER	1	
44	0602022561	90° ELBOW.....	1.....	S/N 7512833 AND BELOW
45	Y0269200650	DRAIN HOSE.....	1.....	S/N 7512833 AND BELOW
45	M3321100004	DRAIN HOSE.....	1.....	S/N 7512834 AND ABOVE
46	0603306395	HOSE JOINT .....	1.....	S/N 7512833 AND BELOW
47	0605511395	VALVE	1	
48	0603306590	CONNECTOR	1	
49	0603300285	LOCKNUT	1	
50	0602021070	CAP	1	
51	M3323500004	BRACKET, OIL FILTER	1	
52	0016910025	HEX. HEAD BOLT	2	
53	8973243861	OIL FILTER ASSY. ....	1.....	REPLACES P/N 0602041007 INCLUDES ITEMS W/@
53A@	1132402322	CARTRIDGE, OIL FILTER .....	1.....	REPLACES P/N 0602041221
54	Y0010110110	HEX. HEAD BOLT	2	
54A	0040010000	WASHER, LOCK	2	
54B	031110160	WASHER, FLAT .....	2.....	REPLACES P/N 0041210000
55	0010110150	HEX. HEAD BOLT	2	
55A	0040010000	WASHER, LOCK	2	
55B	031110160	WASHER, FLAT .....	2.....	REPLACES P/N 0041210000
56	M3323300004	HOSE, OIL FILTER	2	
57	0602022535	ADAPTER	4	
75	0602220911	CLAMP	4	
77	Y0207008000	SELF LOCK NUT	1	
77A	0401450080	WASHER, FLAT .....	1.....	REPLACES P/N 0041208000
78	M3483600204	CLAMP	4	
79	Y0010116030	HEX. HEAD BOLT	1	
79A	0040016000	WASHER, LOCK	1	
79B	0041216000	WASHER, FLAT	1	
80	Y0605515304	HOSE BAND	1	
81	TPS1016T10000	WATER HEATER .....	1.....	REPLACES P/N 0602014292 S/N 7512056 AND BOVE
82	011606025	HEX. HEAD BOLT .....	2.....	REPLACES P/N 0016906025 S/N 7512056 AND ABOVE
83	Y0269300660	HEATER HOSE.....	1.....	S/N 7512056 AND ABOVE
84	Y0269300850	HEATER HOSE.....	1.....	S/N 7512056 AND ABOVE
85	Y0602222292	HOSE JOINT .....	1.....	S/N 7512056 AND ABOVE
86	0605515198	HOSE BAND.....	4.....	S/N 7512056 AND ABOVE
87	Y0602015621	CAC REDUCER.....	1.....	S/N 7513117 AND ABOVE
88	Y0602015620	CAC HUMP HOSE.....	1.....	S/N 7513117 AND ABOVE
89	0605515237	HOSE BAND.....	1.....	S/N 7513117 AND ABOVE
90	Y0605515205	HOSE BAND.....	1.....	S/N 7513117 AND ABOVE



## ENGINE AND RADIATOR 2 ASSY.

<u>NO.</u>	<u>PART NO.</u>	<u>PART NAME</u>	<u>QTY.</u>	<u>REMARKS</u>
58	M3316100303	BRACKET, RESERVE TANK	1	
59	011008020	HEX. HEAD BOLT .....	3	REPLACES P/N 0016908020
60	0802081003C	RESERVE TANK .....	1	REPLACES P/N M9300000203 INCLUDES ITEMS W/#
60A#	0802010900	CAP, RESERVE TANK .....	1	REPLACES P/N 0602010900
61	0199901500	OVER FLOW HOSE	1	
62	0193601550	HOSE	1	
63	0199901700	HOSE	1	
64	0193600400	HOSE	1	
65	0605515189	HOSE BAND	4	
67	Y0605511394	MINI BALL VALVE	1	
68	Y0605512192	HOSE JOINT	1	
69	7812014003B	DRAIN JOINT .....	1	REPLACES P/N M2320300103
70	0150000018	O-RING	1	
71	0802011104	DRAIN BOLT .....	1	REPLACES P/N M9200200004
72	M9100000204	HOSE JOINT	1	
73	Y0602021731	SEAL WASHER	1	
74	011206020	HEX. HEAD BOLT .....	2	REPLACES P/N 0016906020
75	0602220911	CLAMP	2	
91	M3314300404	I/C PIPE BRACKET .....	1	S/N 7513117 AND ABOVE
92	Y0602326066	U-BOLT .....	1	S/N 7513117 AND ABOVE
93	011606025	HEX HEAD BOLT .....	1	S/N 7513117 AND ABOVE REPLACES P/N 0016906025

# OUTPUT TERMINAL ASSY.



ADD THE FOLLOWING DIGITS AFTER THE PART NUMBER WHEN ORDERING ANY PAINTED PANEL TO INDICATE COLOR OF UNIT:

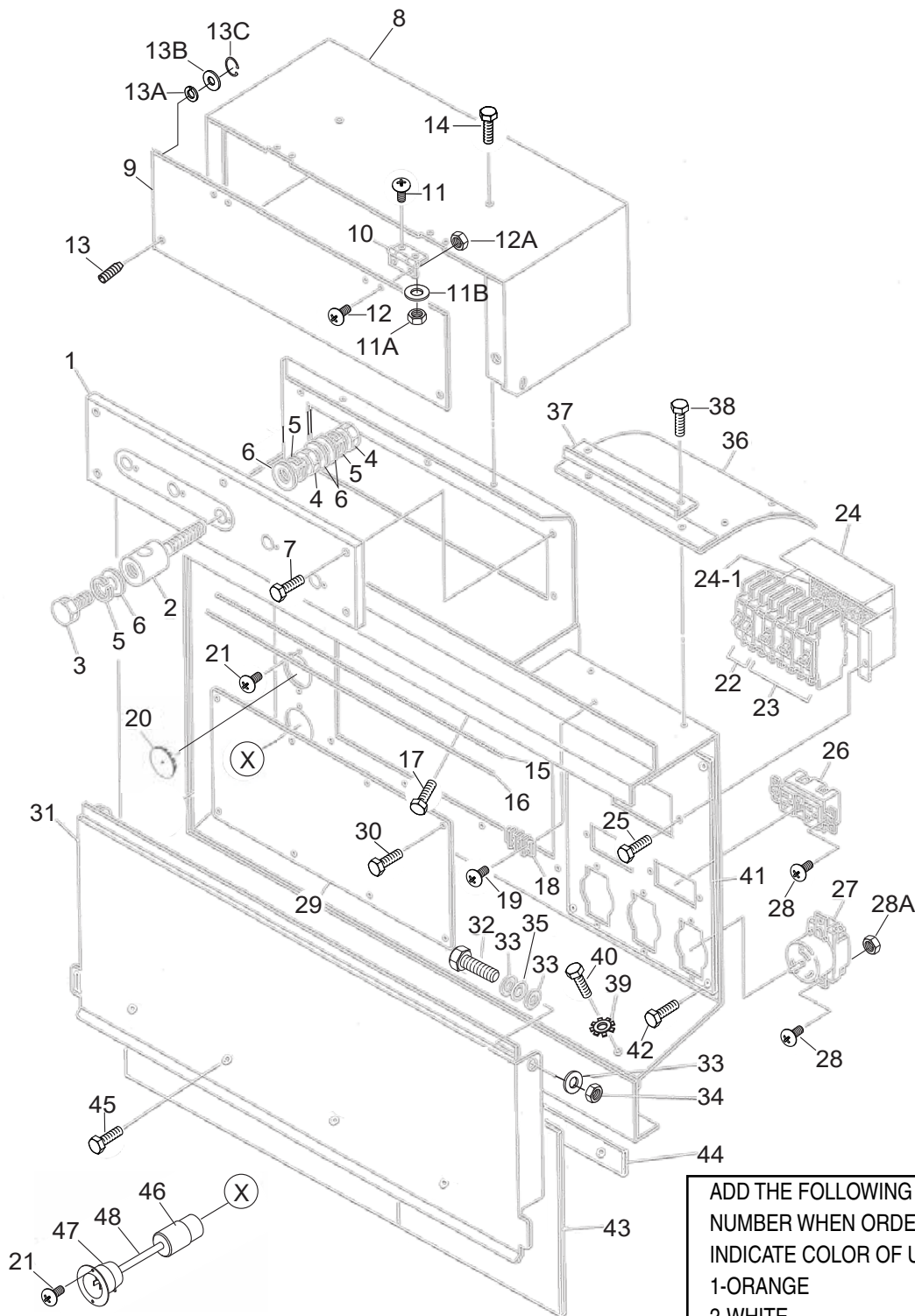
1-ORANGE	6-CATERPILLAR YELLOW
2-WHITE	7-CATO GOLD
3-SPECTRUM GREY	8-RED
4-SUNBELT GREEN	9-DESERT TAN
5-BLACK	

THE SERIAL NUMBER MAY BE REQUIRED.

## OUTPUT TERMINAL ASSY.

<u>NO.</u>	<u>PART NO.</u>	<u>PART NAME</u>	<u>QTY.</u>	<u>REMARKS</u>
1	M3230700003	TERMINAL PANEL	1	
2	M9220100304	OUTPUT TERMINAL BOLT	5	
3	0801830804	TIE BOLT .....	5.....	REPLACES P/N M9220100404
4	0039316000	HEX. NUT	10	
5	0040016000	WASHER, LOCK	15	
6	0401450160	WASHER, FLAT .....	20.....	REPLACES P/N 0041416000
7	0012108035	HEX. HEAD BOLT .....	5.....	REPLACES P/N 0016908035
8	M3236100703	3-PHASE OUTPUT TERMINAL COVER	1	
9	M3236100104	OUTPUT WINDOW	1	
10	0605010040	HINGE	2	
11	0027103010	MACHINE SCREW	4	
11A	0207003000	HEX. NUT .....	4.....	REPLACES P/N 0030003000
11B	0041203000	WASHER, FLAT	4	
12	0027103010	MACHINE SCREW	4	
12A	0207003000	HEX. NUT .....	4.....	REPLACES P/N 0030003000
13	M9220100804	SET SCREW	2	
13A	0040006000	WASHER, LOCK	2	
13B	952404470	WASHER, FLAT .....	2.....	REPLACES P/N 0041206000
13C	0080200005	E-SNAP RING	2	
14	0016906015	HEX. HEAD BOLT	4	
15	M3236400004	RUBBER, CABLE OUTLET COVER	1	
16	M3236300004	SUPPORTER, CABLE OUTLET COVER	1	
17	011206020	HEX. HEAD BOLT .....	6.....	REPLACES P/N 0016906020
18	0601815194	TERMINAL BLOCK	1	
19	0027104015	MACHINE SCREW	2	
20	0603306775	BLIND PLUG.....	2.....	S/N 7512055 AND BELOW
20	0603306775	BLIND PLUG.....	1.....	S/N 7512056 AND ABOVE
21	0027104015	MACHINE SCREW	4	
22	0601808803	CIRCUIT BREAKER, 1P 20A	2	
23	0601808804	CIRCUIT BREAKER, 2P 50A	3	
24	M1260700304	BREAKER FITTING COVER	1	
24-1	0222100150	CUSHION RUBBER	2	
25	011206020	HEX. HEAD BOLT .....	2.....	REPLACES P/N 0016906020
26	Y0601814024	RECEPTACLE, 125V 20AX2	2	
27	0601814014	RECEPTACLE, 250V 50A	3	
28	0027104015	MACHINE SCREW	10	
28A	OEMAA8	HEX. NUT .....	10.....	REPLACES P/N 0207004000
29	M3236400204	COVER	1	
30	0016906015	HEX. HEAD BOLT	6	
31	M3454400003	TERMINAL COVER .....	1.....	S/N 7511755 AND BELOW
31	M3454400503	TERMINAL COVER .....	1.....	S/N 7511756 AND ABOVE
32	012212045	HEX. HEAD BOLT .....	2.....	REPLACES P/N 0010112045
33	031112230	WASHER, FLAT .....	6.....	REPLACES P/N 0041212000
34	0030012000	HEX. NUT, DOUBLE NUT	2	
35	0605050060	CONICAL LOCK WASHER	2	

# OUTPUT TERMINAL ASSY. (CONT'D.)



ADD THE FOLLOWING DIGITS AFTER THE PART NUMBER WHEN ORDERING ANY PAINTED PANEL TO INDICATE COLOR OF UNIT:

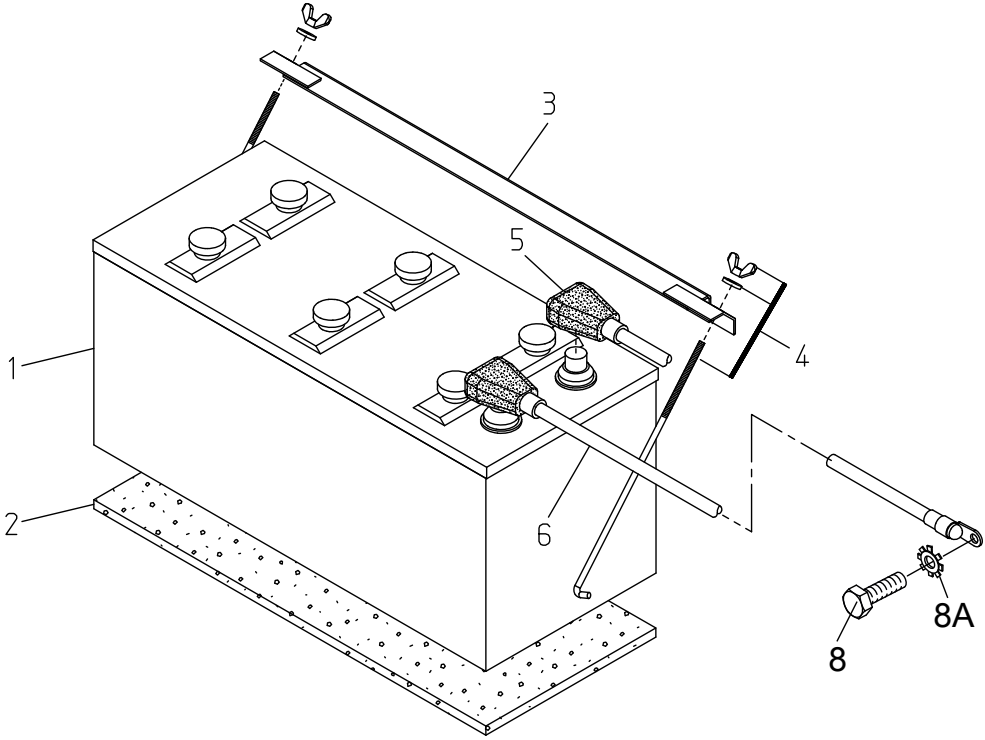
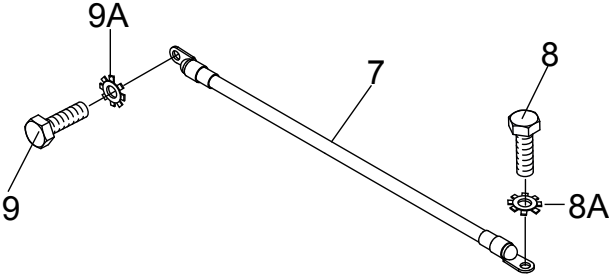
1-ORANGE	6-CATERPILLAR YELLOW
2-WHITE	7-CATO GOLD
3-SPECTRUM GREY	8-RED
4-SUNBELT GREEN	9-DESERT TAN
5-BLACK	

THE SERIAL NUMBER MAY BE REQUIRED.

## OUTPUT TERMINAL ASSY. (CONT'D.)

<u>NO.</u>	<u>PART NO.</u>	<u>PART NAME</u>	<u>QTY.</u>	<u>REMARKS</u>
36	M3237100204	INSULATING COVER	1	
37	M4236400304	SUPPORTER, INSULATING COVER	1	
38	0016906015	HEX. HEAD BOLT	2	
39	0040508000	TOOTHED WASHER	1	
40	0019208020	HEX. HEAD BOLT	1	
41	M3454200904	RECEPTACLE BOARD.....	1.....	S/N 7511756 AND ABOVE
42	0016906015	HEX. HEAD BOLT .....	4.....	S/N 7511756 AND ABOVE
43	M3454700904	RUBBER SHEET .....	1.....	S/N 7511756 AND ABOVE
44	M3454700804	RUBBER SHEET HOLDER .....	1.....	S/N 7511756 AND ABOVE
45	011206020	HEX. HEAD BOLT .....	4.....	REPLACES P/N 0019206020 S/N 7511756 AND ABOVE
46	0601812527	CONNECTOR.....	1.....	S/N 7512056 - 7512966
47	Y0601811177	RECEPTACLE .....	1.....	S/N 7512056 - 7512966
48	M1358200804	WIRE HARNESS, WATER HEATER.....	1.....	S/N 7512056 - 7512966
48	Y0601813078	WIRE HARNESS, WATER HEATER.....	1.....	S/N 7512967 AND ABOVE

**BATTERY ASSY.**

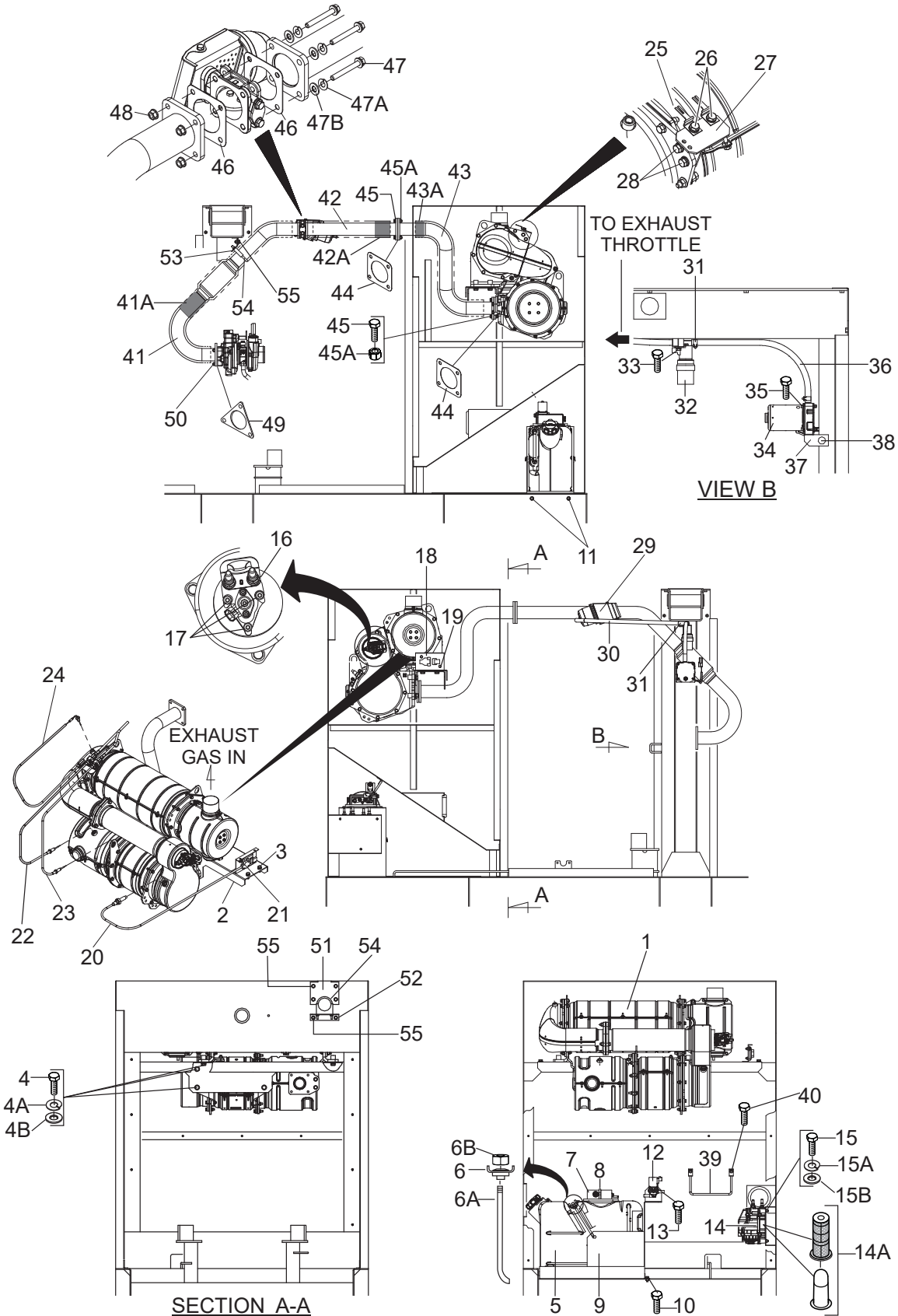


## BATTERY ASSY.

---

<u>NO.</u>	<u>PART NO.</u>	<u>PART NAME</u>	<u>QTY.</u>	<u>REMARKS</u>
1	0602220198	BATTERY	1	
2	M9310500404	BATTERY SHEET	1	
3	M9103000504	BATTERY BAND	1	
4	0602220921	BATTERY BOLT SET	2	
5	M3347900204	BATTERY CABLE	1	
6	M3347900304	BATTERY CABLE	1	
7		CABLE .....	1	MAKE LOCALLY
8	0016910025	HEX. HEAD BOLT	2	
8A	0040510000	TOOTHED WASHER	2	
9	0012410025	HEX. HEAD BOLT	1	
9A	0040510000	TOOTHED WASHER	1	

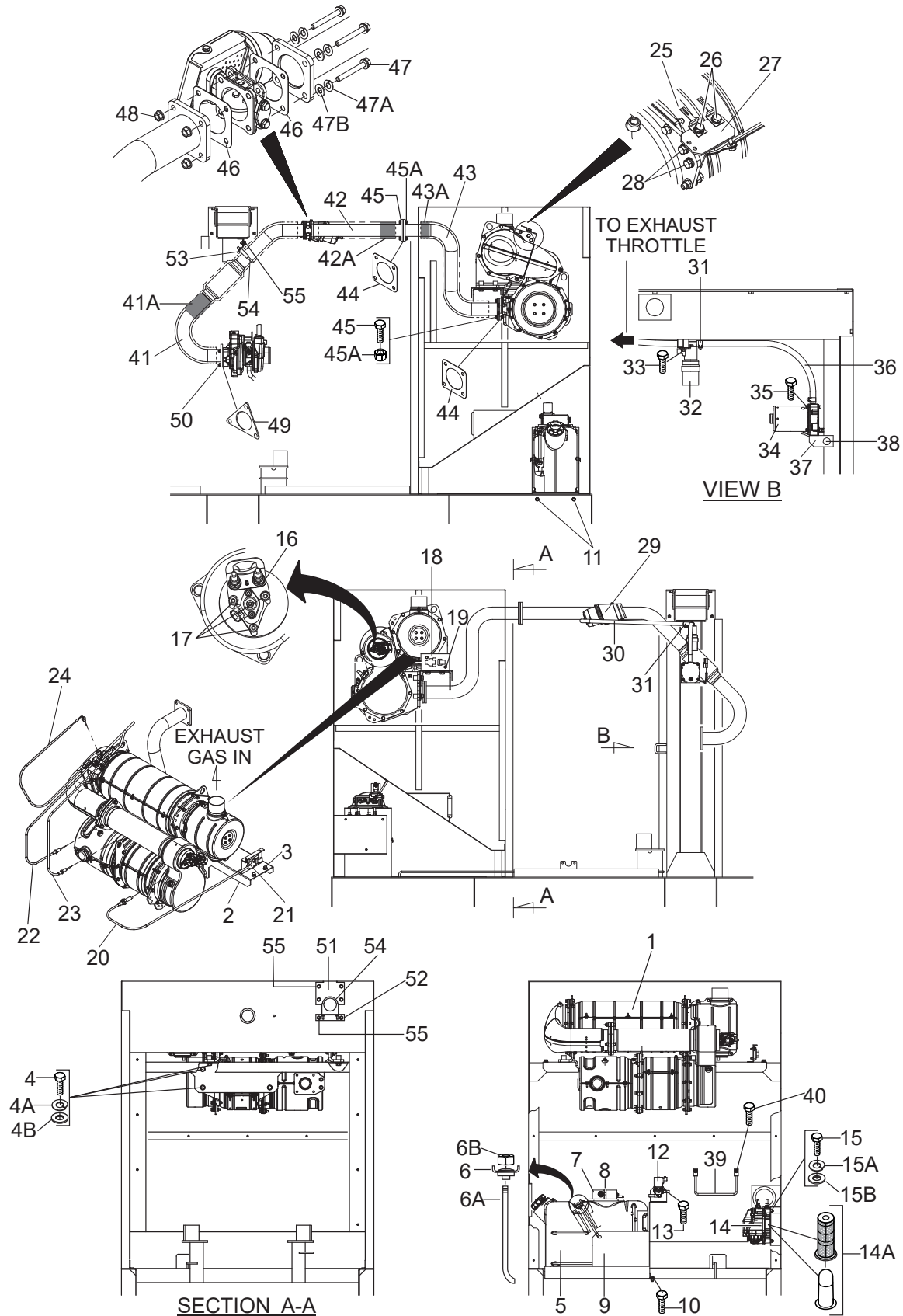
# CATALYTIC EXHAUST FILTER ASSY.



## CATALYTIC EXHAUST FILTER ASSY.

<u>NO.</u>	<u>PART NO.</u>	<u>PART NAME</u>	<u>QTY.</u>	<u>REMARKS</u>
1	8982376941	SCR ASSEMBLY .....	1.....	REPLACES P/N Y0602330321 S/N 7511240 AND BELOW
1	8983244980	SCR ASSEMBLY .....	1.....	REPLACES P/N Y0602330323 S/N 7511241 AND ABOVE
2	M3331401303	SCR BRACKET	1	
3	0016910025	HEX. HEAD BOLT	4	
4	0019112040	HEX. HEAD BOLT	8	
4A	0042312000	WASHER, LOCK	8	
4B	0042412000	WASHER, FLAT	8	
5	8982984470	DEF TANK.....	1.....	REPLACES P/N Y0602330447
6	8981567470	RETAINER .....	1.....	REPLACES P/N Y0602330441
6A	8981579360	BOLT SCREW.....	2.....	REPLACES P/N Y0602330442
6B	0911801100	HEX. NUT .....	2.....	REPLACES P/N Y0602330443
7	8981562981	DEF TANK COVER ASSEMBLY .....	1.....	REPLACES P/N Y0602330448
8	1097071830	DEF TANK COVER CLIP .....	1.....	REPLACES P/N Y0602330449
9	M2334300203	DEF TANK BRACKET	1	
10	011008020	HEX. HEAD BOLT.....	2.....	REPLACES P/N 0016908020
11	011208025	HEX. HEAD BOLT .....	2.....	REPLACES P/N 0016908025
12	8981213061	COOLANT CONTROL VALVE .....	1.....	REPLACES P/N Y0602330484
13	011008020	HEX. HEAD BOLT .....	2.....	REPLACES P/N 0016908020
14	8982688110	DEF SUPPLY MODULE.....	1.....	REPLACES P/N Y0602330483
14A	8981694030	DEF FILTER ELEMENT	1	
15	Y0013608090	HEX. HEAD BOLT	3	
15A	0040008000	WASHER, LOCK	3	
15B	0401450080	WASHER, FLAT .....	3.....	REPLACES P/N 0041208000
16	8982318982	DEF DOSING MODULE .....	1.....	REPLACES P/N Y0602330474
17	0911801060	HEX. NUT .....	3.....	REPLACES P/N Y0602330475
18	M3331401604	NOX SENSOR BRACKET .....	1.....	S/N 7511240 AND BELOW
18	M3331401614	NOX SENSOR BRACKET .....	1.....	S/N 7511241 AND ABOVE
19	011008020	HEX. HEAD BOLT.....	2.....	REPLACES P/N 0016908020 S/N 7511240 AND BELOW
19	001008020	HEX. HEAD BOLT.....	4.....	REPLACES P/N 0016908020 S/N 7511241 AND ABOVE
20	8982465060	NOX SENSOR .....	1.....	REPLACES P/N Y0602330482 S/N 7511240 AND BELOW
20	8982465060	NOX SENSOR .....	2.....	REPLACES P/N Y0602330482 S/N 7511241 AND ABOVE
21	011206020	HEX. HEAD BOLT.....	2.....	REPLACES P/N 0016906020
22	8981783581	DOC TEMP SENSOR (FRONT) .....	1.....	REPLACES P/N Y0602330481
23	8981867621	DOC TEMP SENSOR (REAR).....	1.....	REPLACES P/N Y0602330471
24	8980863290	SCR TEMP SENSOR .....	1.....	REPLACES P/N Y0602330470
25	8976028701	TEMP SENSOR BRACKET .....	2.....	REPLACES P/N Y0602330472
26	011008020	HEX. HEAD BOLT.....	2.....	REPLACES P/N 0016908020
27	M3331401704	CONNECTOR BRACKET	1	
28	011208025	HEX. HEAD BOLT.....	2.....	REPLACES P/N 0016908025
29	8982999640	EXHAUST THROTTLE.....	1.....	REPLACES P/N Y0602315000
30	0083087300	VACUUM HOSE.....	1.....	REPLACES P/N Y0602315005

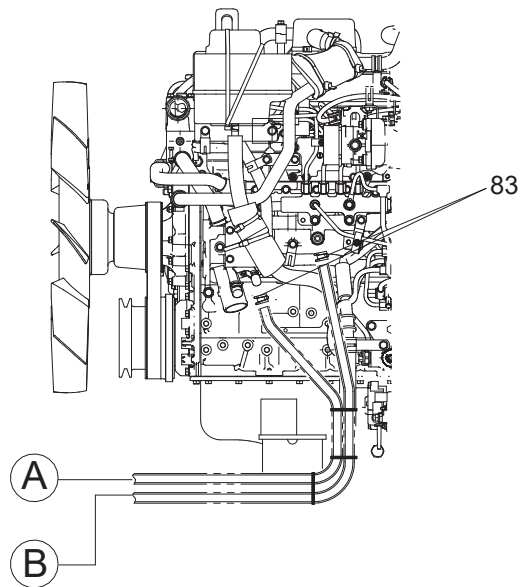
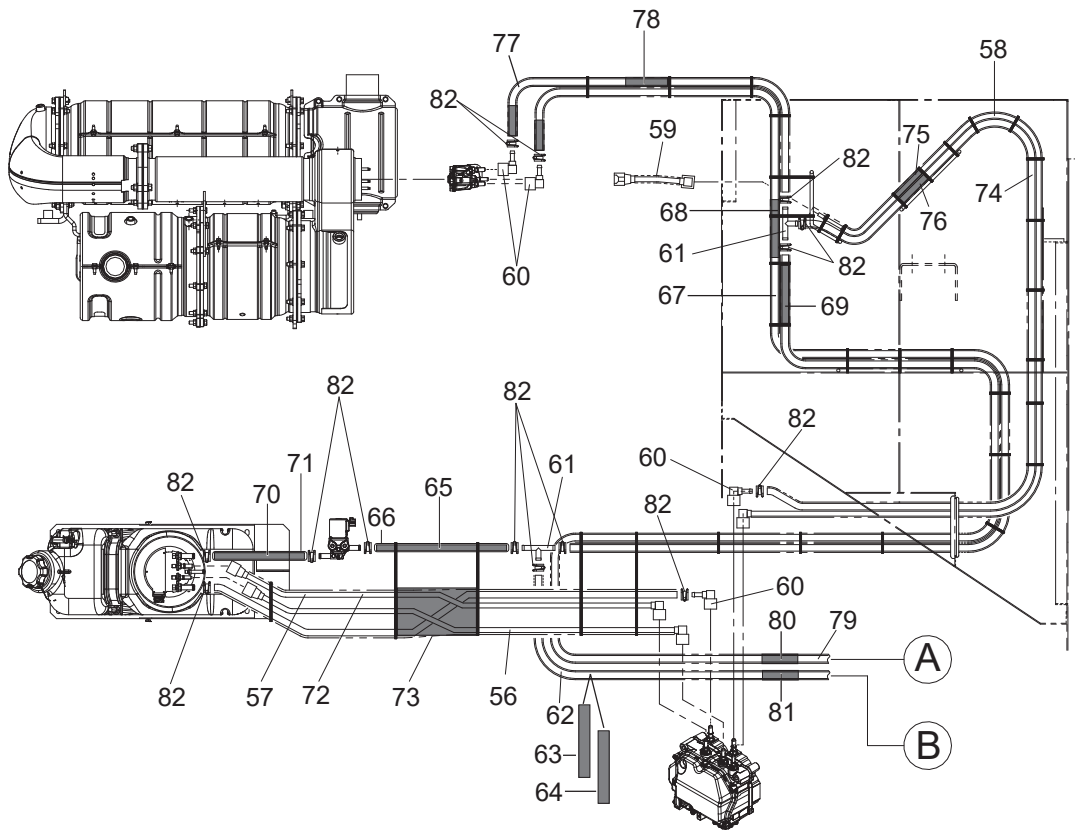
# CATALYTIC EXHAUST FILTER ASSY. (CONT'D.)



## CATALYTIC EXHAUST FILTER ASSY. (CONT'D.)

<u>NO.</u>	<u>PART NO.</u>	<u>PART NAME</u>	<u>QTY.</u>	<u>REMARKS</u>
31	8980080980	VACUUM HOSE CLIP.....	4.....	REPLACES P/N Y0602315013
32	8973285770	MAGNETIC VALVE .....	1.....	REPLACES P/N Y0602315001
33	011008020	HEX. HEAD BOLT.....	1.....	REPLACES P/N 0016908020
34	8982999680	VACUUM PUMP .....	1.....	REPLACES P/N Y0602315002
35	Y0016908015	HEX. HEAD BOLT	2	
36	0083085000	VACUUM HOSE.....	1.....	REPLACES P/N Y0602315004
37	M3331402304	VACUUM PUMP BRACKET .....	1.....	S/N 7511635 AND BELOW
38	011008020	HEX. HEAD BOLT.....	2.....	REPLACES P/N 0016908020 S/N 7511635 AND BELOW
39	M3424700404	SCR HOSE CLAMPER	1	
40	011008020	HEX. HEAD BOLT.....	2.....	REPLACES P/N 0016908020
41	M3334001003	EXHAUST PIPE	1	
41A	Y0602311163	EXHAUST PIPE HEAT SHIELD	1	
42	M3334000904	EXHAUST PIPE	1	
42A	Y0602311164	EXHAUST PIPE HEAT SHIELD	1	
43	M3334001104	EXHAUST PIPE	1	
43A	Y0602311165	EXHAUST PIPE HEAT SHIELD	1	
44	8943925532	GASKET .....	2.....	REPLACES P/N Y0602320213
45	Y0019208035	HEX. HEAD BOLT	8	
45A	020108060	SELF-LOCKING NUT .....	8.....	REPLACES P/N 0207008000
46	8973731080	GASKET .....	2.....	REPLACES P/N Y0602320212
47	0019108065	HEX. HEAD BOLT	4	
47A	0042308000	WASHER, LOCK	4	
47B	0401450080	WASHER, FLAT .....	4.....	REPLACES P/N 0042408000
48	020108060	SELF-LOCKING NUT .....	4.....	REPLACES P/N 0207008000
49	M3334200004	GASKET	1	
50	0207108000	SELF-LOCKING NUT	3	
51	M3331401404	EXHAUST PIPE COVER	1	
52	M3331401504	EXHAUST PIPE BRACKET	1	
53	M3331402204	EXHAUST PIPE BRACKET	1	
54	0602326090	U-BOLT	2	
55	011008020	HEX. HEAD BOLT.....	8.....	REPLACES P/N 0016908020

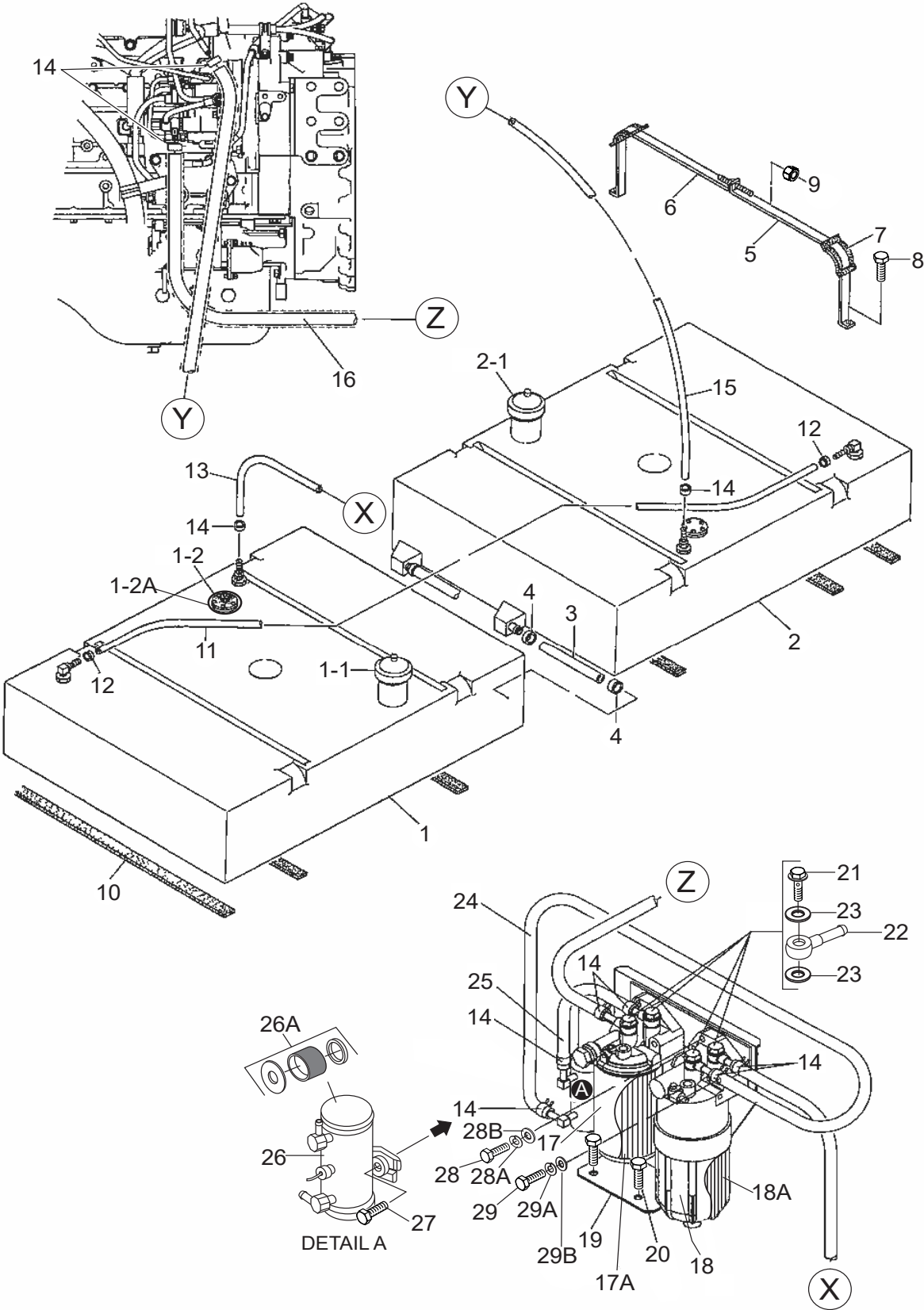
# CATALYTIC EXHAUST FILTER ASSY. (CONT'D.)



## CATALYTIC EXHAUST FILTER ASSY. (CONT'D.)

<u>NO.</u>	<u>PART NO.</u>	<u>PART NAME</u>	<u>QTY.</u>	<u>REMARKS</u>
56	Y0602330457	DEF LINE	1	
57	Y0602330458	DEF LINE	1	
58	Y0602330459	DEF LINE	1	
59	Y0378900200	AEROFLEX TUBE	1	
60	Y0602330453	90° ELBOW JOINT	4	
61	Y0602330454	TEE CONNECTOR	2	
62	Y0377102270	SCR COOLANT LINE	1	
63	Y0378501830	AEROFLEX TUBE	1	
64	Y0378500390	AEROFLEX TUBE	1	
65	Y0377100250	SCR COOLANT LINE	1	
66	Y0378500200	AEROFLEX TUBE	1	
67	Y0377102100	SCR COOLANT LINE	1	
68	Y0378501830	AEROFLEX TUBE	1	
69	Y0378500200	AEROFLEX TUBE	1	
70	Y0377100200	SCR COOLANT LINE	1	
71	Y0378500150	AEROFLEX TUBE	1	
72	Y0377100740	SCR COOLANT LINE	1	
73	Y0378700750	AEROFLEX TUBE	1	
74	Y0377102160	SCR COOLANT LINE	1	
75	Y0378701830	AEROFLEX TUBE	1	
76	Y0378700470	AEROFLEX TUBE	1	
77	Y0377100400	SCR COOLANT LINE	1	
78	Y0378500350	AEROFLEX TUBE	1	
79	Y0377103660	SCR COOLANT LINE	1	
80	Y0378501830	AEROFLEX TUBE	1	
81	Y0378501760	AEROFLEX TUBE	1	
82	Y0605515340	HOSE BAND	14	
83	0605515198	HOSE BAND	2	

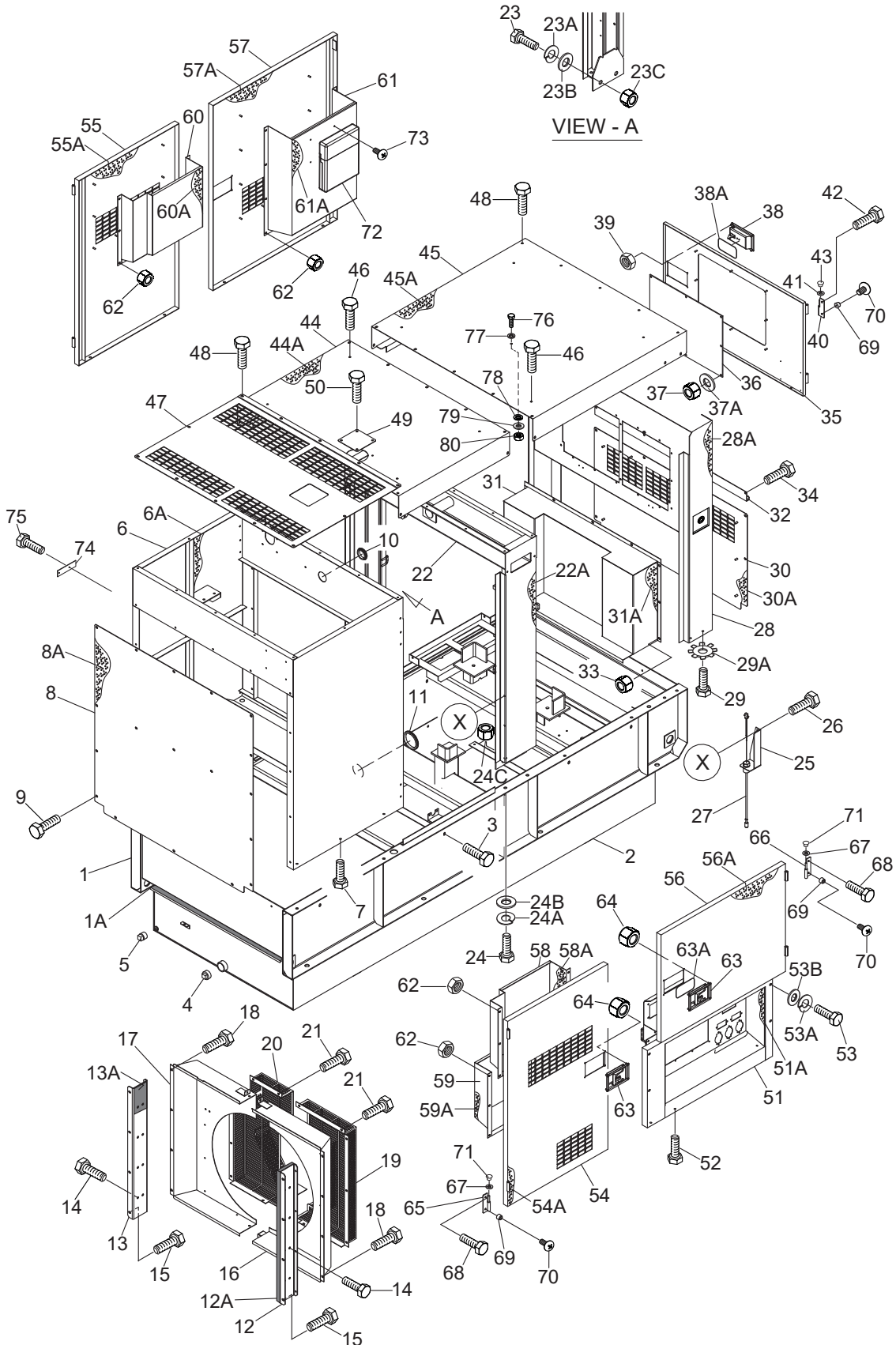
# FUEL TANK ASSY.



## FUEL TANK ASSY.

<u>NO.</u>	<u>PART NO.</u>	<u>PART NAME</u>	<u>QTY.</u>	<u>REMARKS</u>
1	M3363001402	FUEL TANK.....	1.....	INCLUDES ITEMS W/# S/N 7512209 AND BELOW S/N 7513425 AND ABOVE
1	M3364000702	FUEL TANK.....	1.....	S/N 7512210 - 7513424
1-1#	0605505070	FUEL TANK CAP	1	
1-2#	Y0605501058	FUEL SENDER UNIT .....	1.....	REPLACES P/N 0605501074
1-2A#	0605516090	GASKET	1	
2	M3363001504	FUEL TANK.....	1.....	INCLUDES ITEMS W/\$ S/N 7512209 AND BELOW S/N 7513425 AND ABOVE
2-1\$	0605505070	FUEL TANK CAP .....	1.....	S/N 7512209 AND BELOW
3	0191700280	CONNECT HOSE .....	2.....	S/N 7512209 AND BELOW S/N 7513425 AND ABOVE
4	0605515134	HOSE BAND.....	4.....	S/N 7512209 AND BELOW S/N 7513425 AND ABOVE
5	M3363200404	TANK BAND	4	
6	M3363200904	TANK BAND	4	
7	M9310500104	SUPPORTER SHEET	8	
8	011008020	HEX. HEAD BOLT .....	8.....	REPLACES P/N 0016908020
9	020108060	HEX. NUT .....	8.....	REPLACES P/N 0207008000
10	0222101000	TANK SHEET	6	
11	0191302500	VENT HOSE	1	
12	Y0605515340	HOSE BAND	2	
13	0191300950	SUCTION HOSE	1	
14	Y0605515340	HOSE BAND	10	
15	0191300530	RETURN HOSE	1	
16	0191301100	SUCTION HOSE	1	
17	8983129150	FUEL FILTER (MAIN) .....	1.....	REPLACES P/N Y0602042416
17A	8983129180	FUEL FILTER ELEMENT, MAIN	1	
18	8980758553	FUEL FILTER (PRE.).....	1.....	REPLACES P/N Y0602042405
18A	8980742881	FUEL FILTER ELEMENT, PRE	1	
19	M3364400404	BRACKET, FUEL FILTER	1	
20	0016910030	HEX. HEAD BOLT	6	
21	1096750951	EYE BOLT.....	4.....	REPLACES P/N Y0602042621
22	8973834270	JOINT PIPE .....	4.....	REPLACES P/N Y0602042661
23	1096300860	PACKING .....	8.....	REPLACES P/N Y0602042641
24	0191300550	SUCTION HOSE	1	
25	Y0191300260	SUCTION HOSE	1	
26	8980682750	FUEL FEED PUMP.....	1.....	REPLACES P/N Y0602023240
26A	8980714010	FUEL FEED PUMP FILTER	1	
27	011606025	HEX. HEAD BOLT.....	2.....	REPLACES P/N 0016906025
28	0017110045	HEX. HEAD BOLT	4	
28A	0040010000	WASHER, LOCK	4	
28B	Y0041210000	WASHER, FLAT	4	
29	0015310080	HEX. HEAD BOLT	2	
29A	0040010000	WASHER, LOCK	2	
29B	031110160	WASHER, FLAT .....	2.....	REPLACES P/N 0041210000

# ENCLOSURE ASSY.



## ENCLOSURE ASSY.

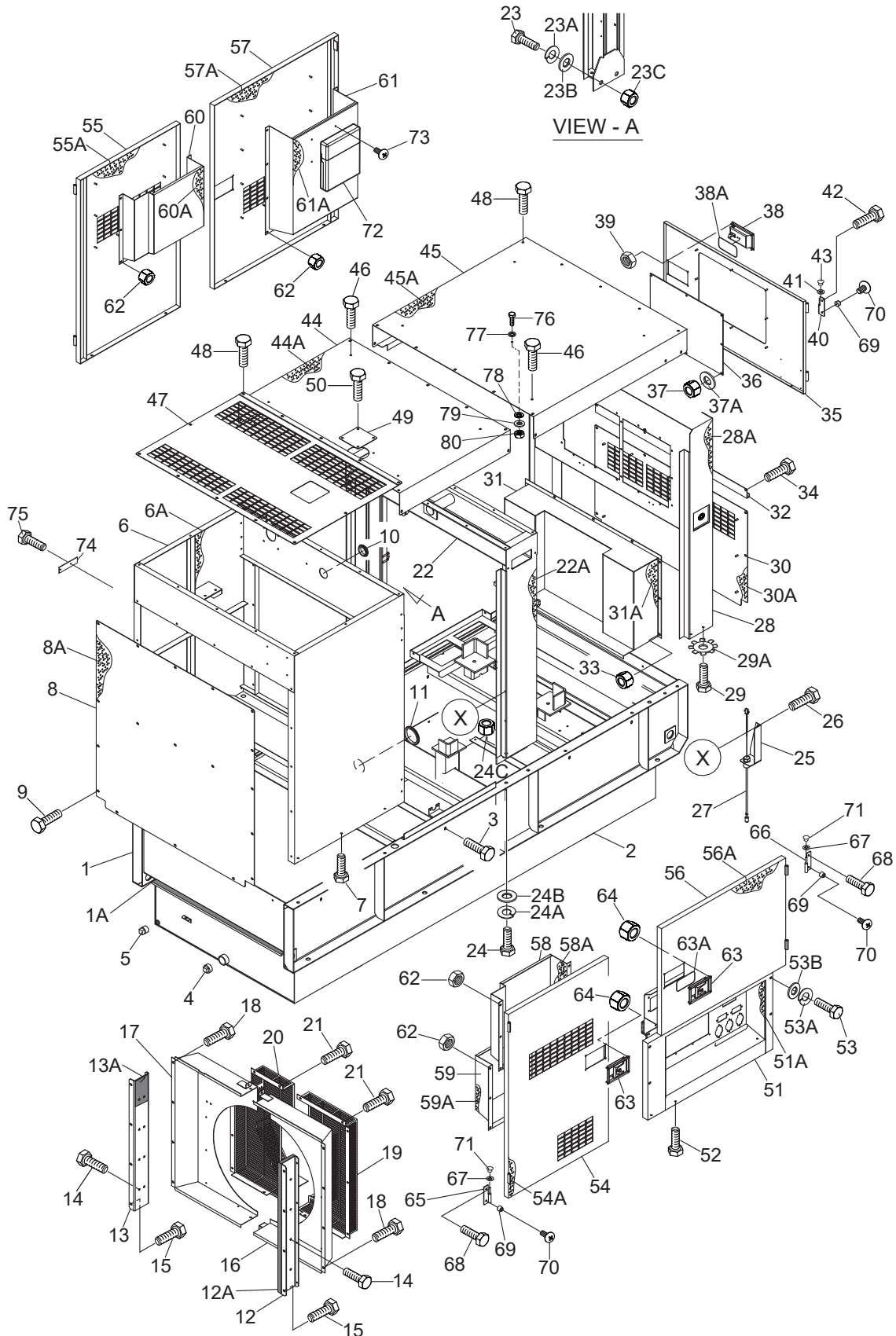
<u>NO.</u>	<u>PART NO.</u>	<u>PART NAME</u>	<u>QTY.</u>	<u>REMARKS</u>
1	M3414000602	BASE	1	
1A	0229201090	SEAL RUBBER	1	
2	M3364300203	ENVIRONMENTAL TANK	1	
3	0016910030	HEX. HEAD BOLT	12	
4	0603306797	SQUARE HEAD PIPE PLUG, 1-1/2"	1	
5	Y0603306793	SQUARE HEAD PIPE PLUG, 1/2" .....	1	S/N 7512209 AND BELOW
6	M3424000402	FRONT FRAME	1	
6A	M3494105703	ACOUSTIC SHEET	1	
7	0016910025	HEX. HEAD BOLT	6	
8	M3424200804	COVER, FRONT FRAME	1	
8A	M3494105804	ACOUSTIC SHEET	1	
9	0019208020	HEX. HEAD BOLT	19	
10	0601851736	GROMMET	1	
11	Y0601851765	GROMMET	1	
12	M3311200704	RADIATOR BRACKET	1	
12A	M3494106004	ACOUSTIC SHEET	1	
13	M3311200804	RADIATOR BRACKET	1	
13A	M3494106004	ACOUSTIC SHEET	1	
14	Y0016908015	HEX. HEAD BOLT	16	
15	011008020	HEX. HEAD BOLT .....	8	REPLACES P/N 0016908020
16	M3311301203	FAN SHROUD	1	
17	M3311301303	FAN SHROUD	1	
18	011008020	HEX. HEAD BOLT .....	10	REPLACES P/N 0016908020
19	M3311301403	FAN GUARD	1	
20	M3311301503	FAN GUARD	1	
21	0016906015	HEX. HEAD BOLT	12	
22	M3434000502	CENTER FRAME .....	1	S/N 7511635 AND BELOW
22	M3434000512	CENTER FRAME .....	1	S/N 7511636 AND ABOVE
22A	M3494200004	ACOUSTIC SHEET	1	
23	0010120050	HEX. HEAD BOLT	4	
23A	0040020000	WASHER, LOCK .....	4	REPLACES P/N 030220510
23B	0041220000	WASHER, FLAT	8	
23C	0030020000	HEX. NUT	4	
24	0010114040	HEX. HEAD BOLT	4	
24A	0040014000	WASHER, LOCK .....	4	REPLACES P/N 030214350
24B	0041214000	WASHER, FLAT .....	8	REPLACES P/N 031114260
24C	0030014000	HEX. NUT .....	4	REPLACES P/N 515455840

ADD THE FOLLOWING DIGITS AFTER THE PART NUMBER WHEN ORDERING ANY PAINTED PANEL TO INDICATE COLOR OF UNIT:

1-ORANGE	6-CATERPILLAR YELLOW
2-WHITE	7-CATO GOLD
3-SPECTRUM GREY	8-RED
4-SUNBELT GREEN	9-DESERT TAN
5-BLACK	

THE SERIAL NUMBER MAY BE REQUIRED.

# ENCLOSURE ASSY. (CONT'D.)



## ENCLOSURE ASSY. (CONT'D.)

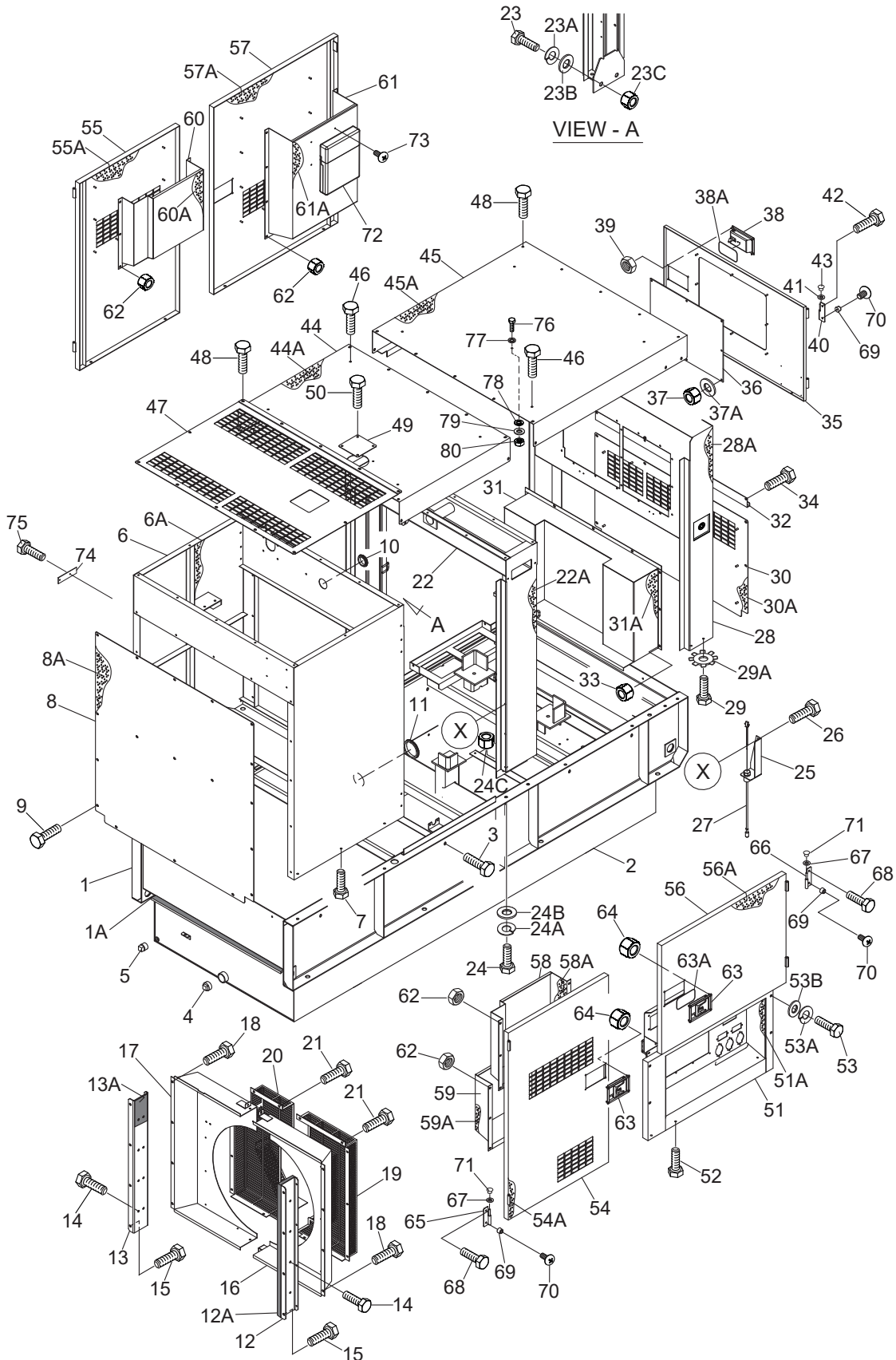
<u>NO.</u>	<u>PART NO.</u>	<u>PART NAME</u>	<u>QTY.</u>	<u>REMARKS</u>
25	M3414800304	FUEL LEAK SWITCH BRACKET	1	
26	0016908020	HEX. HEAD BOLT.....	2.....	REPLACES P/N 011008020
27	0605503062	FUEL LEAK DETECTED SWITCH	1	
28	M3444000402	REAR FRAME .....	1.....	S/N 7512966 AND BELOW
28	M3444000412	REAR FRAME .....	1.....	S/N 7512967 AND ABOVE
28A	M3494300104	ACOUSTIC SHEET .....	2.....	S/N 7512966 AND BELOW
28A	M3494303804	ACOUSTIC SHEET .....	2.....	S/N 7512967 AND ABOVE
29	0016910025	HEX. HEAD BOLT	4	
29A	0040510000	TOOTHED WASHER	1	
30	M3444300403	REAR COVER	1	
30A	M3494301504	ACOUSTIC SHEET	1	
31	M3444300503	DUCT, REAR COVER	1	
31A	M3494301403	ACOUSTIC SHEET	1	
32	M3444800004	RAIN GUTTER	1	
33	0207008000	SELF-LOCKING NUT .....	9.....	REPLACES P/N 020108060
34	0019208020	HEX. HEAD BOLT	10	
35	M3444200013	REAR DOOR	1	
36	M4443600004	WINDOW PLATE	1	
37	0037906000	LOCK NUT.....	8.....	REPLACES P/N 020106050
37A	0041206000	WASHER, FLAT .....	8.....	REPLACES P/N 952404470
38	Y0605012309	DOOR HANDLE ASSY.	1	
38A	C9312500004	SEAL RUBBER	1	
39	0207006000	LOCK NUT.....	4.....	REPLACES P/N 0176060030
40	M9110100204	HINGE	2	
41	M9116100004	WASHER	2	
42	0019208020	HEX. HEAD BOLT	3	
43	M9310000004	BLIND PLUG.....	2.....	REPLACES P/N 0845031504
44	M3464100403	ROOF PANEL	1	
44A	M3494503204	ACOUSTIC SHEET	1	
45	M3464200303	ROOF PANEL	1	
45A	M3494503304	ACOUSTIC SHEET	1	
46	0019210025	HEX. HEAD BOLT	8	
47	M3424200703	OVER COVER, FRONT FRAME	1	
48	0019208020	HEX. HEAD BOLT	37	
49	M3310600004	COVER	1	
50	0019208020	HEX. HEAD BOLT	4	

ADD THE FOLLOWING DIGITS AFTER THE PART NUMBER WHEN ORDERING ANY PAINTED PANEL TO INDICATE COLOR OF UNIT:

1-ORANGE	6-CATERPILLAR YELLOW
2-WHITE	7-CATO GOLD
3-SPECTRUM GREY	8-RED
4-SUNBELT GREEN	9-DESERT TAN
5-BLACK	

THE SERIAL NUMBER MAY BE REQUIRED.

# ENCLOSURE ASSY. (CONT'D.)



## ENCLOSURE ASSY. (CONT'D.)

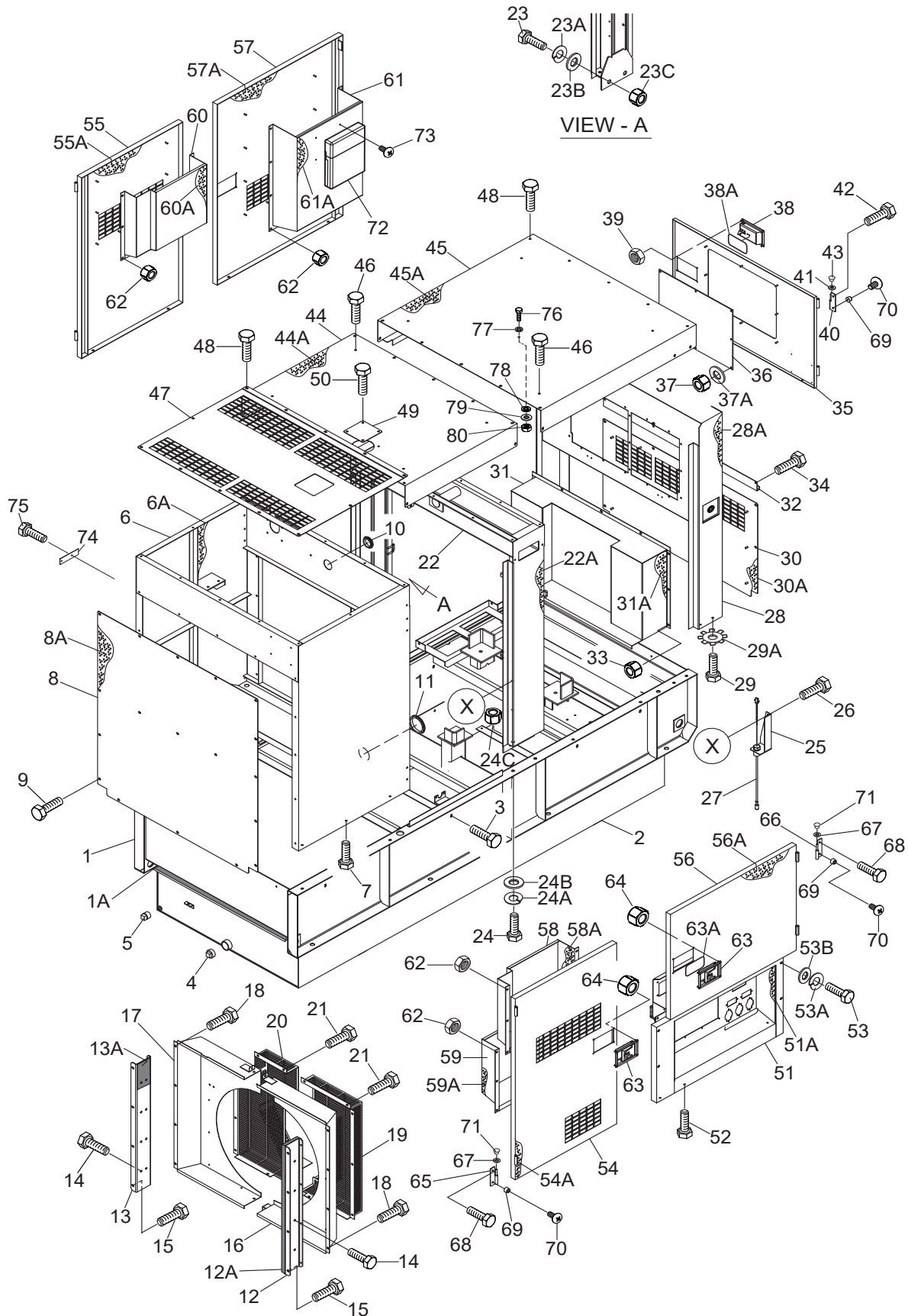
NO.	PART NO.	PART NAME	QTY.	REMARKS
51	M3454200502	SPLASHER PANEL .....	1	S/N 7511755 AND BELOW
51	M3454201102	SPLASHER PANEL .....	1	S/N 7511756 AND ABOVE
51A	M3494416504	ACOUSTIC SHEET .....	1	S/N 7511755 AND BELOW
51A	M3494430904	ACOUSTIC SHEET .....	1	S/N 7511756 AND ABOVE
52	0016910025	HEX. HEAD BOLT	3	
53	0019108055	HEX. HEAD BOLT	4	
53A	0042308000	WASHER, LOCK	4	
53B	0042408000	WASHER, FLAT .....	4	REPLACES P/N 0401450080
54	M3454002003	SIDE DOOR	1	
54A	M3494415904	ACOUSTIC SHEET	1	
55	M3454002103	SIDE DOOR	1	
55A	M3494415804	ACOUSTIC SHEET	1	
56	M3454002203	SIDE DOOR	1	
56A	M3494416004	ACOUSTIC SHEET	1	
57	M3454002303	SIDE DOOR	1	
57A	M3494416104	ACOUSTIC SHEET	1	
58	M3454301103	DUCT	1	
58A	M3494416204	ACOUSTIC SHEET	1	
59	M3454301203	DUCT	1	
59A	M3494416404	ACOUSTIC SHEET	1	
60	M3454301303	DUCT	1	
60A	M3494416304	ACOUSTIC SHEET	1	
61	M3454300003	DUCT	1	
61A	M3494400704	ACOUSTIC SHEET	1	
62	0176060030	SELF-LOCKING NUT .....	33	REPLACES P/N 0207006000
63	Y0605012309	DOOR HANDLE ASSY.	4	
63A	C9312500004	SEAL RUBBER	4	
64	0176060030	LOCK NUT .....	16	REPLACES P/N 0207006000
65	M9110100204	HINGE	4	
66	M9110100304	HINGE	4	
67	M9116100004	WASHER	8	
68	0019208020	HEX. HEAD BOLT	8	
69	0601850097	DOOR STOPPER	8	
70	0027208025	MACHINE SCREW	8	
71	0845031504	BLIND PLUG.....	8	REPLACES P/N M9310000004
72	0600800320	MANUAL PACK	1	

ADD THE FOLLOWING DIGITS AFTER THE PART NUMBER WHEN ORDERING ANY PAINTED PANEL TO INDICATE COLOR OF UNIT:

1-ORANGE	6-CATERPILLAR YELLOW
2-WHITE	7-CATO GOLD
3-SPECTRUM GREY	8-RED
4-SUNBELT GREEN	9-DESERT TAN
5-BLACK	

THE SERIAL NUMBER MAY BE REQUIRED.

# ENCLOSURE ASSY. (CONT'D.)



## ENCLOSURE ASSY. (CONT'D.)

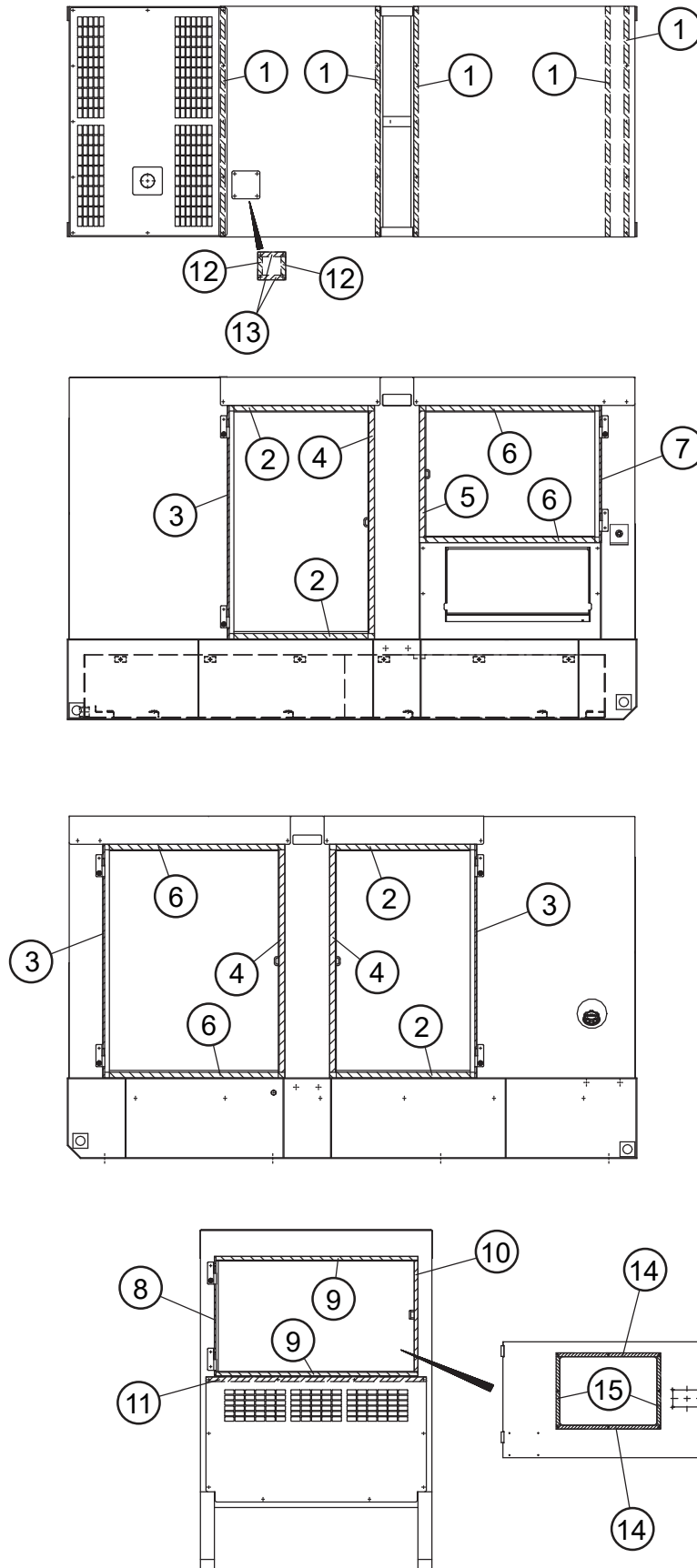
<u>NO.</u>	<u>PART NO.</u>	<u>PART NAME</u>	<u>QTY.</u>	<u>REMARKS</u>
73	0021806015	MACHINE SCREW	4	
74	M2414800304	HOLE COVER.....	1.....	S/N 7511666 AND ABOVE
75	011008020	HEX. HEAD BOLT.....	2.....	REPLACES P/N 0016908020 S/N 7511666 AND ABOVE
76	0019112030	HEX. HEAD BOLT.....	1.....	S/N 7512863 AND ABOVE
77	0605050040	SEALING WASHER.....	1.....	S/N 7512863 AND ABOVE
78	0042312000	WASHER, LOCK.....	1.....	S/N 7512863 AND ABOVE
79	0042412000	WASHER, FLAT.....	1.....	S/N 7512863 AND ABOVE
80	0030012000	HEX. NUT.....	1.....	S/N 7512863 AND ABOVE

ADD THE FOLLOWING DIGITS AFTER THE PART NUMBER WHEN ORDERING ANY PAINTED PANEL TO INDICATE COLOR OF UNIT:

1-ORANGE	6-CATERPILLAR YELLOW
2-WHITE	7-CATO GOLD
3-SPECTRUM GREY	8-RED
4-SUNBELT GREEN	9-DESERT TAN
5-BLACK	

THE SERIAL NUMBER MAY BE REQUIRED.

# RUBBER SEALS ASSY.



## **RUBBER SEALS ASSY.**

---

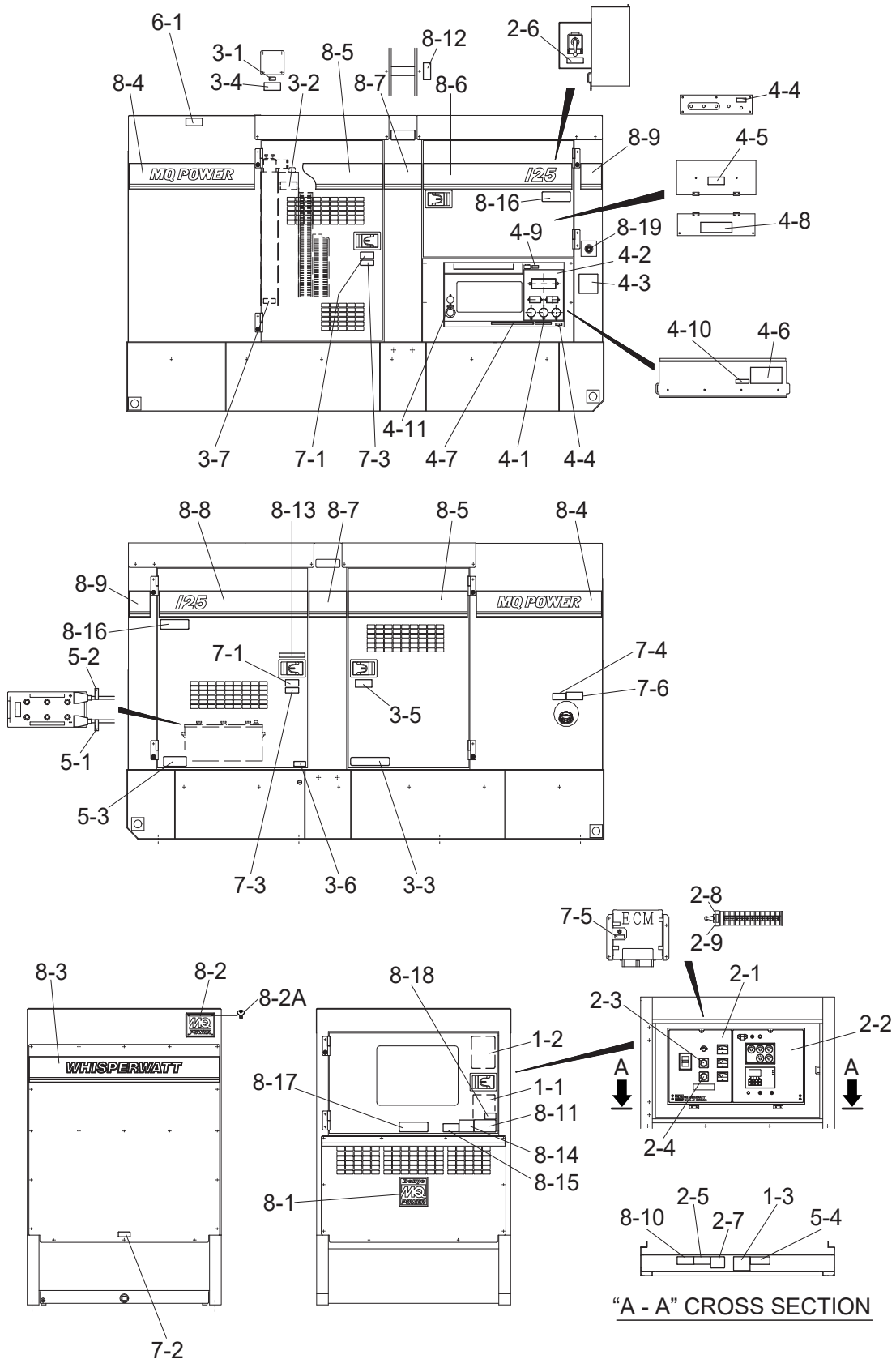
<b><u>NO.</u></b>	<b><u>PART NO.</u></b>	<b><u>PART NAME</u></b>	<b><u>QTY.</u></b>	<b><u>REMARKS</u></b>
1	0229201240	SEAL, RUBBER	5	
2	0228900780	SEAL, RUBBER	4	
3	0228901260	SEAL, RUBBER	3	
4	0228901200	SEAL, RUBBER	3	
5	0228900680	SEAL, RUBBER	1	
6	Y0228900965	SEAL, RUBBER	4	
7	0228900740	SEAL, RUBBER	1	
8	Y0229400645	SEAL, RUBBER	1	
9	0228801080	SEAL, RUBBER	2	
10	0228800605	SEAL, RUBBER	1	
11	Y0229201180	SEAL, RUBBER	1	
12	Y0229200100	SEAL, RUBBER	2	
13	Y0229200145	SEAL, RUBBER	2	
14	0228100560	SEAL, RUBBER	2	
15	0228100370	SEAL, RUBBER	2	



## NAMEPLATE AND DECALS ASSY.

<b>NO.</b>	<b>PART NO.</b>	<b>PART NAME</b>	<b>QTY.</b>	<b>REMARKS</b>
1-1	M2551000303	DECAL; OPERATING PRECAUTIONS.....	1.....	M25100030 S/N 7512966 AND BELOW
1-1	M2551000803	DECAL; OPERATING PRECAUTIONS.....	1.....	S/N 7512967 AND ABOVE
1-2	M9501200003	DECAL; SCR PURGA PROCEDURES .....	1.....	M90120000
1-3	M9520100304	DECAL; GENERAL CAUTIONS.....	1.....	M92010030
<b>CONTROL BOX GROUP</b>				
2-1	M3551001203	DECAL; GENERATOR CONTROL .....	1.....	M35100120
2-2	M3551001303	DECAL; ENGINE OPERATION.....	1.....	M35100130
2-3	M9520000104	PLATE; AMMETER CHANGE-OVER SW. ....	1.....	M92000010
2-4	M9520000204	PLATE; VOLTMETER CHANGE-OVER SW. ....	1.....	M92000020
2-5	M9520100004	DECAL; WARNING ELECTRICAL SHOCK .....	1.....	M92010000
2-6	M9520100204	DECAL; CAUTION CHANGE-OVER SW. ....	1.....	M92010020A
2-7	M9520200404	DECAL; O.C.R RESET .....	1.....	M92020040
2-8	M3550002304	DECAL; SELECTOR SWITCH NUMBER (A) ...	1.....	M35000230
2-9	M3550002404	DECAL; SELECTOR SWITCH NUMBER (B) ...	1.....	M35000240
<b>ENGINE &amp; RADIATOR GROUP</b>				
3-1	M9500100004	DECAL; WATER.....	1.....	M90010000
3-2	M9503000004	DECAL; WARNING ROTATING PART .....	2.....	M90300000
3-3	M9503000103	DECAL; DAILY CHECK WATER AND OIL .....	1.....	M90300010
3-4	M9503100004	DECAL; WARNING RADIATOR CAP .....	1.....	M90310000
3-5	M9510100004	DECAL; CAUTION HIGH TEMP.....	1.....	M91010000
3-6	M9500000004	DECAL; OIL DRAIN .....	1.....	M90000000
3-7	M9500100304	DECAL; INTER-COOLER DRAIN.....	1.....	M90010030
<b>OUTPUT TERMINAL GROUP</b>				
4-1	M9511100104	DECAL; NOTE RECEPTACLE.....	1.....	M91110010
4-2	M1550000703	DECAL; AUXILIARY OUTPUTS .....	1.....	M15000070 S/N 7511755 AND BELOW
4-2	M3551002003	DECAL; AUXILIARY OUTPUTS .....	1.....	M35000200 S/N 7511756 AND ABOVE
4-3	M3550000004	DECAL; NOTE LOAD SHARING .....	1.....	M35000000A
4-4	M9520000004	DECAL; GROUNDING.....	2.....	M92000000
4-5	M9520100004	DECAL; WARNING ELECTRICAL SHOCK .....	1.....	M92010000
4-6	M9520100404	DECAL; DANGER HIGH VOLTAGE .....	1.....	M92010040
4-7	M9520100503	DECAL; WARNING .....	1.....	M92010050
4-8	M9520200003	DECAL; CONNECTION OF OUTPUT CABLE ..	1.....	M92020000
4-9	M9520000504	DECAL; START CONTACT .....	1.....	M92000050
4-10	M9521200604	DECAL; BONDED NEUTRAL .....	1.....	M92120060 S/N 7511221 AND ABOVE
4-11	M9522000004	DECAL; WATER HEATER.....	1.....	S/N 7512056 AND ABOVE

# NAMEPLATE AND DECALS ASSY. (CONT'D.)



## NAMEPLATE AND DECALS ASSY. (CONT'D.)

<u>NO.</u>	<u>PART NO.</u>	<u>PART NAME</u>	<u>QTY.</u>	<u>REMARKS</u>
<b>BATTERY GROUP</b>				
5-1	M9500300004	DECAL; - .....	1.....	M90030000
5-2	M9500300104	DECAL; + .....	1.....	M90030010
5-3	M9510100403	DECAL; CAUTION .....	1.....	M91010040
5-4	M9501300104	DECAL; CAUTION BATTERY CABLES .....	1.....	M90130010
<b>MUFFLER GROUP</b>				
6-1	M9503200004	DECAL; WARNING EXHAUST GAS.....	1.....	M90320000
<b>FUEL TANK GROUP</b>				
7-1	M9501500004	DECAL; DIESEL FUEL .....	2.....	M90150000 S/N 7512209 AND BELOW
7-1	M9501500004	DECAL; DIESEL FUEL .....	1.....	M90150000 S/N 9512210 AND ABOVE
7-2	M9510000004	DECAL; FLUID DRAIN.....	1.....	M91000000
7-3	M9504500004	DECAL; REFILL DEF AS WELL .....	2.....	M90150010 S/N 7512209 AND BELOW
7-3	M9504500004	DECAL; REFILL DEF AS WELL .....	1.....	M90150010 S/N 7512210 AND ABOVE
7-4	M9501500104	DECAL; DIESEL EXHAUST FLUID .....	1.....	M90150010
7-5	M9520002104	DECAL; FUEL PUMP SWITCH .....	1.....	M92000210
7-6	M9541100004	DECAL; CAUTION: EXHAUST FLUID ONLY .....	1.....	M94110000 S/N 7511616 AND ABOVE
<b>ENCLOSURE GROUP</b>				
8-1	M9511200204	DECAL; MQ .....	1.....	M91120020
8-2	0600500092	EMBLEM	1	
8-2A	0021106015	MACHINE SCREW	4	
8-3	M3561000303	STRIPE	1	
8-4	M3561000403	STRIPE	2	
8-5	M3560101904	STRIPE	2	
8-6	M3561100703	STRIPE	1	
8-7	M3560100404	STRIPE	2	
8-8	M3561100803	STRIPE	1	
8-9	M3560100604	STRIPE	2	
8-10	M9520100704	DECAL; WARNING ARC FLASH.....	1.....	M92010070
8-11	M9511100004	DECAL; WARNING ENVIRONMENTAL TANK...1.....	1.....	M91110000
8-12	M3550002204	DECAL; CAUTION .....	1.....	M35000220
8-13	M9510000104	DECAL; DOCUMENT BOX LOCATED .....	1.....	M91000010
8-14	M9503200104	DECAL; DANGER EXHAUST GAS (INDOOR)..1.....	1.....	M90320010
8-15	920214100	DECAL; WARNING START FIRES .....	1.....	M90420000 REPLACES P/N M9504200004
8-16	M9520100603	DECAL; WARNING AUTO START .....	2.....	M92010060
8-17	M9511200103	DECAL; TIER 4F .....	1.....	M91120010
8-18	M9504200104	DECAL; WARNING PROPOSITION 65 .....	1.....	M90420010 S/N 7511866 AND ABOVE
8-19	M9521002804	DECAL; EMERGENCY STOP BUTTON.....	1.....	M92100280 S/N 7512967 AND ABOVE