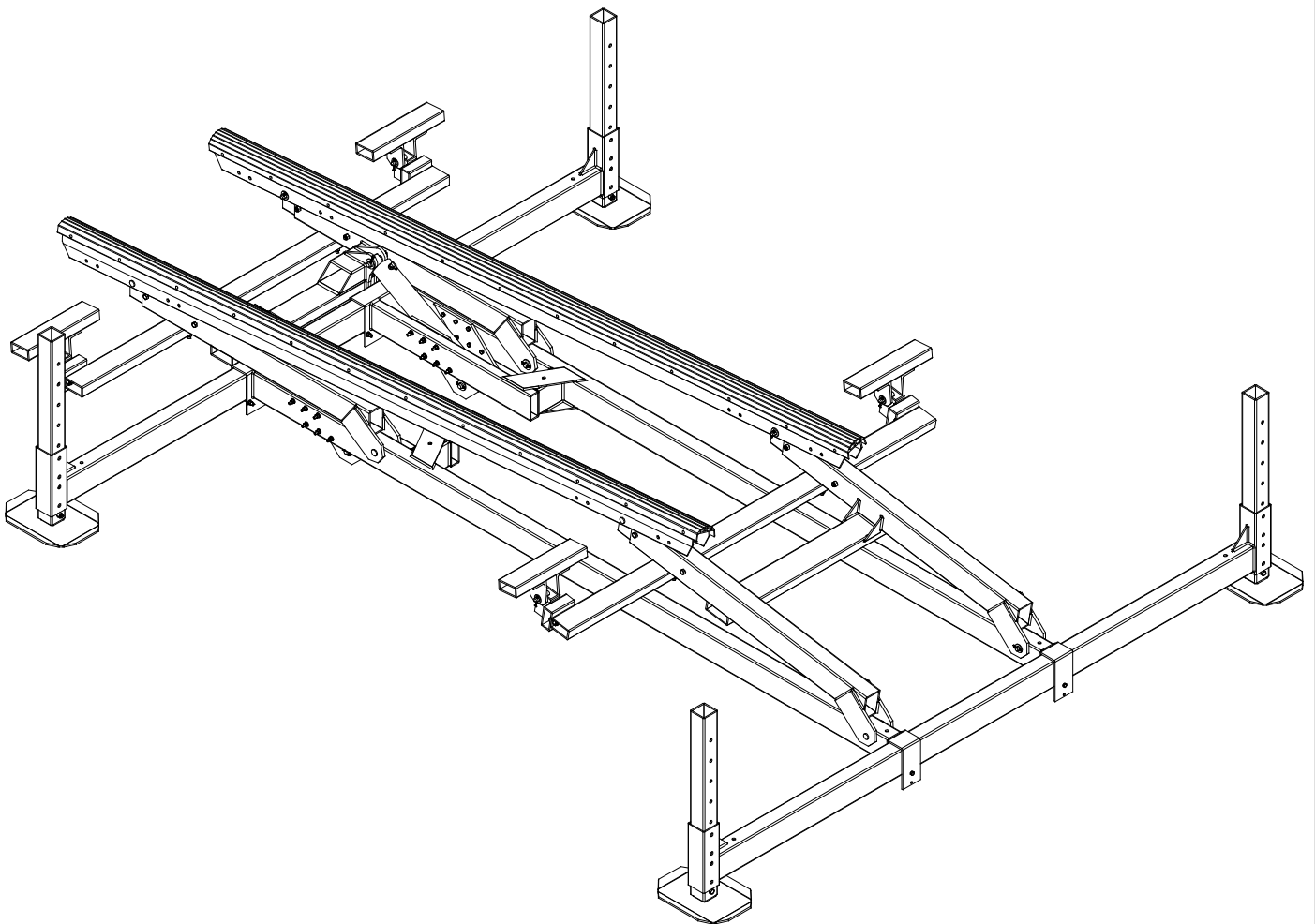




HL5-7K PONTOON

BOLT-ON KIT INSTRUCTIONS

(Applies to P/N 4113060)



REIMANN & GEORGER CORPORATION
MARINE PRODUCTS
P/N 6114177

BUFFALO, NY
04/11/18

2.4 HL5-7K PONTOON CROSS SUPPORT TUBE MOUNTING

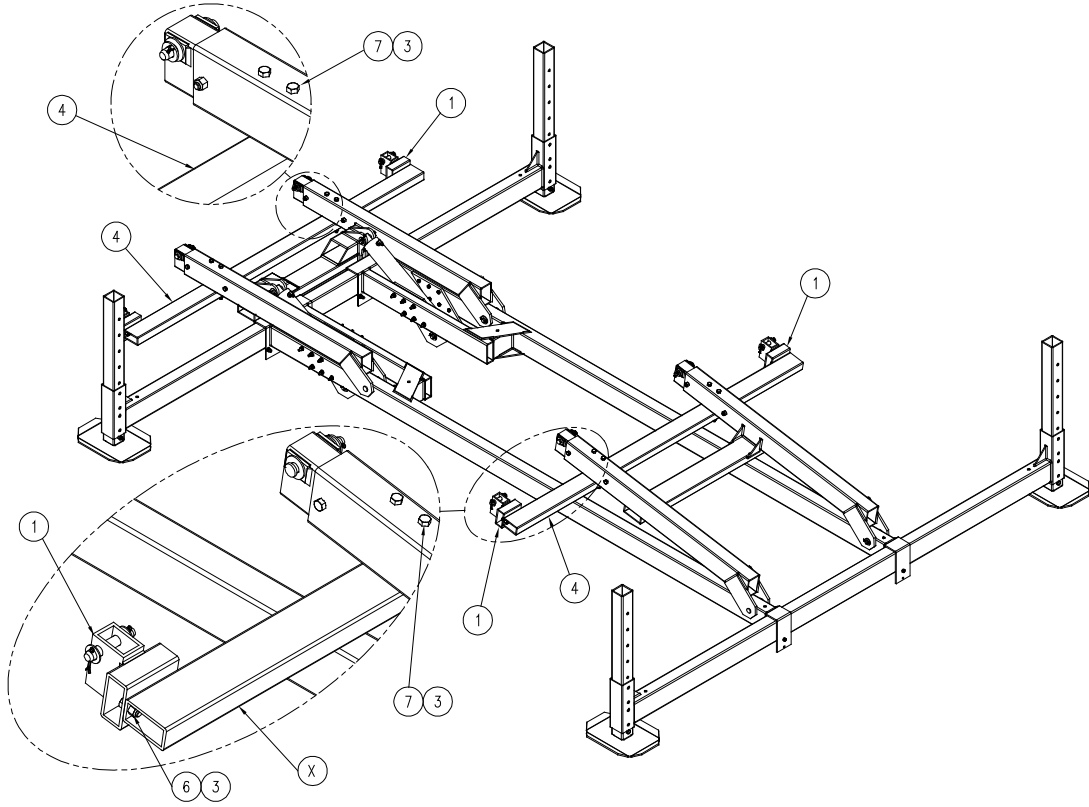


Figure 2-4A.
HL5-7K (48" LIFT) Cross Support Mounting

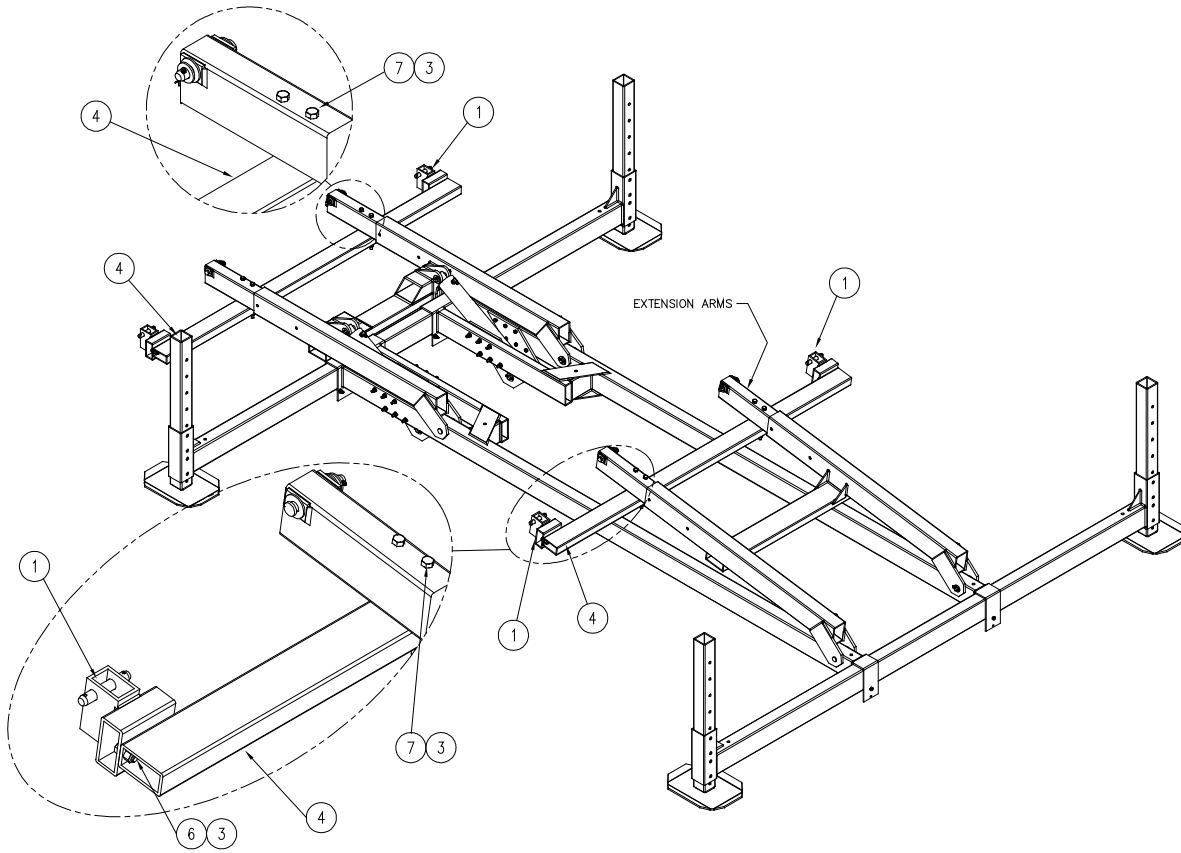


Figure 2-4B.
HL5-7K (60" LIFT) Cross Support Mounting

2.5 HL5-7K PONTOON BUNK SUPPORTS

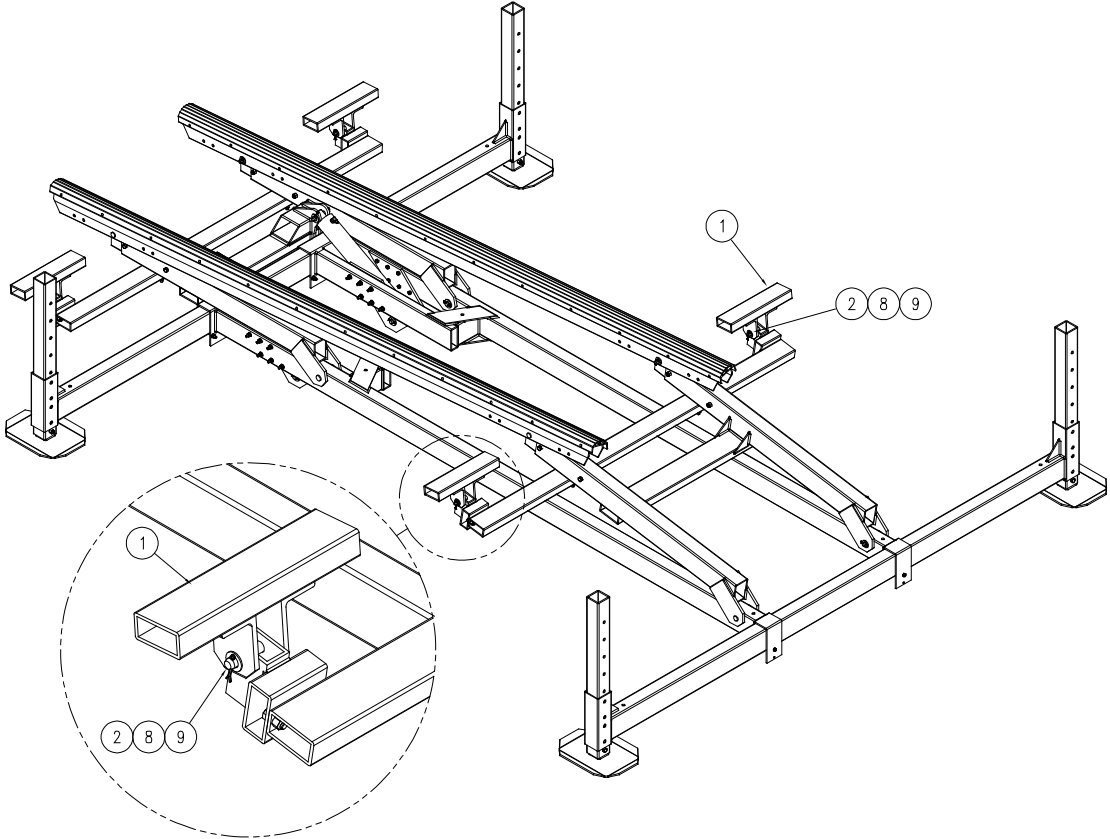


Figure 2-5A.
HL5-7K (48" Lift) Pontoon Bunk Support Weldment

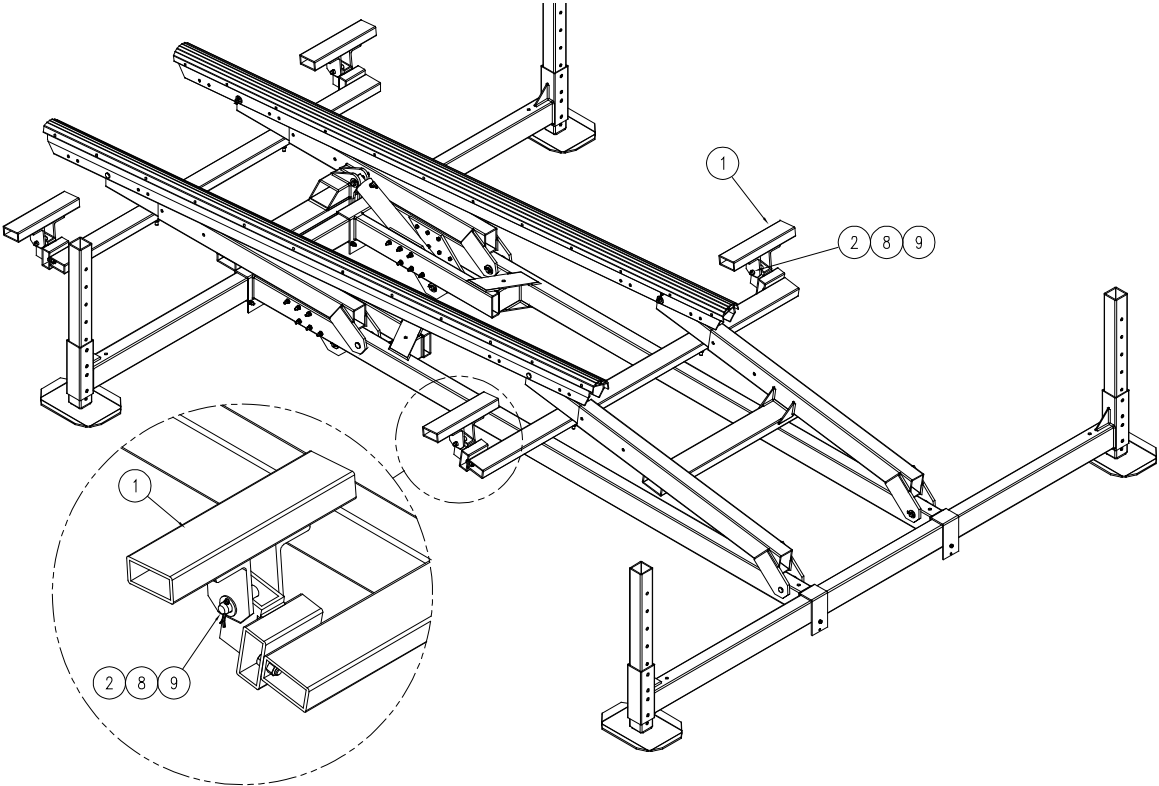


Figure 2-5B.
HL5-7K (60" Lift) Pontoon Bunk Support Weldment

3 HL5-7K PONTOON BOLT-ON KIT INSTRUCTIONS

3.1 411060 HL5-7K PONTOON BOLT-ON KIT (USED ON BOTH 48" & 60" LIFT)

Reference	Part Number	Quantity	Description
1	4113524	4	HL PONTOON BUNK SUPT WELDMENT
2	4107914	4	HL CLEVIS PIN 3/4 X 4-3/8 SS
3	5897018	16	NUT HEX NYLOCK 1/2-13 SS
4	4113731	2	HL PONTOON CROSS SUPT TUBE 83"
5	4113527	4	HL PONTOON PIVOT TUBE WELDMENT
6	5896281	8	HHCS 1/2-13 X 1-1/4 SS
7	5896635	8	HHCS 1/2-13 X 8 SS
8	5894108	8	PIN, COTTER 5/32 X 1-3/4 SS
9	5896417	8	WASHER FLAT SAE 3/4 SS

RECOMMENDED WOOD (NOT INCLUDED)

- 4 PCS 2" x 8" x 12' PRESSURE TREATED WOOD