



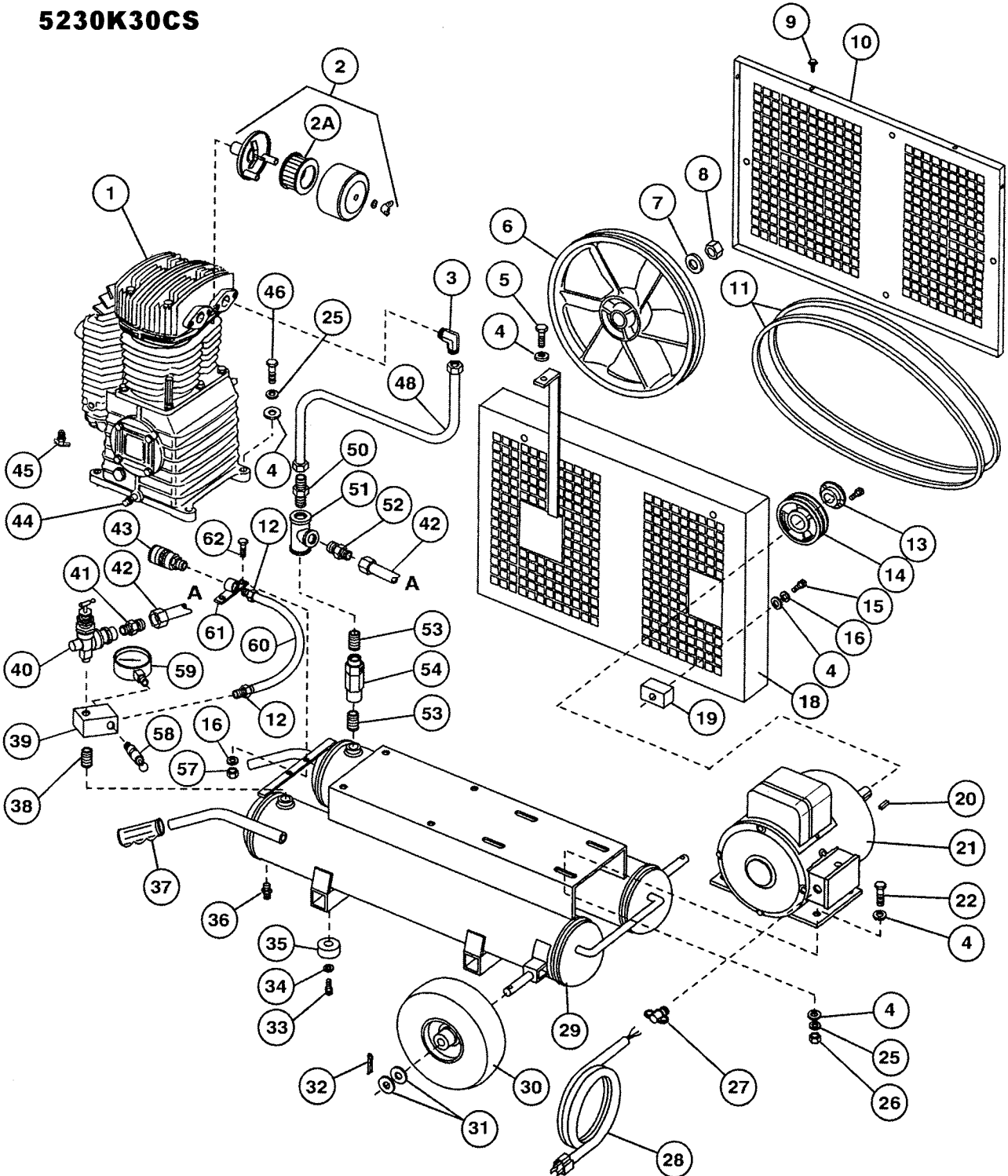
ROLAIR

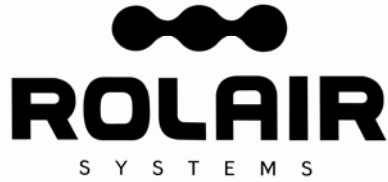
SCHEMATIC FOR MODELS

3230K24CS

4230K28CS

5230K30CS





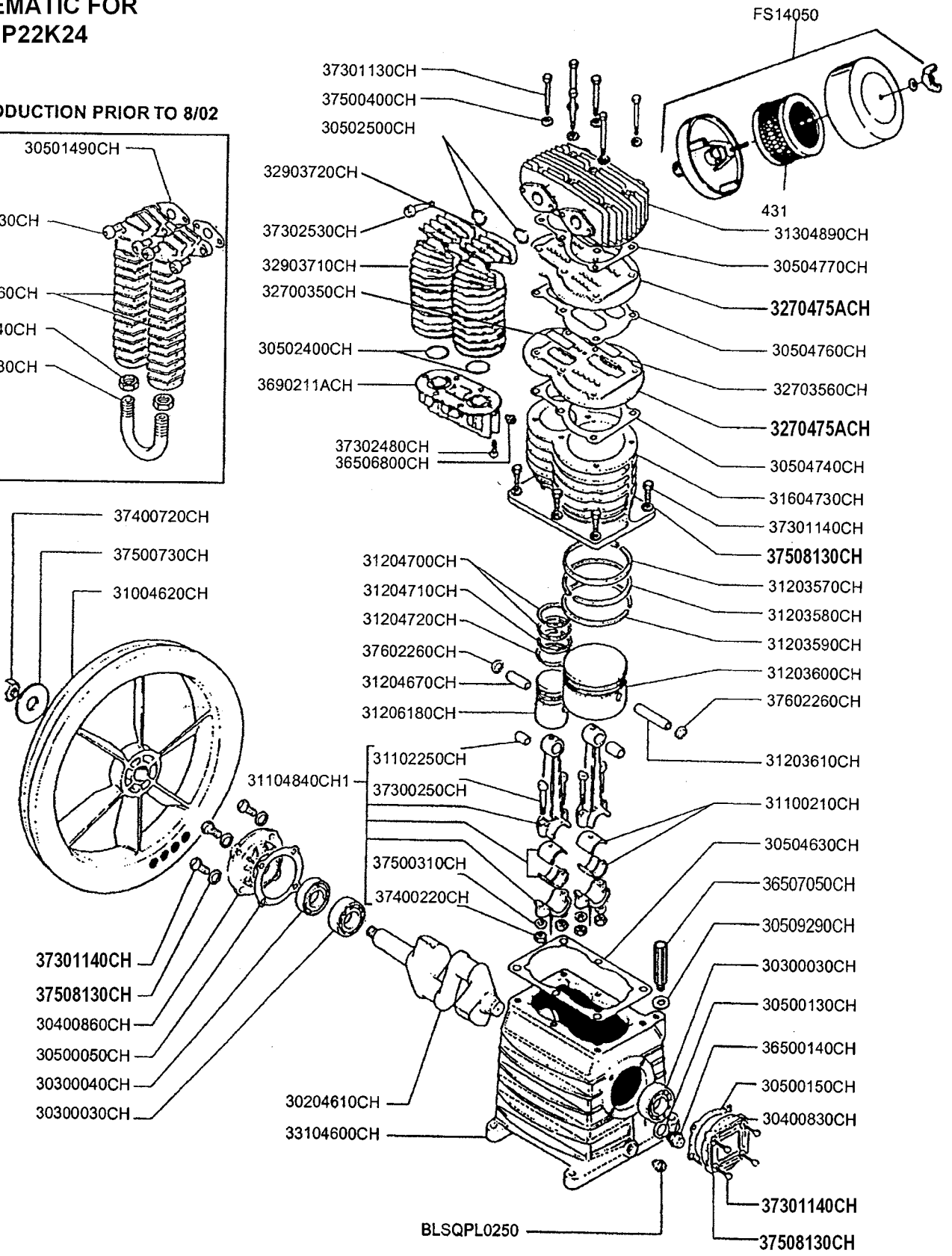
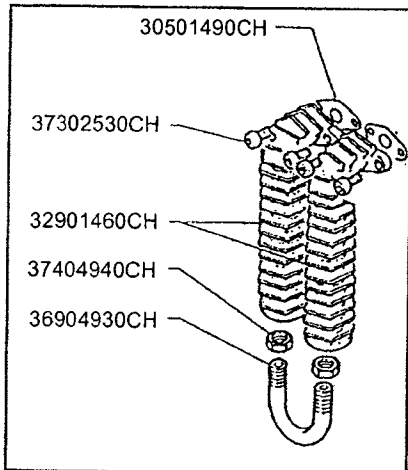
**PARTS LIST FOR MODELS
3230K24CS, 4230K28CS & 5230K30CS**

Schem #	Description	Part #	Qty.	Schem #	Description	Part #	Qty.
1	II Stage Pump w/Flywheel – Model 5230K30CS	PMP22K30CH	1	20	Keystock	MIS10096C	1
	II Stage Pump w/Flywheel – Model 3230K24CS	PMP22K24CH	1	21	5 HP Motor w/Overload – Model 5230K30CS	MTRG105	1
	II Stage Pump w/Flywheel – Model 4230K28CS	PMP22K28CH	1		3 HP Motor – Models 3230K24CS & 4230K28CS	MTRE101	1
2	Silencer/Filter Assembly – Models 5230K30CS & 4230K28CS	FS14075	1	22	Bolt	MIS10041	4
		FS14050	1	25	Lock Washer	MIS10100	4
	Silencer/Filter Assembly – Model 3230K24CS	431	1	26	Nut	MIS10040	4
				27	Box Connector	161	1
2A	Replacement Filter Element for Above	431	1	28	Cord w/220V Plug	175	1
3	Brass Elbow	BREL0750X075039	1	29	Twin Tank Assembly – Model 5230K30CS	TNKASSY5230K30	1
4	Washer	MIS10103	10		Twin Tank Assembly – Models 3230K24CS & 4230K28CS	TNKASSY3230K24	1
5	Bolt – Models 5230K30CS & 4230K28CS	37308060CH	1	30	Fully-Pneumatic Tire w/Sealant	WLS30SEAL	2
	Bolt – Model 3230K24CS	37301130CH	1	31	Washer	MIS10104	4
6	Flywheel – Model 3230K24CS & 4230K28CS	31004620CH	1	32	Cotter Pin	181B	2
		31003040CH	1	33	Screw	MIS10008	4
7	Washer – Models 5230K30CS & 4230K28CS	37502450CH	1	34	Washer	MIS10102	4
		37500730CH	1	35	Rubber Foot	219	4
8	Nut – Models 5230K30CS & 4230K28CS	37403780CH	1	36	Drain Valve	132BV	2
		37400720CH	1	37	Handle Grip	328	2
9	Bolt	MIS10094	5	38	Nipple	BLNP0500X1500	1
10	Belt Guard Cover	BG8423	1	39	Aluminum Block Manifold	154	1
11	Belt	BTA63	2	40	Pilot Unloader Valve	131BIG	1
12	Brass Coupler	BRCP0375X0375H12	2	41	Brass Straight	BRST0500X025038	1
13	Bushing	H1X1.125	1	42	½" Copper Tubing – Specify Model	MIS11101C	1.2'
14	Pulley	PU2BK80H	1	43	Quick Disconnect	309A	1
15	Bolt	MIS10023	2	44	Nipple – Cap #BLCA0250	BLNP0250X1500	1
16	Lock Washer	MIS10099	4	45	Drain Valve	132	1
18	Belt Guard Assembly – Models 3230K24CS & 4230K28CS	BG3230K24ASSY	1	46	Bolt	MIS10043	4
		BG5230K30ASSY	1	48	¾" Copper Tubing – Specify Model	MIS11102A	3'
19	Aluminum Spacer	MTL1002	2	50	Brass Straight	BRST0750X050038	1
				51	Tee	BLTE0500	1
				52	Brass Straight	BRST0500X050038	1
				53	Nipple	BLNP0500X	1
				54	Check Valve	CV4X4L	1
				57	Nut	MIS10020	2
				58	Safety Relief Valve	SRV0250A175	1
				59	Gauge – Tank	GA0250300GC	1
				60	3/8" Rubber Hose – 16"	178A	1.34'
				61	Accessory Bracket	210	1
				62	Bolt	MIS10022	1

ROLAIR

SCHEMATIC FOR PMP22K24

PRODUCTION PRIOR TO 8/02





PARTS LIST FOR PMP22K24

Description	Part #	Qty.	Description	Part #	Qty.
Crankshaft	30204610CH	1	Left Intercooler	32903710CH	1
Bearing	30300030CH	2	Right Intercooler	32903720CH	1
Oil Seal	30300040CH	1	Crankcase	33104600CH	1
Bearing Carrier	30400830CH	1	Sight Gauge	36500140CH	1
Bearing Carrier	30400860CH	1	3/8" Breather/Oil Fill Plug	36507050CH	1
Gasket	30500050CH	1	Plug	36506800CH	1
Gasket	30500130CH	1	Connector	3690211ACH	1
Gasket	30500150CH	1	Bolt	37300250CH	4
O-Ring	30502400CH	2	Bolt	37301130CH	6
O-Ring	30502500CH	2	Bolt	37301140CH	14
Gasket	30504630CH	1	Bolt	37302480CH	6
Gasket	30504740CH	1	Bolt	37302530CH	4
Gasket	30504760CH	1	Nut	37400220CH	4
Gasket	30504770CH	1	Nut	37400720CH	1
O-Ring	30509290CH	1	Washer	37500310CH	4
Flywheel	31004620CH	1	Washer	37508130CH	14
Bearing Shell	31100210CH	2	Washer	37500400CH	6
Bushing*	31102250CH	2	Washer	37500730CH	1
Connecting Rod Assembly	31104840CH1	2	Snap Ring	37602260CH	4
Ring - LP	31203570CH	1	Filter Element	431	1
Ring - LP	31203580CH	1	Plug	BLSQPL0250	1
Ring - LP	31203590CH	1	Silencer/Filter Assembly	FS14050	1
Piston - LP	31203600CH	1	Ring Set	K24RINGS	1
Piston Pin - LP	31203610CH	1	Gasket Set	K24GASKETS	1
Piston Pin - HP	31204670CH	1	Valve Plate Assembly	2400VK24	1
Ring - HP	31204700CH	2	INTERCOOLER/AFTERCOOLER PARTS PRIOR TO		
Ring - HP	31204710CH	1	AUGUST 2002		
Ring - HP	31204720CH	1	Gasket	30501490CH	2
Piston - HP	31206180CH	1	Intercooler	32901460CH	2
Head	31304890CH	1	Connector	36904930CH	1
Cylinder	31604730CH	1	Bolt	37302530CH	4
Valve - HP	32700350CH	2	Nut	37404940CH	2
Valve - LP	32703560CH	2			
Valve Plate	3270475ACH	2			

*Bushing is not machined to fit piston pin if ordered separate from connecting rod.