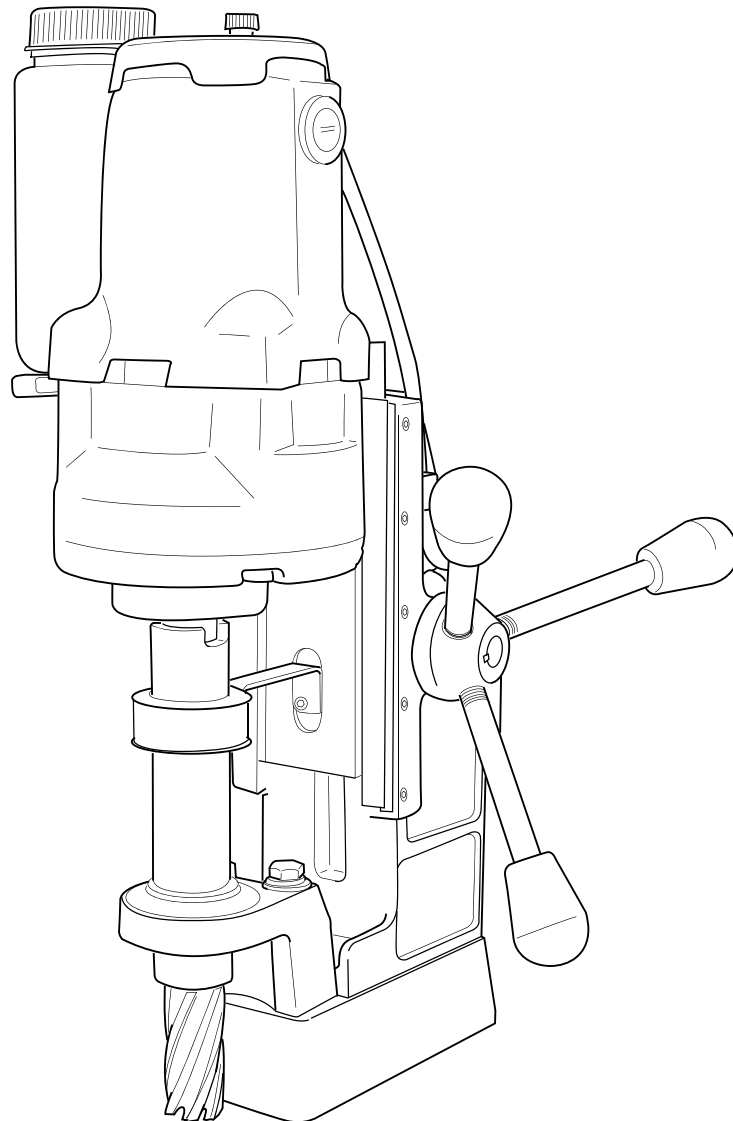




# **HMD907CAUS**

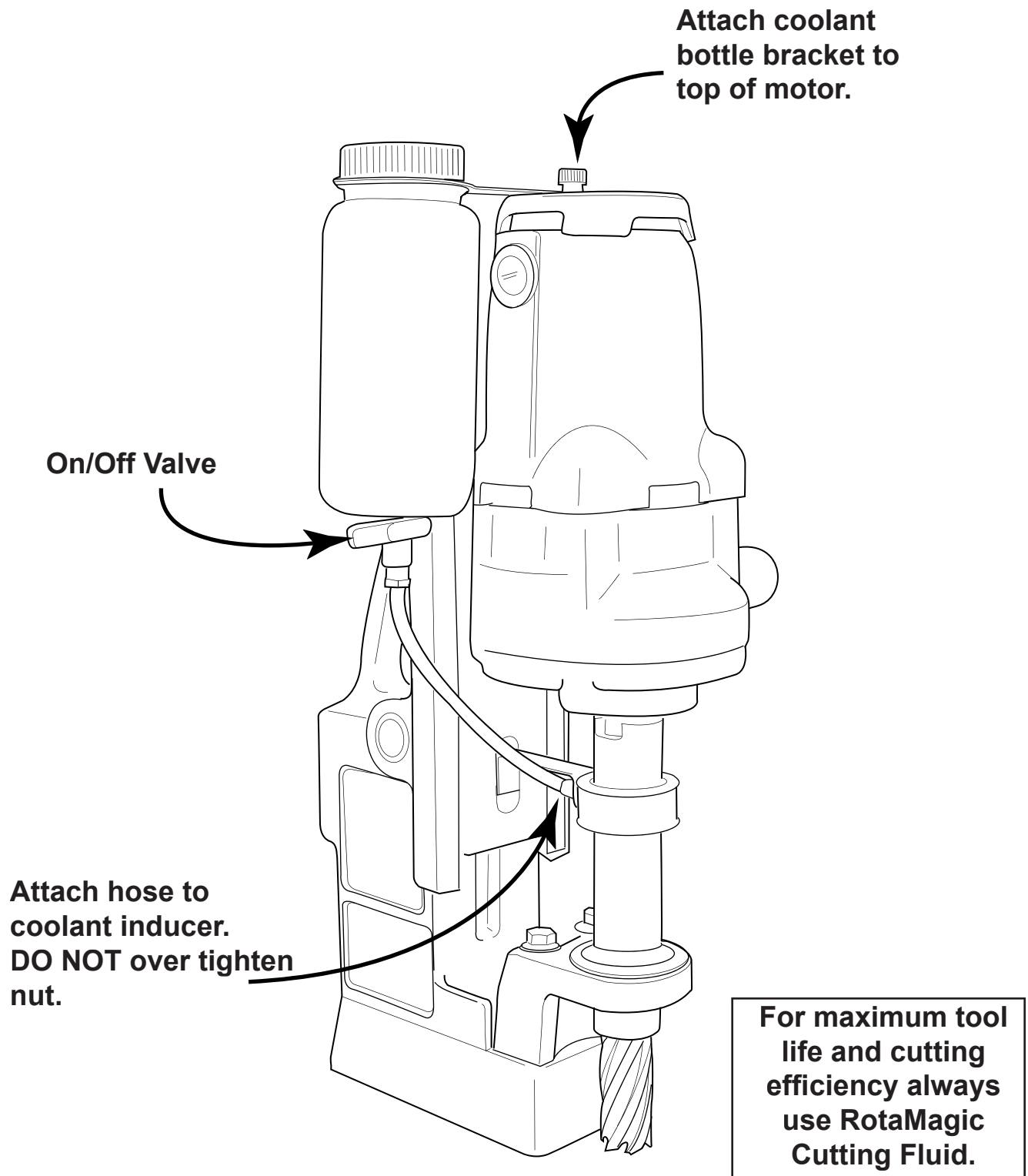
## **PORTABLE MAGNETIC DRILLS**

### **OPERATOR'S MANUAL**

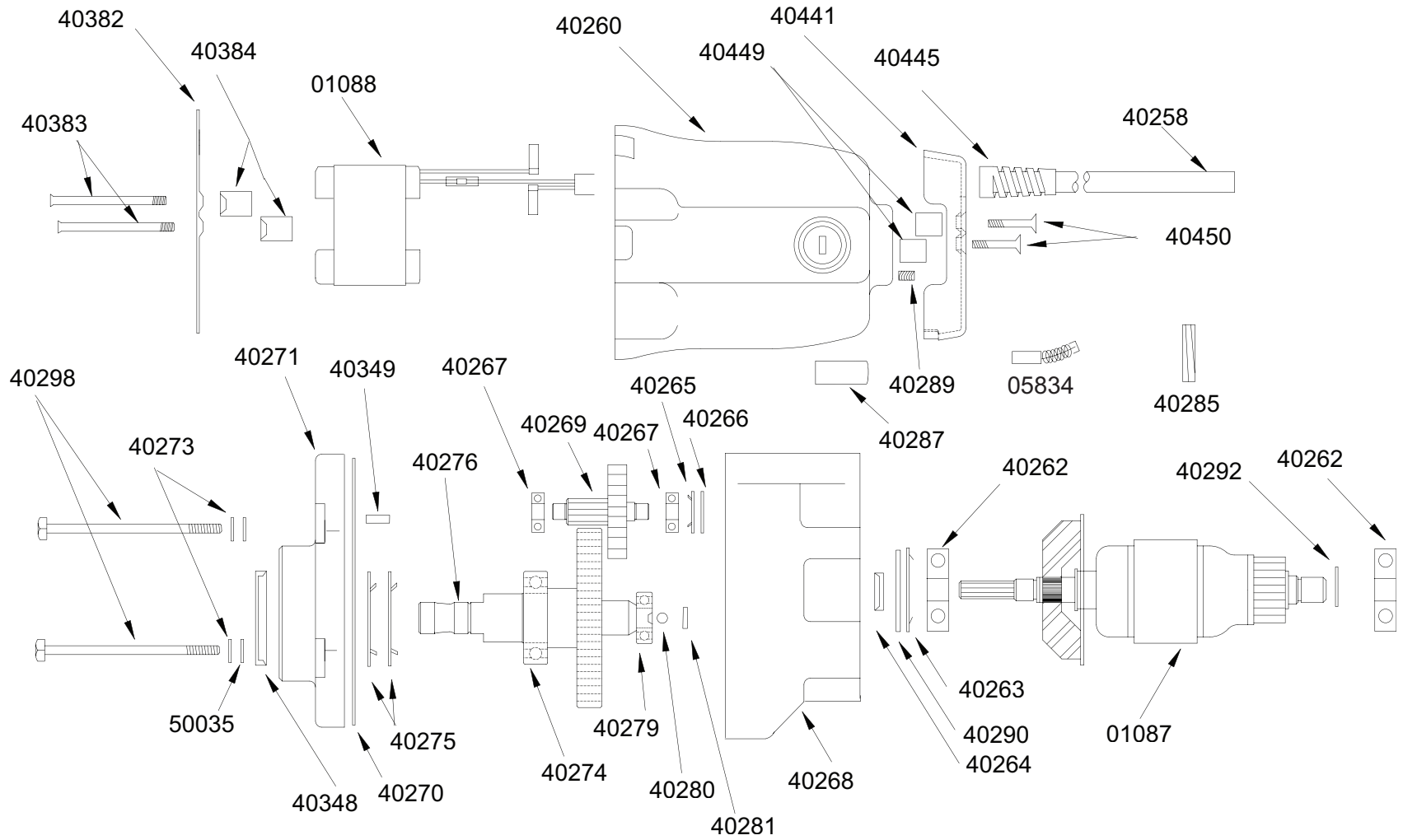


**FOR USE WITH "12,000-SERIES" HOUGEN<sup>®</sup> CUTTERS**

## INSTALLING COOLANT BOTTLE



# Motor Exploded View and Parts List

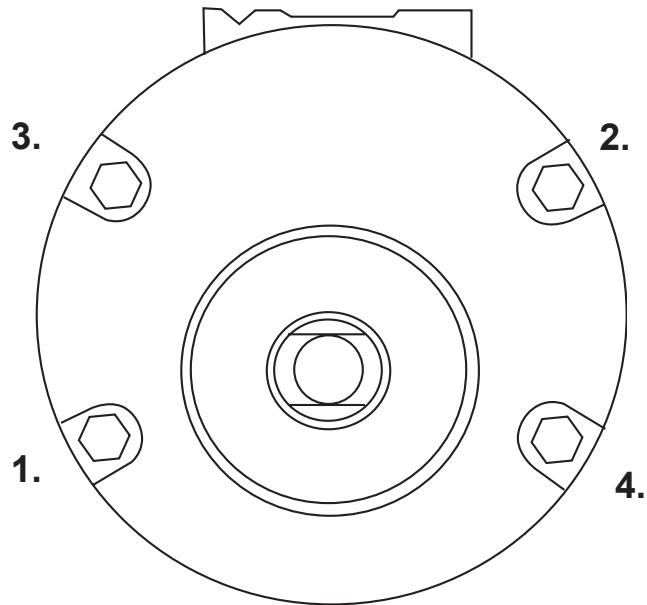


10

**40287 Torque to 4 - 6 in/lb**  
**40383 Torque to 15 - 25 in/lb (Use Loctite® #242)**  
**40287 Loctite® #271 to outside of Brush Holder**

# Motor Bolt Sequence

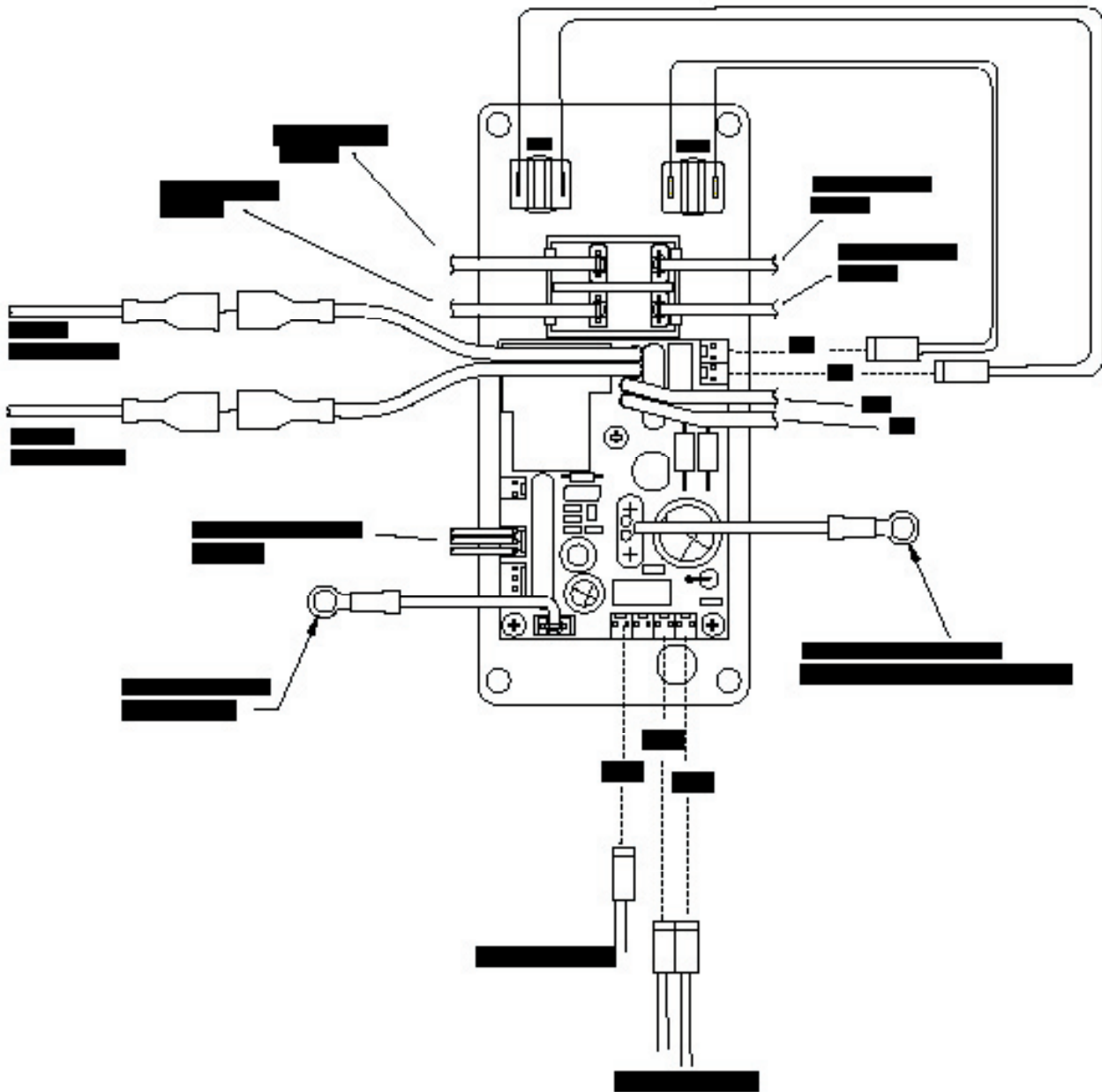
1. Tighten bolts in the sequence shown to 5 - 10 in/lb.
2. Retighten bolts in the same sequence to 35 - 40 in/lb.



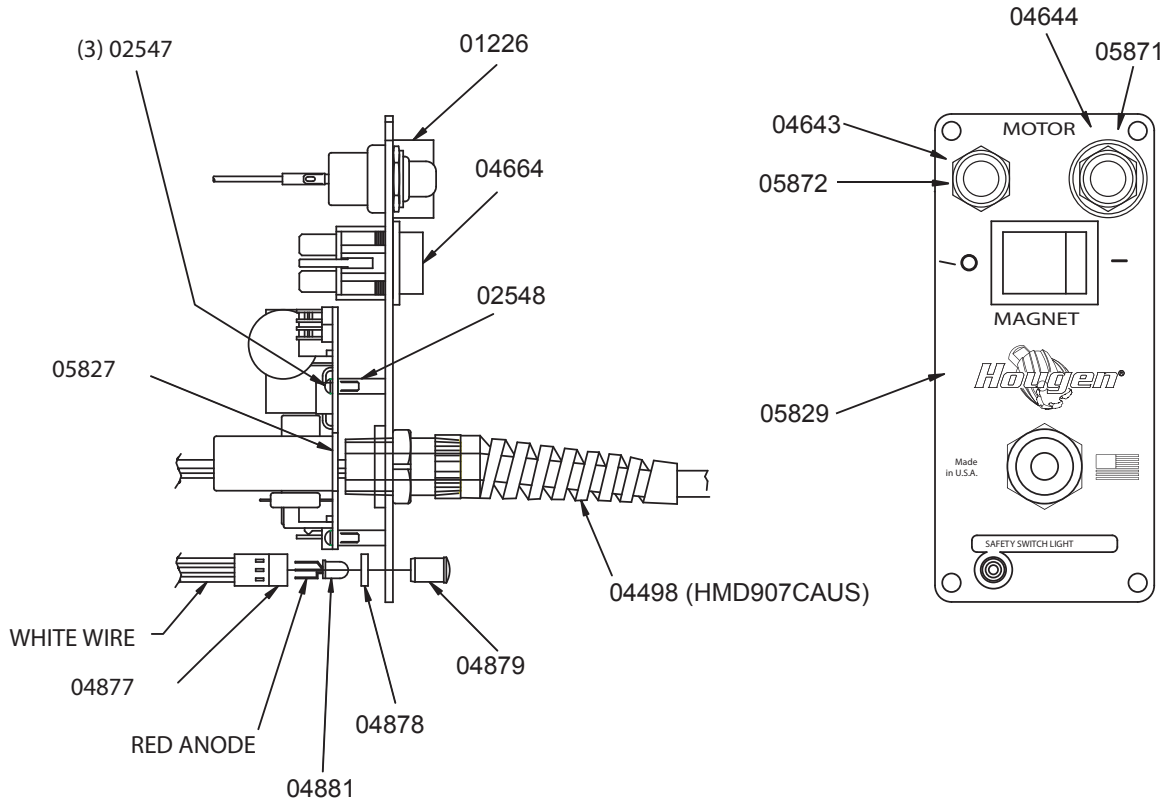
## Motor Parts List

| Part # | Description             | Qty | Part # | Description           | Qty   |
|--------|-------------------------|-----|--------|-----------------------|-------|
| 01087  | Armature 230V           | 1   | 40281  | Motor Slug            | 1     |
| 01088  | Field 230V              | 1   | 40285  | Brush Plug            | 2     |
| 05834  | Carbon Brushes (pair)   | 1   | 40287  | Brush Holder          | 2     |
| 40258  | Motor Cord              | 1   | 40289  | Screw #10-32 x 1/4"   | 2     |
| 40260  | Housing, Brush End      | 1   | 40290  | Washer                | 1     |
| 40262  | Bearing                 | 2   | 40292  | Retaining Ring        | 1     |
| 40263  | Flat Spring             | 1   | 40298  | Screw 1/4-20 x 3-1/2" | 4     |
| 40264  | Seal                    | 1   | 40348  | Seal                  | 1     |
| 40265  | Flat Spring             | 1   | 40349  | Plug                  | 1     |
| 40266  | Washer                  | 1   | 40350  | Syntech Grease        | 8 oz. |
| 40267  | Bearing                 | 2   | 40382  | Baffle                | 1     |
| 40268  | Gear Housing            | 1   | 40383  | Screw #10-32          | 2     |
| 40269  | Gear Cluster            | 1   | 40384  | Baffle Spacer         | 2     |
| 40270  | Gasket                  | 1   | 40441  | End Cap               | 1     |
| 40271  | Cap. Gear Housing       | 1   | 40445  | Strain Relief         | 1     |
| 40273  | Lock Washer 1/4"        | 4   | 40449  | Spacer                | 2     |
| 40274  | Bearing                 | 1   | 40450  | Screw #10-32 x 1"     | 2     |
| 40275  | Flat Spring             | 2   | 50035  | Washer 1/4" Int Tooth | 4     |
| 40276  | Gear Output w/ Bearings | 1   | 90424  | Brush Holder Clip     | 2     |
| 40279  | Bearing                 | 1   |        |                       |       |
| 40280  | Ball                    | 1   |        |                       |       |

# CONTROL PANEL HOOK UP DIAGRAM



# CONTROL PANEL PARTS

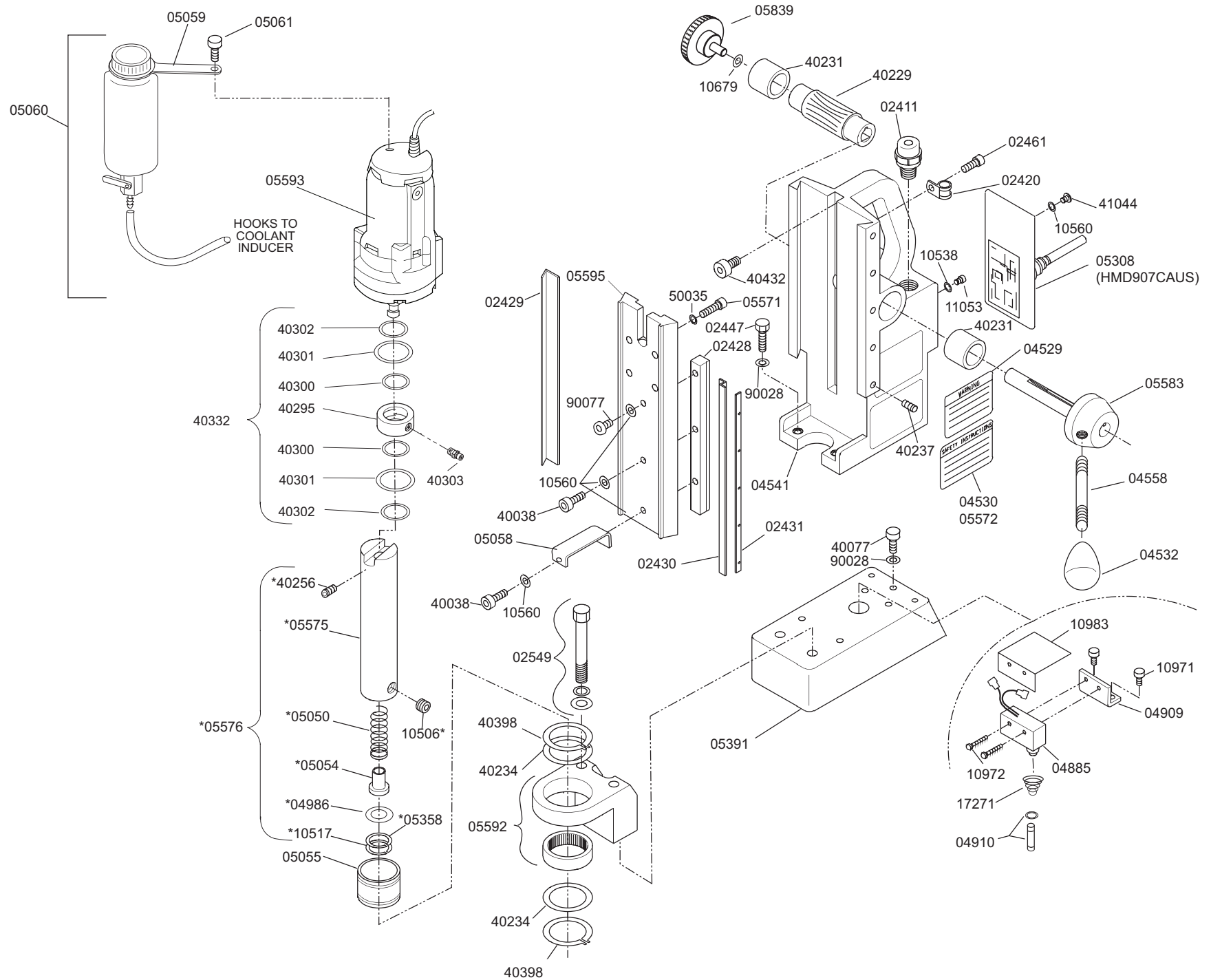


NOTE: WHEN INSERTING L.E.D. DETAIL#5 INTO  
HARNES DETAIL#2 MAKE SURE FLAT ON BULB  
LINES UP WITH WHITE WIRE ON HARNES.

**CONTROL PANEL ASSEMBLY COMPLETE**  
HMD907CAUS: 05942

| Part # | Description                | Qty | Part # | Description      | Qty |
|--------|----------------------------|-----|--------|------------------|-----|
| 01226  | Switch Guard               | 1   | 04879  | Clear Lens       | 1   |
| 02547  | #4-40 x 5/16 Screw         | 3   | 04881  | L.E.D Bulb       | 1   |
| 02548  | Stand-off 3/16 x 9/16      | 3   | *05205 | Green Wire Assy, | 1   |
| 04643  | Red Switch Cover           | 1   | 05827  | Circuit Board    | 1   |
| 04644  | Green Switch Cover         | 1   | 05829  | Faceplate        | 1   |
| 04664  | Magnet Switch              | 1   | 05871  | Motor ON Switch  | 1   |
| 04498  | Power Cord<br>(HMD907CAUS) | 1   | 05872  | Motor OFF Switch | 1   |
| 04877  | Wire Harness               | 1   | *90690 | Cable Tie        | 1   |
| 04878  | Spacer                     | 1   |        | * Not Shown      |     |

# MODEL HMD907 EXPLODED DIAGRAM



# HMD907 - PARTS LIST

| Part # | Description                 | Qty | Part # | Description             | Qty |
|--------|-----------------------------|-----|--------|-------------------------|-----|
| 02411  | Strain Relief - Motor Cord  | 1   | 05584  | Housing Assembly        | 1   |
| 02420  | Motor Cord Clamp            | 1   | 05592  | Front Support Bracket   | 1   |
| 02428  | Rack Gear                   | 1   | 05593  | 230V Motor              | 1   |
| 02429  | Brass Gib - Right           | 1   | 05595  | Motor Slide             | 1   |
| 02430  | Brass Gib - Left            | 1   | 05839  | Knob                    | 1   |
| 02431  | Steel Gib                   | 1   | 10506  | Set Screw 3/8-24        | 2   |
| 02447  | Bolt-Hex Head 1/4-28        | 2   | 10517  | Retaining Ring          | 1   |
| 02461  | BHC Screw 1/4-20            | 1   | 10538  | Lock Washer             | 1   |
| 02549  | 3/8" Bolt Kit               | 1   | 10560  | Lock Washer #10 Ext     | 7   |
| 03857  | Screw Hex Head #4-40        | 16  | 10679  | 1/4 Flat washer         | 1   |
| 04529  | Warning Tag                 | 1   | 10971  | SHC Screw 1/4-20 x 1/2  | 2   |
| 04530  | Safety Tag                  | 1   | 10972  | BHC Screw #6-32 x 1/2   | 1   |
| 04532  | Feed Handle Knob            | 3   | 10983  | Safety Switch Shield    | 1   |
| 04558  | Feed Handle                 | 3   | 11053  | BHC Screw #8-32         | 1   |
| 04885  | Safety Switch Assy          | 1   | 17271  | Spring                  | 1   |
| 04909  | Bracket Safety Switch       | 1   | 40038  | SHC Screw #10-32        | 2   |
| 04910  | Plunger Assy                | 1   | 40077  | SHC Screw 1/4-20        | 1   |
| 04986  | Rubber Washer               | 1   | 40229  | Feed Gear               | 1   |
| 05050  | Compression Spring          | 1   | 40231  | Bronze Bushing          | 2   |
| 05054  | Spring Seat                 | 1   | 40234  | Thrust Washer           | 2   |
| 05055  | Collar                      | 1   | 40237  | Gib Screw               | 5   |
| 05058  | Bracket for Coolant Inducer | 1   | 40256  | Set Screw 5/16-18 x 3/8 | 1   |
| 05059  | Holder for Coolant Bottle   | 1   | 40295  | Coolant Inducer Collar  | 1   |
| 05560  | Coolant Bottle Assy         | 1   | 40300  | O-Ring                  | 2   |
| 05061  | Plastic Knob                | 1   | 40301  | Washer                  | 2   |
| 05308  | Control Panel               | 1   | 40302  | Retaining Ring          | 2   |
| 05358  | Washer Shim                 | 1   | 40303  | Tube Fitting            | 1   |
| 05391  | Magnet                      | 1   | 40332  | Coolant Inducer Assy    | 1   |
| 05571  | LHC Screw 1/4-28 x 3/4      | 4   | 40398  | Retaining Ring          | 1   |
| 05572  | Drill Label                 | 1   | 40432  | SHC Screw 1/4-28        | 1   |
| 05575  | Arbor Body                  | 1   | 41044  | BHC Screw #10-32        | 6   |
| 05576  | Arbor Assy                  | 1   | 50035  | Lock Washer 1/4 Ext     | 4   |
| 05583  | Hub Assembly                | 1   | 90028  | Lock Washer 1/4 Heli    | 3   |
|        |                             |     | 90077  | BHC Screw #10-32        | 1   |