

OPERATION AND PARTS MANUAL

STOW

A DIVISION OF MULTIQUIP INC.

STR46SP RIDE-ON POWER TROWEL

Revision #1 (08/01/06)

**THIS MANUAL MUST ACCOMPANY
THE EQUIPMENT AT ALL TIMES.**

P/N 21826

STR46SP — TABLE OF CONTENTS

Proposition 65 Warning	2	Steering Handles Assembly (Right/Left)	50-51
Respiratory/Silicosis Warnings	3	Steering Assist Control Assembly (Right/Left) ...	52-53
Table of Contents	4	Gearbox Assembly (Right)	54-55
Parts Ordering Procedures	5	Gearbox Assembly (Left)	56-57
Training Checklist	6	Single Pitch Handle Assembly (Right/Left)	58-59
Daily Pre-Operation Checklist	7	Drive Assembly	60-61
Safety Message Alert Symbols	8-9	Engine/Muffler/Belt Assembly	62-63
Rules For Safe Operation	10-13	Air Cleaner/Oil Filter/Oil Cleaner Assembly	64-65

STOW — STR46SP RIDE-ON POWER TROWEL

Operation And Safety Decals	14	Throttle Cable/Foot Pedals Assembly	74-75
Specifications	15	Control Panel Assembly	76-77
Engine Specifications	16	Fuel Assembly	78-79
General Information	17	Battery Assembly	80-81
Controls and Indicators	18-19	Seat Frame Assembly	82-83
Basic Engine	20	Terms and Conditions of Sale	84
New Machine Setup Instructions	21		
Initial Start-Up	22		
Operation	23-24		
Maintenance	25-38		
Engine Troubleshooting	39-40		
Troubleshooting (Trowel)	41-42		
Explanation of Code in Remarks Column	44		
Suggested Spare Parts	45		
Nameplate and Decals	46-47		
Pivot Assembly (Right/Left)	48-49		

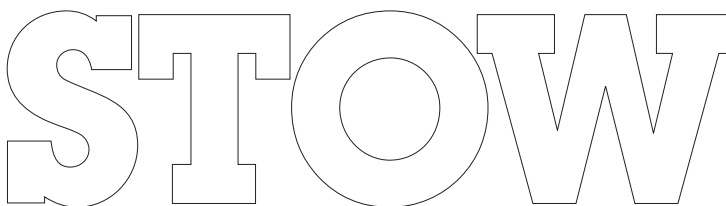
STR46SP — OPERATION AND SAFETY DECALS

Machine Safety Decals

The STR46SP Ride-On Power Trowel is equipped with a number of operation and safety decals. These decals are provided for operator safety and maintenance information. Should any of these decals become unreadable, replacements can be obtained from your dealer.



P/N 35137



P/N 11111 11" x 3"



P/N TBD



P/N: 21455



P/N 2814 (WHITE)



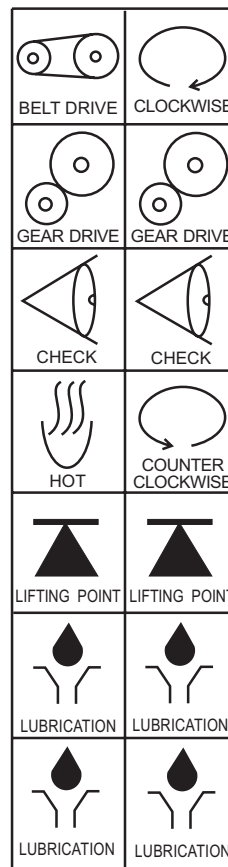
P/N 35168



P/N 36099 (ISO Blue)



P/N 20953



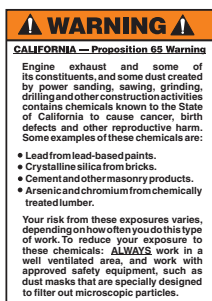
P/N: 11246



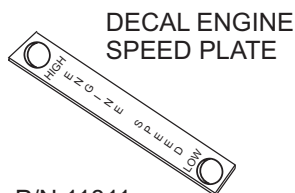
CONTACT SERVICE DEPARTMENT



P/N 2634



P/N 20525



P/N 11811



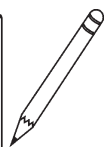
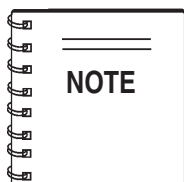
P/N: 13118

STR46SP — SUGGESTED SPARE PARTS

STR46SP KOHLER ENGINES

1 Unit

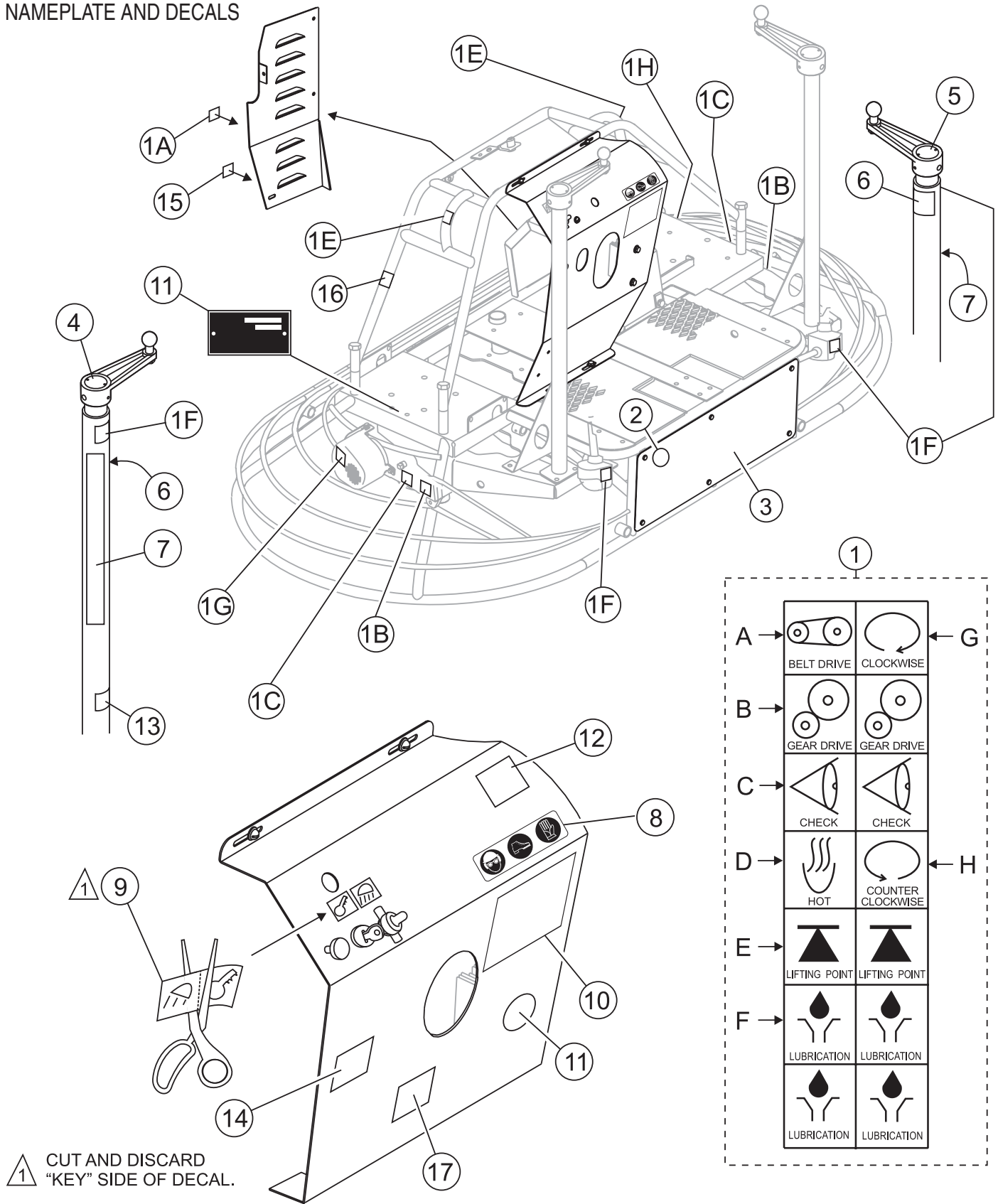
Qty.	P/N	Description	Qty.	P/N	Description
			10	10031	WASHER 1/4 IN.
			1	12548	SPRAY PUMP
			1	392292	SPRAY NOZZEL
			1	2108	CAP, SPRAY TANK
			1	2673	CIRCUIT BREAKER 30A, 12V
			1	4682	TOGGLE SWITCH
			1	8381	BOOT, TOGGLE SWITCH
			1	12005	ENGINE-OFF SAFETY SWITCH
			1	12018	CONNECTOR, RELAY
			1	12017	RELAY, ENGINE-OFF SWITCH
			1	2405002S	FUEL FILTER, PRIMARY, 27 HP
			1	2405010S	FUEL FILTER, SECONDARY, 27 HP
			1	0450905002	FUEL FILTER, CANNISTER 28 HP
			1	2439320S	FUEL PUMP, 28 HP
			1	2408303S	ELEMENT, AIR FILTER 27/28 HP
			1	2408303S	ELEMENT, PRE-CLEAN 27/28 HP
			1	5205002S	OIL FILTER, 27HP
			1	1205001S	OIL FILTER, 28, HP
			2	2513212S	SPARK PLUG, 27 HP
			2	1213202S	SPARK PLUG, 28 HP
			1	20138	BELT, CVT-COMET
			1	5475521S	REGULATOR, RECTIFIER 27HP
			1	2540308S	REGULATOR, RECTIFIER 28HP
4	21495	TROWEL ARM, LH			
4	2829	TROWEL ARM, RH			
4	11903	LEVER TROWEL ARM (L.S.)			
4	11904	LEVER TROWEL ARM (R.S.)			
2	20938	THRUST COLLAR KIT			
2	12785	SPIDER KIT			
20	0166 A	WASHER			
20	1876	JAM NUT			
20	0164 B	SCREW			
4	11039	BUSHING			
4	11595	SPRING (L.S.)			
4	11594	SPRING (R.S.)			
20	1875	WASHER			
20	1322	SCREW ASSY, ARM RETAINING			
20	1162 A	CAP GREASE FITTING			
4	0131 A	SCREW (HHC 1/4 - 20 X 3/4)			
4	0948	WASHER, FLAT			
1	20138	BELT, DRIVE CVT			
20	0181 B	WASHER 1/4 IN			
1	11418	FUEL CAP/GAUGE (ENG)			
1	19633	BUSHING, RUBBER FUEL			
1	2124	CABLE, THROTTLE (FOOT PEDAL)			
1	2153	ROD END, FEM RH (THROTTLE CABLE)			
6	11143	ROD END, FEM RH 1/2 - 20 (STEERING)			
4	2063	ROD END, MALE RH 3/8 - 24 (STEERING)			
2	11142	ROD END, MALE RH 1/2 - 20 (STEERING)			
4		BLADE ASSY. CONTACT UNIT SALES DEPT/ ACCESSORY ITEM			



Part numbers on this Suggested Spare Parts List may supersede/replace the P/N shown in the text pages of this book.

STR46SP — NAMEPLATE AND DECALS

NAMEPLATE AND DECALS



1

A →			← G
	BELT DRIVE	CLOCKWISE	
B →			
	GEAR DRIVE	GEAR DRIVE	
C →			
	CHECK	CHECK	
D →			← H
	HOT	COUNTER CLOCKWISE	
E →			
	LIFTING POINT	LIFTING POINT	
F →			
	LUBRICATION	LUBRICATION	
	LUBRICATION	LUBRICATION	

CUT AND DISCARD
"KEY" SIDE OF DECAL.

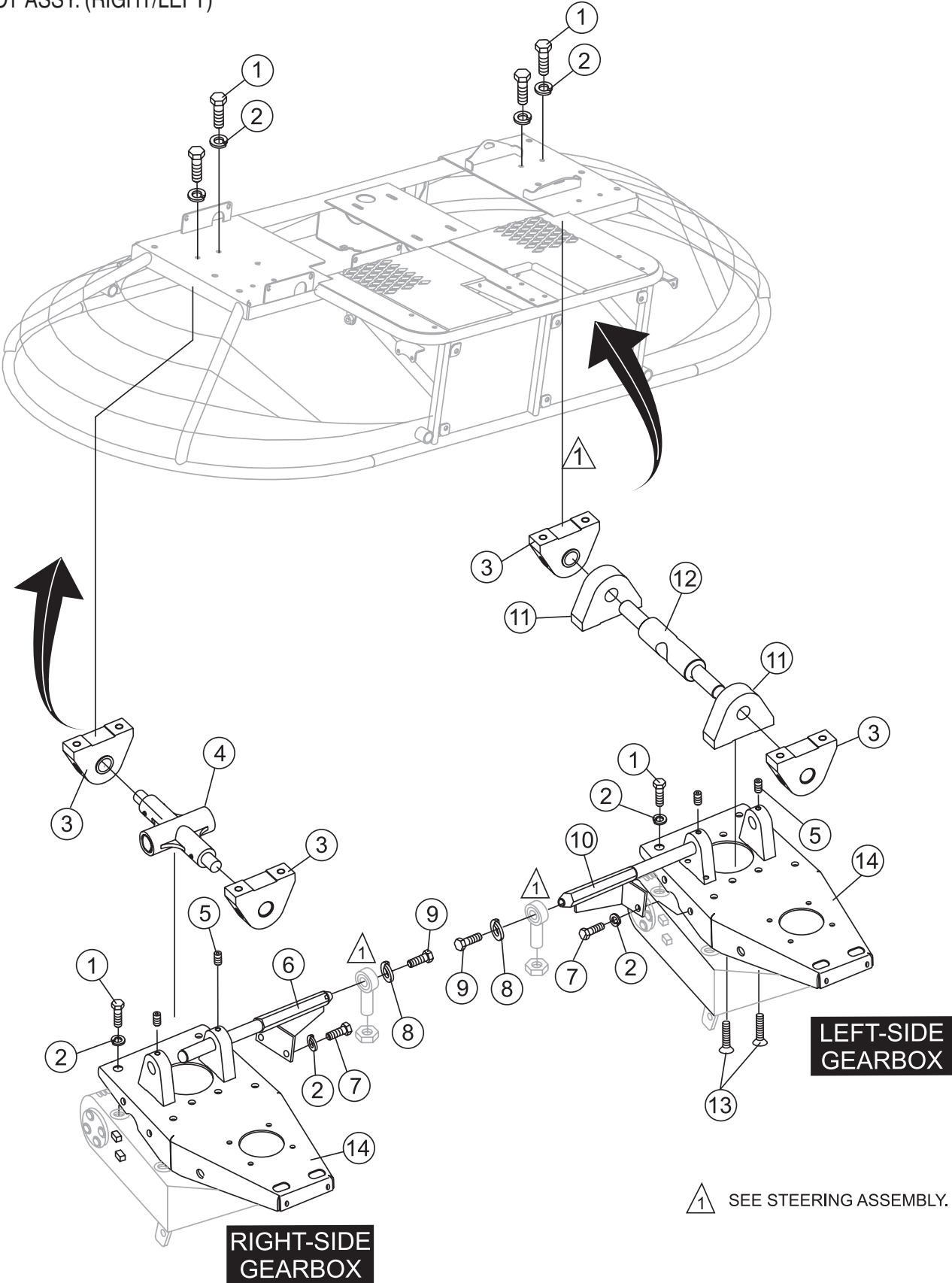
STR46SP — NAMEPLATE AND DECALS

NAMEPLATE AND DECALS

<u>NO.</u>	<u>PART NO.</u>	<u>PART NAME</u>	<u>QTY.</u>	<u>REMARKS</u>
1	11246	DECAL SET, INTERNATIONAL STDS	1	INCLUDES ITEMS W/*
1A*		DECAL, BELT DRIVE	1	
1B*		DECAL, GEAR DRIVE	1	
1C*		DECAL, CHECK OIL	1	
1D*		DECAL, HOT SURFACE	1	
1E*		DECAL, LIFT POINT	1	
1F*		DECAL, LUBRICATION	1	
1G*		DECAL, CLOCKWISE ROTATION	1	
1H*		DECAL, COUNTER-CLOCKWISE ROTATION	1	
2	13118	DECAL, POWDER COATED	1	
3	11111	DECAL, STOW	1	
4	2300	DECAL, AL PITCH RH	1	
5	2332	DECAL, AL PITCH LH	1	
6	2634	DECAL, SPRING SAFETY	2	
7	1499	DECAL, MQ-WHITEMAN RED/TOWER	2	
8	36099	DECAL, SAFETY CLOTHING ISO BLUE	1	REPLACES 11247
9	2814	DECAL, CONTROL PANEL	1	
10	TBD	DECAL, STR46 SERIES	1	
11		SERIAL PLATE	1	CONTACT PARTS DEPT.
12	35137	DECAL, READ OPERATOR'S MANUAL	1	
13	11092	DECAL, "CE"	1	
14	35168	DECAL, ROTATING BLADE HAZARD	2	
15	20525	DECAL, WARNING "PROP 65"	1	
16	21455	DECAL, LIFTING, CRUSH HAZARD STX-55J6	1	
17	36090	DECAL, VENTILATION 2XFWRSDPU	1	

STR46SP — PIVOT ASSY. (RIGHT/LEFT)

PIVOT ASSY. (RIGHT/LEFT)



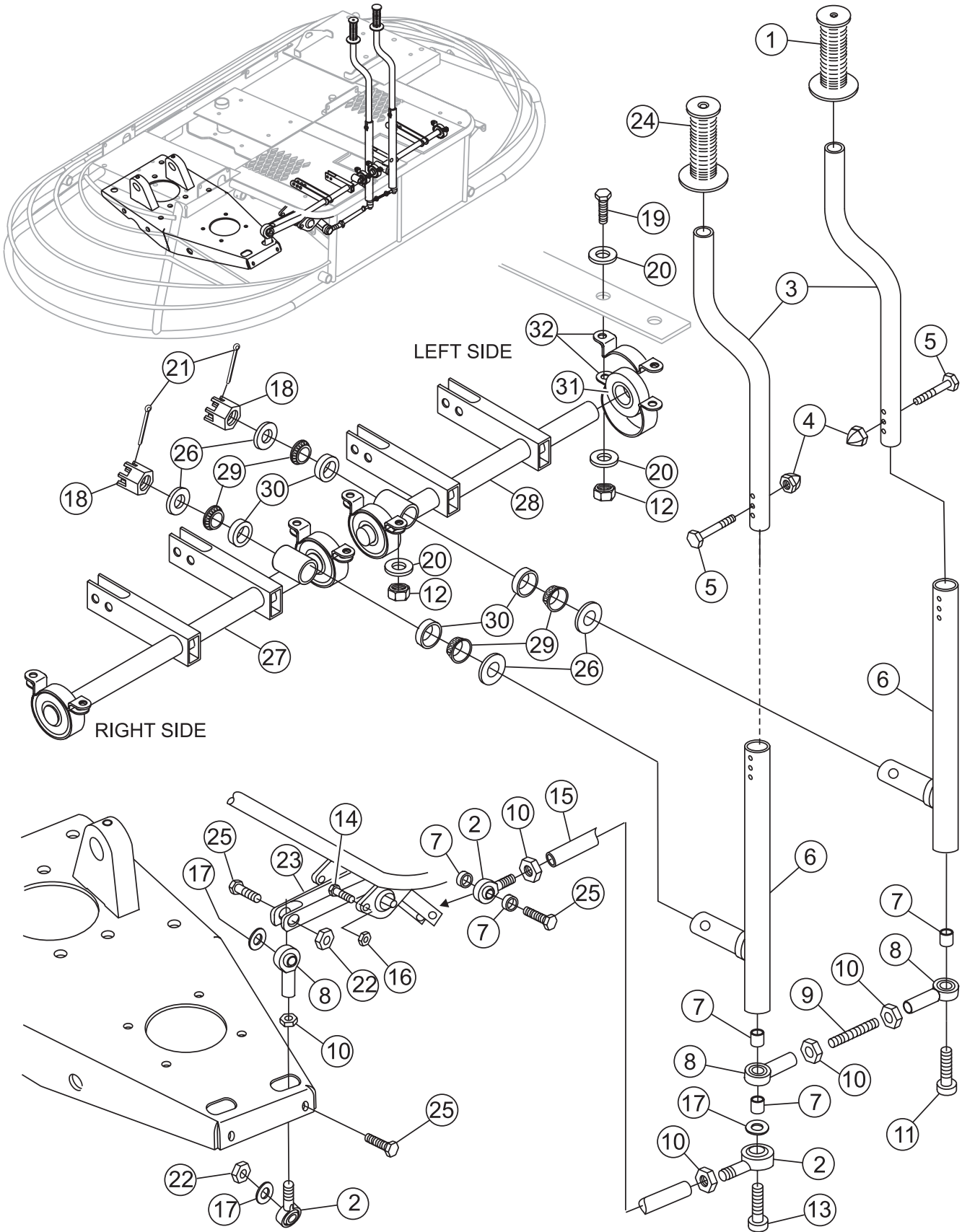
STR46SP — PIVOT ASSY. (RIGHT/LEFT)

PIVOT ASSY. (RIGHT/LEFT)

<u>NO.</u>	<u>PART NO.</u>	<u>PART NAME</u>	<u>QTY.</u>	<u>REMARKS</u>
1	1023	SCREW, HHC 3/8 - 16 X 1-1/4	16	
2	0166 A	WASHER, LOCK, 3/8 MED.	20	
3	2304	ROCKER BLOCK WITH BUSHING	4	
4	2146	PIVOT, DOUBLE ROCKER	1	
5	10138	SCREW, SHS 5/16 - 18 X 5/16	4	
6	12412	ARM, PIVOT RIGHT	1	
7	4196	SCREW, HHC 3/8 - 16 X 3/4	4	
8	5054 A	WASHER, LOCK 1/2 MED	2	
9	8136	SCREW, HHC 1/2 - 20 X 1-1/2	2	
10	12413	ARM, PIVOT LEFT	1	
11	2312	ROCKER BLOCK, WITH SET	2	
12	2145	PIVOT JOINT, SINGLE ROCKER	1	
13	1394	SCREW, FHSC 3/8 - 16 X 1	4	
14	11248	PLATE, GEARBOX ADAPTOR	2	

STR46SP — STEERING HANDLES ASSY. (RIGHT/LEFT)

STEERING HANDLES ASSY. (RIGHT/LEFT)



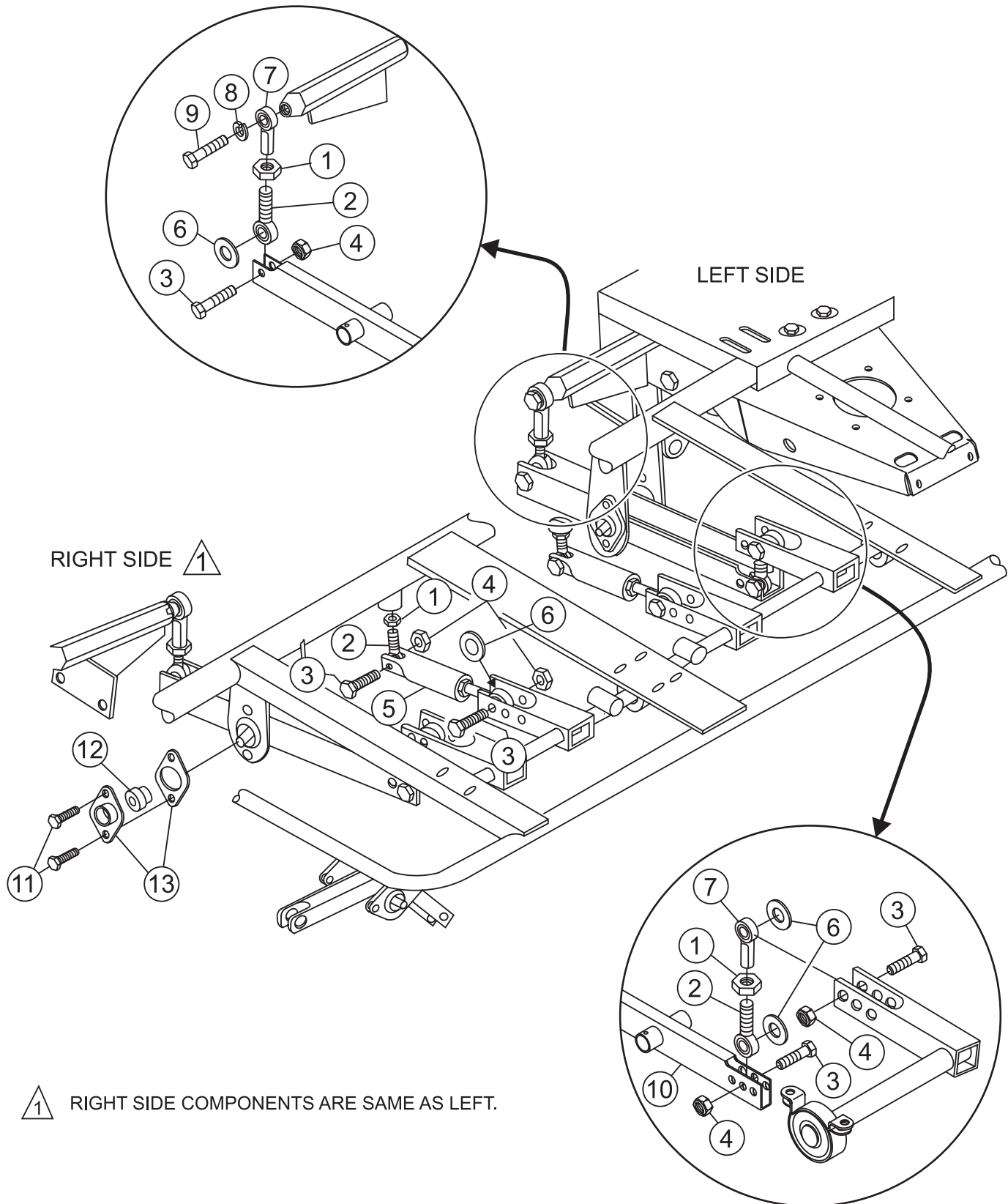
STR46SP — STEERING HANDLES ASSY. (RIGHT/LEFT)

STEERING HANDLES ASSY. (RIGHT/LEFT)

<u>NO.</u>	<u>PART NO.</u>	<u>PART NAME</u>	<u>QTY.</u>	<u>REMARKS</u>
1	0189	GRIP, HANDLE LT	1	
2	11142	ROD END, 1/2 - 20 MALE RH	3	
3	11177-1	HANDLE, TUBE	2	
4	2197	NUT, ACORN, 1/4 - 20	2	
5	5277	SCREW HHC 1/4 - 20 X 1-1/2	2	
6	12425-1	HANDLE, STEERING, LOWER	2	
7	11141	SPACER, ROD END	5	
8	11143	ROD END, 1/2 - 20 FEMALE RH	3	
9	11173	THREADPIECE, 1/2 - 20 X 2 PLTD	1	
10	11146	NUT, HEX JAM 1/2 - 20	5	
11	11144	SCREW, SHC 1/2 - 20 X 2 PLTD	1	
12	10133	NUT, NYLOC 3/8 -16	8	
13	11145	SCREW, SHC 1/2 -20 X 3 PLTD	1	
14	0131 A	SCREW HHC 1/4 - 20 X 3/4	1	
15	11205	ROD, L/R MOTION	1	
16	10024	NUT, NYLOC 1/4 - 20	1	
17	0447	WASHER, FLAT 1/2 SAE	3	
18	12426	NUT, SLOTTED 3/4 - 16 PLTD	2	
19	1023	SCREW, HHC 3/8 - 16 X 1-1/4 GR5	8	
20	10136	WASHER, FLAT SAE 3/8	16	
21	2219	PIN, COTTER 1/8 X 1-1/2	2	
22	10176	NUT, NYLOC 1/2 - 13	2	
23	12193	LEVER, L/R CONTROL	1	
24	2267	GRIP, HANDLE RT	1	
25	EM963105	SCREW, HHC 1/2 - 13 X 2	3	REPLACES 6159 A
26	8151	WASHER, FLAT SAE 3/4	4	
27	12374-1	STEERING CONTROL RS ASSIST	1	
28	12375-1	STEERING CONTROL LS ASSIST	1	
29	0735	BEARING CUP, TIMKEN #A6157	4	
30	0735 A	BEARING CONE TIMKEN #A6075	4	
31	11149	BEARING, SB-204-12	4	
32	11138	BEARING HSG, P-BLOCK 47MPB(2PC)	4	

STR46SP — STEERING ASSIST CONTROL ASSY. (RIGHT/LEFT)

STEERING ASSIST CONTROL ASSY. (RIGHT/LEFT)



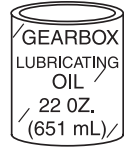
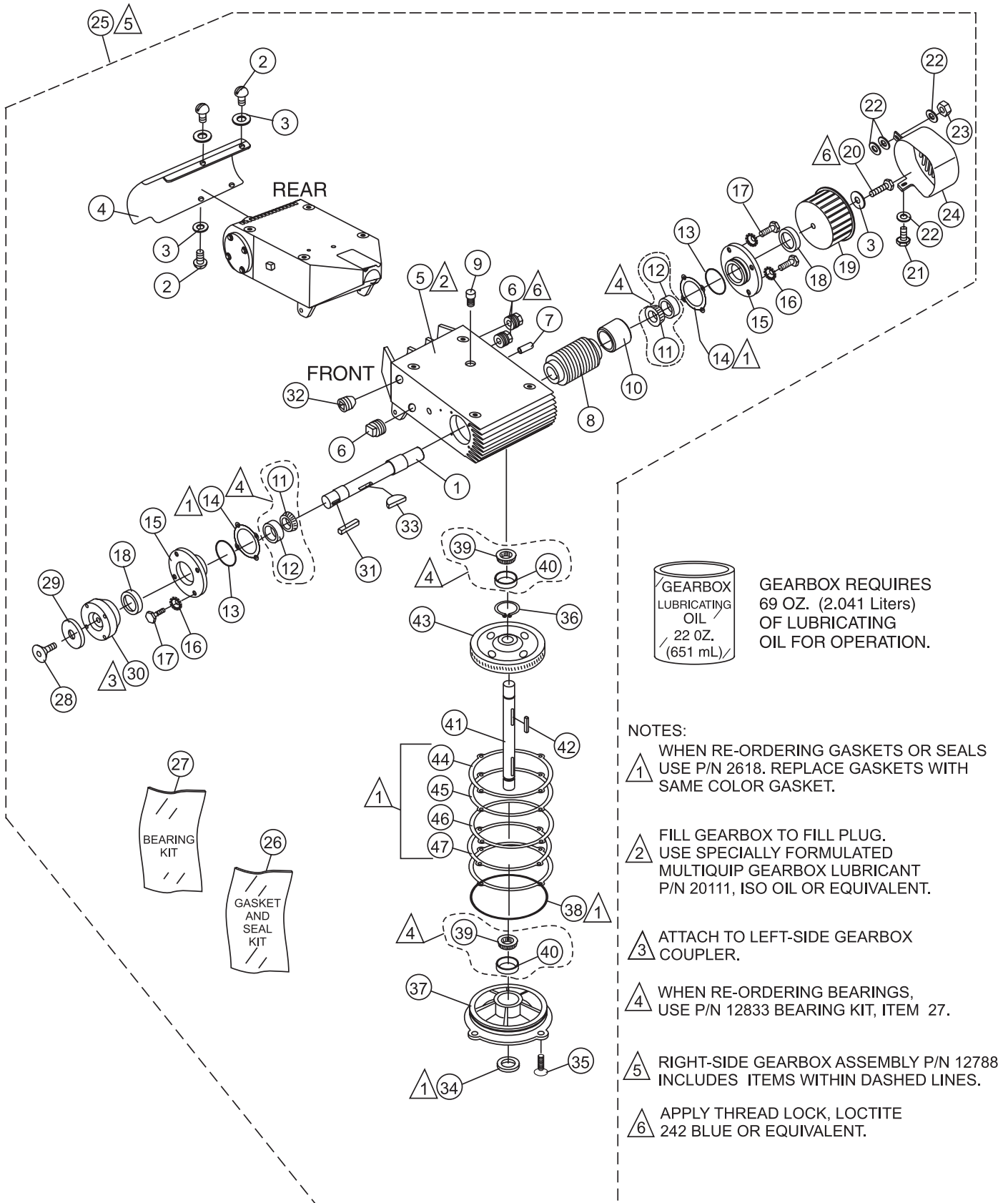
STR46SP — STEERING ASSIST CONTROL ASSY. (RIGHT/LEFT)

STEERING ASSIST CONTROL ASSY. (RIGHT/LEFT)

<u>NO.</u>	<u>PART NO.</u>	<u>PART NAME</u>	<u>QTY.</u>	<u>REMARKS</u>
1	11146	NUT, HEX JAM 1/2 -20 PLTD	6	
2	11142	ROD END, 1/2 - 20 MALE RH	6	
3	EM963105	SCREW, HHC 1/2 -13 X 2	10	REPLACES 6159 A
4	10176	NUT, NYLOC 1/2 -13	10	
5	12200	STEERING ASSIST ASSEMBLY	2	
6	0447	WASHER, FLAT 1/2 SAE	8	
7	11143	ROD END, 1/2 - 20 FEMALE RH	4	
8	5054 A	WASHER, LOCK 1/2 MED	2	
9	8136	SCREW, HHC 1/2 - 20 X 1-1/2	2	
10	11127-1	LEVER, STEERING CONTROL	2	
11	0131 A	SCREW/ HHC 1/4 - 20 X 3/4	12	
12	11150	BEARING, SB-201 - 8	6	
13	11139	HOUSING SET, BEARING FLANGE 40M-2	6	

STR46SP — GEARBOX ASSY. (RIGHT)

GEARBOX ASSY (RIGHT)



GEARBOX REQUIRES
69 OZ. (2.041 Liters)
OF LUBRICATING
OIL FOR OPERATION.

- NOTES:
- 1 WHEN RE-ORDERING GASKETS OR SEALS USE P/N 2618. REPLACE GASKETS WITH SAME COLOR GASKET.
 - 2 FILL GEARBOX TO FILL PLUG. USE SPECIALLY FORMULATED MULTIQUIP GEARBOX LUBRICANT P/N 20111, ISO OIL OR EQUIVALENT.
 - 3 ATTACH TO LEFT-SIDE GEARBOX COUPLER.
 - 4 WHEN RE-ORDERING BEARINGS, USE P/N 12833 BEARING KIT, ITEM 27.
 - 5 RIGHT-SIDE GEARBOX ASSEMBLY P/N 12788 INCLUDES ITEMS WITHIN DASHED LINES.
 - 6 APPLY THREAD LOCK, LOCTITE 242 BLUE OR EQUIVALENT.

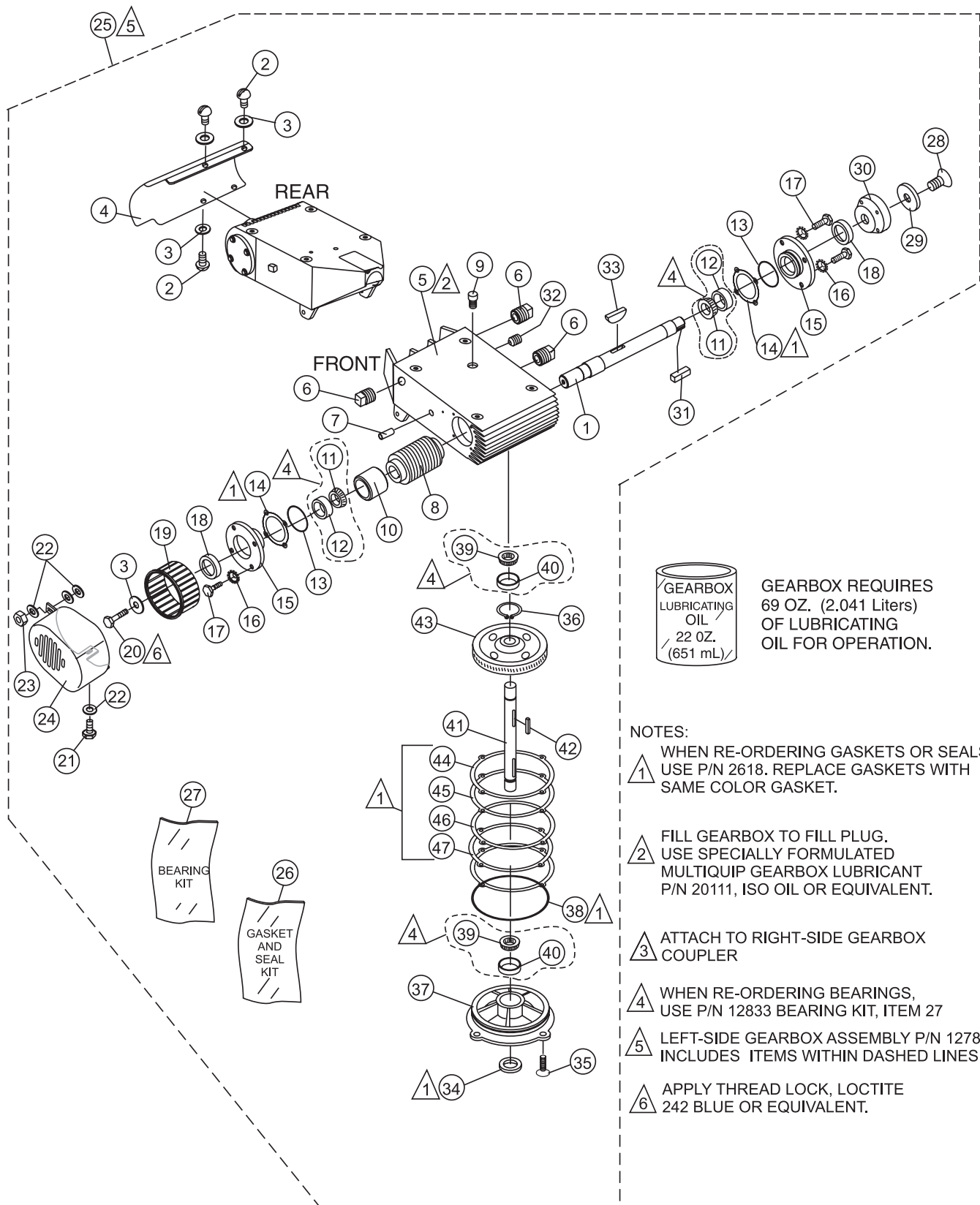
STR46SP — GEARBOX ASSY. (RIGHT)

GEARBOX ASSY (RIGHT)

<u>NO.</u>	<u>PART NO.</u>	<u>PART NAME</u>	<u>QTY.</u>	<u>REMARKS</u>
1%	12906	SHAFT, GEARBOX INPUT W/FAN	1	
2%	5031 A	SCREW, RHM 1/4-20 X1/2	4	
3%	0948	WASHER, FLAT, 1/4 SAE	5	
4%	12981	SHROUD, GB FIN COVER, RIGHT	1	
5%	12765	GEAR BOX HD RIDER 1-1/4 SHAFT	1	HOUSING ONLY
6%	0121 A	FITTING, PLUG 3/8MP SQUARE HEAD	3	
7%	10989	STUD, N10 - 32 X 3/4	1	
8%	12908	RIGHT HAND WORM	1	
9%	1132	VENT, AIR	1	
10%	12583	SPACER, X 11D X 1.168L	1	
11*%	9045	BEARING, CONE TIMKEN #1986	2	
12*%	0232 A	BEARING, CUP, TIMKEN #1932	2	
13+%	2309	O-RING, 2 -13/16" VINTON	2	
14+%		GASKET, RED	1	SOLD AS KIT ONLY
15%	2307	FLANGE, COUNTERSHAFT	2	
16%	TBD	WASHER, EXT SHKP 1/4	8	
17%	2295	SCREW, HHC 1/4-20 X 7/8	8	
18%	12909	SEAL, OIL, NATIONAL #471689V	2	
19%	10921	FAN, RIGHT (CW)	1	
20%	0730	SCREW, HHC 1/4-20 X 1	1	
21%	19477	SCREW, HHC, WASHER 10-32 X 1/2	1	
22%	2203	WASHER, FLAT #10 SAE	4	
23%	10019	NUT, NYLOC 10-32	1	
24%	10894	RIGHT-SIDE FAN COVER	1	
25	12788	GEAR BOX ASSY., COMPLETE RIGHT-SIDE	1	INCLUDES ITEMS W/%
26	2618	GASKET KIT	1	INCLUDES ITEMS W/+
27%	12833	BEARING KIT	1	INCLUDES ITEMS W/*
28%	1313	SCREW, FHSC 3/8 - 24 X 3/4 PLAIN	1	
29%	9120	RETAINER, DRIVEN PULLEY	1	
30%	2048	COUPLER - 7/8" ID	1	
31%	2323	KEY, 1/4 X1/4 X13/16	1	
32%	10450	SCREW, SHS 10-32 X1/4	1	
33%	1139	KEY, WOODRUFF #21 HARDENED	1	
34+%	12769	SEAL, 1-1/4 DIA NAT # 471766V	1	
35%	20875	SCREW, FHS 5/16 -18 X 1	4	
36%	12770	RING, SNAP TRUARC #5100 - 125	1	
37%	12766	COVER, HD GEARBOX 1-1/4 SHAFT	1	
38+%	9038	O-RING, A - 264 VITON	1	
39*%	12767	BEARING, CUP, TIMKEN #15245	2	
40*%	12768	BEARING, CONE TIMKEN #15126	2	
41%	12764	SHAFT, MAIN HD RIDER 1-1/4 SHAFT	1	
42%	9180	KEY, 5/16 X 2 -1/4 HRDND	1	
43%	12772	GEAR, WORM RH. HT 1-1/4	1	
44+%		GASKET, RED	1	SOLD AS KIT ONLY
45+%		GASKET, GREEN	1	SOLD AS KIT ONLY
46+%		GASKET, BLUE	1	SOLD AS KIT ONLY
47+%		GASKET, BROWN	1	SOLD AS KIT ONLY
48+%		GASKET, YELLOW	1	SOLD AS KIT ONLY

STR46SP — GEARBOX ASSY. (LEFT)

GEARBOX ASSY (LEFT)



NOTES:

- 1 WHEN RE-ORDERING GASKETS OR SEALS USE P/N 2618. REPLACE GASKETS WITH SAME COLOR GASKET.
- 2 FILL GEARBOX TO FILL PLUG. USE SPECIALLY FORMULATED MULTIQUIP GEARBOX LUBRICANT P/N 20111, ISO OIL OR EQUIVALENT.
- 3 ATTACH TO RIGHT-SIDE GEARBOX COUPLER
- 4 WHEN RE-ORDERING BEARINGS, USE P/N 12833 BEARING KIT, ITEM 27
- 5 LEFT-SIDE GEARBOX ASSEMBLY P/N 12789 INCLUDES ITEMS WITHIN DASHED LINES.
- 6 APPLY THREAD LOCK, LOCTITE 242 BLUE OR EQUIVALENT.

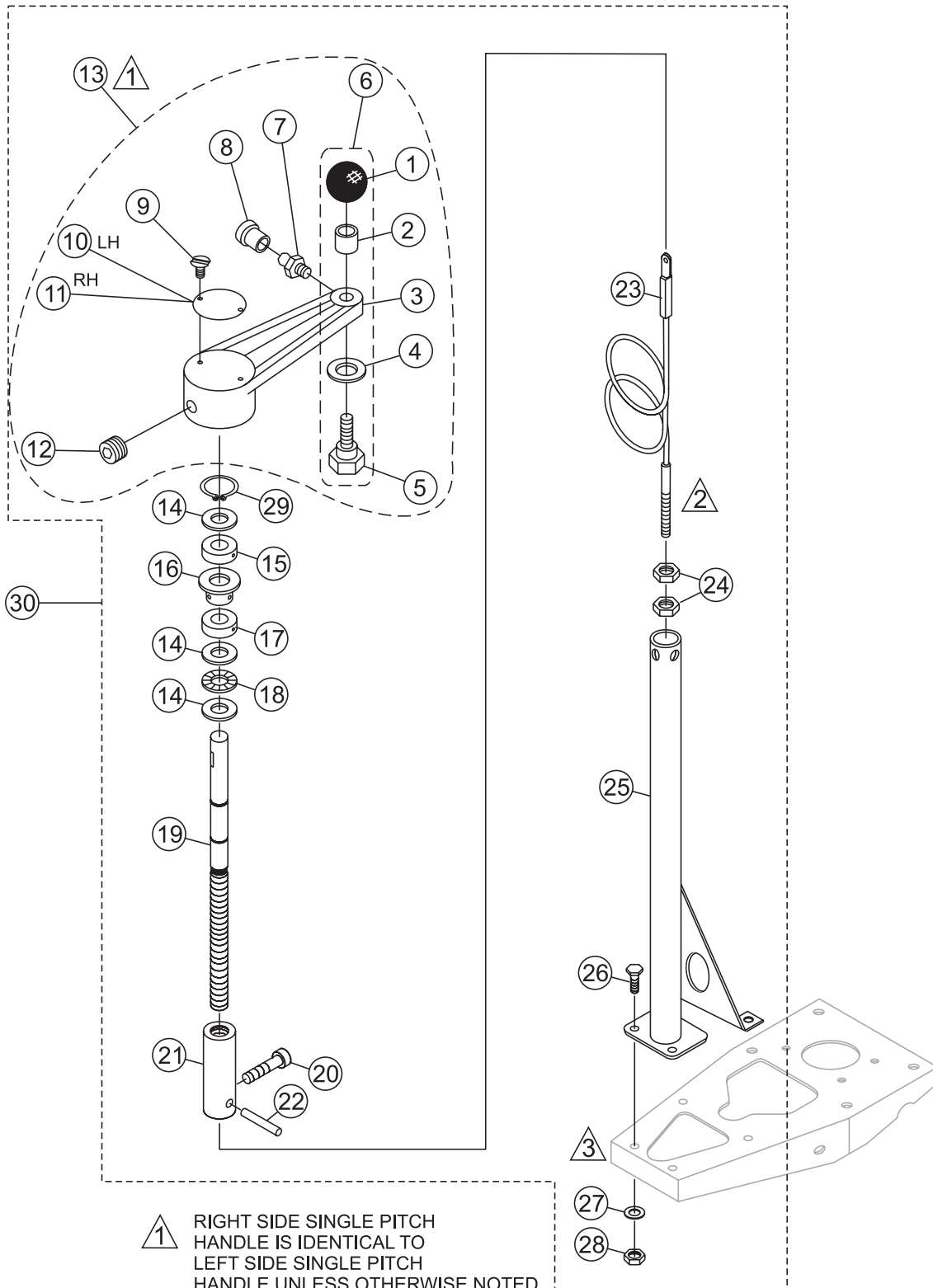
STR46SP — GEARBOX ASSY. (LEFT)

GEARBOX ASSY (LEFT)

<u>NO.</u>	<u>PART NO.</u>	<u>PART NAME</u>	<u>QTY.</u>	<u>REMARKS</u>
1%	12906	SHAFT, GEARBOX INPUT W/FAN	1	
2%	5031 A	SCREW, RHM 1/4-20 X1/2	4	
3%	0948	WASHER, FLAT, 1/4 SAE	5	
4%	12982	SHROUD, GB FIN COVER, LEFT	1	
5%	12765	GEAR BOX HD RIDER 1-1/4 SHAFT	1	HOUSING ONLY
6%	0121 A	FITTING, PLUG 3/8MP SQUARE HEAD	3	
7%	10989	STUD, N10 - 32 X 3/4	1	
8%	12907	LEFT HAND WORM	1	
9%	1132	VENT, AIR	1	
10%	12583	SPACER, X 11D X 1.168L	1	
11*%	9045	BEARING, CONE TIMKEN #1986	2	
12*%	0232 A	BEARING, CUP, TIMKEN #1932	2	
13+%	2309	O-RING, 2 -13/16" VINTON	2	
14+%		GASKET, RED	1	SOLD AS KIT ONLY
15%	2307	FLANGE, COUNTERSHAFT	2	
16%	TBD	WASHER, EXT SHKP 1/4	8	
17%	2295	SCREW, HHC 1/4-20 X 7/8	8	
18%	12909	SEAL, OIL, NATIONAL #471689V	2	
19%	10922	FAN, LEFT (CCW)	1	
20%	0730	SCREW, HHC 1/4-20 X 1	1	
21%	19477	SCREW, HHC, WASHER 10-32 X 1/2	1	
22%	2203	WASHER, FLAT #10 SAE	4	
23%	10019	NUT, NYLOC 10-32	1	
24%	10893	LEFT-SIDE FAN COVER	1	
25	12789	GEAR BOX ASSY., COMPLETE LEFT-SIDE	1	INCLUDES ITEMS W/%
26	2618	GASKET KIT	1	INCLUDES ITEMS W/+
27%	12833	BEARING KIT	1	INCLUDES ITEMS W/*
28%	1313	SCREW, FHSC 3/8 - 24 X 3/4 PLAIN	1	
29%	9120	RETAINER, DRIVEN PULLEY	1	
30%	2048	COUPLER - 7/8" ID	1	
31%	2323	KEY, 1/4 X1/4 X13/16	1	
32%	10450	SCREW, SHS 10-32 X1/4	1	
33%	1139	KEY, WOODRUFF #21 HARDENED	1	
34+%	12769	SEAL, 1-1/4 DIA NAT # 471766V	1	
35%	20875	SCREW, FHS 5/16 -18 X 3/4	4	
36%	12770	RING, SNAP TRUARC #5100 - 125	1	
37%	12766	COVER, HD GEARBOX 1-1/4 SHAFT	1	
38+%	9038	O-RING, A - 264 VITON	1	
39*%	12767	BEARING, CUP, TIMKEN #15245	2	
40*%	12768	BEARING, CONE TIMKEN #15126	2	
41%	12764	SHAFT, MAIN HD RIDER 1-1/4 SHAFT	1	
42%	9180	KEY, 5/16 X 2 -1/4 HRDND	1	
43%	12771	GEAR, WORM LH. HT 1-1/4	1	
44+%		GASKET, RED	1	SOLD AS KIT ONLY
45+%		GASKET, GREEN	1	SOLD AS KIT ONLY
46+%		GASKET, BLUE	1	SOLD AS KIT ONLY
47+%		GASKET, BROWN	1	SOLD AS KIT ONLY
48+%		GASKET, YELLOW	1	SOLD AS KIT ONLY

STR46SP — SINGLE PITCH HANDLE ASSY. (RIGHT/LEFT)

SINGLE PITCH HANDLE ASSY. (RIGHT/LEFT)



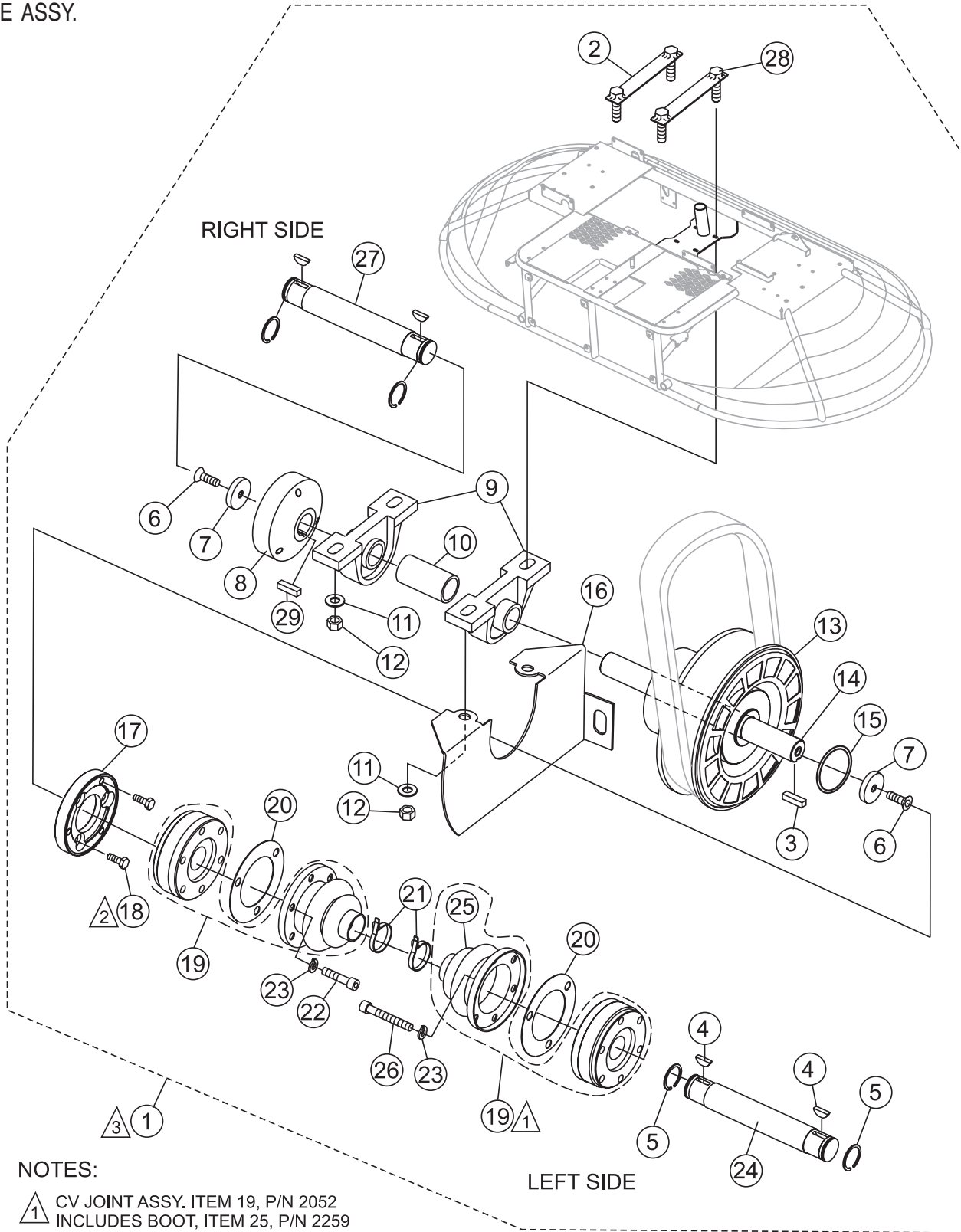
STR46SP — SINGLE PITCH HANDLE ASSY. (RIGHT/LEFT)

SINGLE PITCH HANDLE ASSY. (RIGHT/LEFT)

<u>NO</u>	<u>PART NO</u>	<u>PART NAME</u>	<u>QTY.</u>	<u>REMARKS</u>
1#%+	4403	CRANK KNOB	2	
2#%+	3231	SPACER	2	
3#%+	2575	CRANK LEVER	2	
4#%+	1733	HARDENED WASHER	2	
5#%+	1616	SHOULDER BOLT	2	
6#%	2737	KNOB KIT	2	INCLUDES ITEMS W/+
7#%	2621	FITTING GREASE	2	
8#%	1162A	CAP, GREASE ZERK #2	2	
9#%	4014	SCREW, 2-3/16 P-K TYPE U DRIVE	4	
10#%	2332	DECAL, AL PITCH, LH	1	
11#%	2300	DECAL, AL PITCH, RH	1	
12#%	0185	SCREW, SHSS 3/8-16 X 3/8"	2	
13#	1617	LEVER ASSY, TROWEL ADJUSTMENT	2	INCLUDES ITEMS W/%
14#	2170	BEARING, RACE, TORR. #TRA1220	6	
15#	1604	BEARING, BALL THRUST E5 AETNA	2	
16#	1111	BEARING, ALUM.	2	
17#	2367	COLLAR, SET .75 X 1.25 X .56, 2 SET SCRW	2	
18#	2169	BEARING, THRUST, TORR. #NTA1220	2	
19#	10646	SHAFT, SPC CONTROL	2	
20#	10382	BOLT, SHOULDER, 3/8 X 3/8 LONG	2	
21#	10721	SLIDE BLOCK	2	
22#	10723	ROLL PIN	2	
23#	12460	CABLE ASSEMBLY 26.38"	2	
24#	1116	BRASS JAM NUT	4	
25#	10548-1	PITCH CONTROL TUBE	2	
26#	0202	SCREW, HHC 5/16-18	8	
27#	0300B	FLAT WASHER 5/16"	8	
28#	5283	LOCK NUT 5/16-18	8	
29#	10512	SNAP RING	2	
30	11109-1	PITCH ASSY.	2	INCLUDES ITEMS W/#

STR46SP — DRIVE ASSY.

DRIVE ASSY.



NOTES:

1 CV JOINT ASSY. ITEM 19, P/N 2052
INCLUDES BOOT, ITEM 25, P/N 2259

2 TORQUE TO 12 FT-LBS.

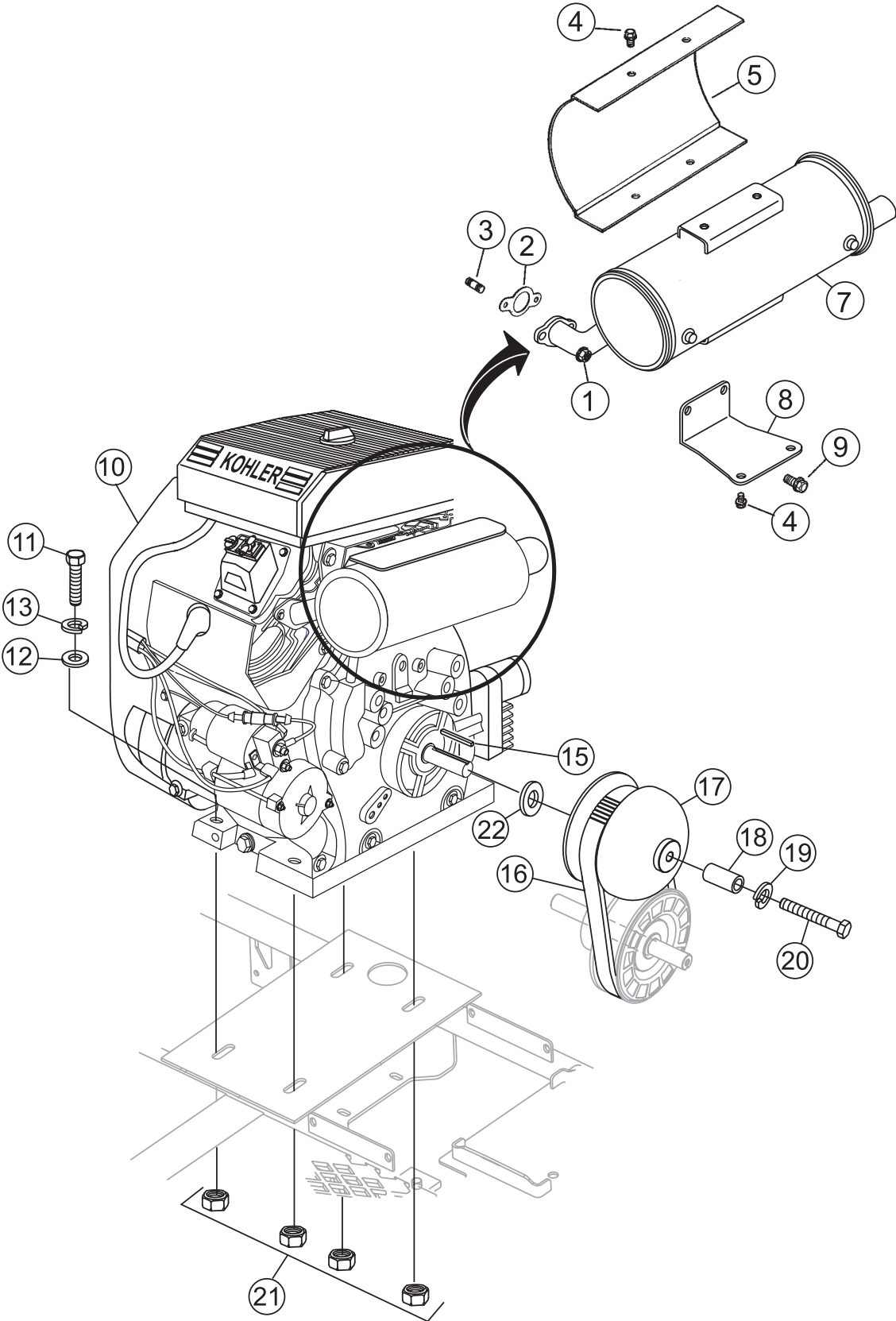
3 COMPLETE DRIVE ASSY., ITEM 1, P/N 21494
INCLUDES ITEMS WITHIN DASHED LINES.

DRIVE ASSY.

<u>NO.</u>	<u>PART NO.</u>	<u>PART NAME</u>	<u>QTY.</u>	<u>REMARKS</u>
1	21494	DRIVE ASSEMBLY, W/COMET	1	INCLUDES ITEMS W/*
2*	20186	PLATE, BEARING MOUNT	2	
3*	300518C	KEY, 1/4 X 3/16 X 3"	1	
4*	0126	KEY, WOODRUFF #9	4	
5*	2090	RING, SNAP TRUARC #5100 - 106	4	
6*	1146	SCREW, FHSC 5/16 - 18 X 1 NYLOC	2	
7*	2037	WASHER, RETAINING	2	
8*	2029	COUPLER, 1 ID. RIDER	1	
9*	10337	BEARING, PILLOW BLOCK FAF YAK- 1	2	
10*	20044	SPACER, BEARING SHAFT	1	
11*	10136	WASHER, FLAT 3/8 SAE	4	
12*	10133	NUT, NYLOC 3/8 - 16	4	
13*	21475	PULLEY, CVT LOWER COMET 302538C	1	
14*	20043	SHAFT, DRIVE BEARING	1	
15*	20116	O-RING, SIZE- 031 BUNA	1	
16*	21491	PANEL, SPLASH RIGHT	1	
17*	12590	COUPLER, CV JOINT COMET CLUTCH	1	
18*	20056	SCREW, HHC 1/4 - 28 X 3/4 GRD. 8	3	
19*	2052	JOINT, CV W/BOOT	4	INCLUDES ITEM W/%
20*	11108	GASKET, CV JOINT BOOT	4	
21*	1662	TIE WRAP, BLACK	4	
22,*	0243	SCREW, SHC 5/16 - 18 X 1-3/4	3	
23,*	0161 C	WASHER, LOCK, 5/16 MEDIUM	12	
24,*	2074	SHAFT, CV JOINT, 9.13 LG	1	
25,*%	2259	BOOT, CV JOINT	4	
26,*	2186	SCREW, SHC 5/16 -18 X 2 -1/4 PLTD	9	
27,*	10748	SHAFT, CV JOINT 10.81 LG	1	
28,*	20187	SCREW, HHC 3/8-16 X 1-1/2 SS	4	
29,*	10909	KEY, 3/16 X 11/16	1	

STR46SP — ENGINE/MUFFLER/BELT ASSY.

ENGINE/MUFFLER/BELT ASSY.



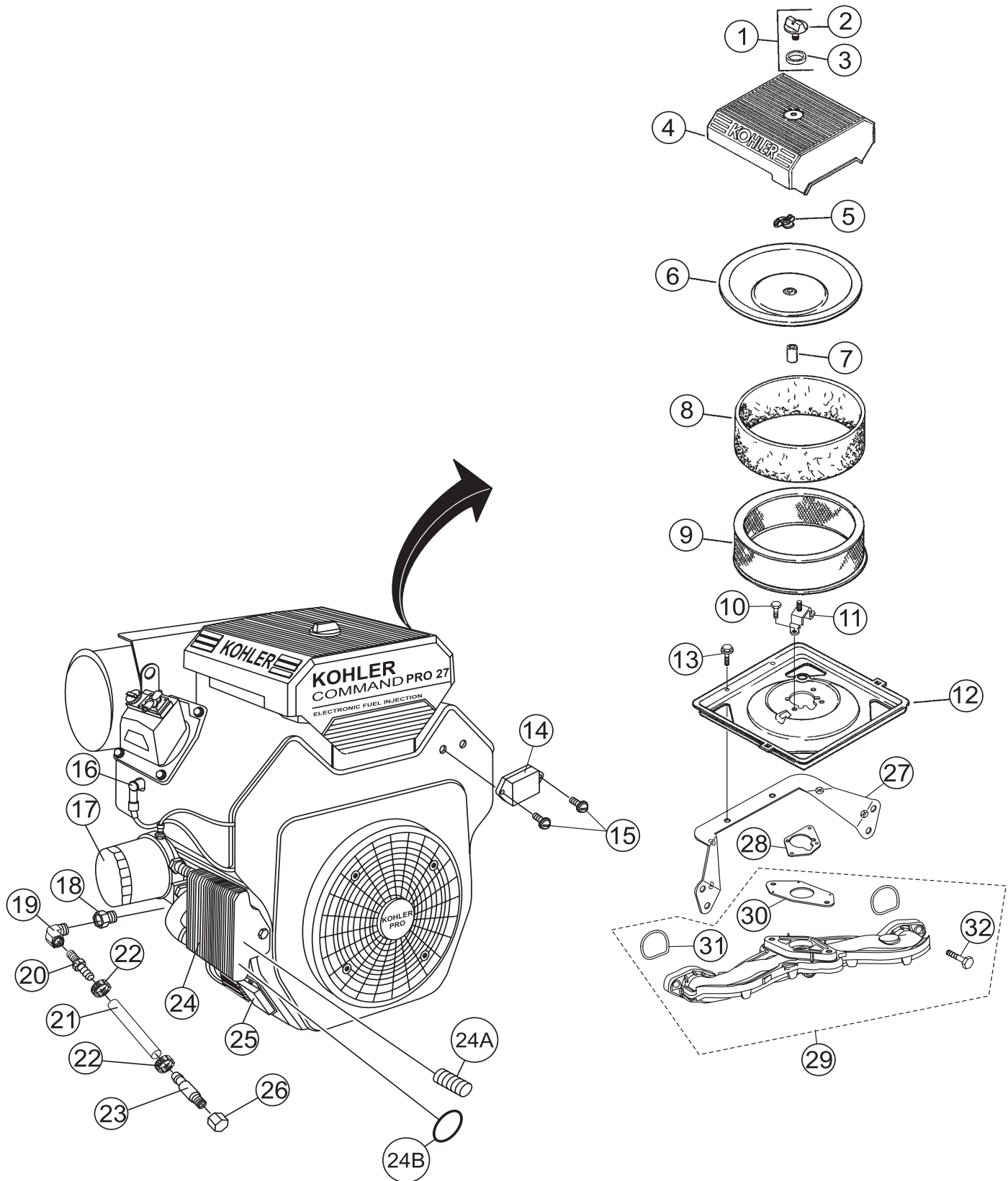
STR46SP — ENGINE/MUFFLER/BELT ASSY.

ENGINE/MUFFLER/BELT ASSY.

<u>NO.</u>	<u>PART NO.</u>	<u>PART NAME</u>	<u>QTY.</u>	<u>REMARKS</u>
1	M841080S	NUT, FLANGE MUFFLER	4	
2	2404149S	GASKET, EXHAUST MANIFOLD	2	
3	2507204S	STUD, EXHAUST	4	
4	M650012S	SCREW, HEX FLANGE	4	
5	2431404S	INNER HEAT SHIED, MUFFLER	1	
7	2406836S	MUFFLER, O.F. SIDE OUTLET	1	
8	2412690S	BRACKET, MUFFLER	1	
9	M839020S	SCREW, HEX FLANGE	2	
10	21421	ENGINE, KOHLER 27HP	1	
11	1207	SCREW, HHC 5/16 -18 X 1-3/4	4	
12	0300 B	WASHER, FLAT 5/16 SAE	4	
13	0161 C	WASHER, LOCK 5/16 MED	8	
15	20444	KEY, 0.25 SQ X 2.75	1	
16	20138	BELT, CVT - COMET	1	
17	20846	CLUTCH, 1 - 7/16 CVT COMET	1	
18	21528	SPACER, 1.415 O.D. X .66 I.D. X 1.5 L	1	
29	4703	WASHER, LOCK, 5/8 MED	1	
20	21316	SCREW, HHC 5/8 - 18 X 3	1	
21	5283	NUT, NYLOC 5/16 - 18	4	
22	21489	WASHER, FLAT 1.437 X .032 THK	1	

STR46SP — AIR CLEANER/OIL FILTER/OILCOOLER ASSY.

AIR CLEANER/OIL FILTER/COOLER ASSY.



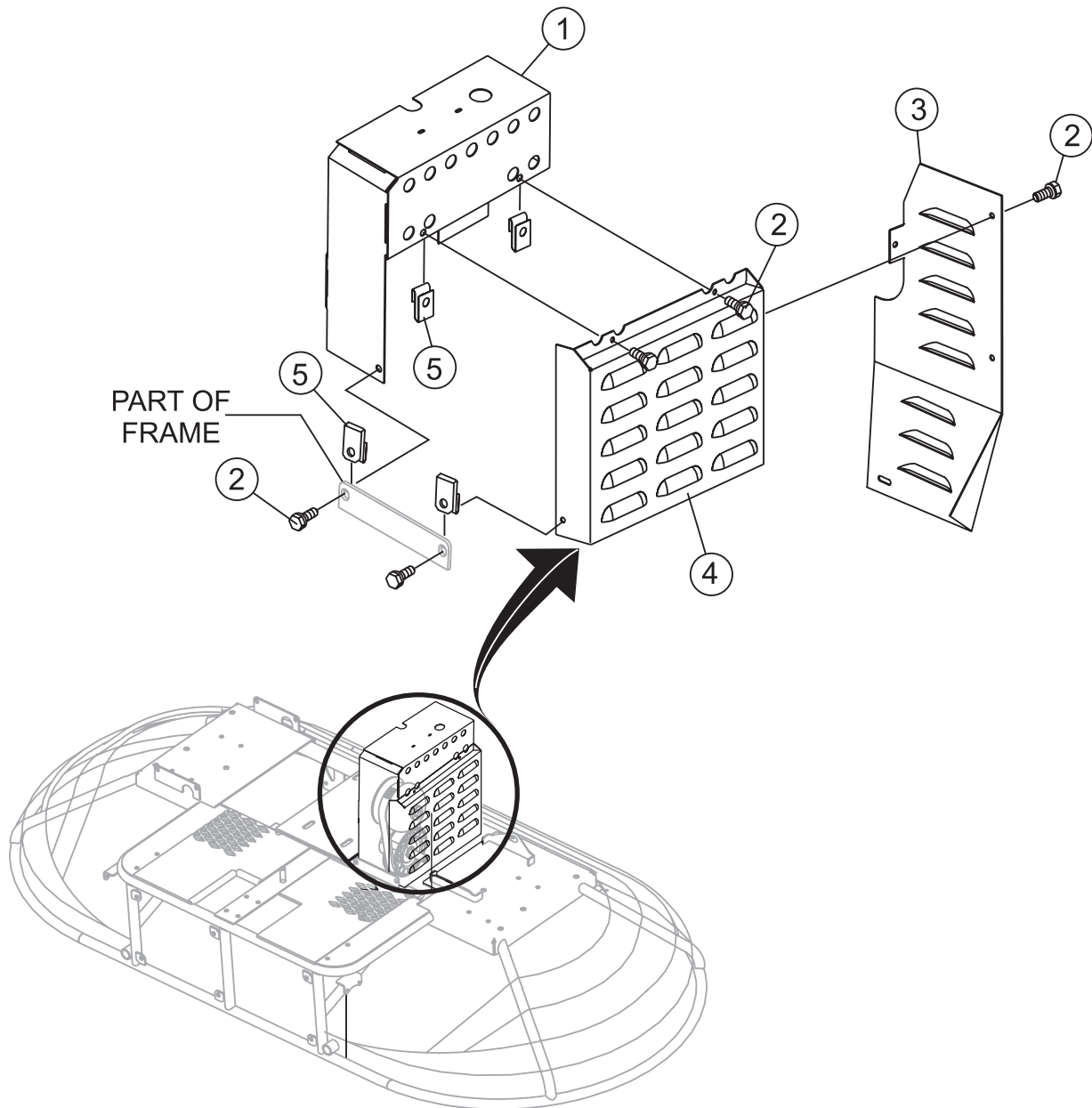
STR46SP — AIR CLEANER/OIL FILTER/OILCOOLER ASSY.

AIR CLEANER/OIL FILTER/COOLER ASSY.

<u>NO.</u>	<u>PART NO.</u>	<u>PART NAME</u>	<u>QTY.</u>	<u>REMARKS</u>
1	5475501S	KIT, KNOB W/SEAL	1	INCLUDES ITEMS W/*
2*	2534104S	KNOB, AIR CLEANER COVER	1	
3*	2415320S	O-RING	1	
4	2409667S	COVER, AIR CLEANER	1	
5	1210001S	WINGNUT	1	
6	2409601S	COVER, INNER AIR CLEANER	1	
7	230046S	SEAL BREATHER	1	
8	2408305S	ELEMENT, PRE-CLEANER	1	
9	2408303S	ELEMENT, AIR FILTER	1	
10	2408653S	SCREW, HEX. FLANGE M6X1.0X16	2	
11	2412688S	BRACKET, AIR CLEANER BASE	1	
12	2409437S	BASE, A/C W/STRTR SIDE DIMPLE	1	
13	2404106S	GASKET, AIR CLEANER BASE	1	
14	2655	HOUR METER	1	
15	8239	RIVET, POP 1/8 DIA X .400 ALUMINUM	2	
16	2513212	SPARK PLUG	2	
17	5205002S	FILTER, OIL	1	
18	19317	PLUG, OIL DRAIN	1	
19	TBD	FITTING, 90 DEGREE	1	
20	370628	FITTING, BRASS 45 6 BARB 1/4MP	1	
21	60045	HOSE, 3/8 ID PUSHLOCK	1	
22	1947	CLAMP, HOSE WORM 1/4 - 5/8	2	
23	12237	FITTING, PUSH-ON 6 HOSE 6MJ	1	
24	5475521S	ALUMINUM BASE OIL COOLER	1	INCLUDES ITEMS W/#
24A#	2813601S	NIPPLE, OIL FILTER	1	
24B#	2415321S	O-RING, OIL COOLER	1	
25	2540305S	REGULATOR, RECTIFIER	1	
26	12236	FITTING, CAP 6F JHEX	1	
27	24126130S	BRACKET, AIR CLEANER	1	
28	2404106S	GASKET, AIR CLEANER BASE	1	
29	2416454S	MANIFOLD, INTAKE	1	INCLUDES ITEMS W/%
30%	2404153S	GASKET, CARBURETOR	1	
31%	2415327S	O-RING, INTAKE PORT	2	
32%	M651040S	SCREW, HEX. FLANGE M6X1.0X40	4	

STR46SP — V-BELT COVER/OUTER MUFFLER SHIELD ASSY.

V-BELT COVER/OUTER MUFFLER SHIELD ASSY.



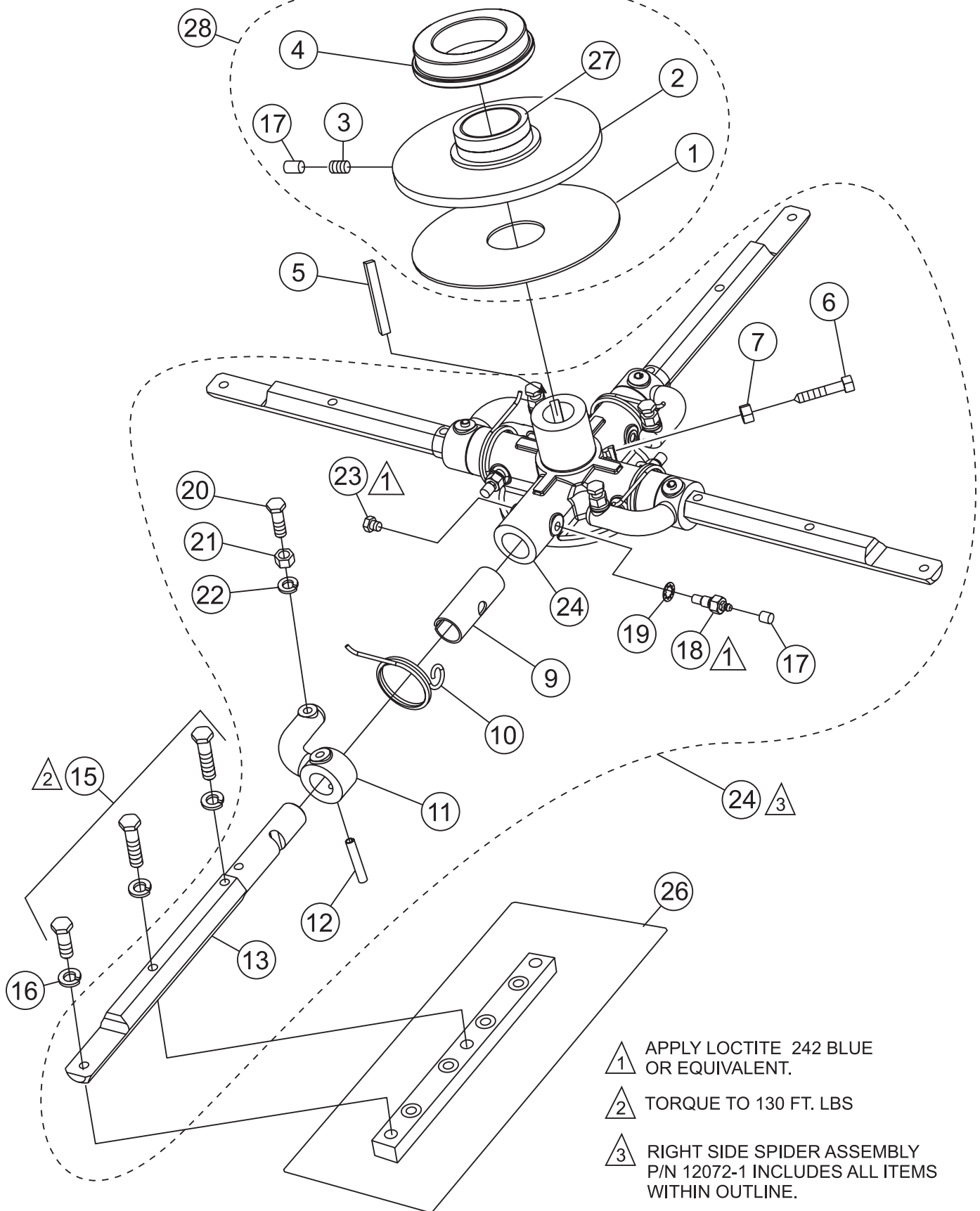
STR46SP — V-BELT COVER/OUTER MUFFLER SHIELD ASSY.

V-BELT COVER/OUTER MUFFLER SHIELD ASSY.

<u>NO.</u>	<u>PART NO.</u>	<u>PART NAME</u>	<u>QTY.</u>	<u>REMARKS</u>
1	21462	SHIELD, MUFFLER OUTER	1	
2	11819	SCREW, HHC FLANGED 1/4-20X3/4"	7	
3	21312	GUARD, BELT REAR	1	
4	21309	GUARD, BELT	1	
5	11534	NUT, U-TYPE 1/4-20	7	

STR46SP — SPIDER ASSY. (RIGHT)

SPIDER ASSY. (RIGHT)



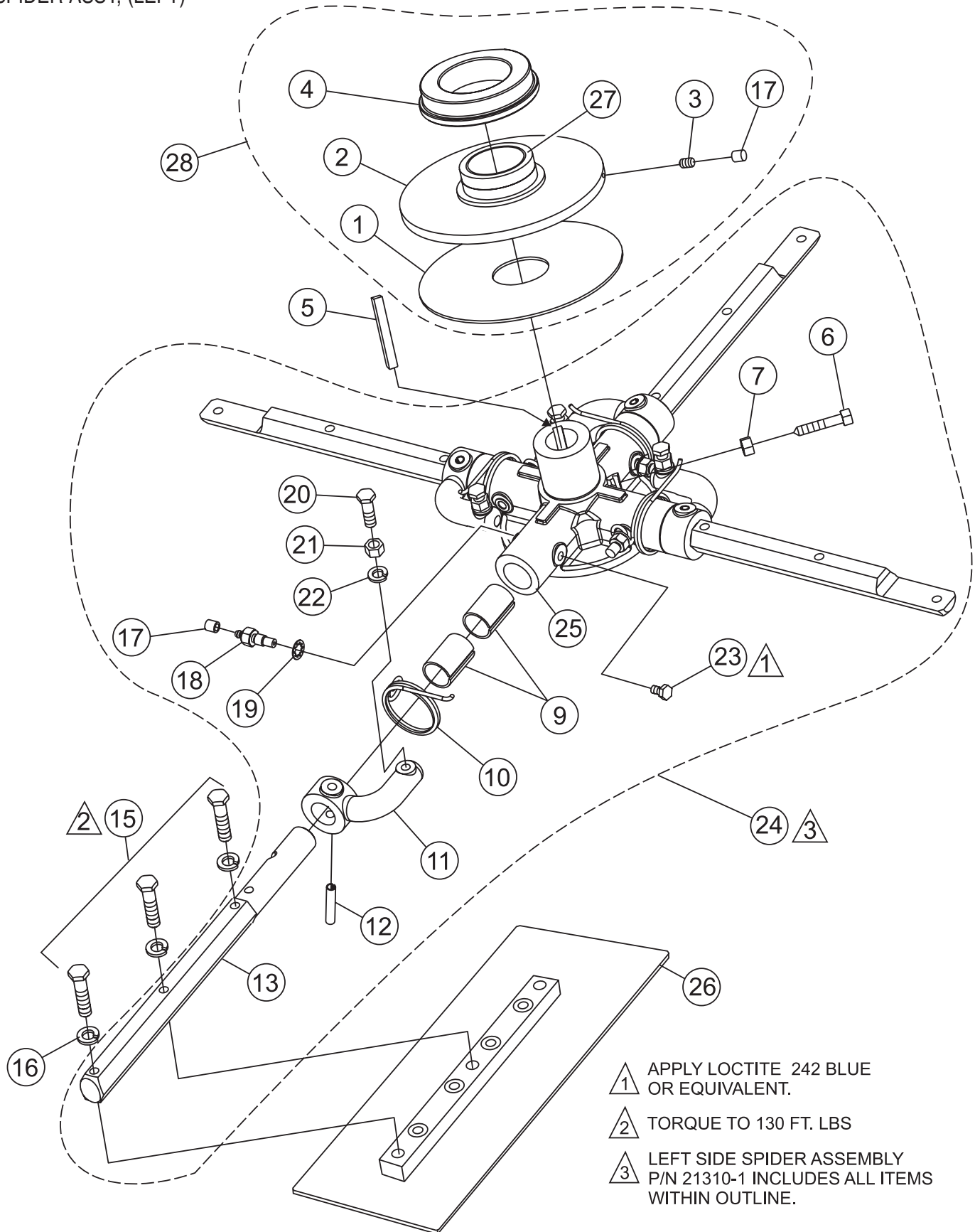
STR46SP — SPIDER ASSY. (RIGHT)

SPIDER ASSY. (RIGHT)

<u>NO.</u>	<u>PART NO.</u>	<u>PART NAME</u>	<u>QTY.</u>	<u>REMARKS</u>
1%	11419	PLATE, WEAR THRUST COLLAR	1	
2%	11431-1	THRUST COLLAR W/ BUSHING	1	INCLUDES ITEMS W/+
3%	2621	ZERK, GREASE STR 1/4 - 24	1	
4%	12779	BEARING, THRUST 6017 2RS W/ FLANGE	1	
5	12101	KEY, 5/16 SQ. X 2-5/8 HRDND	1	
6*	12097	SCREW, SQHS 3/8 - 16 X 1-3/4 CONE 8	2	
7*	1456	NUT, HEX FINISH 3/8 - 16	2	
9*	11039	BUSHING, TROWEL ARM 2-PIECE	8	
10*	11594	SPRING, TROWEL ARM LEVER RIGHT	4	
11*	11904	LEVER, TROWEL ARM HAND RIDE SIDE	4	
12*	9006	PIN, ROLL 5/16 X 2 NO PLATE	4	
13*	2829	ARM, TROWEL HD EXT.	4	
15*	1207	SCREW, HHC 5/16 -18 X 1-3/4	12	
16*	0161 C	WASHER, LOCK, 5/16 MED	12	
17*	1162 A	CAP, GREASE ZERK #2	5	
18*	1322	SCREW ASSEMBLY, ARM RETAINING	4	
19*	1875	WASHER, INT. SHKP. 3/8	4	
20*	0164 B	SCREW, TROWEL ADJUSTMENT	4	
21*	1876	NUT, HEX JAM 3/8 - 16 CLASS 2B	4	
22*	0166 A	WASHER, LOCK, 3/8 MEDIUM	4	
23*#	11602	SCREW, HHC 3/8 -16 X 1/4	4	
24	12072-1	SPIDER/ARM ASSY. R.S. 4BLD 1-1/4 MAIN SHAFT ...	1	INCLUDES ITEMS W/*
25*	12785	SPIDER, SERVICE 4BLD 1-1/4 SHAFT	1	INCLUDES ITEMS W/#
26		BLADE ASSEMBLY	4	CONTACT UNIT SALES DEPT./ ACCESSORY ITEM
27+%	12316	THRUST COLLAR BUSHING	1	
28%	20938	THRUST COLLAR KIT	1	INCLUDES ITEMS W/%

STR46SP — SPIDER ASSY. (LEFT)

SPIDER ASSY, (LEFT)

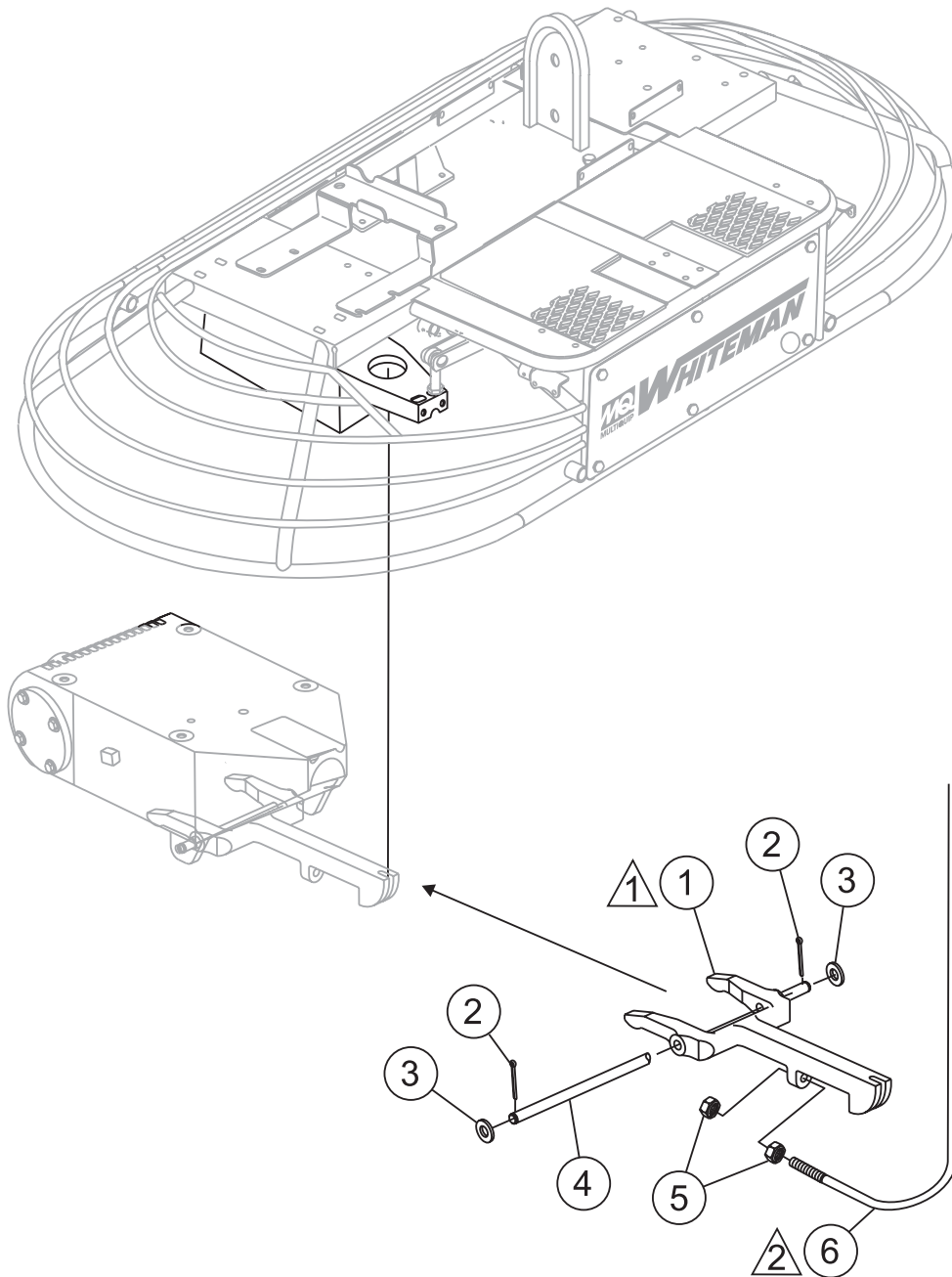


STR46SP — SPIDER ASSY. (LEFT)

SPIDER ASSY. (LEFT)

<u>NO.</u>	<u>PART NO.</u>	<u>PART NAME</u>	<u>QTY.</u>	<u>REMARKS</u>
1%	11419	PLATE, WEAR THRUST COLLAR	1	
2%	11431-1	THRUST COLLAR W/ BUSHING.....	1.....	INCLUDES ITEMS W/+
3%	2621	ZERK, GREASE 1/4 - 28	1	
4%	12779	BEARING, THRUST 6017 2RS W/ FLANGE	1	
5	12101	KEY, 5/16 SQ. X 2 - 5/8 HRDND	1	
6*	12097	SCREW, SQHS 3/8 - 16 X 1-3/4 CONE 8	2	
7*	1456	NUT, HEX FINISH 3/8 - 16	2	
9*	11039	BUSHING, TROWEL ARM 2-PIECE	8	
10*	11595	SPRING, LEFT TROWEL ARM LEVER	4	
11*	11903	LEVER, TROWEL ARM LEFT SIDE	4	
12*	9006	PIN, ROLL 5/16 X 2 NO PLATE	4	
13*	21495	ARM, TROWEL L.S.	4	
15*	1207	SCREW, HHC 5/16 - 18 X 1-3/4	12	
16*	0161 C	WASHER, LOCK, 5/16 MED	12	
17*	1162 A	CAP, GREASE ZERK #2	5	
18*	1322	SCREW ASSY, ARM RETAINING	4	
19*	1875	WASHER, INT. SHKP. 3/8	4	
20*	0164 B	SCREW, TROWEL ADJUSTMENT	4	
21*	1876	NUT, HEX JAM 3/8 - 16 CLASS 2B	4	
22*	0166 A	WASHER, LOCK, 3/8 MEDIUM	4	
23*#	11602	SCREW, HHC 3/8 - 16 X 1/4	4	
24	21310-1	SPIDER ASSY., L.S. 4BLD 1-1/4 MAIN SHAFT	1.....	INCLUDES ITEMS W/*
25*	12785	SPIDER, SERVICE 4BLD 1-1/4 SHAFT	1.....	INCLUDES ITEMS W/#
26		BLADE ASSEMBLY	4.....	CONTACT UNIT SALES DEPT./ ACCESSORY ITEM
27+%	12316	THRUST COLLAR BUSHING	1	
28%	20938	THRUST COLLAR KIT	1.....	INCLUDES ITEMS W/%

YOKE ASSY.



NOTES:

△ 1 LEFT AND RIGHT YOKE ASSEMBLIES IDENTICAL.

△ 2 SEE SINGLE PITCH ASSEMBLY.

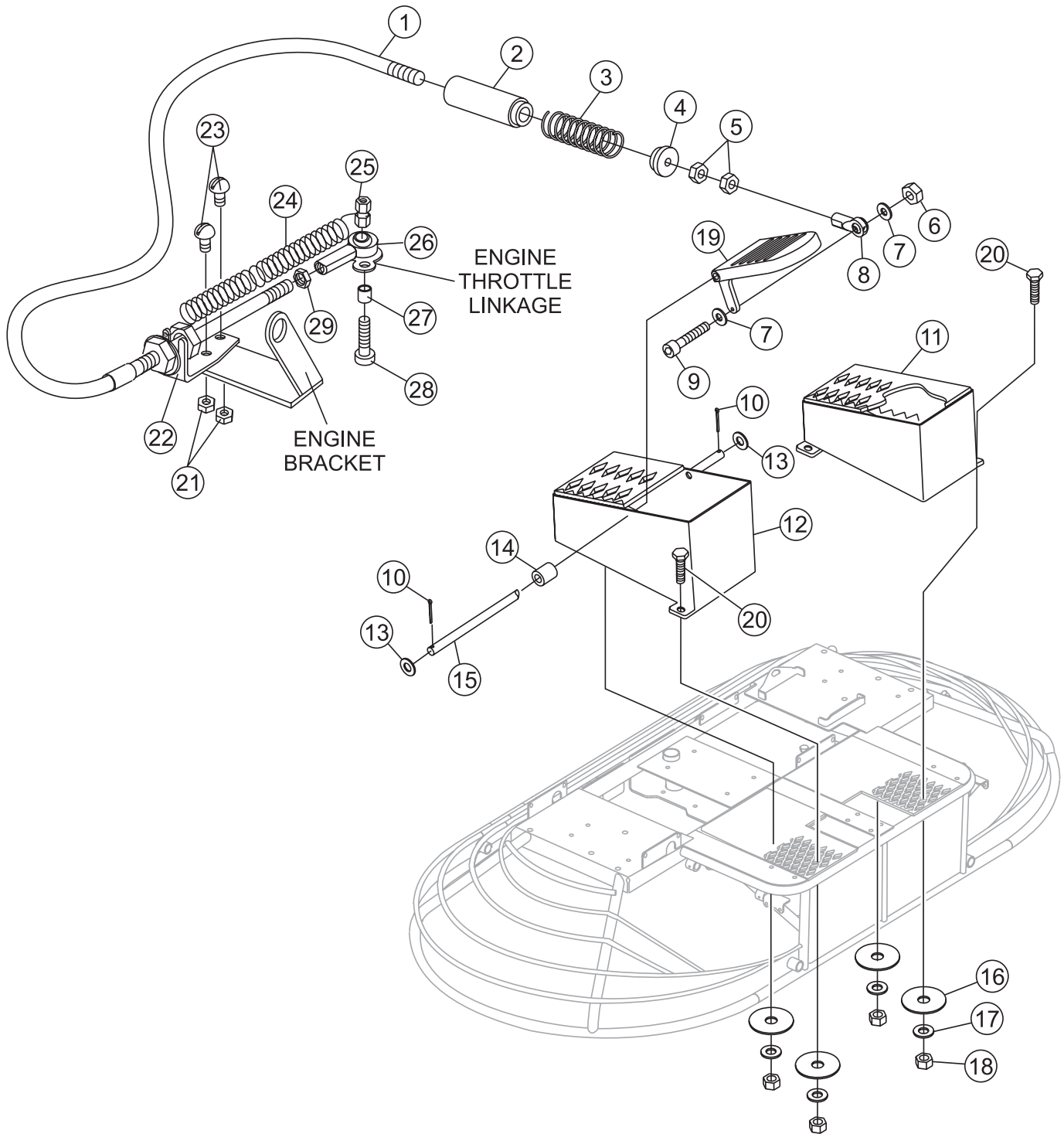
STR46SP — YOKE ASSY.

YOKE ASSY.

<u>NO.</u>	<u>PART NO.</u>	<u>PART NAME</u>	<u>QTY.</u>	<u>REMARKS</u>
1	12100-1	YOKE	2	
2	0683	PIN, COTTER 3/32 X 3/4	4	
3	10136	WASHER, FLAT 3/8 SAE	6	
4	9028	PIN, YOKE	2	
5	1116	NUT, BRASS JAM 5/16 -18	4	
6	12460	CABLE ASSEMBLY 26.38 HT-V PITCH	2	

STR46SP — THROTTLE CABLE/FOOT PEDALS ASSY.

THROTTLE CABLE/FOOT PEDALS ASSY.



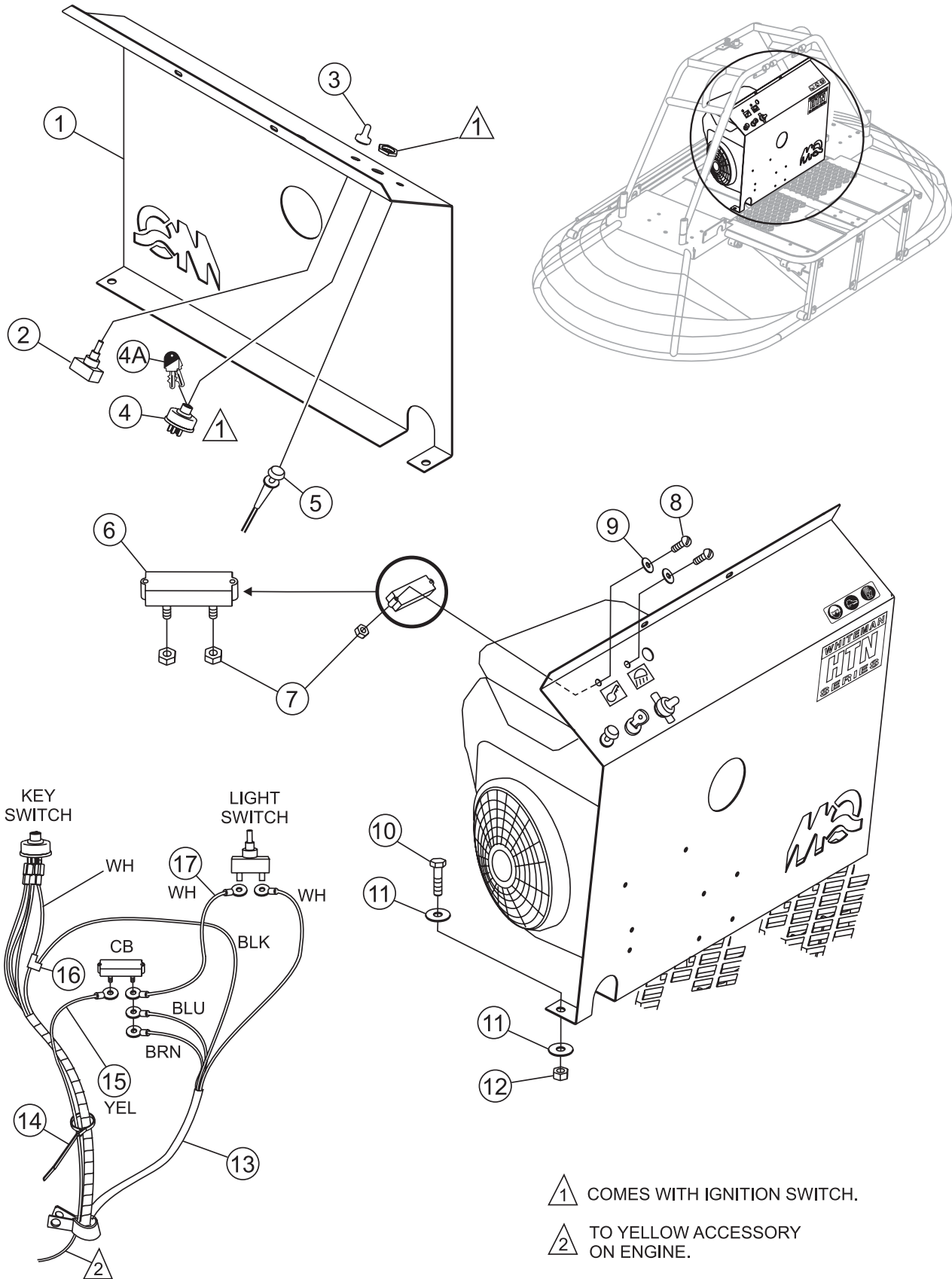
STR46SP — THROTTLE CABLE/FOOT PEDALS ASSY.

THROTTLE CABLE/FOOT PEDALS ASSY.

<u>NO.</u>	<u>PART NO.</u>	<u>PART NAME</u>	<u>QTY.</u>	<u>REMARKS</u>
1	2124	CABLE, CONTROL (RT)	1	
2	2754	ADAPTER, THROTTLE SPRING, LONG	1	
3	2753	SPRING, THROTTLE RETURN	1	
4	2755	ADAPTER, THROTTLE SPRING, SHORT	1	
5	0937	NUT, HEX 10 - 32 ZINC PLTD	2	
6	10019	NUT, NYLOC 10 - 32	1	
7	2203	WASHER, FLAT #10 SAE	2	
8	2153	ROD END, 10 - 32 FEMALE RH	1	
9	10018	SCREW, SHC 10 - 32 X 1	1	
10	6014 B	PIN, COTTER 3/32 X 1	2	
11	12635	RISER, LEFT FOOT	1	
12	12637	RISER, RIGHT FOOT	1	
13	10136	WASHER, FLAT 3/8 SAE	2	
14	3083	SPACER, 3/4 X 3/8 X 7/8 LONG	1	
15	2772	PIN, ACCELERATOR PEDAL	1	
16	3233	WASHER, FENDER 1.50D X 3/8 ID	4	
17	0300 B	WASHER, FLAT 5/16 SAE	4	
18	5283	NUT, NYLOC 5/16 -18	4	
19	2086	PEDAL ACCELERATOR	1	
20	0202	SCREW, HHC 5/16 - 18 X 1 ZINC	4	
21	10019	NUT, NYLOC 10-32	2	
22	2884	BRACKET, THROTTLE CABLE	1	
23	5065 B	SCREW, RHM 10-32 X 1/2	2	
24	2192	SPRING, EXTENSION RT	2	
25	2194	NUT, THROTTLE	1	
26	2153	ROD END, 10 - 32 FEMALE RH	1	
27	2190	SPACER, THROTTLE	1	
28	10018	SCREW, SHC 10-32 1 NP (1)	1	
29	0937	NUT, FULL HEX 10 - 32 ZINC PLTD	1	

STR46SP — CONTROL PANEL ASSY.

CONTROL PANEL ASSY.



STR46SP — CONTROL PANEL ASSY.

CONTROL PANEL ASSY.

<u>NO.</u>	<u>PART NO.</u>	<u>PART NAME</u>	<u>QTY.</u>	<u>REMARKS</u>
1	21458-1	CONTROL PANEL	1	
2	4682	SWITCH, LIGHT TOGGLE	1	
3	8381	BOOT, TOGGLE SWITCH	1	
4	2509904S	IGNITION SWITCH, W/KEY	1	
4A	4834001S1	KEY, IGNITION (SET)	1	
5	11029	CABLE, CHOKE	1	
6	2673	CIRCUIT BREAKER, 30A, 12V	1	
7	10019	NUT, NYLOC 10 - 32	4	
8	5065 B	SCREW, RHM 10 - 32 X 1/2	4	
9	2203	WASHER, FLAT #10 SAE	4	
10	0205	SCREW, HHC 3/8 - 16 X 1	2	
11	4001	WASHER, FLAT USS 3/8 PLD	4	
12	10133	NUT, NYLOC 3/8 - 16	2	
13	2945	HARNESS, WIRE ENGINE	1	
14	60101	TIE WRAP	3	
15	21523	WIRE, YELLOW 10 AWG	1	
16	1475	CONNECTOR, SPLICE TAP	1	
17	2769	WIRE, LITE SWITCH	1	
18	8133	SCREW, PHP 10-32 X 3/4	2	

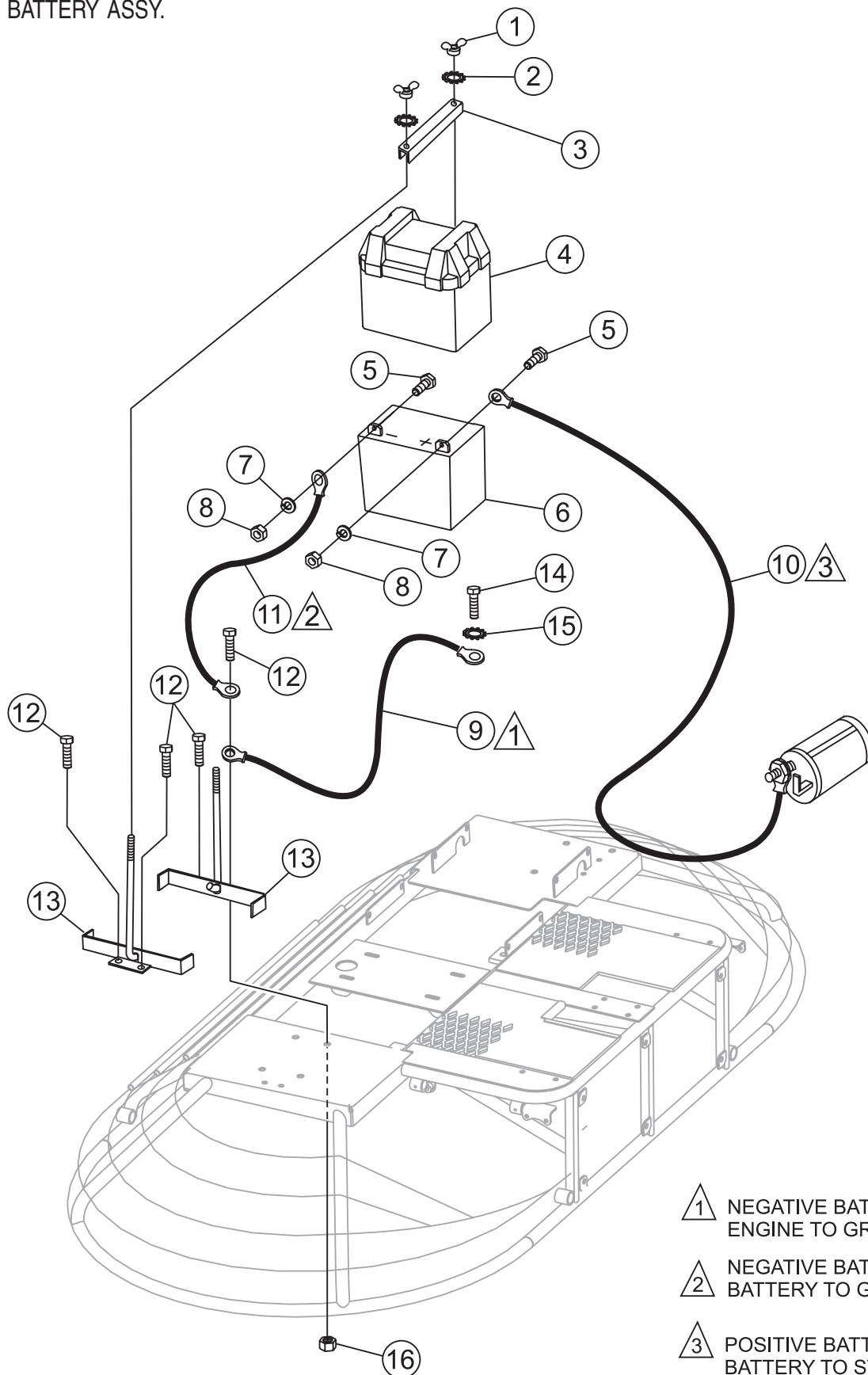
STR46SP — FUEL ASSY.

FUEL ASSY.

<u>NO.</u>	<u>PART NO.</u>	<u>PART NAME</u>	<u>QTY.</u>	<u>REMARKS</u>
1	12404	TANK, FUEL FIVE GALLON	1	
2	11418	FUEL CAP/GAUGE (10.5)	1	
3	4514	SCREW, HHC 1/4 - 20 X 5/8	6	
4	0948	WASHER, FLAT, 1/4 SAE	6	
5	19633	BUSHING, RUBBER FUEL	1	
6	20795	VALVE, SCREENED DAPCO 12570	1	
7	19473	CLAMP, WORM HOSE, #4 (1/4 - 5/8)	3	
8	60079	HOSE, FUEL 5/16 ID	3	SOLD IN 1 FT. LENGTHS
9	0181 B	WASHER, LOCK, 1/4 MED	4	
10	2405002S	FILTER, FUEL PRIMARY 1/4" INLET	1	
11	2555901S	FUEL PUMP, 12 VDC	1	
12	2405010S	FILTER, FUEL SECONDARY	1	
13	2429	HOLDER, SPARE BELT	1	

STR46SP — BATTERY ASSY.

BATTERY ASSY.



▲ 1 NEGATIVE BATTERY CABLE.
ENGINE TO GROUND.

▲ 2 NEGATIVE BATTERY CABLE.
BATTERY TO GROUND.

▲ 3 POSITIVE BATTERY CABLE.
BATTERY TO STARTER.

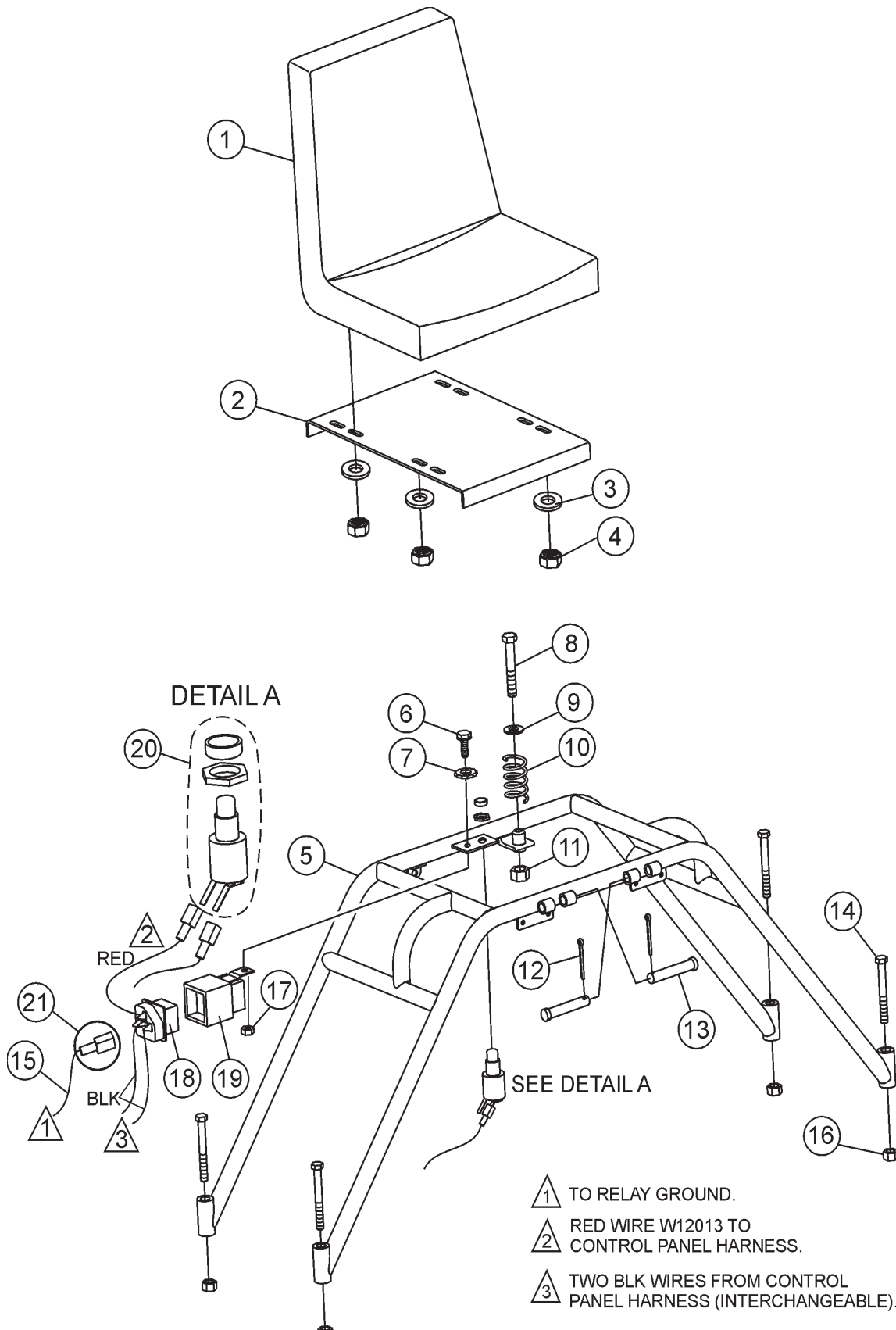
STR46SP — BATTERY ASSY.

BATTERY ASSY.

<u>NO.</u>	<u>PART NO.</u>	<u>PART NAME</u>	<u>QTY.</u>	<u>REMARKS</u>
1	2509	WING NUT, PLATED	2	
2	10031	WASHER, EXT SHKP 1/4	2	
3	11105	BRACKET BATTERY HOLD DOWN	1	
4	2449	BOX, BATTERY GR UI	1	
5	0131 A	SCREW, HHC 1/4 - 20 X 3/4	2	
6		BATTERY,	1 PURCHASE LOCALLY, INTERSTATE #SP40
7	0181 B	WASHER, LOCK, 1/4 MEDIUM	2	
8	0949	NUT, HEX FINISH 1/4 - 20	2	
9	12022	CABLE, BATTERY NEG 4GA 20 - 1/2"	1	
10	12675	CABLE, BATTERY POS 4GA 36"	1	
11	1597	CABLE, BATTERY NEG 4GA 16 - 1/2"	1	
12	0655	SCREW, HHC 5/16 - 18 X 1- 3/4	4	
13	20146	BRACKET BATTERY BOX	2	
14	2866	SCREW, HHC M8 X 1.25 X 20MM	1	
15	13339	WASHER, EXT SHKP 5/16	1	
16	5283	NUT, NYLOC 5/16 - 18	4	

STR46SP — SEAT FRAME ASSY.

SEAT FRAME ASSY.



STR46SP — SEAT FRAME ASSY.

SEAT FRAME ASSY.

<u>NO.</u>	<u>PART NO.</u>	<u>PART NAME</u>	<u>QTY.</u>	<u>REMARKS</u>
1	21861	SEAT, MICHIGAN-ADJUSTABLE W/O ARMS	1	
2	11472-1	SEAT PLATE	1	
3	0300 B	WASHER, FLAT, SAE 5/16	4	
4	5283	NUT, NYLOC 5/16 - 18	4	
5	10896-1	FRAME, SEAT	1	
6	11644	SCREW, HHC, WASHER 10 - 32 X 5/8	1	
7	10237	WASHER, EXT. SHKP, #10	1	
8	8156	SCREW, HHC 3/8 - 16 X 2 - 1/2	1	
9	4001	WASHER, FLAT 3/8 PLTD STD. USS	1	
10	11593	SPRING, SEAT	1	
11	10133	NUT, NYLOC 3/8 - 16	1	
12	0183	PIN, COTTER 1/8 1 - 1/4	2	
13	8081	PIN, CLEVIS 1/2 X 2.75 EFF.	2	
14	10307	SCREW, HHC 1/2 - 13 X 5	4	
15	12014	WIRE, RELAY GROUND	1	
16	10176	NUT, NYLOC 1/2 - 13	4	
17	10019	NUT, NYLOC 10 - 32	1	
18	12018	CONNECTOR, RELAY	1	
19	12017	RELAY, KILL	1	
20	12005	SWITCH, KILL COLE- HER #90036- 02	1	
21	12020	TERMINAL, WIRE	4	
22	10306	SCREW, HHC 1/2-13 X 4 1/2	2	