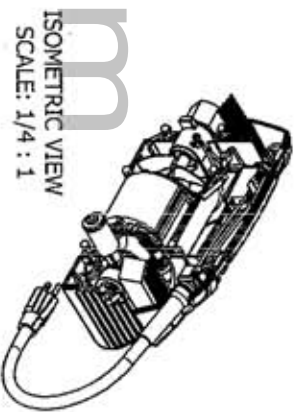
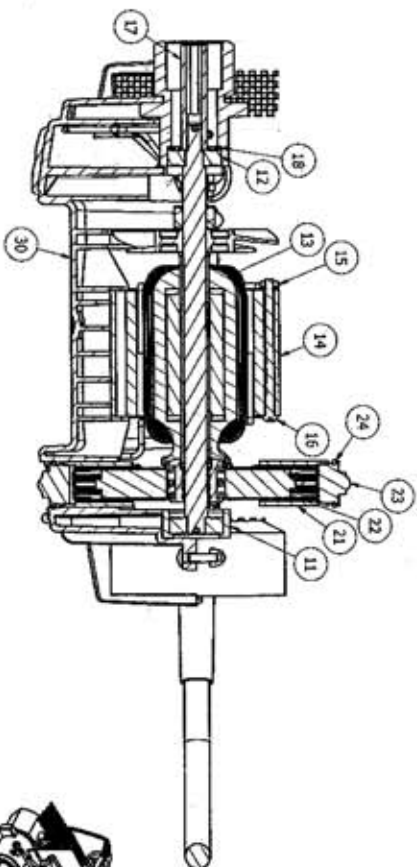
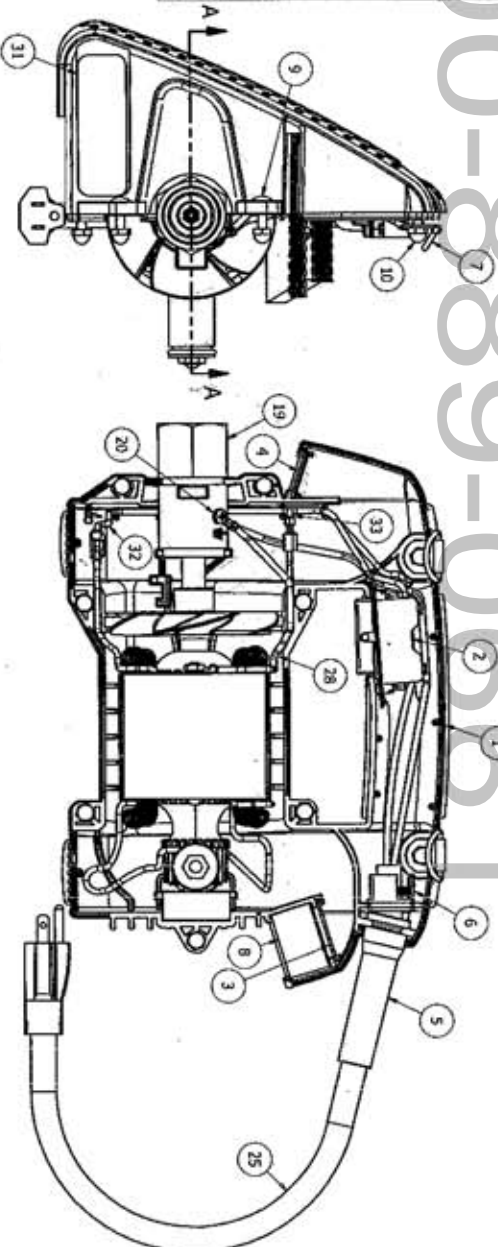


ITEM QTY	PART NUMBER	DESCRIPTION
1	WA23100G	HOUSING, GOLD (RIGHT SIDE NOT SHOWN)
2	WA23110	SWITCH, ROCKER 20A 125-250 VAC
3	WA23120	SCREEN, INTAKE
4	WA23131	SCREEN, EXHAUST
5	WA13338	BEND RELIEF
6	WA23133	STRAIN RELIEF BUSHING
7	WB19014	D-RING
8	WA23132	FILTER INTAKE
9	WA23140	CARRIAGE SCREW; 10-32 UNF; 3/4"
10	WA23141	ACORN NUT, SELF-LOCKING; 10-32 UNF
11	WA24125	CLIP, BEARING; OFFSET; ANODIZE
12	W099909	BEARING, BALL; 1.18 OD; .994 BORE
13	WA23120	ARMATURE; 15 AMP; 115 VOLT
14	WA23121	FIELD; 15 AMP; 115 VOLT
15	WA23346	NUT, HEX; #10-32; W/TOOTH LOCK WASHER
16	WA15212	SCREW, MACHINE; 10-32 X 3"
17	WA15518	DRIVER, HEX; MOTOR; BLACK OXIDE
18	WA13333	SPRING, LOADING
19	WA23224	THREAD HEX MOTOR CONNECTOR GROUND
20	WA23345	SCREW, PAN HEAD; #6-32; W/TOOTH LOCK WASHER
21	WA23115	BRUSH HOLDER
22	WA23117	ASSEMBLY, BRUSH & SPRING; 115V
23	WA23106	BRUSH CAP
24	WA23107	BRUSH CAP O-RING
25	WA23151	CORD SET; 115V; 3 WIRES; W/PLUG
26	WA19013	STRAP, CARRY (NOT SHOWN)
27	WA23158	CORD CLAMP (NOT SHOWN)
28	WA23159	GROUND WIRE JUMPER (FIELD-TO-HEX CONNECTOR)
29	WA23188	LABEL, HEAD CHART (NOT SHOWN)
30	WA23210	LABEL, 994
31	WA23211	NAMEPLATE; 115V; 994; MOTOR; GROUND; THREAD CONNECT
32	WA25550	FIELD TO SWITCH WIRE (LONG WIRE)
33	WA25551	FIELD TO SWITCH WIRE (SHORT WIRE)
34	WF101138	LABEL, HI POT TEST; PASSED (NOT SHOWN)
35	WA23179	SHIPPING CARTON (NOT SHOWN)
36	WA23173	SHIPPING CARTON INSERT (NOT SHOWN)
37	WA23174	SELF LOCKING TIE WIRE (NOT SHOWN)
38	WA23175	VINYL ENVELOPE (NOT SHOWN)
39	WA23182	LABEL, STOCK, SILVER; 3/4" SERIAL LABEL (NOT SHOWN)
40	WR-WR-00028-EN	WARRANTY CARD (NOT SHOWN)
41	WR-UM-00043-EN	OPERATORS AND SERVICE MANUAL (NOT SHOWN)



ISOMETRIC VIEW  
SCALE: 1/4 : 1



[www.copparts.com](http://www.copparts.com)  
 800-889-0661