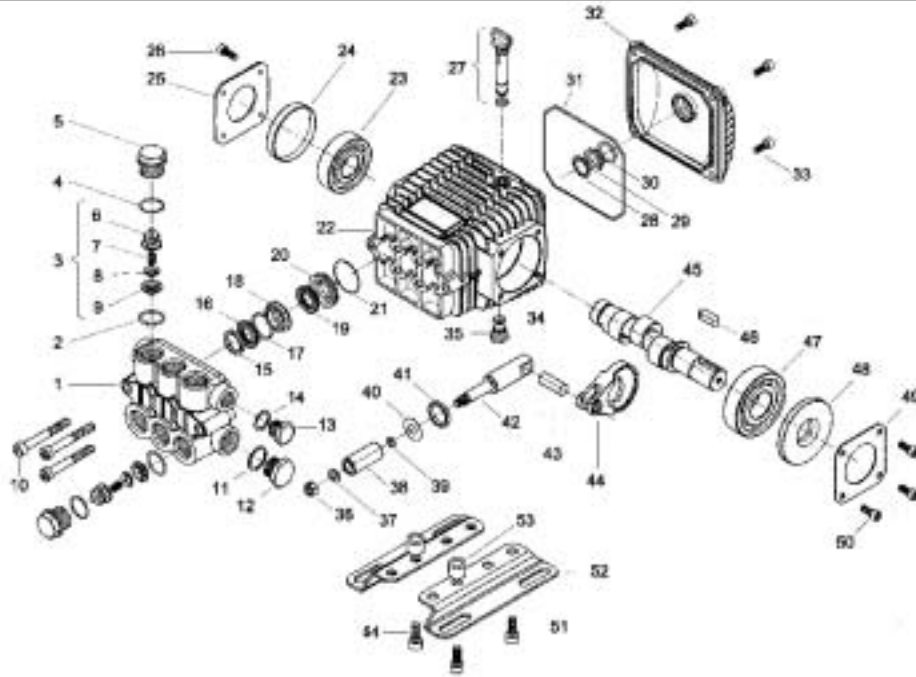


Legacy Model WML 2540



POS NO.	PART NO.	DESCRIPTION	KIT	NO. PCS.
1	15-040118282	Pump Head (D. 18)		1
2	15-803182002	O-Ring Dia. 2.62 x 17.13	63	6
3	15-049824973	Check Valves	63	6
4	15-803182002	O-Ring Dia. 2.62 x 17.13		6
5	15-070040532	Ex. Deep Sealing Valve Cap M27 x 1.5		6
6	15-040114322	Valve Guide	63	6
7	15-380054512	Spring	63	6
8	15-040022682	Valve	63	6
9	15-040023512	Valves Assembly Seat	63	6
10	15-862945002	Screw TCEI M8x60 UNI 5931		8
11	15-824140002	Gasket for Coupling 21.2 x 26 x 1		1
12	15-852629002	Plug G 1/2"		1
13	15-852579002	Plug G 3/8		1
14	15-824109002	Copper Gasket Dia. 17 x 22 x 1		1
15	15-050019322	Seal Packer DN 18/28	70, 12	3
16	15-802061002	V-Packing Dia. 18 x 28 x 5.5	70, 12	3
17	15-050221322	External Check Ring (EX 050088322)	70, 12	3
18	15-050223532	Front Brass Gland Dia. 18mm	70	3
19	15-802044002	U Pressure Seal Dia. 18 x 24 x 4	70, 12	3
20	15-040165532	Rear Gland	70	3
21	15-803073002	O-Ring Dia. 23.52 x 1.78	70, 12	3
22	15-040110092	Crankcase		1
23	15-812725002	Bearing Riv 6B 25		1
24	15-802101002	Cap RCA 6210		1
25	15-050045612	Crankcase Cover		1
26	15-862108002	Screw M6x16 UNI 5931		4
27	15-049832973	Filler Plug		1
28	15-801184002	Ring		1

POS NO.	PART NO.	DESCRIPTION	KIT	NO. PCS.
29	15-040120322	Oil Sight Glass		1
30	15-803189002	O-Ring Dia. 2.62 x 18.72		1
31	15-803210682	O-Ring D.2.62 x 120.32		1
32	15-040117092	Rear Cover		1
33	15-862168002	Galvanized Screw M6x22 UNI 5931		4
34	15-803057002	O-Ring 2037 - 39.34 x 2.62		1
35	15-852543502	Cap G. 1/4 x 9 (EX 852542002)		1
36	15-814561002	Stainless Steel Nut M8 UNI 5589		3
37	15-843642902	Washer Dia. 8.1 x 14 x 1		3
38	15-050010182	Ceramic Piston Dia. 18mm		3
39	15-803049002	O-Ring Dia. 1.78 x 5.28		3
40	15-843726002	Washer Dia. 9.1 x 24 x 1		3
41	15-802035002	Oil Seal Dia. 15 x 24 x 5	64	3
42	15-040107512	Plunger Rod		3
43	15-852003002	Piston Pin Dia. 8 x 25		3
44	15-040115092	Conrod		3
45/4	15-040149262	Crankshaft D.24 E=6.8		1
46	15-806522002	Tab 8 x 7 x 25		1
47	15-812725002	Bearing Riv 6B 25		1
48	15-802100002	Oil Seal 25 x 62 x 10		1
49	15-050045612	Crankcase Cover		1
50	15-862108002	Screw M6x16 UNI 5931		1
51	15-862495002	Screw M8x16 (Optional)		1
52	15-040247612	Mounting Rail (Optional)		1
53	15-040266612	Spacer (Optional)		4
54	15-862627002	Screw M8 x 22 (Optional)		2
55	15-049833973	Mounting Rail Kit (Optional)		1

	KIT 63 CHECK VALVE/O-RING	KIT 64 PLUNGER OIL SEAL	KIT 70 PACKING/ BRASS ASSY	KIT 12 PACKING ONLY
KIT BREAKDOWN				
PART #	15-63	15-64	15-70	15-12
TOTAL PCS.	12	3	21	15