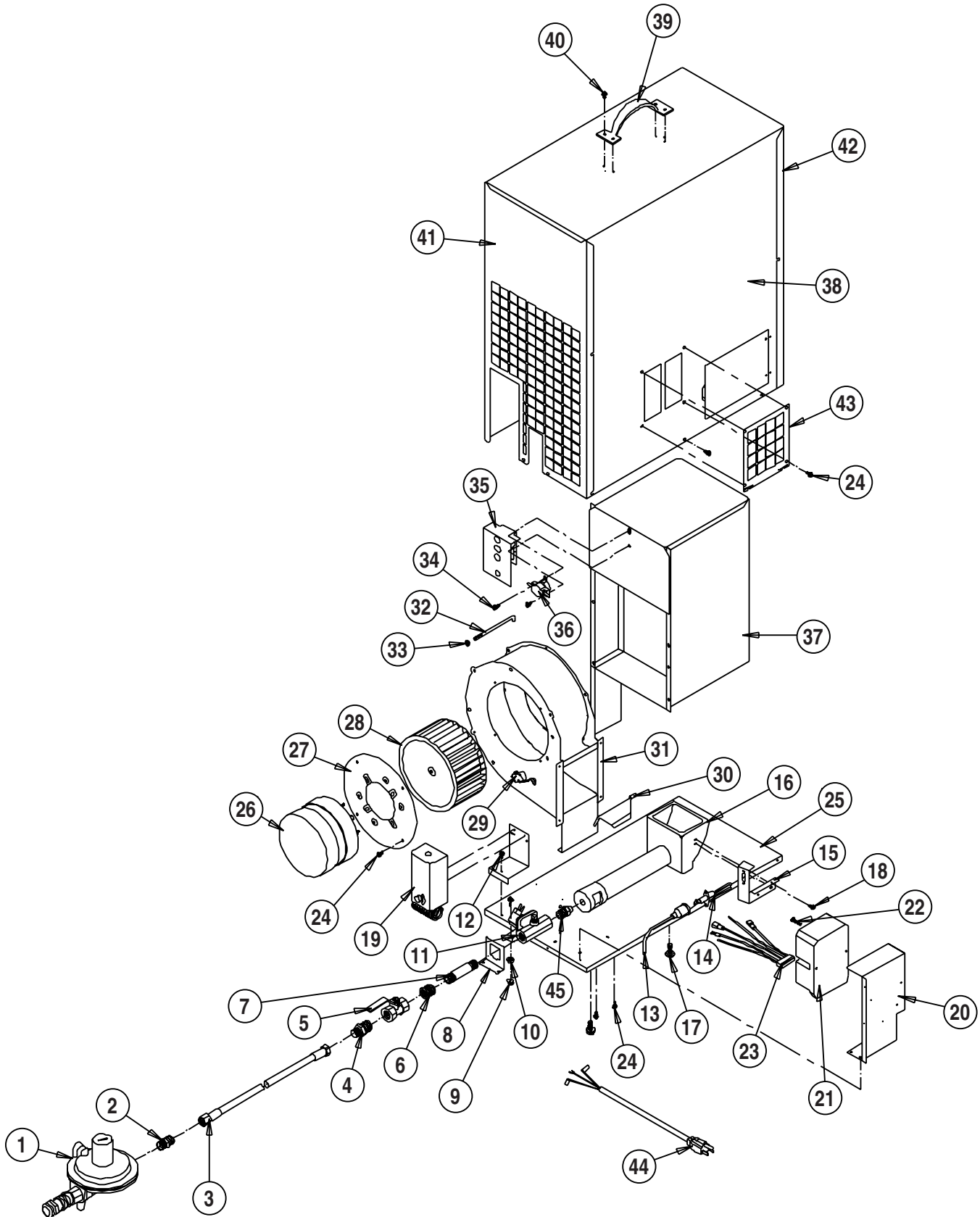




***PREMIER SERIES***  
***and Other Unit Heaters***

# Tent Heaters

MODELS 286A & 286B



# Unit Heaters

## PARTS IDENTIFICATION

Item	Description	Models	
		286A	286B
1	Regulator	550-06772	
2	Adapter, 3/8 NPT x 1/2 NPS	310-03536	
3	Hose, 1/2 In. x 10 Ft.	400-20243	
4	Adapter, 1/2 NPT x 1/2 NPS	310-02894	
5	Valve, Manual Shut-Off	130-05548	
6	Bushing	130-01195	
7	Nipple	130-03122	
8	Bracket	220-06487	
9	Nut	130-03103	
10	Washer	130-05551	
11	Valve Gas Control	410-05547	
12	Screw	130-05552	
13	Wire Igniter	120-06613	
14	Ignitor	410-06479	
15	Bracket Ignitor	220-06478	
16	Burner	320-08026	
17	Screw	130-08029	
18	Screw	130-08052	
19	Thermostat w/ Bracket	500-05568	
20	Bracket, Ignition Control	220-06473	
21	Control, Ignition	550-07324	
22	Screw	130-02330	
23	Harness, Wiring	120-07027	
24	Screw	130-07288	
25	Base	220-07466	
26	Motor	550-07487	
27	Plate, Motor Mounting	220-05490	
28	Fan	130-02808	
29	Switch, Air Proving	410-05550	
30	Sail, Flapper	240-05559	
31	Housing	500-05575	
32	Bolt	130-03500	
33	Nut	130-03499	
34	Screw	130-06658	
35	Cover, High Limit	220-05567	
36	Switch, High Limit	120-07264	120-05566
37	Chamber, Heat	420-07767	
38	Case Assembly	400-07749	
39	Handle	550-03941	
40	Screw	130-03973	
41	Panel, Left	270-07751	
42	Panel, Right	270-07331	
43	Guard, Fan Outlet	220-06477	
44	Cord, Power	120-01220	
45	Orifice, Burner	310-05560	