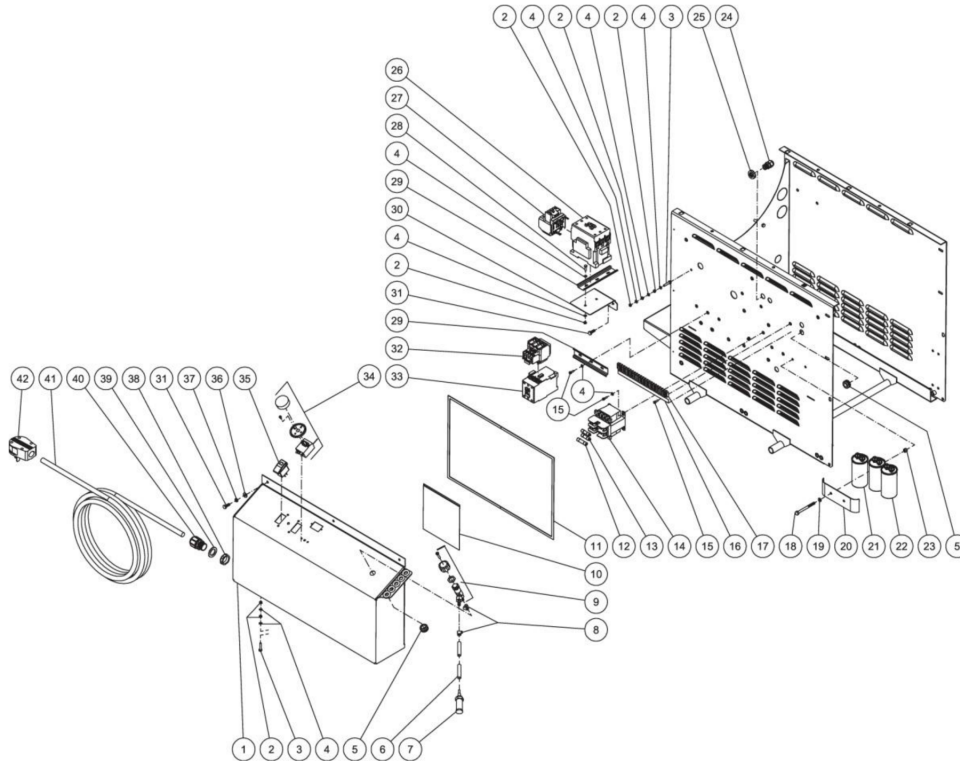




HHS-2004-1E8A / HHS-2004-1E8A (sn:0-99999999)

ELECTRIC BOX



Id	Item #	Description	Quantity
1	20-0824A18	ELECTRIC BOX	1
2	30-6001	NUT	5
2	30-6001	HEX NUT - M5 X 0.8 (HHS-3005-1E2/8G/A)	7
3	27-8807	BOLT	2
4	28-1009	STAR WASHER	7
4	28-1009	EXTERNAL TOOTH LOCKWASHER (HHS-3005-1E2/8G/A)	9
5	33-0001	GROMMET	9
6	15-0021	HOSE *(SIX FEET REQUIRED)	1
7	19-0056	STRAINER	1
8	42-0004	CLAMP WORM	2
9	22-0226	DETERGENT VALVE	1
10	41-0184	PLASTIC ZIPLOCK BAG	1
11	26-0240	GASKET	1

Id	Item #	Description	Quantity
12	32-0471	FUSE	1
13	32-0467	FUSE	2
14	32-0313	TRANSFORMER	1
15	27-8835	SCREW	6
16	34-0867	DECAL - TERMINAL STRIP #01-22 *(SEE 34-9037)	1
17	32-0463	TERMINAL STRIP	1
18	27-0024	BOLT	2
18	27-0759	SHCS-ZI GR5 #10-24 X 4-1/2 (HHS-3005-1E8G/A)	1
19	28-0001	WASHER	2
19	28-0001	FLATWASHER - 3/16 ZINC (HHS-3005-1E2/8G/A)	3
20	20-0538A01	CAPACITOR CLAMP (HHS-3004-1E2/8G/A, HHS-3005-1E2G/A)	1
20	20-0467	CAPACITOR CLAMP (W/MOTOR) (HHS-3005-1E8G/A)	3
20	20-0467	CAPACITOR CLAMP (W/MOTOR) (HHS-2004-1E2/8G/A)	1
21	32-0686	CAPACITOR - START (W/MOTOR) (HHS-2004-1E2/8G/A, HHS-3004-1E2/8G/A)	1
21	32-0686	CAPACITOR - START (W/MOTOR) (HHS-3005-1E2/8G/A)	2
22	32-0519	CAPACITOR - RUN (W/MOTOR) (HHS-2004-1E2G/A ONLY)	1
22	32-0519	CAPACITOR - RUN (W/MOTOR)	2
23	30-0155	LOCKNUT	2
23	30-0154	HEX NYLON LOCKNUT-ZINC #10-24 (HHS-3005-1E8G/A ONLY)	1
24	32-0586	STRAIN RELIEF	1
25	32-0587	ELECTRICAL LOCKNUT	1
26	32-0480	CONTACTOR 60A 3 POLE W/AUX (HHS-3005-1E2/8G/A)	1
27	32-0490	OVERLOAD (HHS-3005-1E2/8G/A)	1
28	27-8878	BOLT (HHS-3005-1E8G/A ONLY)	2
29	32-0316	DIN RAIL *(ONE FOOT REQUIRED)	2
30	20-0826A18	BRACKET - CONTACTOR	1
31	27-0015	BOLT	3
31	27-0015	HHCS-ZI GR5 1/4-20 X 3/4" (HHS-3005-1E2/8G/A ONLY)	5
32	32-1073	OVERLOAD RELAY	1
32	32-0485	OVERLOAD RELAY 30-45A (HHS-3004-1E2/8G/A)	1
33	32-0479	CONTACTOR 43A 3 POLE W/AUX	1
34	32-0962	ADJUSTABLE THERMOSTAT	1
35	32-0669	ROCKER SWITCH	1
36	28-0002	WASHER	3
37	29-0006	LOCKWASHER	3
37	29-0006	LOCKWASHER-ZINC MED 1/4 (HHS-3005-1E2/8G/A ONLY)	5
38	32-0292	ELECTRICAL LOCKNUT (HHS-2004-1E2/8G/A, HHS-3004-1E2G/A)	1

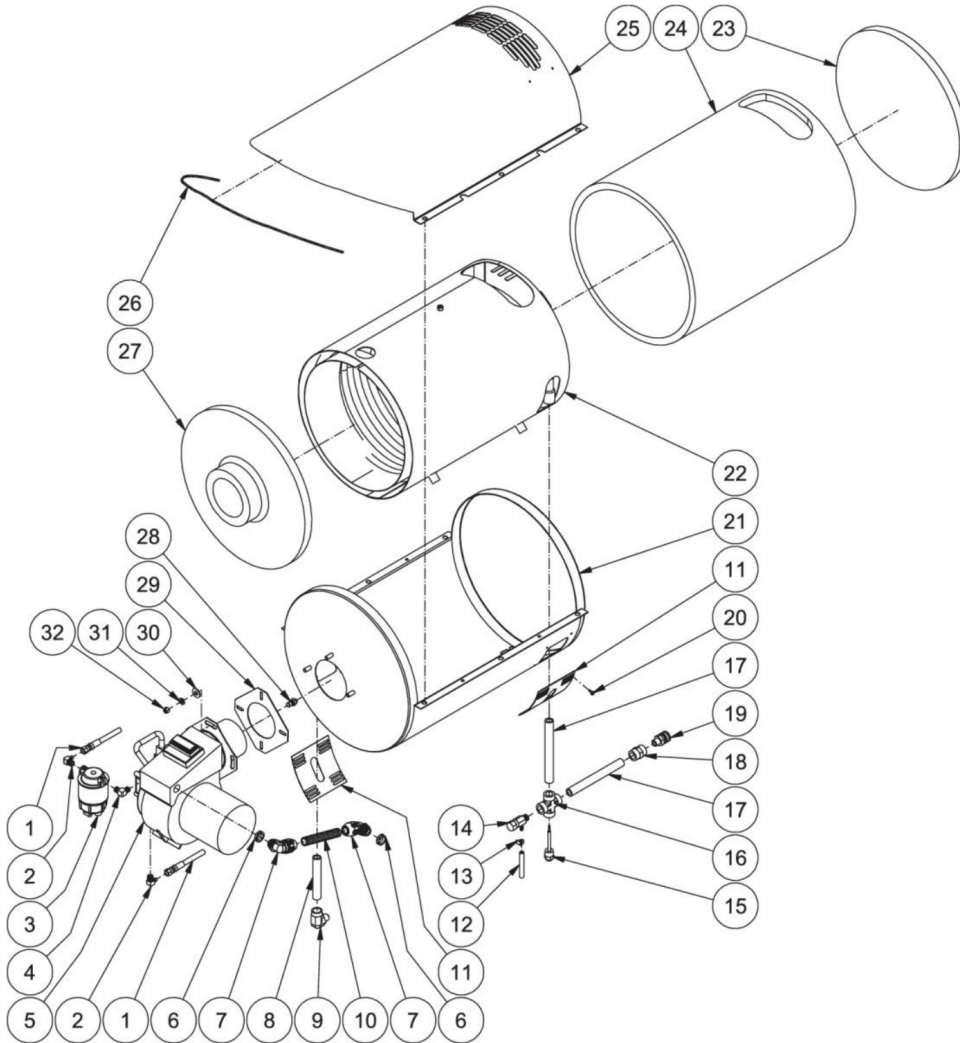
Id	Item #	Description	Quantity
38	32-0515	NUT ELECTRIC CONDUIT 1" (HHS-3004-1E8G/A, HHS-3005-1E2/8G/A)	1
39	28-0051	WASHER	1
40	9-0046	CORD RELIEF (HHS-2004-1E2/8G/A, HHS-3004-1E2G/A)	1
40	9-0048	BUSHING 1" ELEC .7-.95 CORD (HHS-3004-1E8G/A, HHS-3005-1E2/8G/A)	1
41	32-0021	CORD (HHS-2004-1E8G/A, HHS-3004-1E2G/A) (37' REQUIRED)	1
41	32-0334	GFCI-W/35'CORD-30AMP-240VOLT (HHS-2004-1E2G/A)	1
41	32-0504	CORD 6/3 (HHS-3004-1E8G/A, HHS-3005-1E2/8G/A) (37' REQUIRED)	1
42	32-0012	PLUG (N/A HHS-2004-1E2G/A)	1
42	32-9205	WIRE KIT - HHS	1

*MUST ORDER IN ONE FOOT LENGTHS



HHS-2004-1E8A / HHS-2004-1E8A (sn:0-99999999)

HEAT EXCHANGER



Id	Item #	Description	Quantity
1	15-0147	FUEL HOSE	2
2	23-0237	ELBOW	2
3	19-0070	FUEL FILTER / WATER SEPERATOR	1
4	23-0130	ELBOW	1
5	4-0017	BURNER (2004/3004/3005-1E4/5G)	1
5	4-0018	BURNER SM 240VOLT (2004/3004/3005-1E2/3/8/9G)	1
5	4-0029	BURNER SM 115VOLT (1002/1003/1502-1E1G)	1
6	32-0108	ELECTRICAL LOCKNUT	2

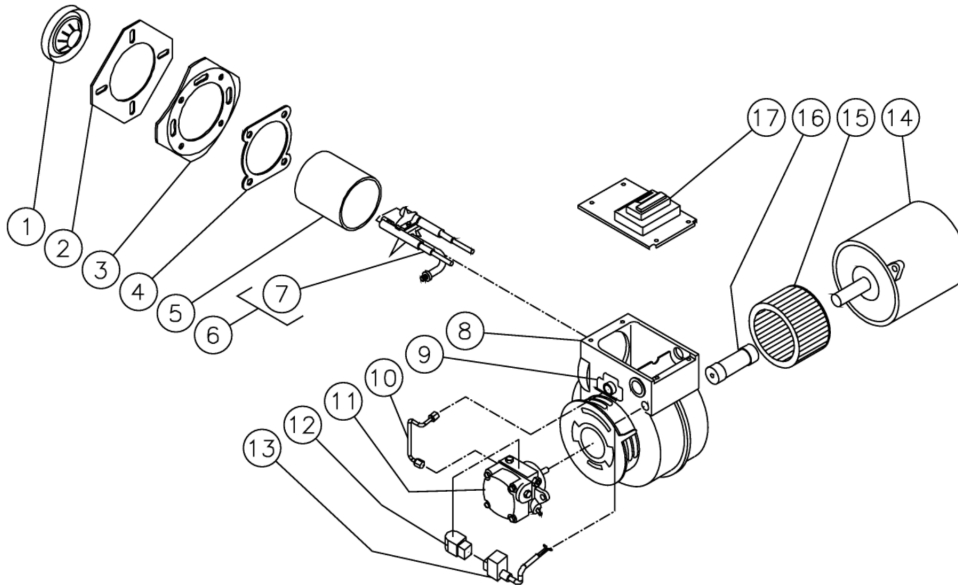
Id	Item #	Description	Quantity
7	32-0254	CONDUIT ELBOW	2
8	24-0245	PIPE NIPPLE	1
9	24-0240	ELBOW	1
10	32-0253	CONDUIT FLEX *(TWO FEET REQUIRED)	1
11	20-0537A18	PATCH PLATE	2
12	15-0008	FUEL HOSE *(TWO FEET REQUIRED)	1
13	42-0004	CLAMP WORM	1
14	22-0309	SAFETY RELIEF VALVE (3004/3005)	1
14	22-0308	PRESSURE RELIEF VALVE - 3500 PSI (1002/1502/1003/2004)	1
15	32-0962	ADJUSTABLE THERMOSTAT	1
16	24-0241	CROSS	1
17	24-0255	PIPE NIPPLE	2
18	24-0243	ADAPTER	1
19	17-0007	QUICK CONNECT SOCKET	1
20	27-3062	BOLT	8
21	20-0527A18	BOTTOM WRAP	1
22	66-0014	COIL	1
23	33-0346	INSULATION DISC (THREE FEET REQUIRED)	1
24	850-0279	INSULATION BLANKET	1
24	33-0032	INSULATION BLANKET - 24" X 57" LONG 1" THICK	1
25	21-0129	TOP WRAP	1
26	33-0020	EDGING *(THREE FEET REQUIRED)	1
27	33-0345	INSULATION DRUM HEAD	1
28	18-0090	FUEL NOZZLE (2004)	1
28	18-0091	NOZZLE SOLID OIL 2.0 80 DEG B (3004)	1
28	18-0093	NOZZLE SOLID OIL 2.50 80 DEG (3005)	1
28	18-0356	NOZZLE-FUEL 1.50 90 DEG A (1003)	1
28	18-0357	NOZZLE-FUEL 1.00 90 DEG A (1502/1002)	1
29	44-0108	GASKET	1
30	28-0023	WASHER	3
31	29-0008	LOCKWASHER	3
32	30-0006	NUT	3

*MUST ORDER IN ONE FOOT LENGTHS



HHS-2004-1E8A / HHS-2004-1E8A (sn:0-99999999)

BURNER ASSEMBLY



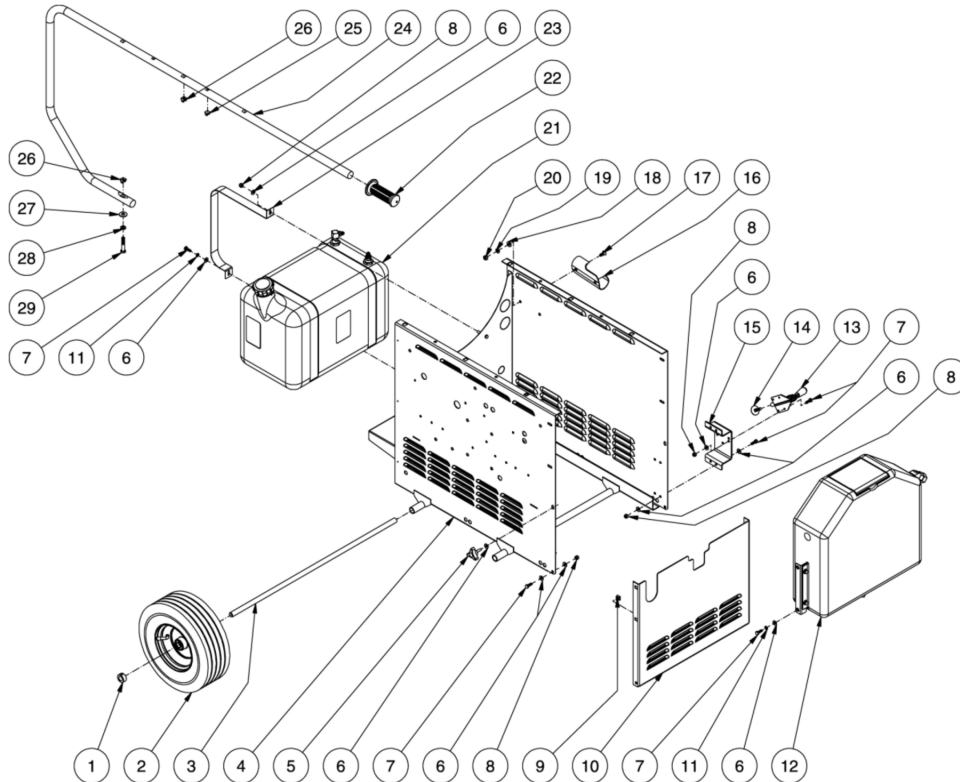
Id	Item #	Description	Quantity
1	44-0011	BURNER HEAD	1
2	44-0108	MOUNTING GASKET	1
3	44-0109	FLANGE	1
4	26-0138	GASKET	1
5	44-0110	AIR TUBE	1
6	44-0113	NOZZLE LINE ASSEMBLY (INC. 7)	1
7	44-0114	ELECTRODE KIT	1
8	44-0033	BURNER HOUSING	1
9	44-0031	ESCUTCHEON PLATE	1
10	44-0026	FUEL LINE	1
11	3-0236	FUEL PUMP	1
12	46-1020	FUEL SOLENOID	1
13	44-0122	CORD SET	1
14	2-0068	MOTOR (4-0017)	1
14	2-0067	MOTOR (4-0018)	1
15	44-0071	BLOWER WHEEL	1
16	44-0014	COUPLER	1

Id	Item #	Description	Quantity
17	44-0017	IGNITION TRANSFORMER (4-0017)	1
17	44-0015	IGNITION TRANSFORMER (4-0018)	1
	4-0017	COMPLETE BURNER (INCLUDES 1-17)	
	4-0018	COMPLETE BURNER (INCLUDES 1-17)	



HHS-2004-1E8A / HHS-2004-1E8A (sn:0-99999999)

CHASSIS ASSEMBLY



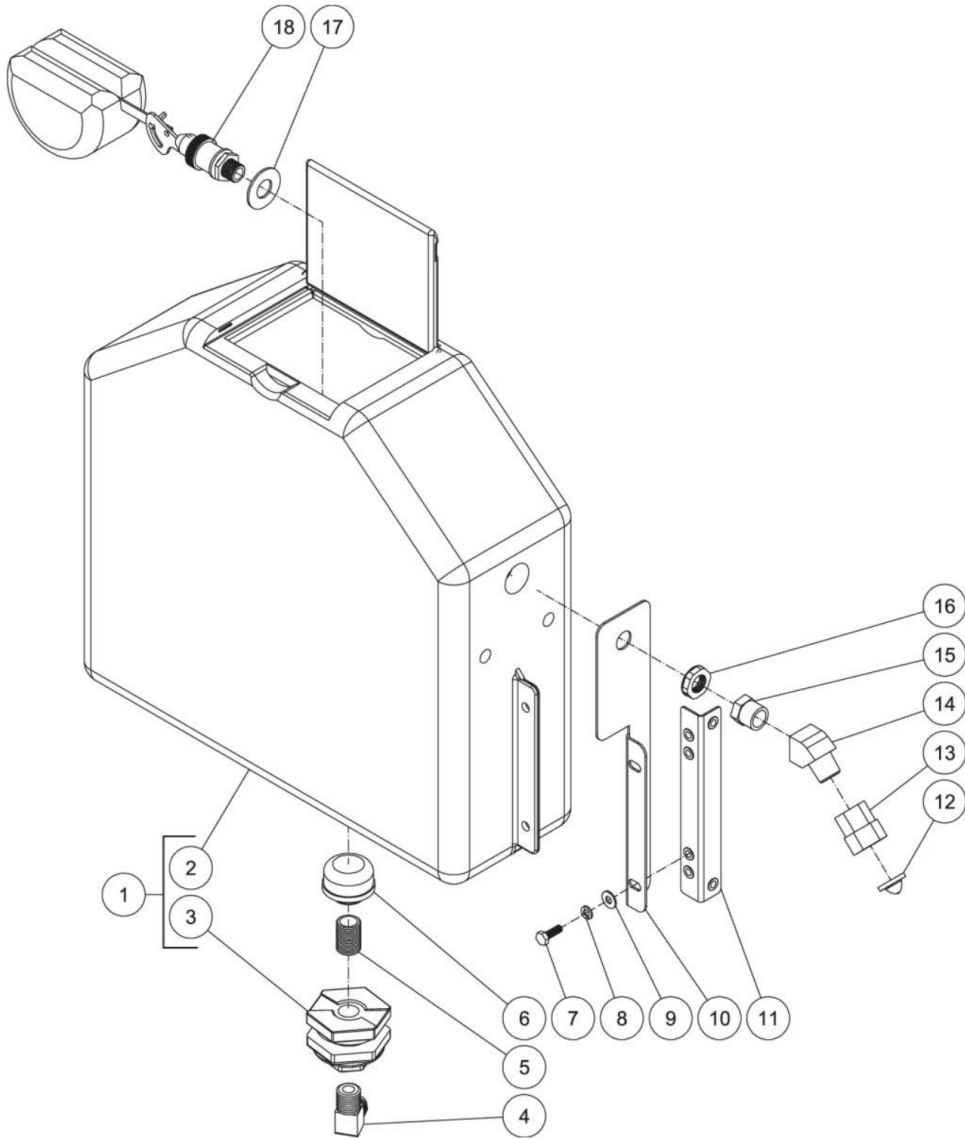
Id	Item #	Description	Quantity
1	33-0351	COLLAR W/ SET SCREW	4
2	14-0006	WHEEL	4
3	20-0524	AXLE	2
4	5-0230A18	CHASSIS ASSEMBLY	1
5	7-0168	3-PRONG KNOB	2
6	28-0002	FLATWASHER	26
7	27-0015	BOLT	16
8	30-0155	HEX NUT	12
9	30-6026	CLIP NUT	2
10	20-0525A18	ACCESS DOOR	1
11	29-0006	LOCKWASHER	6
12	N/A Sep.	FLOAT TANK ASSEMBLY (SEE EXPLODED DRAWING)	1
13	33-0400	PUSH/PULL BRAKE	1

Id	Item #	Description	Quantity
14	27-9550	ELEVATOR BOLT	1
15	20-0825A18	BRAKE BRACKET	1
16	20-0870A18	WAND HOLDER	1
17	27-0418	BOLT	2
18	28-0003	FLATWASHER	2
19	29-0007	LOCKWASHER	2
20	30-0005	NUT	2
21	850-0303	FUEL TANK ASSEMBLY	1
22	7-0167	HANDLE GRIP	2
23	20-0598A18	FUEL TANK STRAP	2
24	7-0166A18	HANDLE	2
25	30-6027	CLIP NUT	4
26	30-6025	CLIP NUT	8
27	28-0023	WASHER	2
28	29-0008	LOCKWASHER	2
29	27-0121	BOLT	2



HHS-2004-1E8A / HHS-2004-1E8A (sn:0-99999999)

FLOAT TANK



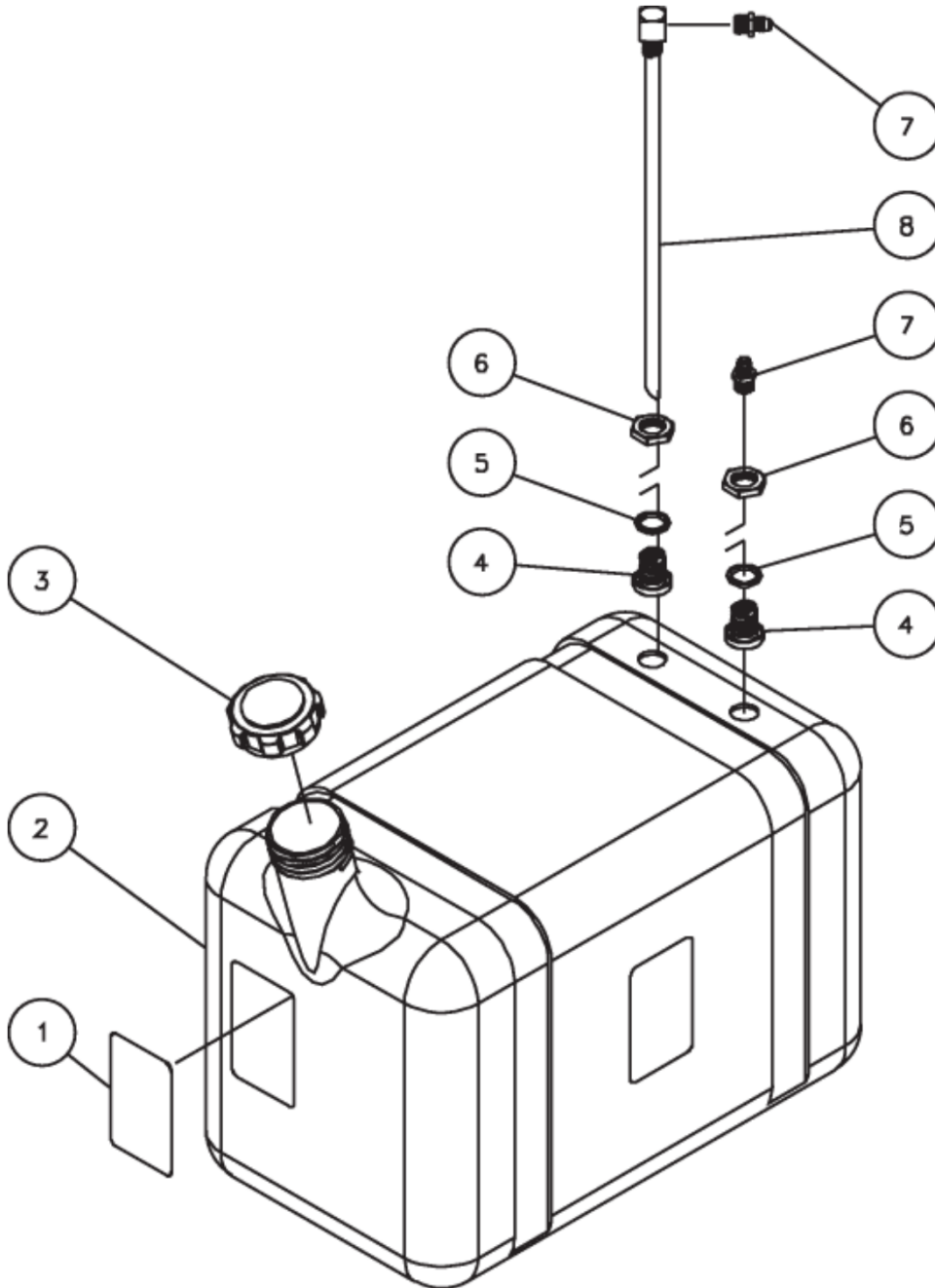
Id	Item #	Description	Quantity
1	850-0321	FLOAT TANK ASSEMBLY (INC. 1-2)	1
2	N/A	FLOAT TANK	1
3	55-0886	BULKHEAD	1
4	23-0389	ELBOW	1
5	23-0019	NIPPLE	1
6	19-0203	STRAINER	1

Id	Item #	Description	Quantity
7	27-0015	BOLT	4
8	29-0006	LOCKWASHER	4
9	28-0002	WASHER	4
10	20-0911A18	BRACKET	1
11	20-0599A18	BRACKET	2
12	19-0001	FILTER	1
13	23-0001	SWIVEL	1
14	23-0344	ELBOW	1
15	23-0016	REDUCER BUSHING	1
16	23-0138	NUT	1
17	28-0050	WASHER	1
18	850-0238	FLOAT VALVE - MODIFIED	1



HHS-2004-1E8A / HHS-2004-1E8A (sn:0-99999999)

FUEL TANK ASSEMBLY



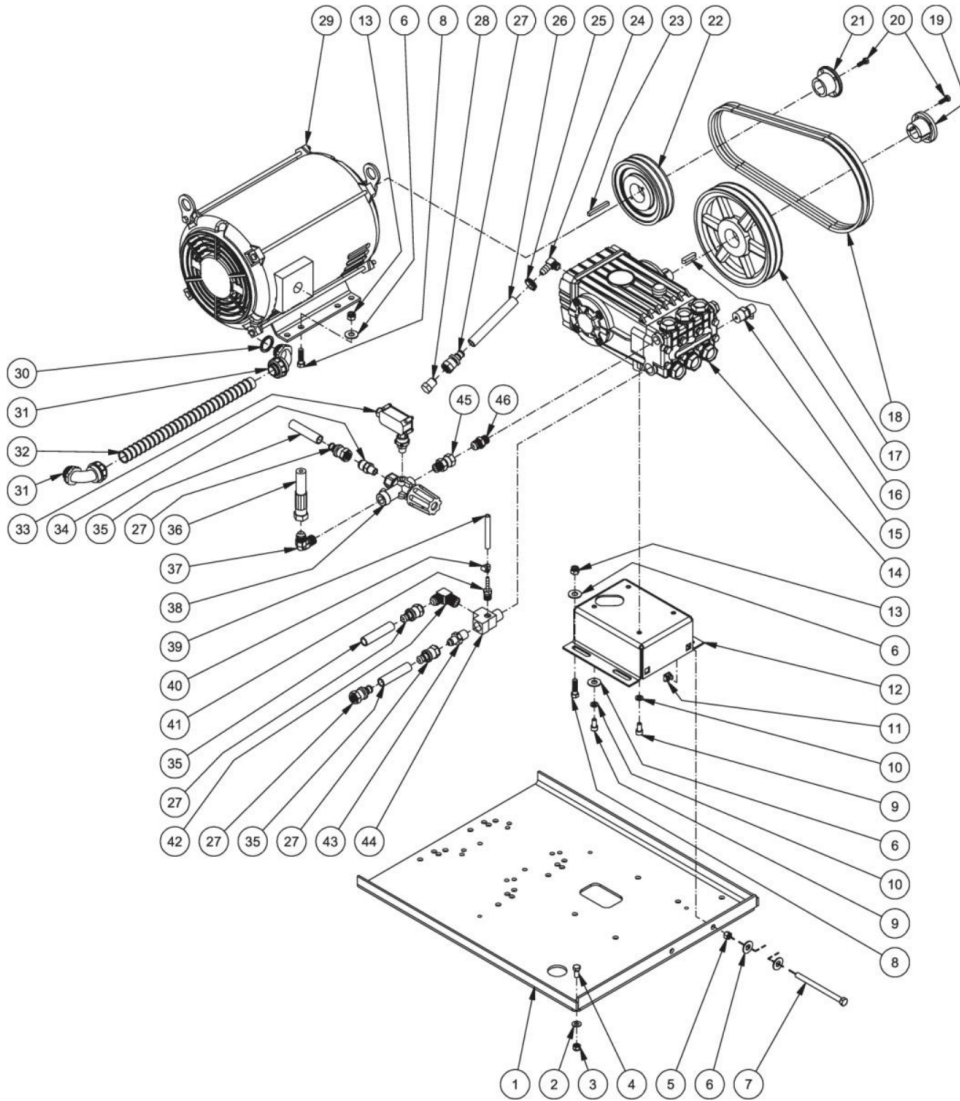
Id	Item #	Description	Quantity
1	34-1034	DECAL- CAUTION: RISK OF FIRE	1
2	12-0126	FUEL TANK	1
3	12-0033	VENTED FUEL CAP	1

Id	Item #	Description	Quantity
4	23-0408	BULKHEAD FITTING	2
5	25-0427	O-RING	2
6	23-0409	NUT	2
7	23-0247	FLARE FITTING	2
8	33-0352	FUEL PICK-UP	1



HHS-2004-1E8A / HHS-2004-1E8A (sn:0-99999999)

MOTOR/PUMP ASSEMBLY



Id	Item #	Description	Quantity
1	5-0152A18	MOTOR PUMP BASEPLATE	1
2	28-0003	WASHER	1
3	30-0157	LOCKNUT	1
4	27-0066	BOLT	1
5	30-0006	NUT	2
6	28-0023	WASHER	13
7	27-0133	BOLT	2

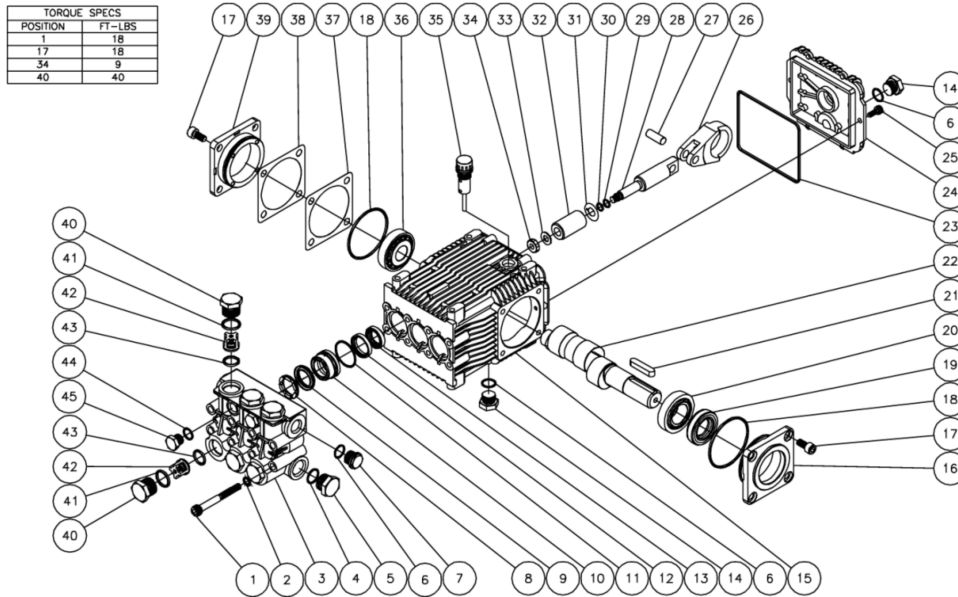
Id	Item #	Description	Quantity
8	27-0118	BOLT	8
9	27-8884	BOLT (A)	4
9	27-8471	BOLT (G)	4
10	29-0054	LOCKWASHER (A)	4
10	29-0055	LOCKWASHER (G)	4
11	30-6025	CLIP NUT	2
12	5-0154A18	PUMP HAT (A)	1
12	5-0153A18	PUMP HAT (G)	1
13	30-0159	LOCKNUT	8
14	3-0202	PUMP (G)	1
14	3-0211	PUMP (A)	1
15	22-0414	HEAT DUMP VALVE	1
16	43-0048	KEY	1
17	10-0007	SHEAVE	1
18	11-0008	BELT	2
18	11-0057	BELT (HHS-3004)	2
18	11-0030	BELT (HHS-3005)	2
19	9-0017	BUSHING	1
20	27-0015	BOLT	4
21	9-0010	BUSHING (HHS-2004)	1
21	9-0008	BUSHING (HHS-3004/3005)	1
22	10-0036	SHEAVE (HHS-2004)	1
22	10-0041	SHEAVE (HHS-3004)	1
22	10-0104	SHEAVE (HHS-3005)	1
23	43-0078	KEY	1
24	23-0119	ELBOW	1
25	42-0011	HOSE CLAMP	1
26	15-0007	HOSE *(ONE FOOT REQUIRED)	1
27	23-0360	HOSE BARB	5
28	23-0411	PLUG	1
29	2-0110	MOTOR - 8HP (HHS-3004-1E3/4A/G)	1
29	2-0107	MOTOR - 6HP (HHS-2004-1E2A/G)	1
29	2-0112	MOTOR - 10HP (HHS-3005-1E3/4A/G)	1
29	2-0132	MOTOR - 10HP (HHS-3005-1E2A/G)	1
29	2-0131	MOTOR - 10HP (HHS-3005-1E9A/G)	1
29	2-0129	MOTOR - 8HP (HHS-3004-1E9A/G)	1
29	2-0127	MOTOR - 6HP (HHS-2004-1E9A/G)	1
29	2-0125	MOTOR - 8HP (HHS-3004-1E8A/G)	1
29	2-0124	MOTOR - 6HP (HHS-2004-1E8A/G)	1

Id	Item #	Description	Quantity
29	2-0113	MOTOR - 10HP (HHS-3005-1E5A/G)	1
29	2-0111	MOTOR - 8HP (HHS-3004-1E5A/G)	1
29	2-0109	MOTOR - 8HP (HHS-3004-1E2A/G)	1
29	2-0130	MOTOR - 10HP (HHS-3005-1E8A/G)	1
29	2-0108	MOTOR - 6HP (HHS-2004-1E3/4A/G)	1
30	26-0314	GASKET	1
31	32-0487	CONDUIT ELBOW	2
32	32-0486	CONDUIT FLEX *(THREE FEET REQUIRED)	1
33	22-0171	PRESS SWITCH	1
34	23-0370	NIPPLE	1
35	15-0200	HOSE *(THREE FEET REQUIRED)	3
36	15-0221	HIGH PRESSURE HOSE ASSEMBLY	1
37	24-0092	ELBOW	1
38	850-0252	UNLOADER	1
39	15-0021	HOSE *(THREE FEET REQUIRED)	1
40	42-0004	CLAMP WORM	1
41	23-0051	BARB	1
42	23-0389	ELBOW	1
43	23-0361	NIPPLE	1
44	23-0388	STREET TEE	1
45	24-0037	SWIVEL	1
46	24-0002	NIPPLE	1



HHS-2004-1E8A / HHS-2004-1E8A (sn:0-99999999)

PUMP ASSEMBLY



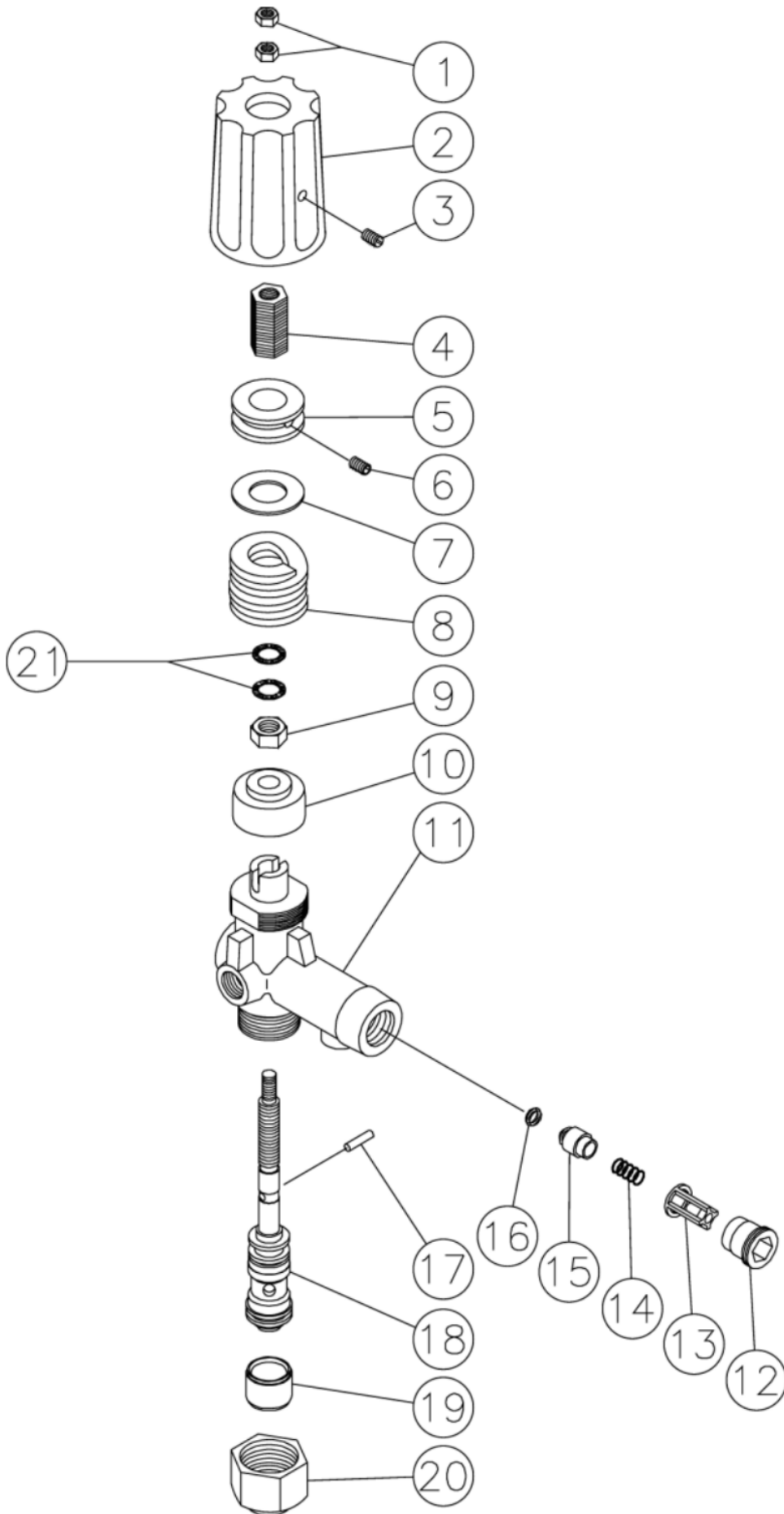
Id	Item #	Description	Quantity
1	27-8440	SCREW	8
2	29-0154	LOCKWASHER	8
3	46-0927	PUMP HEAD	1
4	25-0372	O-RING	1
5	39-0103	PLUG	1
6	25-0510	O-RING	3
7	39-0205	PLUG	1
8	SEE KIT	SUPPORT RING (SEE 70-0323)	3
9	SEE KIT	GASKET (SEE 70-0322)	3
10	46-0929	PISTON GUIDE	3
11	SEE KIT	O-RING (SEE 70-0322)	3
12	SEE KIT	GASKET (SEE 70-0322)	3
13	SEE KIT	SEAL (SEE 70-0321)	3
14	39-0206	PLUG-OIL DRAIN	2
15	46-0811	CRANKCASE	1
16	46-0691	PUMP SHAFT COVER	1
17	27-8884	SCREW	8

Id	Item #	Description	Quantity
18	SEE KIT	O-RING (SEE 70-0321)	2
19	SEE KIT	OIL SEAL (SEE 70-0321)	1
20	48-0061	BEARING	1
21	43-0091	KEY	1
22	46-0933	CRANKSHAFT	1
23	SEE KIT	O-RING (SEE 70-0321)	1
24	46-0719	CRANKCASE COVER	1
25	27-8401	SCREW	6
26	46-0922	CONNECTING ROD	3
27	46-0698	PISTON PIN	3
28	46-0699	PLUNGER ROD	3
29	25-0404	BACK-UP RING	3
30	25-0382	O-RING	1
31	46-0700	WASHER	3
32	SEE KIT	PISTON (SEE 70-0320)	3
33	26-0191	SEAL	3
34	30-6020	NUT	3
35	39-0090	OIL DIPSTICK	1
36	48-0072	BEARING	1
37	46-0936	PUMP SHIM (0.25MM)	1
38	46-0705	PUMP SHIM (0.2MM)	1
39	46-0703	BEARING CAP/ SUPPORT	1
40	39-0105	VALVE CAP	6
41	25-0160	O-RING	6
42	SEE KIT	COMPLETE VALVE (SEE 70-0319)	6
43	25-0386	O-RING	6
44	25-0387	O-RING	2
45	39-0207	PLUG	2
KIT	70-0319	VALVE KIT (INC. 6 EACH OF 42)	
KIT	70-0320	PISTON KIT (INC. 3 EACH OF 32)	
KIT	70-0321	OIL SEAL KIT (INC. 4 EACH OF 13, 18-19, 23)	
KIT	70-0322	WATER SEALS KIT (INC. 3 EACH OF 9, 11, 12)	
KIT	70-0323	SUPPORT RING KIT (INC. 3 EACH OF 8)	



HHS-2004-1E8A / HHS-2004-1E8A (sn:0-99999999)

UNLOADER ASSEMBLY

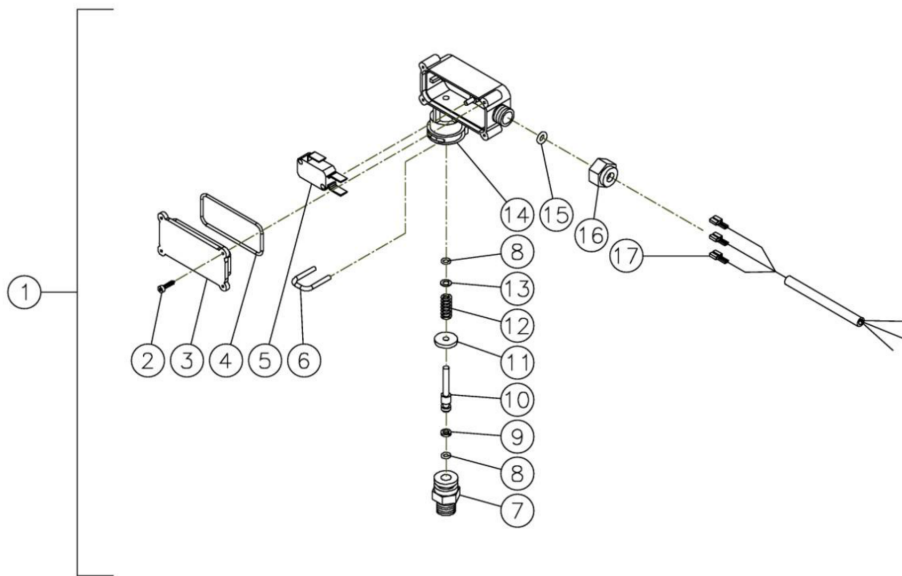


Id	Item #	Description	Quantity
1	8-0362	HEX NUT	2
2	7-0098	COVER	1
3	27-4280	SET SCREW	1
4	8-0363	ADJUSTING INSERT- BRASS	1
5	8-0364	ADJUSTMENT NUT	1
6	8-0365	SET SCREW	1
7	8-0366	GLIDE RING	1
8	49-0104	SPRING	1
9	8-0367	HEX NUT	1
10	8-0368	BUSHING	1
11	8-0369	UNLOADER BODY	1
12	8-0269	RETAINER	1
13	8-0104	VALVE HOUSING	1
14	49-0023	SPRING	1
15	8-0105	VALVE	1
16	25-0036	O-RING	1
17	8-0372	CYLINDER PIN	1
18	70-0243	PISTON REPAIR KIT	1
19	8-0371	SPACER	1
20	8-0157	STOP NUT	1
21	29-0154	WASHER	2
	70-0244	CHECK VALVE REPAIR KIT (INCLUDES 13-16)	



HHS-2004-1E8A / HHS-2004-1E8A (sn:0-99999999)

PRESSURE SWITCH



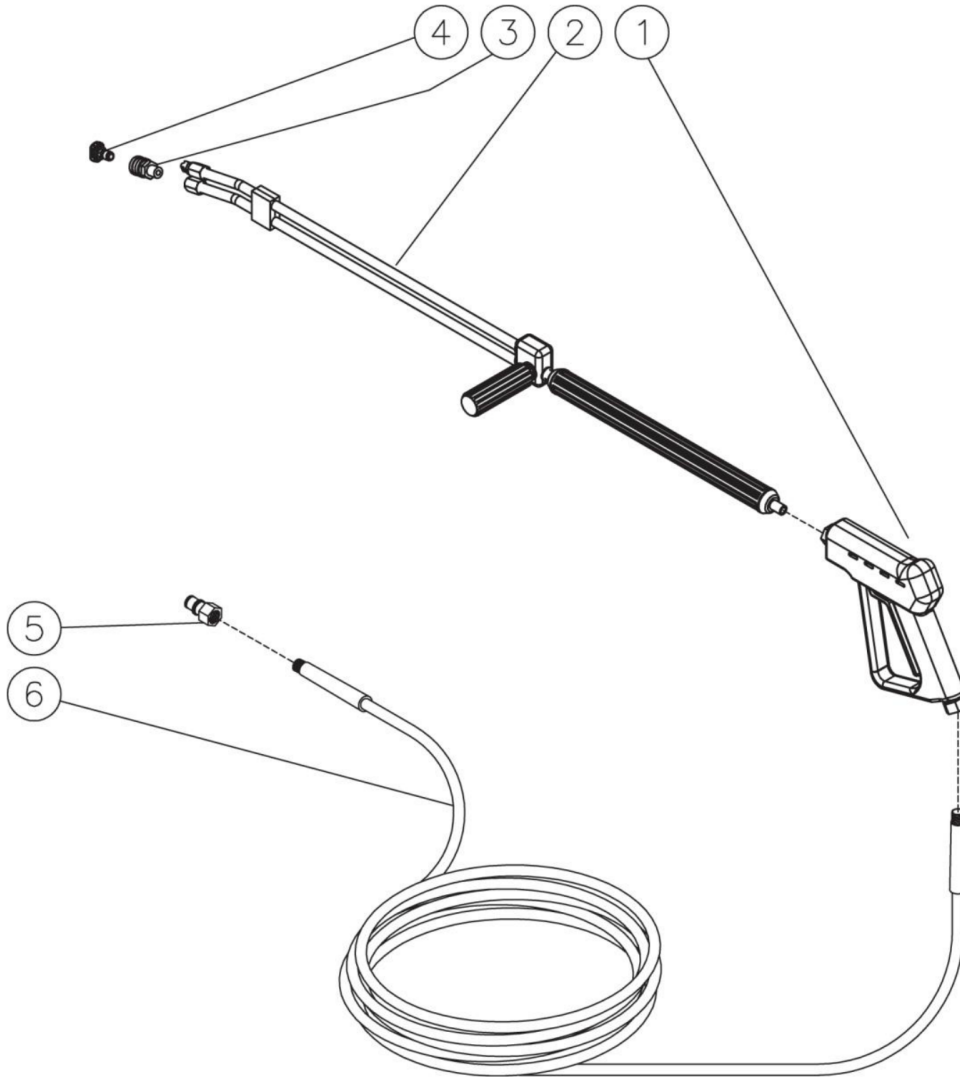
Id	Item #	Description	Quantity
1	22-0171	PRESSURE SWITCH	1
2	N/A	SCREW	4
3	N/A	COVER	1
4	N/A Sep.	O-RING (SEE 70-0306)	1
5	N/A	MICRO SWITCH	1
6	N/A	RETAINER CLIP	1
7	N/A	BODY	1
8	N/A Sep.	O-RING (SEE 70-0306)	2
9	N/A Sep.	BACK-UP RING (SEE 70-0306)	1
10	N/A	PISTON	1
11	N/A	WASHER	1
12	49-0144	SPRING	1
13	N/A	WASHER	1
14	N/A	PLASTIC HOUSING	1
15	N/A Sep.	O-RING (SEE 70-0306)	1
16	N/A	NUT	1

Id	Item #	Description	Quantity
17	N/A	WIRE ASSEMBLY	1
	70-0306	O-RING REPAIR KIT (INC. 4, 8-9, 15)	



HHS-2004-1E8A / HHS-2004-1E8A (sn:0-99999999)

GUN/WAND/HOSE ASSEMBLY



Id	Item #	Description	Quantity
1	27-0066	BOLT	1
2	5-0152A18	BASEPLATE	1
3	27-0118	BOLT	4
4	27-8471	BOLT	4
5	29-0055	LOCKWASHER	4
6	28-0023	FLATWASHER	9
7	5-0153A18	PUMP HAT	1

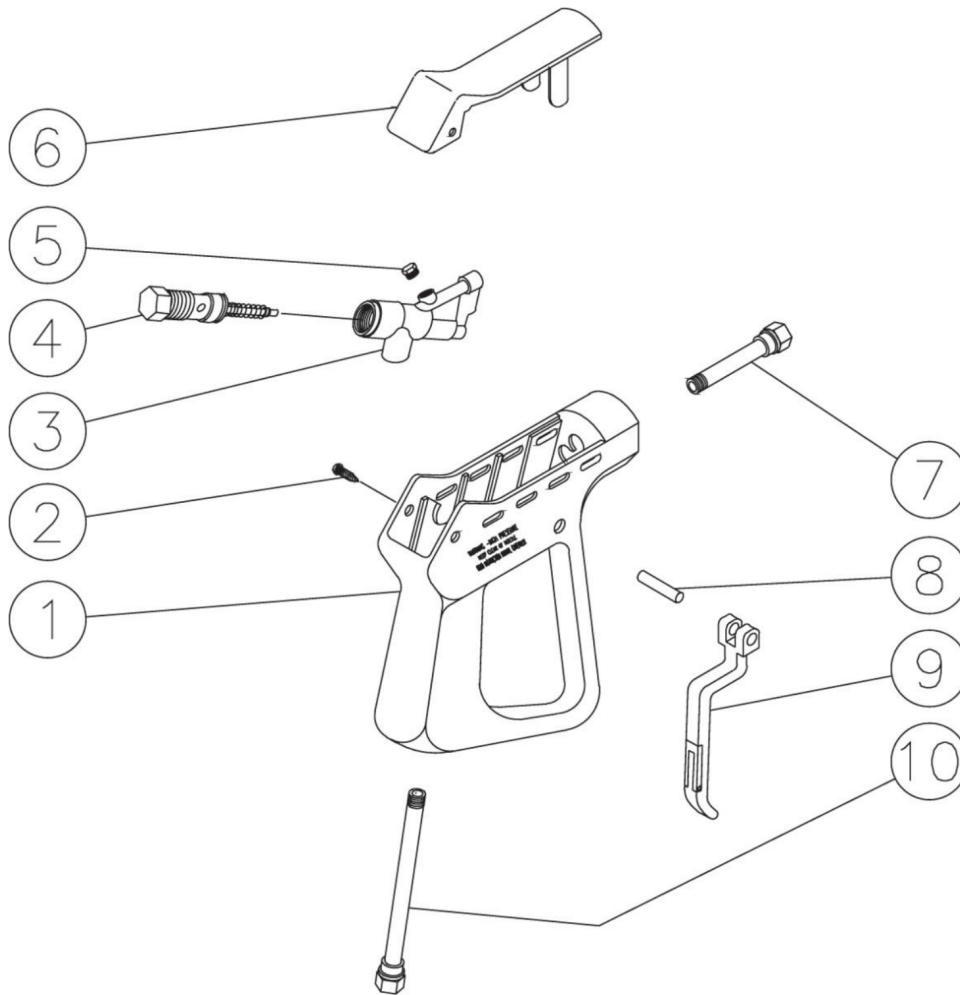
Id	Item #	Description	Quantity
8	30-6025	CLIP NUT	2
9	27-0133	BOLT	2
10	30-0006	HEX NUT	2
11	30-0159	NUT	4
12	3-0005	PUMP W/KEY	1
13	22-0005	HEAT DUMP VALVE	1
14	43-0048	KEY	1
15	10-0066	SHEAVE	1
16	11-0023	BELT	1
17	9-0017	BUSHING	1
18	27-0015	BOLT W/BUSHING	2
19	10-0111	SHEAVE	1
20	27-0067	BOLT	4
21	28-0003	FLATWASHER	4
22	30-0157	NYLOCK	4
23	43-0078	KEY	1
24	2-0120	MOTOR ASSEMBLY	1
25	32-0254	CONDUIT ELBOW	2
26	32-0253	CONDUIT FLEX *(THREE FEET REQUIRED)`	2
27	28-0051	FLATWASHER	2
28	32-0108	LOCKNUT	1
29	24-0002	NIPPLE	1
30	24-0037	SWIVEL	1
31	22-0171	PRESSURE SWITCH	1
32	15-0221	HIGH PRESSURE HOSE ASSEMBLY	1
33	23-0370	NIPPLE	1
34	850-0252	UNLOADER ASSEMBLY	1
35	24-0092	ELBOW	1
36	23-0360	HOSE BARB	4
37	15-0200	HOSE *(THREE FEET REQUIRED)	1
38	23-0389	ELBOW	1
39	23-0361	NIPPLE	1
40	23-0388	STREET TEE	1
41	23-0051	HOSE BARB	1
42	42-0004	CLAMP	1
43	15-0021	DETERGENT HOSE *(THREE FEET REQUIRED)	1

*MUST ORDER IN ONE FOOT LENGTHS.



HHS-2004-1E8A / HHS-2004-1E8A (sn:0-99999999)

GUN ASSEMBLY



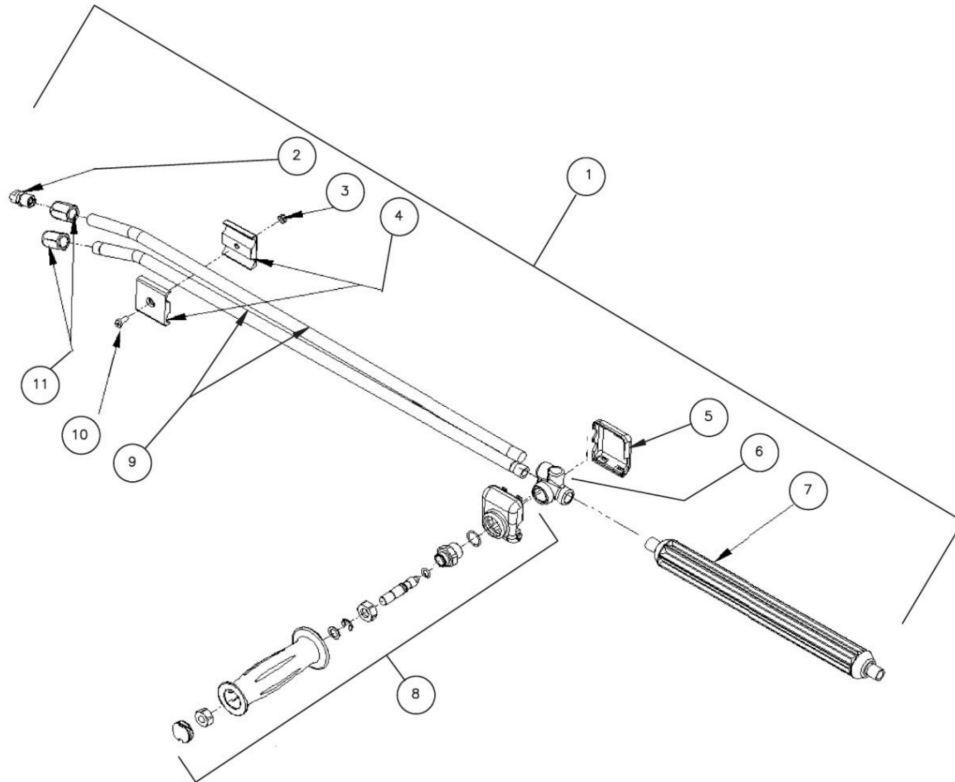
Id	Item #	Description	Quantity
1	16-0008	PLASTIC HOUSING	1
2	27-3230	SCREW	2
3	16-0012	BRASS HOUSING	1
4	70-0055	GUN REPAIR KIT	1
5	39-0024	BRASS PLUG	1
6	16-0009	PLASTIC COVER	1
7	16-0013	PIPE ASSEMBLY	1
8	16-0063	TRIGGER PIN	1
9	16-0010	TRIGGER/SAFETY LOCK-OFF	1

Id	Item #	Description	Quantity
10	16-0016	PIPE ASSEMBLY- INLET	1
	16-0001	COMPLETE GUN ASSEMBLY	1



HHS-2004-1E8A / HHS-2004-1E8A (sn:0-99999999)

DUAL LANCE ASSEMBLY



Id	Item #	Description	Quantity
1	16-0416	DUAL LANCE ASSEMBLY - 36" (INC. 2-11)	1
1	16-0417	DUAL LANCE ASSEMBLY - 48" (INC. 2-11)	1
2	18-0110	DETERGENT NOZZLE	1
3	30-6001	NUT	1
4	16-0420	CLAMP	2
5	N/A Sep.	LOWER VALVE COVER (SEE 16-0416 OR 16-0417)	1
6	N/A Sep.	HOUSING (SEE 16-0416 OR 16-0417)	1
7	16-0419	LANCE	1
8	70-0419	HANDLE REPAIR KIT	1
9	N/A Sep.	LANCE (SEE 16-0416)	2
9	N/A Sep.	LANCE (SEE 16-0417)	2
10	27-8196	SCREW	1

Id	Item #	Description	Quantity
11	24-0280	NOZZLE ADAPTER	2