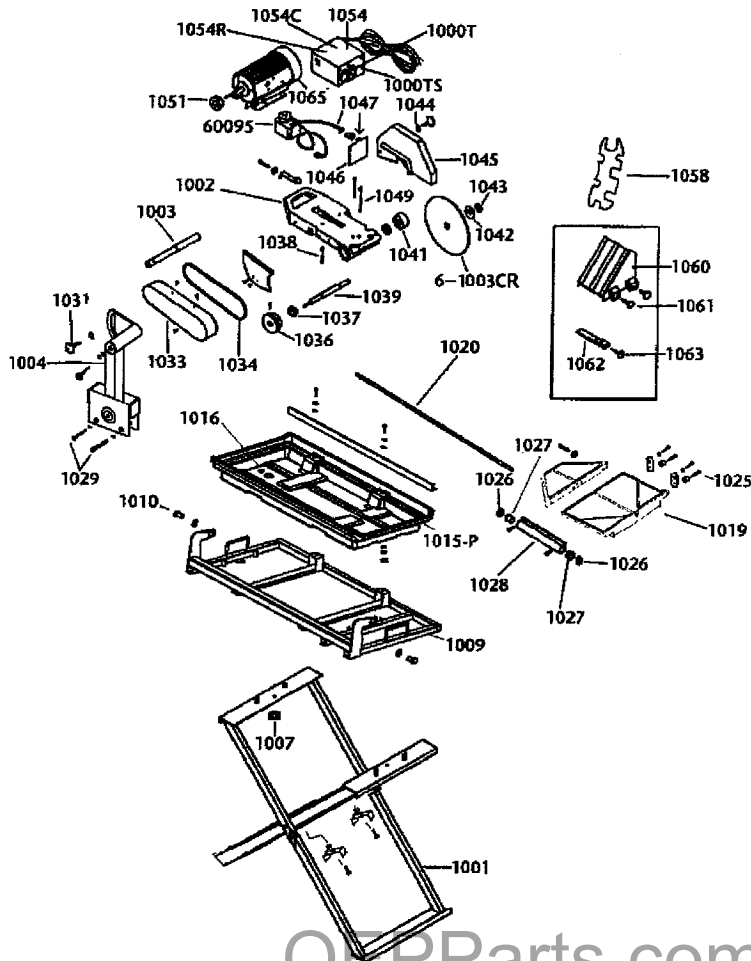


#60020

24" RIP CUT TILE SAW
PARTS LIST



| DESCRIPTION | NO. (620) |
|------------------------------------|-----------|
| Replacement Motor | 0000 |
| Mechanical Switch | 1000T |
| Face Plate for Switch | 1000TS |
| Folding Saw Stand | 1001 |
| Motor Base | 1002 |
| Motor Support Shaft | 1003 |
| Motor Support Arm | 1004 |
| Bolts for Motor (4) (not shown) | 1005 |
| Stand/Frame Attachment Knobs (2) | 1007 |
| Fan (not shown) | 1008 |
| Saw Frame | 1009 |
| Adjustable Screw-Tray | 1010 |
| Water Tray (Plastic) | 1015-P |
| Drain Plug | 1016 |
| Cutting Table | 1019 |
| Rail | 1020 |
| Cutting Table Roller (2) | 1025 |
| Grease Seals (2) | 1026 |
| Guide Tube Align Washers (2) | 1027 |
| Lubricated Guide Tube & Bolts | 1028 |
| Rear Support Post Nuts & Bolts (2) | 1029 |
| Rear Support Post Knob & Washer | 1031 |
| Belt Guard | 1033 |
| "A" Belt | 1034 |
| Blade Shaft Pulley | 1036 |
| Blade Shaft Bearing (2) | 1037 |
| Blade Shaft Lock Pin | 1038 |
| Blade Shaft | 1039 |
| Inner Flange | 1041 |
| Outer Flange | 1042 |
| Shaft Nut | 1043 |
| Blade Guard Knob & Washer | 1044 |
| Blade Guard | 1045 |
| Back Splash Guard | 1046 |
| Attachment Bracket | 1047 |
| Y-Water Feed (not shown) | 1048 |
| Motor Pulley | 1051 |
| Power Reset Button Housing | 1054 |
| Run Capacitor | 1054C |
| Start Capacitor | 1054S |
| Thermal Overload Reset Button | 1054R |
| Wrench | 1058 |
| 45° Miter Block | 1060 |
| Miter Block Adjustment Knob (2) | 1061 |
| Rip Guide | 1062 |
| Rip Guide Adjustment Knob | 1063 |
| Fan Cover | 1065 |
| Blade 10" | 6-1003CR |
| Water Pump | 60095 |

QEPParts.com
888-634-4289
An iBuy Stores Company