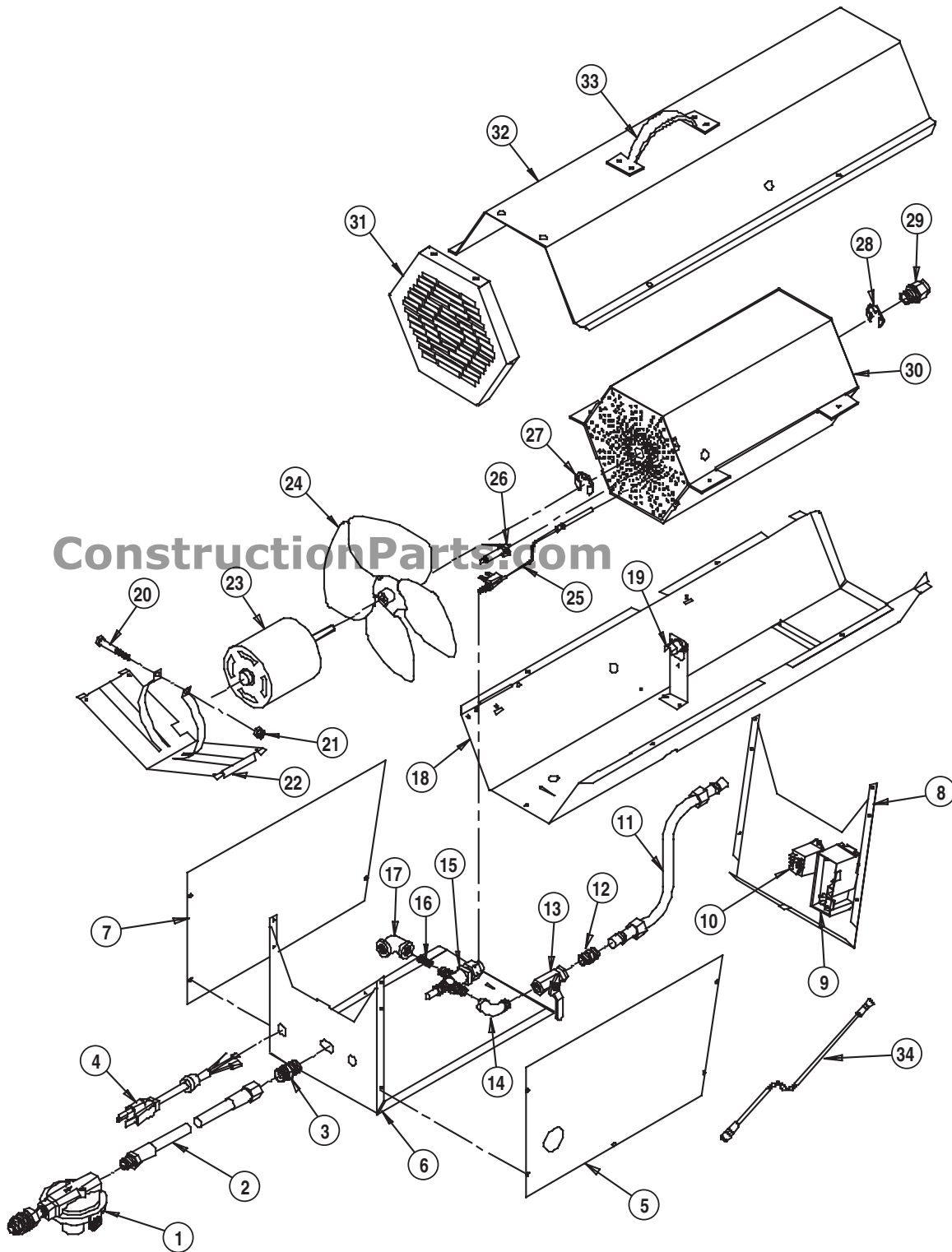


Parts Identification

Tradesman 100 US
Model CP100C

888-634-4289

PARTS SCHEMATIC



ConstructionParts.com

888-634-4289

PARTS LIST

Item	Description	Part Number
1	Regulator, Single Stage	21856
2	Hose, 3/8 in. ID x 10 ft.	21841
3	Adapter, Hose	06654
4	Cord, Power	09139
5	Panel, Left with Marking	21795
6	Case, Back	21794
7	Panel, Right	21796
8	Case, Front	21798
9	Control, Ignition	21813
10	Relay with Clips and Screws	21816
11	Tube, Manifold with Nuts and Sleeves	21805
12	Union	21809
13	Valve, Heat Adjustment	21806
14	Ell, 1/4 in.	01425
15	Valve, Safety Control with Screen	21808
16	Screen	20391
17	Elbow	21807
18	Case, Barrel Bottom	21794
19	Switch, Backflash	21855
20	Bolt	03140
21	Nut	04955
22	Mount, Motor	21828
23	Motor	21830
24	Fan	21829
25	Thermocouple with Retaining Sleeve	21811
25A	Sleeve, Thermocouple Retaining (Not Illustrated)	21812
26	Igniter	21803
27	Ring, Bowed	08460
28	Ring, Flat	05847
29	Orifice with Rings	21802
30	Chamber, Heat with Igniter, Orifice and Burner Plate	21799
31	Guard, Inlet	21792
32	Case, Top	21793
33	Handle with Screws	03941
34	Ignition Lead	21826