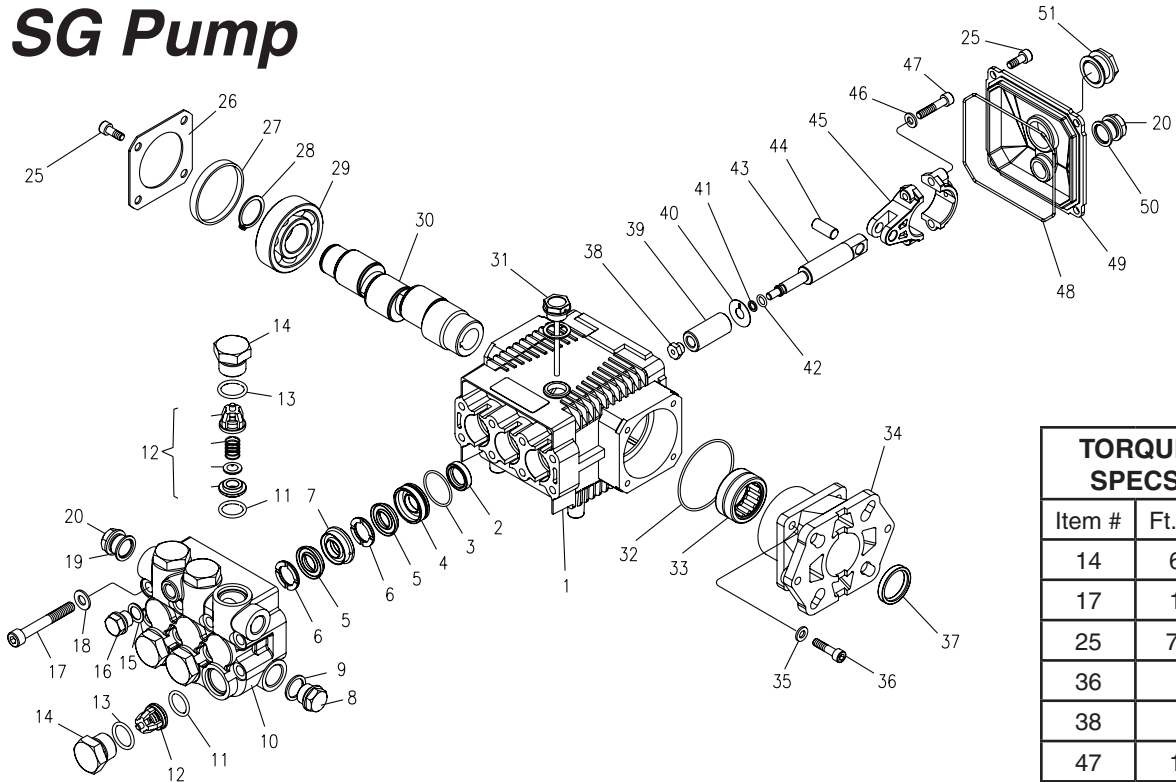




SG Pump

5-1451 SG2530G
5-1454 SG3030G



| TORQUE SPECS | |
|--------------|---------|
| Item # | Ft.-lbs |
| 14 | 65 |
| 17 | 18 |
| 25 | 7.6 |
| 36 | 8 |
| 38 | 7 |
| 47 | 13 |

PARTS LIST

| ITEM | PART NO. | DESCRIPTION | QTY | ITEM | PART NO. | DESCRIPTION | QTY | ITEM | PART NO. | DESCRIPTION | QTY |
|------|---------------|------------------------|-----|------|-----------|-----------------------|-----|------|---------------|------------------------|-----|
| 1 | 70-020292 | Crankcase | 1 | 18 | 70-140001 | Washer | 8 | 37 | 70-000104 | Crankshaft Seal | 1 |
| 2* | See Kit Below | Plunger Oil Seal | 3 | 19 | 70-060306 | Copper Washer 3/8" | 1 | 38* | 70-030211 | Plunger Nut | 3 |
| 3* | 70-060181 | O-Ring Ø1.78 x 28.30 | 3 | 20 | 70-160117 | Brass Plug 3/8" | 2 | 39* | See Kit Below | Plunger, 15mm | 3 |
| 4* | 70-120120 | Pressure Ring, 15mm | 3 | 25 | 70-180112 | Hexagonal Screw | 9 | 40* | 70-140027 | Copper Spacer | 3 |
| 5* | See Kit Below | "V" Seal, 15mm | 6 | 26 | 70-020318 | Bearing Cover | 1 | 41* | 70-060130 | O-Ring Ø1.78x5.28 | 3 |
| 6* | 70-030048 | Support Ring 15mm | 6 | 27 | 70-020502 | Seal Bearing | 1 | 42* | 70-000913 | Teflon Ring | 3 |
| 7* | 70-030049 | Intermediate Ring 15mm | 3 | 28 | 70-150003 | Snap Ring | 1 | 43 | 70-000320 | Plunger Rod | 3 |
| 8 | 70-160120 | Brass Plug, 1/2" | 1 | 29 | 70-021300 | Ball Bearing | 1 | 44 | 70-150204 | Connecting Rod Pin | 3 |
| 9 | 70-060307 | Copper Washer 1/2" | 1 | 30 | 70-000498 | Crankshaft (2530G) | 1 | 45 | 70-010008 | Connecting Rod | 3 |
| 10 | 70-160228 | Manifold Housing | 1 | | 70-000499 | Crankshaft (3030G) | 1 | 46 | 70-140102 | Spring Washer | 6 |
| 11* | 70-060155 | O-Ring Ø1.78 x 15.54 | 6 | 31 | 70-160012 | Oil Dip Stick | 1 | 47 | 70-180132 | Connecting Rod Screw 6 | 6 |
| 12* | See Kit Below | Valve Assembly | 6 | 32 | 70-060183 | O-Ring 3.53 x 55.56 | 1 | 48 | 70-060104 | O-Ring 2.62 x 107.62 | 1 |
| 13* | 70-060122 | O-Ring Ø2.62 x 18.77 | 6 | 33 | 70-020011 | Needle Roller Bearing | 1 | 49 | 70-020352 | Crankcase Cover | 1 |
| 14 | 70-160147 | Valve Plug | 6 | 34 | 70-050096 | Engine Flange | 1 | 50 | 70-060302 | Gasket, G3/8 | 1 |
| 15 | 70-060308 | Washer, Copper | 1 | 35 | 70-140002 | Spring Washer | 4 | 51 | 70-070005 | Sightglass G3/8 | 1 |
| 16 | 70-160121 | Brass Plug G1/4 | 1 | 36 | 70-180126 | Flange Screw | 4 | | | | |
| 17 | 70-180118 | Manifold Stud Bolt | 8 | | | | | | | | |

* Part available in kit (See below)

REPAIR KITS

| REPAIR KIT NUMBER | 70-261408 | 70-261409 | 70-261404 | 70-260028 | 70-260826 |
|--------------------------------------|--------------------|-----------------------------|--------------------|----------------|-------------------|
| KIT DESCRIPTION | Plunger Seal 15 mm | Complete Seal Packing 15 mm | Plunger 15 mm | Complete Valve | Plunger Oil Seals |
| ITEM NUMBERS INCLUDED | 3, 5, 6 | 2, 3, 4, 5, 6, 7 | 38, 39, 40, 41, 42 | 11, 12, 13 | 2 |
| NUMBER OF CYLINDERS KIT WILL SERVICE | 3 | 1 | 1 | 6 | 3 |