

PARTS MANUAL



MODEL HTNS5S-2 RIDE-ON POWER TROWEL (SUBARU EH722 EFI GASOLINE ENGINE)

Revision #0 (03/17/17)

Original Version

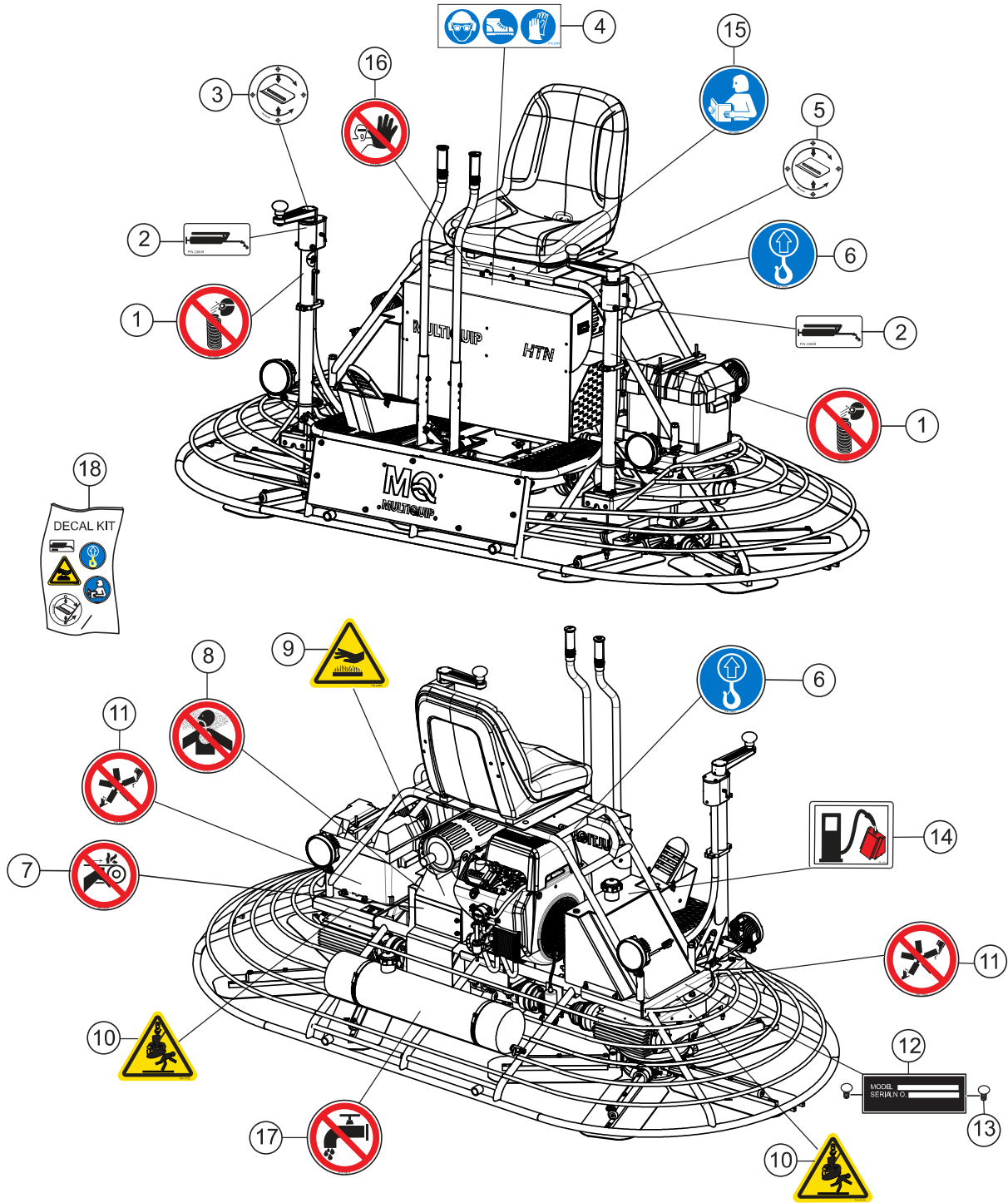
To find the latest revision of this
publication, visit our website at:
www.multiquip.com



THIS MANUAL MUST ACCOMPANY THE EQUIPMENT AT ALL TIMES.

PN: 24444

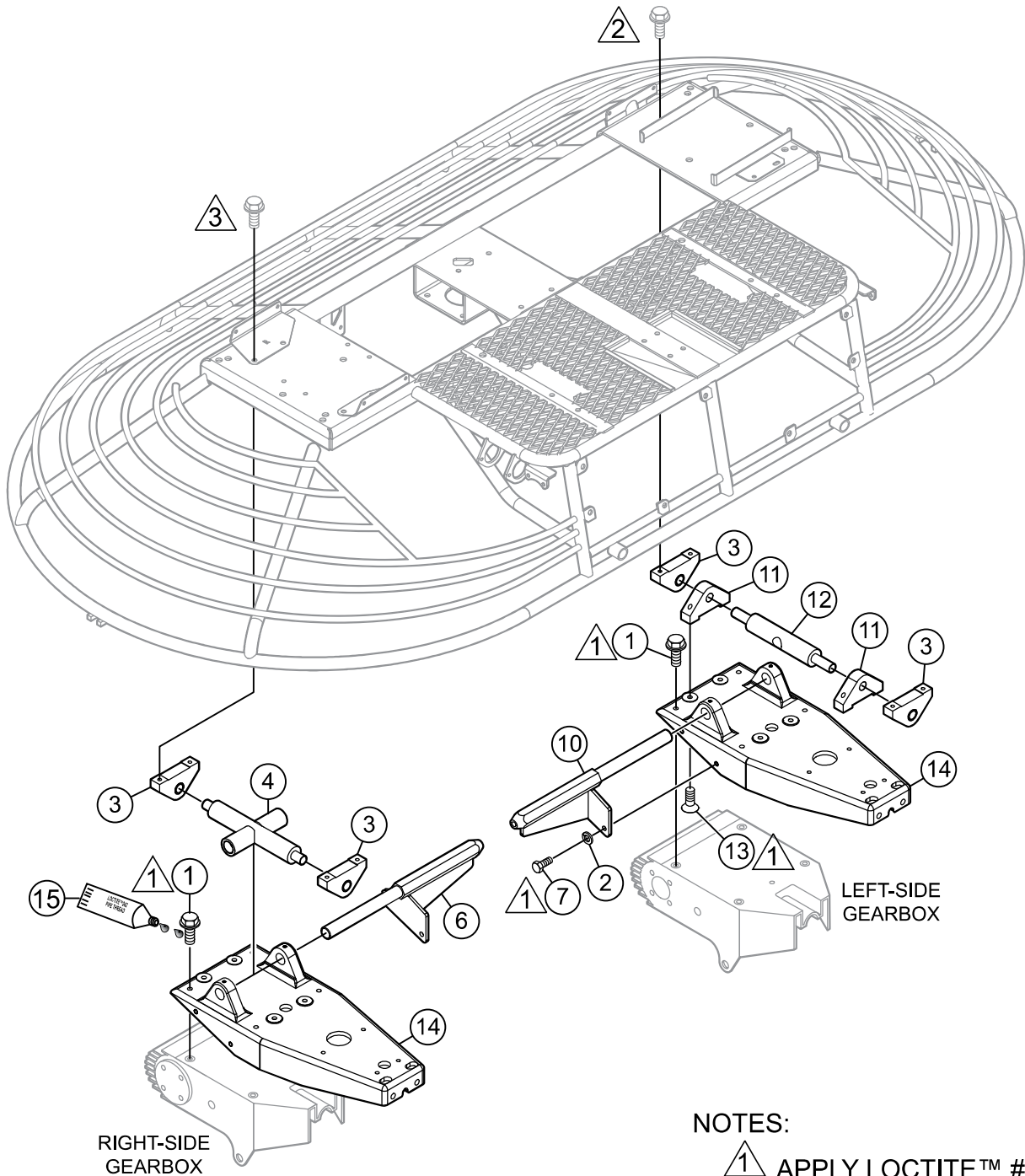
NAMEPLATE AND DECALS ASSY.



NAMEPLATE AND DECALS ASSY.

<u>NO.</u>	<u>PART NO.</u>	<u>PART NAME</u>	<u>QTY.</u>	<u>REMARKS</u>
1#	23804	DECAL ISO, DO NOT DISASSEMBLE HAZARD CYL. 2.00" DIA.	2	
2#	23809	DECAL, LUBRICATION POINT 2.0" X 1.0"	2	
3#	24402	DECAL, PITCH, RH 2.0" DIA.	1	
4#	36099	DECAL ISO, PROTECTIVE CLOTHING 3.50" X 1.13"	1	
5#	24403	DECAL, PITCH, LH 2.00" DIA.	1	
6#	23805	DECAL ISO, LIFT LOCATION 1.0" DIA.	2	
7#	23704	DECAL ISO, GUARD HAZARD 2.00" DIA.	1	
8#	23810	DECAL ISO, INHALATION HAZARD 2.00" DIA.	1	
9#	23808	DECAL ISO, HOT SURFACE HAZARD 2.00" DIA.	1	
10#	23700	DECAL ISO, LIFTING/CRUSH 2.4" X 2.0"	2	
11#	23698	DECAL ISO, ROTATING BLADE HAZARD 2.00" DIA.	2	
12		DECAL, SERIAL PLATE.....	1.....	CONTACT MQ PARTS DEPT.
13	4014	SCREW, 2-3/16" P-K TYPE U-DRIVE	2	
14#	23812	DECAL, FUEL GASOLINE	1	
15#	23699	DECAL ISO, READ MANUAL 2.00" DIA.	1	
16#	23701	DECAL ISO, ASK FOR TRAINING 2.00" DIA.	1	
17#	23811	DECAL ISO, NO WATER WARNING 2.00" DIA.	1	
18	24348	DECAL, KIT.....	1.....	INCLUDES ITEMS W/#

PIVOT ASSY.



NOTES:

① APPLY LOCTITE™ #242

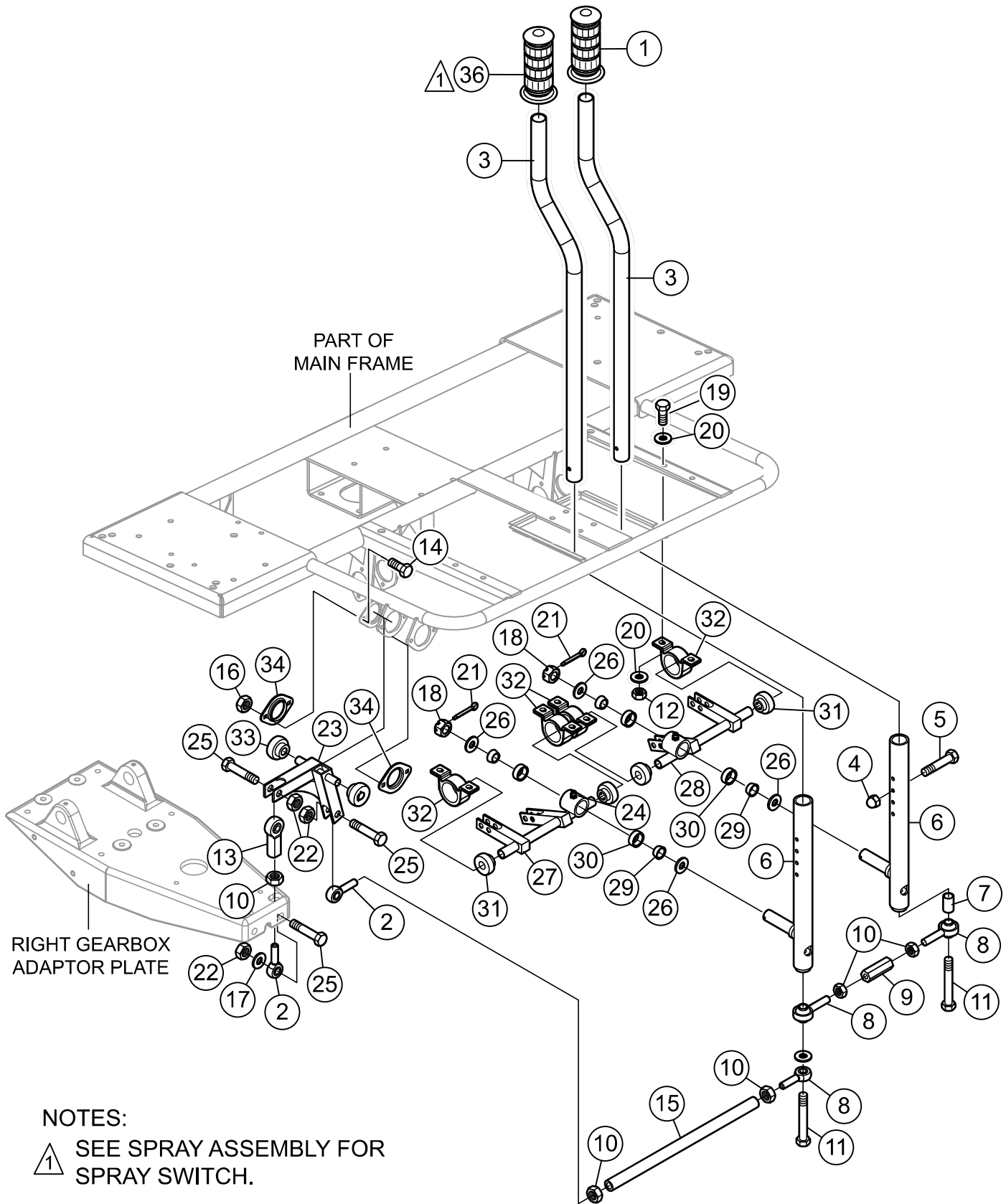
② SEE BATTERY ASSY.

③ SEE FUEL ASSY.

PIVOT ASSY.

<u>NO.</u>	<u>PART NO.</u>	<u>PART NAME</u>	<u>QTY.</u>	<u>REMARKS</u>
1	22106	SCREW, HHFS 3/8"-16 X 1.25 ZINC.....	11	REPLACES P/N 1023
2	0166 A	WASHER, LOCK, 3/8" MED.	4	
3	2304	ROCKER BLOCK WITH BUSHING	4	
4	2146	PIVOT, DOUBLE ROCKER	1	
6	12412	ARM, PIVOT RIGHT	1	
7	4196	SCREW, HHC 3/8"-16 X 3/4"	4	
10	12413	ARM, PIVOT LEFT	1	
11	2312	ROCKER BLOCK, WITH SET	2	
12	2145	PIVOT JOINT, SINGLE ROCKER	1	
13	1394	SCREW, FHSC 3/8"-16 X 1	4	
14	11248	PLATE, GEARBOX ADAPTOR MACHINED	2	
15	1477	LOCTITE™ #242 BLUE, .05 CC BOTTLE	1	

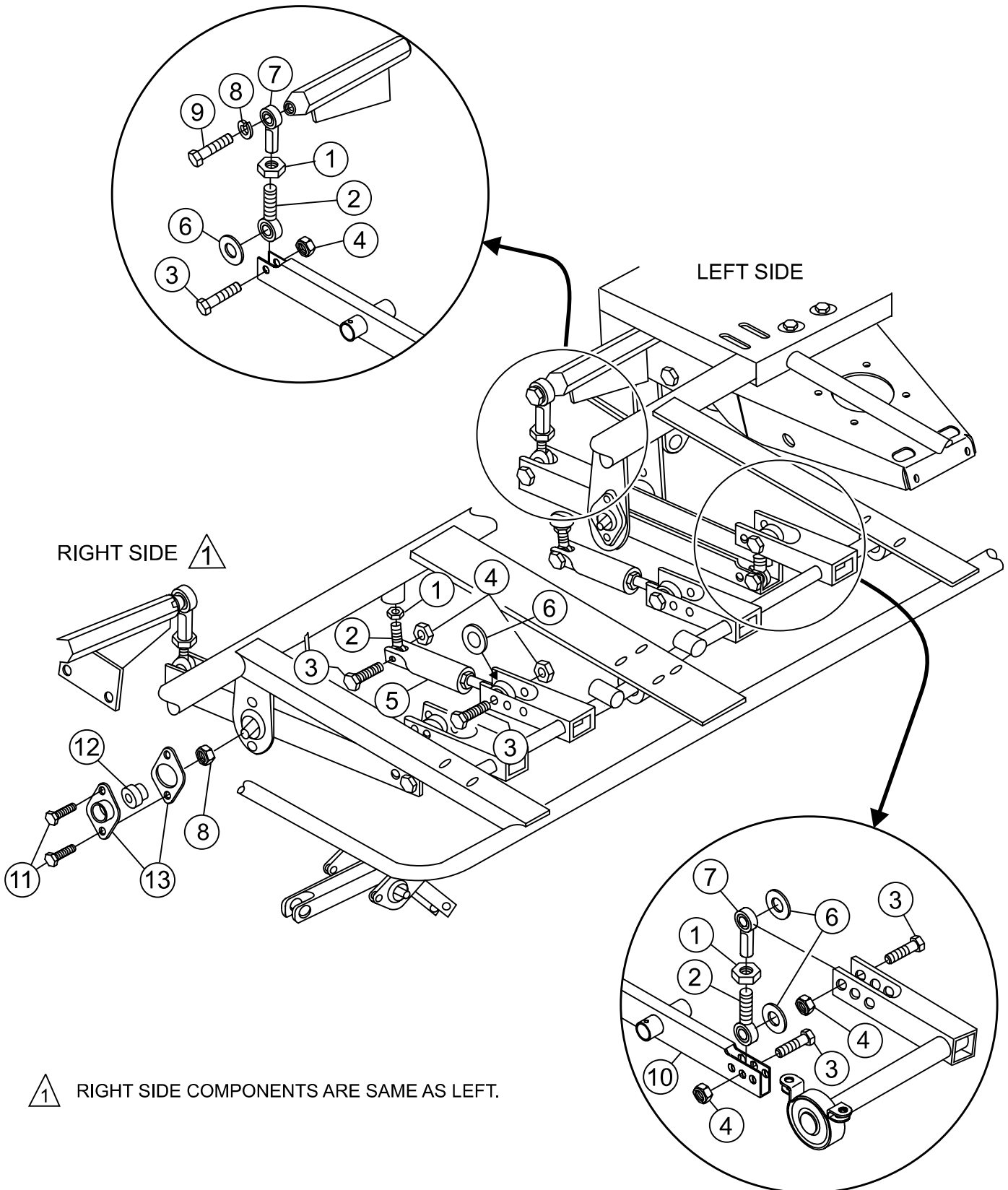
STEERING HANDLES ASSY. (R/L)



STEERING HANDLES ASSY. (R/L)

<u>NO.</u>	<u>PART NO.</u>	<u>PART NAME</u>	<u>QTY.</u>	<u>REMARKS</u>
1	22762	GRIP, HANDLE	1	
2	11142	ROD END, 1/2"-20 MALE RH	2	
3	24552	TUBE, UPPER HANDLE	2	
4	2197	NUT, ACORN, 1/4"-20	2	
5	5277	SCREW HHC 1/4"-20 X 1-1/2"	2	
6	24551	LOWER HANDLE ASSEMBLY	2	
7	22405	SPACER, ROD END	1	
8	21944	ROD END, 1/2"-20 M RH W/CUSTOM BALL	3	
9	22404	NUT, COUPLING 1/2"-20 X 2.0 X .75 HEX	1	
10	11146	NUT, HEX JAM 1/2"-20	5	
11	11145	SCREW, SHC 1/2"-20 X 3	2	
12	10133	NUT, NYLOC 3/8"-16	8	
13	11143	ROD END, 1/2"-20 FEMALE RH	1	
14	0131 A	SCREW HHC 1/4"-20 X 3/4"	4	
15	11205	ROD, L/R MOTION	1	
16	10024	NUT, NYLOC 1/4"-20	4	
17	0447	WASHER, FLAT 1/2" SAE	1	
18	12426	NUT, SLOTTED 3/4"-16	2	
19	1023	SCREW, HHC 3/8"-16 X 1-1/4" GRD 5	8	
20	10136	WASHER, FLAT SAE 3/8	16	
21	2219	PIN, COTTER 1/8" X 1-1/2"	2	
22	10176	NUT, NYLOC 1/2"-13	3	
23	12193	LEVER, L/R CONTROL	1	
24	2621	FITTING, GREASE ZERK STR 1/4"-28	2	
25	6159 A	SCREW, HHC 1/2"-13 X 2	3	
26	8151	WASHER, FLAT SAE 3/4"	4	
27	12374	STEERING CONTROL RS ASSIST	1	
28	12375	STEERING CONTROL LS ASSIST	1	
29	0735	BEARING CUP, TIMKEN #A6157	4	
30	0735 A	BEARING CONE TIMKEN #A6075	4	
31	11149	BEARING	4	
32	11138	BEARING HOUSING, P-BLOCK	4	
33	11150	BEARING	2	
34	11139	HOUSING SET, BEARING FLANGE	2	
36	23666	GRIP, HANDLE	1	

STEERING ASSIST CONTROL ASSY. (R/L)

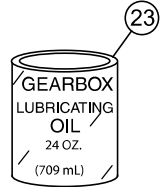
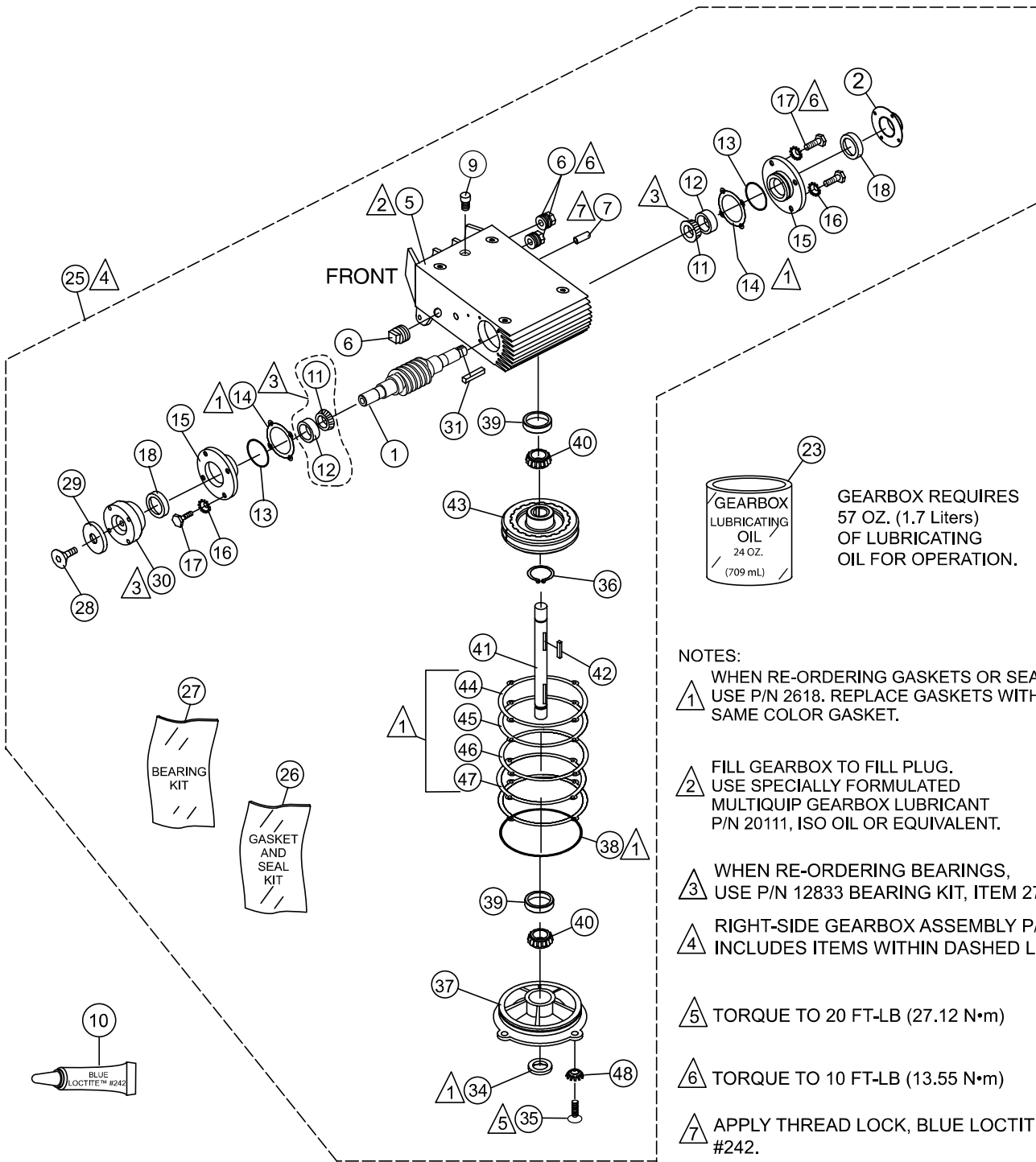


△ RIGHT SIDE COMPONENTS ARE SAME AS LEFT.

STEERING ASSIST CONTROL ASSY. (R/L)

<u>NO.</u>	<u>PART NO.</u>	<u>PART NAME</u>	<u>QTY.</u>	<u>REMARKS</u>
1	11146	NUT, HEX JAM 1/2"-20 PLTD.	6	
2	11142	ROD END, 1/2"-20 MALE RH	6	
3	6159 A	SCREW, HHC 1/2"-13 X 2	10	
4	10176	NUT, NYLOC 1/2"-13	10	
5	12200	STEERING ASSIST ASSEMBLY	2	
6	0447	WASHER, FLAT 1/2" SAE	8	
7	11143	ROD END, 1/2"-20 FEMALE RH	4	
8	10024	NUT, NYLOC 1/4"-20	8	
9	22135	SCREW, HHC 1/2"-20 X 1-1/2"	2	
10	11127	LEVER, STEERING CONTROL	2	
11	0131 A	SCREW, HHC 1/4"-20 X 3/4"	8	
12	11150	BEARING	4	
13	11139	HOUSING SET, BEARING FLANGE	4	

GEARBOX ASSY. (RIGHT)



GEARBOX REQUIRES
57 OZ. (1.7 Liters)
OF LUBRICATING
OIL FOR OPERATION.

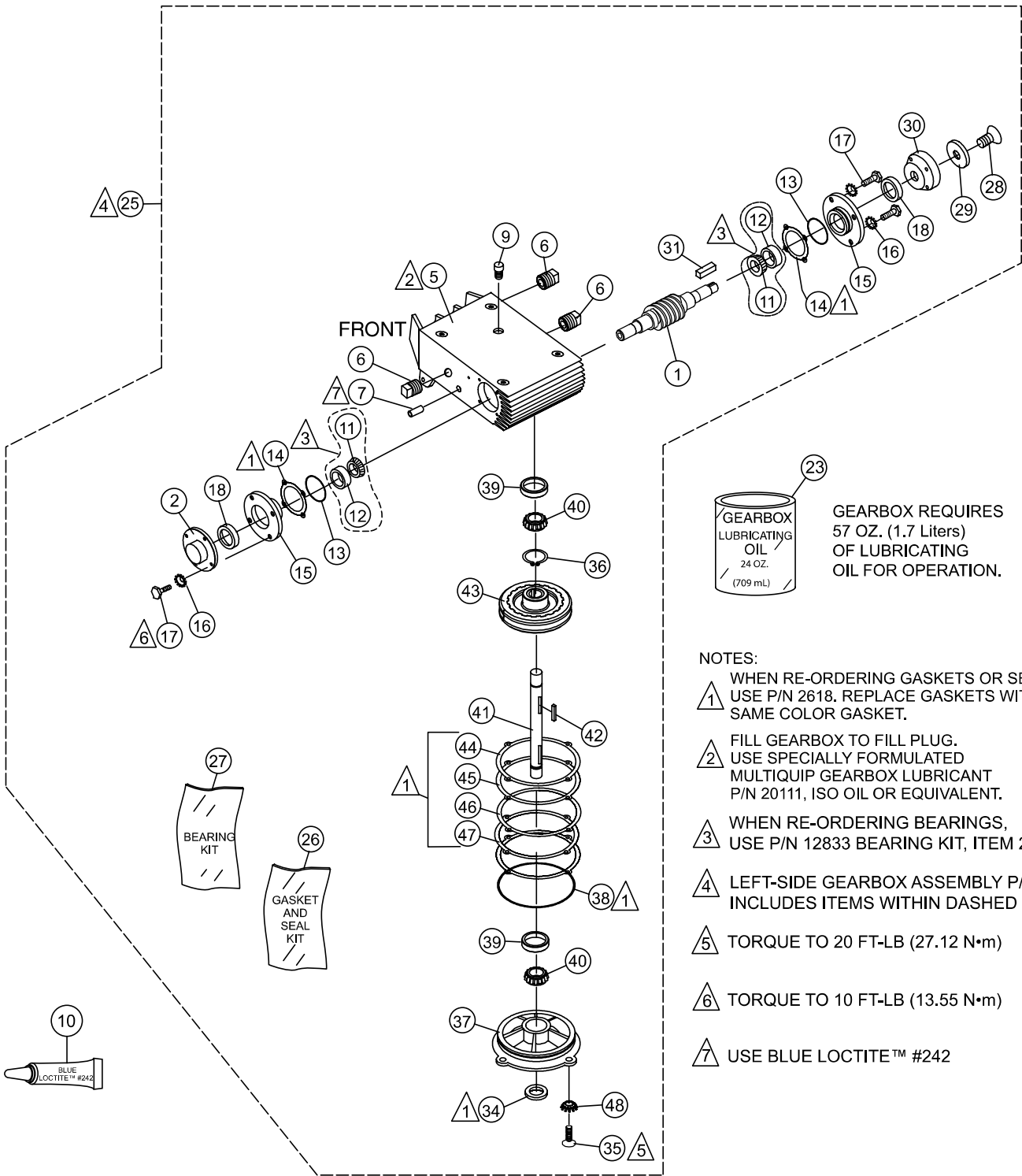
NOTES:

- 1 WHEN RE-ORDERING GASKETS OR SEALS USE P/N 2618. REPLACE GASKETS WITH SAME COLOR GASKET.
- 2 FILL GEARBOX TO FILL PLUG. USE SPECIALLY FORMULATED MULTIQUIP GEARBOX LUBRICANT P/N 20111, ISO OIL OR EQUIVALENT.
- 3 WHEN RE-ORDERING BEARINGS, USE P/N 12833 BEARING KIT, ITEM 27.
- 4 RIGHT-SIDE GEARBOX ASSEMBLY P/N 24329 INCLUDES ITEMS WITHIN DASHED LINES.
- 5 TORQUE TO 20 FT-LB (27.12 N•m)
- 6 TORQUE TO 10 FT-LB (13.55 N•m)
- 7 APPLY THREAD LOCK, BLUE LOCTITE™ #242.

GEARBOX ASSY. (RIGHT)

<u>NO.</u>	<u>PART NO.</u>	<u>PART NAME</u>	<u>QTY.</u>	<u>REMARKS</u>
1%	24318	WORM SHAFT, RIGHT HAND 2" PD	1	
2%	24374	COVER, GEARBOX	1	
5%	12765	GEAR BOX HD RIDER 1-1/4" SHAFT.....	1.....	HOUSING ONLY
6%	0121 A	FITTING, PLUG 3/8" MP SQUARE HEAD	3	
7%	10450	SCREW, SHS 10-32 X 1/4"	2	
9%	1132	VENT, AIR	1	
10	1477	LOCTITE™ BLUE, #242, 0.5 CC BOTTLE	1	
11@%	9045	BEARING, CONE TIMKEN #1986	2	
12@%	0232 A	BEARING, CUP TIMKEN #1932	2	
13+%	2309	O-RING, 2-13/16" VINTON	2	
14+%		GASKET, RED	1.....	SOLD AS KIT ONLY
15%	9047	FLANGE, COUNTERSHAFT	2.....	REPLACES P/N 2307
16%	10031	WASHER, EXT. SHKP, 1/4	8	
17%	2295	SCREW, HHC 1/4"-20 X 7/8"	8	
18%	12909	SEAL, OIL, NATIONAL #471689V	2	
23%	60073	OIL, GEAR LUBE, ISO GRADE 460	3	
25	24329	GEAR BOX ASSY., COMPLETE RS	1.....	INCLUDES ITEMS W/%
26%	2618	GASKET KIT.....	1.....	INCLUDES ITEMS W/+
27%	12833	BEARING KIT	1.....	INCLUDES ITEMS W/@
28%	1313	SCREW, FHSC 3/8"-24 X 3/4"	1	
29%	9120	RETAINER, DRIVEN PULLEY	1	
30%	2048	COUPLER - 7/8" ID.	1	
31%	2323	KEY, 1/4" X 1/4" X 13/16"	1	
34+%	12769	SEAL, 1-1/4" DIA. NAT # 471766V	1	
35%	1146	SCREW, FHS 5/16"-18 X 1"	4	
36%	12770	RING, SNAP	1	
37%	12766	COVER, HD GEARBOX 1-1/4" SHAFT	1	
38+%	9038	O-RING, A - 264 VITON	1	
39%	12767	BEARING, CUP, TIMKEN #15245	2	
40%	12768	BEARING, CONE TIMKEN #15126	2	
41%	22349	SHAFT, OUTPUT Ø1.251 X 9.00	1	
42%	9192	KEY, SQ RN .312 X 2.00	1	
43%	12772	GEAR, WORM RH. HT 1-1/4"	1	
44+%		GASKET, RED	1.....	SOLD AS KIT ONLY
45+%		GASKET, GREEN.....	1.....	SOLD AS KIT ONLY
46+%		GASKET, BLUE	1.....	SOLD AS KIT ONLY
47+%		GASKET, BROWN	1.....	SOLD AS KIT ONLY
48%	10235	WASHER, LOCK 5/16"	4	

GEARBOX ASSY. (LEFT)



23
 GEARBOX
 LUBRICATING
 OIL
 24 OZ.
 (709 mL)

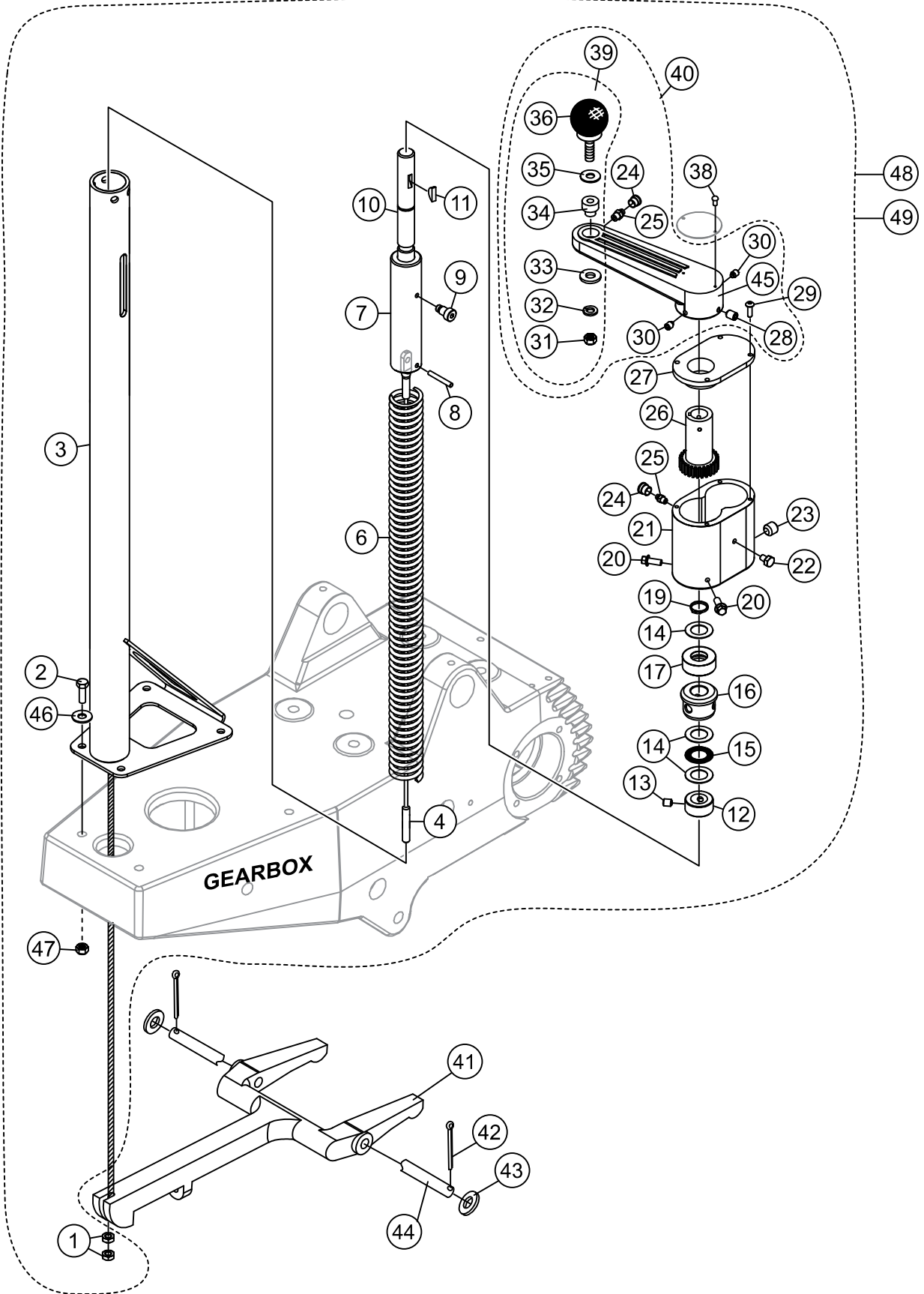
GEARBOX REQUIRES
 57 OZ. (1.7 Liters)
 OF LUBRICATING
 OIL FOR OPERATION.

- NOTES:
- 1 WHEN RE-ORDERING GASKETS OR SEALS USE P/N 2618. REPLACE GASKETS WITH SAME COLOR GASKET.
 - 2 FILL GEARBOX TO FILL PLUG. USE SPECIALLY FORMULATED MULTIQUIP GEARBOX LUBRICANT P/N 20111, ISO OIL OR EQUIVALENT.
 - 3 WHEN RE-ORDERING BEARINGS, USE P/N 12833 BEARING KIT, ITEM 27
 - 4 LEFT-SIDE GEARBOX ASSEMBLY P/N 24330 INCLUDES ITEMS WITHIN DASHED LINES.
 - 5 TORQUE TO 20 FT-LB (27.12 N•m)
 - 6 TORQUE TO 10 FT-LB (13.55 N•m)
 - 7 USE BLUE LOCTITE™ #242

GEARBOX ASSY. (LEFT)

<u>NO.</u>	<u>PART NO.</u>	<u>PART NAME</u>	<u>QTY.</u>	<u>REMARKS</u>
1%	24317	WORM SHAFT, LEFT HAND 2" PD	1	
2%	24374	COVER, GEARBOX	1	
5%	12765	GEAR BOX HD RIDER 1-1/4" SHAFT.....	1	HOUSING ONLY
6%	0121 A	FITTING, PLUG 3/8" MP SQUARE HEAD	3	
7%	10450	SCREW, SHS 10-32 X 1/4"	2	
8%	12907	LEFT HAND WORM	1	
9%	1132	VENT, AIR	1	
10	1477	LOCTITE™ BLUE, #242, 0.5 CC BOTTLE	1	
11@%	9045	BEARING, CONE TIMKEN #1986	2	
12@%	0232 A	BEARING, CUP, TIMKEN #1932	2	
13+%	2309	O-RING, 2-13/16" VINTON	2	
14+%		GASKET, RED	1	SOLD AS KIT ONLY
15%	9047	FLANGE, COUNTERSHAFT	2	REPLACES P/N 2307
16%	10031	WASHER, EXT. SHKP 1/4"	8	
17%	2295	SCREW, HHC 1/4"-20 X 7/8"	8	
18%	12909	SEAL, OIL, NATIONAL #471689V	2	
23%	60073	OIL, GEAR LUBE, ISO GRADE 460	3	
25	24330	GEAR BOX ASSY., COMPLETE LS	1	INCLUDES ITEMS W/%
26	2618	GASKET KIT	1	INCLUDES ITEMS W/+
27%	12833	BEARING KIT	1	INCLUDES ITEMS W/@
28%	1313	SCREW, FHSC 3/8"-24 X 3/4"	1	
29%	9120	RETAINER, DRIVEN PULLEY	1	
30%	2048	COUPLER - 7/8" ID.	1	
31%	2323	KEY, 1/4" SQ. X 13/16"	1	
32%	10450	SCREW, SHS 10-32 X 1/4"	1	
33%	1139	KEY, WOODRUFF #21 HARDENED	1	
34+%	12769	SEAL, 1-1/4" DIA. NAT # 471766V	1	
35%	1146	SCREW, FHS 5/16"-18 X 3/4"	4	
36%	12770	RING, SNAP	1	
37%	12766	COVER, HD GEARBOX, 1-1/4" SHAFT	1	
38+%	9038	O-RING, SIZE 2-264 VITON	1	
39%	12767	BEARING, CUP, TIMKEN #15245	2	
40%	12768	BEARING, CONE, TIMKEN #15126	2	
41%	22349	SHAFT, OUTPUT Ø1.251 X 9.00	1	
42%	9192	KEY, SQ RN .312 X 2.00	1	
43%	12771	GEAR, LH WORM GEAR, HT 1-1/4"	1	
44+%		GASKET, RED	1	SOLD AS KIT ONLY
45+%		GASKET, GREEN	1	SOLD AS KIT ONLY
46+%		GASKET, BLUE	1	SOLD AS KIT ONLY
47+%		GASKET, BROWN	1	SOLD AS KIT ONLY
48%	10235	WASHER, LOCK 5/16"	4	

RH-LH PITCH CONTROL TOWER ASSY.



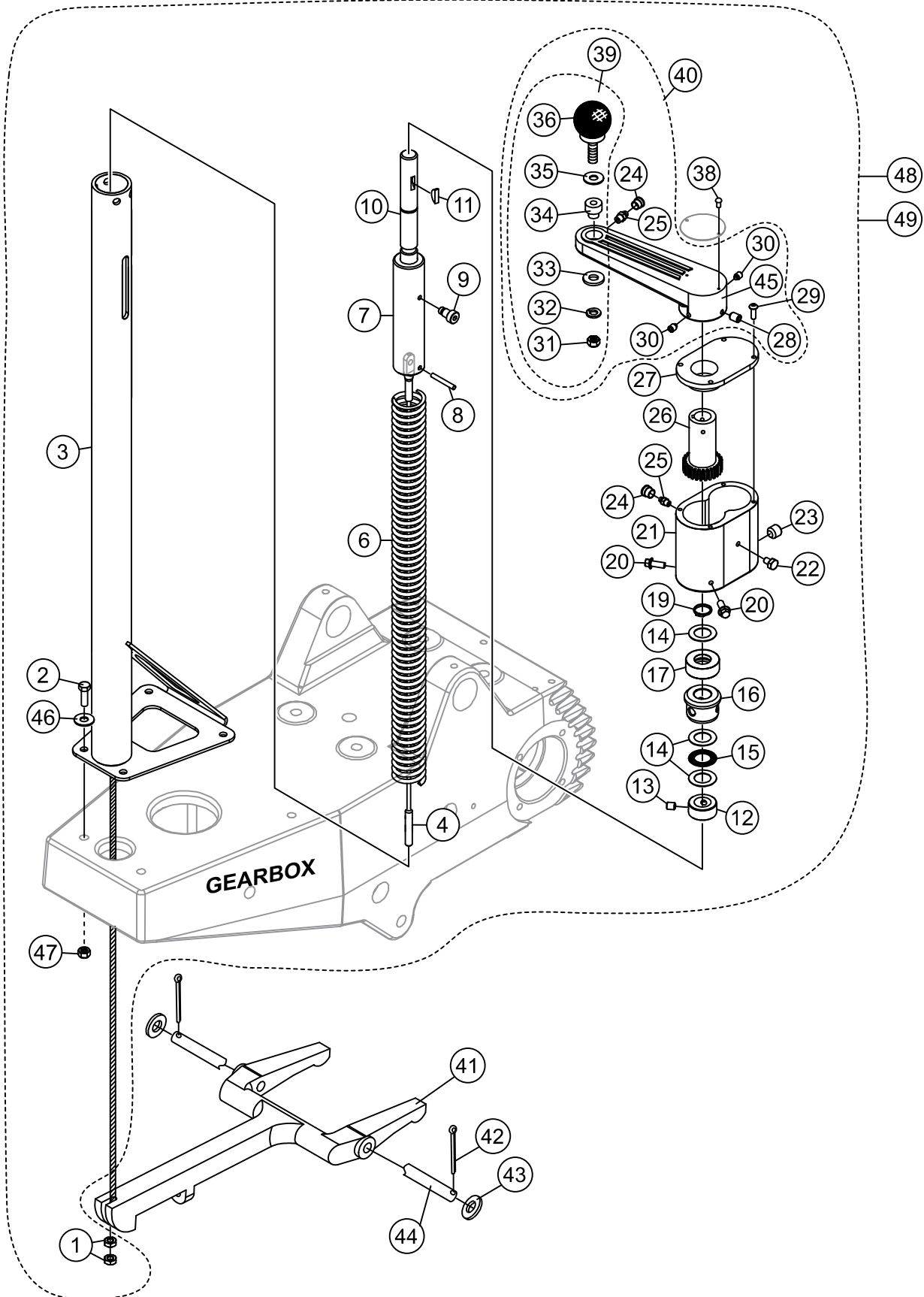
RH-LH PITCH CONTROL TOWER ASSY.

<u>NO.</u>	<u>PART NO.</u>	<u>PART NAME</u>	<u>QTY.</u>	<u>REMARKS</u>
1\$#	1116	NUT, BRASS JAM 5/16"-18	2	
2\$#	36720	SCREW, HHF 5/16"-18 X 3/4" GRD 5	4	
3\$	24442	TOWER, PITCH CONTROL	1	RIGHT-SIDE
3#	24439	TOWER, PITCH CONTROL	1	LEFT-SIDE
4\$#	12460	CABLE, PITCH CONTROL	1	
6\$#	2156	SPRING, HANDLE BALANCE COIL	1	
7\$	10721	SLIDE BLOCK, PITCH CONTROL	1	RIGHT-SIDE
7#	10722	SLIDE BLOCK, PITCH CONTROL	1	LEFT-SIDE
8\$#	1729	PIN, ROLL 3/16" X 1-1/4"	1	
9\$#	24112	PIN, ADJUSTMENT	1	
10\$	24113	SHAFT, PITCH CONTROL	1	RIGHT-SIDE
10#	24114	SHAFT, PITCH CONTROL	1	LEFT-SIDE
11\$#	0627	KEY, 3/16" X 1-1/4"	1	
12\$#	24109	COLLAR, SET	1	
13\$#	24115	SCREW, SET, 5/16"-18 X 1/4"	2	
14\$#	2170	BEARING, RACE	2	
15\$#	2169	BEARING, THRUST	1	
16\$#	1612	BEARING, TROWEL CONTROL	1	
17\$#	0281	BEARING, THRUST	1	
19\$#	10512	RING, SNAP	1	
20\$#	22021	SCREW, HHFS M8-1.25 X 20 MM, GRD 10.9	2	
21\$#	24107	HOUSING, PITCH CONTROL	1	
22\$#	22021	SCREW, HHFS M8-1.25 X 20 MM, GRD 10.9	1	
23\$#	17109	SCREW, SHSCU M8-1.25 X 8 MM	1	
24\$#%	24227	CAP, GREASE ZERK	2	
25\$#%	2621	FITTING, GREASE ZERK STR.	2	
25%\$#	24227	CAP, GREASE ZERK	2	
26\$#	24105	GEAR, DRIVE PITCH CONTROL	1	
27\$#	2649	COVER, PITCH CONTROL HOUSING	1	
28\$#%	0185	SCREW, SHS 3/8"-16 X 3/8"	1	
29\$#	9191	SCREW, BHSC M5-0.8 X 16 MM	4	
30\$#%	24091	SCREW, SHS 1/4"-20 X 5/16"	2	
31\$#%@	24093	HEX NUT, M8 X 1-1/4" NYLOC	1	
32%@	24096	WASHER, M8 SPLIT LOCK	1	
33%@	13351	WASHER, FLAT 3/8"	1	
34%@	24094	SPACER	1	
35%@	10136	WASHER, FLAT SAE 3/8"	1	
36%@	24095	KNOB W/ BOLT	1	
38\$#	4014	SCREW, #2, 3/16" P-K TYPE U-DRIVE	4	
39%\$#	24092	KNOB, KIT	1	INCLUDES ITEMS W/@

NOTICE

Indicated quantities are for one pitch tower. If ordering for two pitch towers, double quantity.

RH-LH PITCH CONTROL TOWER ASSY. (CONTD.)



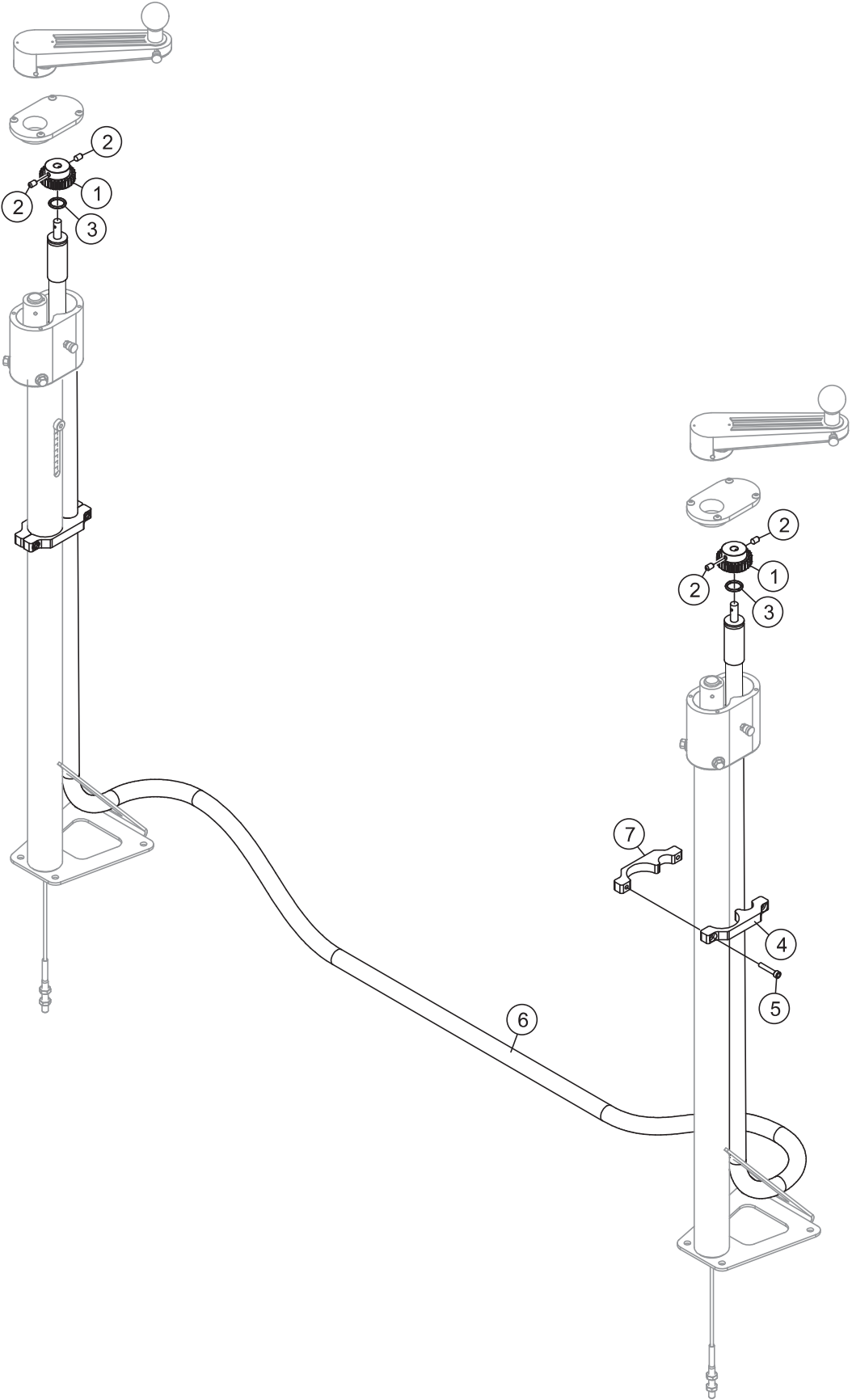
RH-LH PITCH CONTROL TOWER ASSY. (CONTD.)

<u>NO.</u>	<u>PART NO.</u>	<u>PART NAME</u>	<u>QTY.</u>	<u>REMARKS</u>
40\$#	24090	LEVER ASSY., TROWEL ADJUSTMENT	1.....	INCLUDES ITEMS W/%
41	12100	YOKE PITCH CONTROL	2	
42	0683	PIN, COTTER 3/32" DIA. X 3/4"	4	
43	10136	WASHER, FLAT SAE 3/8"	2	
44	9028	PIN, YOKE	2	
45\$#	24406	LEVER, TROWEL ADJUST	1	
46\$#	0300 B	WASHER, FLAT SAE 5/16"	4	
47\$#	5283	NUT, NYLOC 5/16"-18	4	
48	24362	TOWER ASSY. PITCH CONTROL, RH	1.....	INCLUDES ITEMS W/\$
49	24363	TOWER ASSY. PITCH CONTROL, LH	1.....	INCLUDES ITEMS W/#

NOTICE

Indicated quantities are for one pitch control drive assembly. If ordering for two pitch control drives, double the quantity.

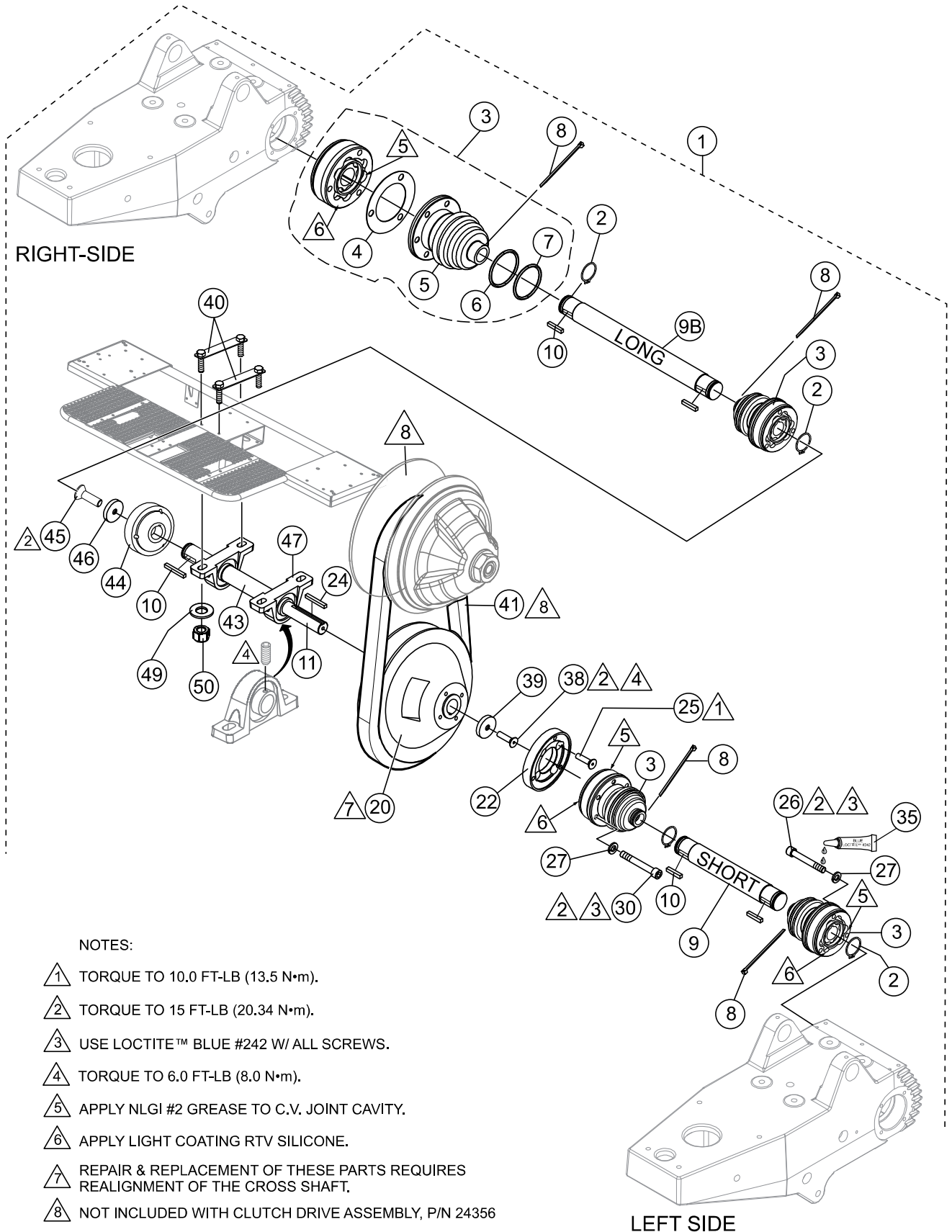
PITCH CONTROL DRIVE CABLE ASSY.



PITCH CONTROL DRIVE CABLE ASSY.

<u>NO.</u>	<u>PART NO.</u>	<u>PART NAME</u>	<u>QTY.</u>	<u>REMARKS</u>
1	23036	GEAR, PITCH CONTROL	2	
2	24180	SCREW, SHS M5-0.8 X 10 MM	4	
3	9196	O-RING	2	
4	24129	CLAMP, PITCH CABLE	2	
5	37325	SCREW, SHC M5-0.8 X 30 MM	4	
6	24258	DRIVE CABLE, PITCH CONTROL	1	
7	24130	CLAMP, PITCH CABLE, THREADED	2	

DRIVE ASSY.



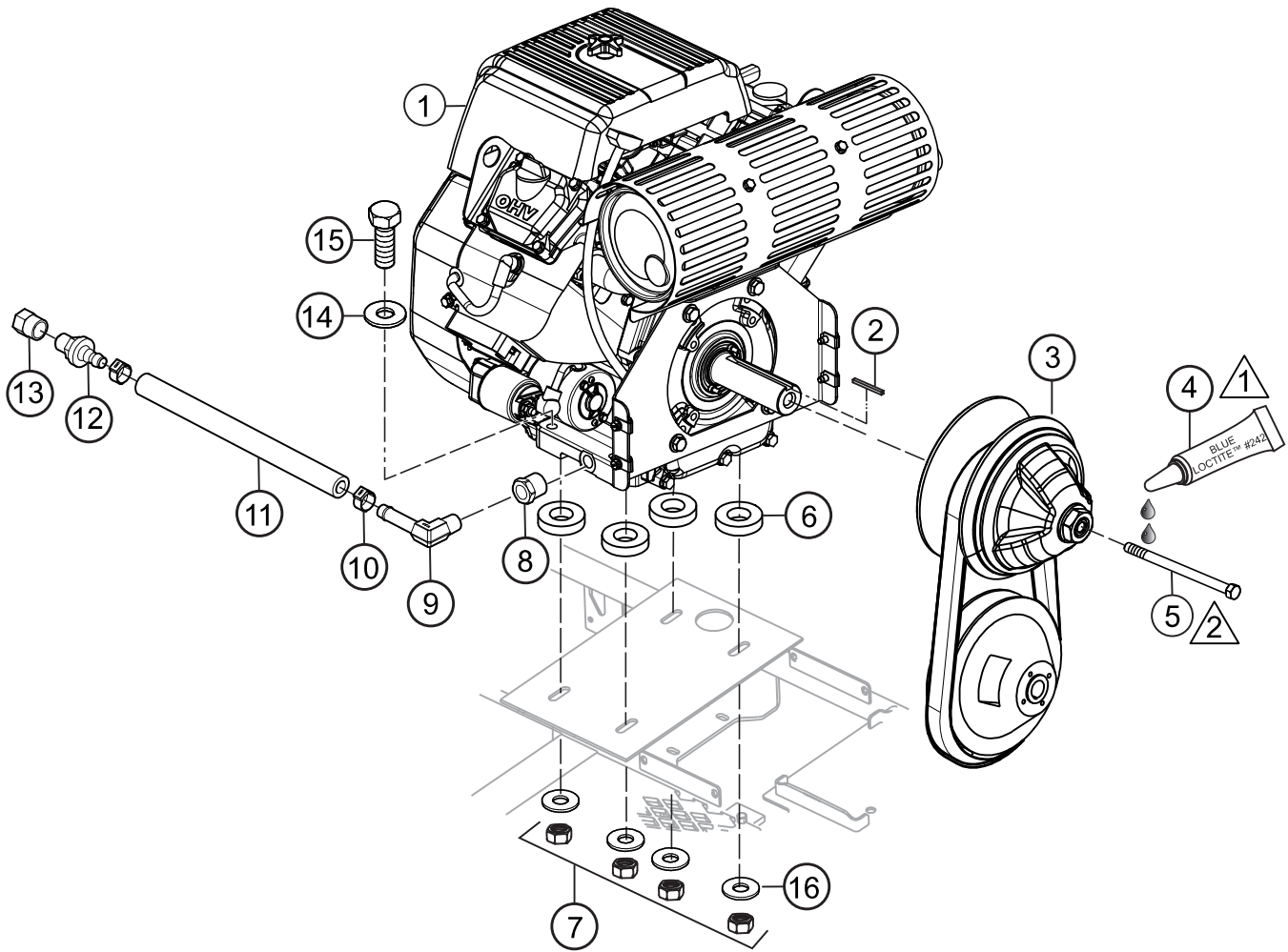
NOTES:

- ① TORQUE TO 10.0 FT-LB (13.5 N•m).
- ② TORQUE TO 15 FT-LB (20.34 N•m).
- ③ USE LOCTITE™ BLUE #242 W/ ALL SCREWS.
- ④ TORQUE TO 6.0 FT-LB (8.0 N•m).
- ⑤ APPLY NLGI #2 GREASE TO C.V. JOINT CAVITY.
- ⑥ APPLY LIGHT COATING RTV SILICONE.
- ⑦ REPAIR & REPLACEMENT OF THESE PARTS REQUIRES REALIGNMENT OF THE CROSS SHAFT.
- ⑧ NOT INCLUDED WITH CLUTCH DRIVE ASSEMBLY, P/N 24356

DRIVE ASSY.

<u>NO.</u>	<u>PART NO.</u>	<u>PART NAME</u>	<u>QTY.</u>	<u>REMARKS</u>
1	24356	DRIVE ASSY., LOWER.....	1.....	INCLUDES ITEMS W/\$
2\$	2090	SNAP RING	4	
3\$	24127	C.V. JOINT, COUPLING W/ BOOT.....	4.....	INCLUDES ITEMS W/%
4%\$	24235	GASKET, C.V. JOINT BOOT RIDERS	4	
5%\$	24256	BOOT ASSY., C.V. JOINT RIDERS.....	4.....	INCLUDES ITEMS W/#
6#%\$	22219	O-RING, 2.25 DIA X .125	4	
7#%\$	22220	O-RING, 1.875 DIA. X .125	4	
8\$	1662	TIE, CABLE TY-RAP BLACK	4	
9\$	24465	SHAFT, C.V. JOINT 7.60 LONG, LH	1	
9B\$	24464	SHAFT, C.V. JOINT 10.75 LONG, RH	1	
10\$	10909	KEY, 3/16" SQ X 11/16"	5	
11\$	24539	DRIVE, CROSS SHAFT ASSY.	1	
20\$	24481	CLUTCH, DRIVEN	1	
22\$	24538	PLATE, ADAPTOR, CLUTCH-TO-CV	1	
24\$	22632	KEY, .188 X .250 X 1.813 STEEL	1	
25\$	24044	SCREW, SHC M8-1.25 X 20 MM	4	
26\$	2186	SCREW, SHC 5/16"-16 X 2-1/4"	9	
27\$	0161 C	WASHER, LOCK, 5/16" MED.	12	
30\$	0243	SCREW, SHC 5/16"-18 X 1-3/4"	3	
35	1477	LOCTITE™ BLUE, #242, 0.5 CC BOTTLE	1	
38\$	9092	SCREW, FHCS 5/16"-18 X 1-1/4"	1	
39\$	23484	RETAINER, DRIVEN CLUTCH	1	
40\$	20186	PLATE W/A, P. BLOCK BEARING MOUNT	2	
41	24496	BELT, CV TECH	1	
43\$	23634	SPACER, Ø1.25 X Ø1.01 X 4.82	1	
44\$	24124	COUPLER, CV SHAFT DRIVE, RIDER	1	
45\$	1146	SCREW, FHSC 5/16"-18 X 1, NYLOC	1	
46\$	2037	SPACER, CSK 1.375 DIA. X .328 DIA. X .250	1	
47\$	24376	BEARING, P-BLOCK 1.0"	2	
49\$	13351	WASHER, FLAT 3/8"	4	
50\$	10133	NUT, NYLOC 3/8"-16	4	

ENGINE/CLUTCH ASSY.



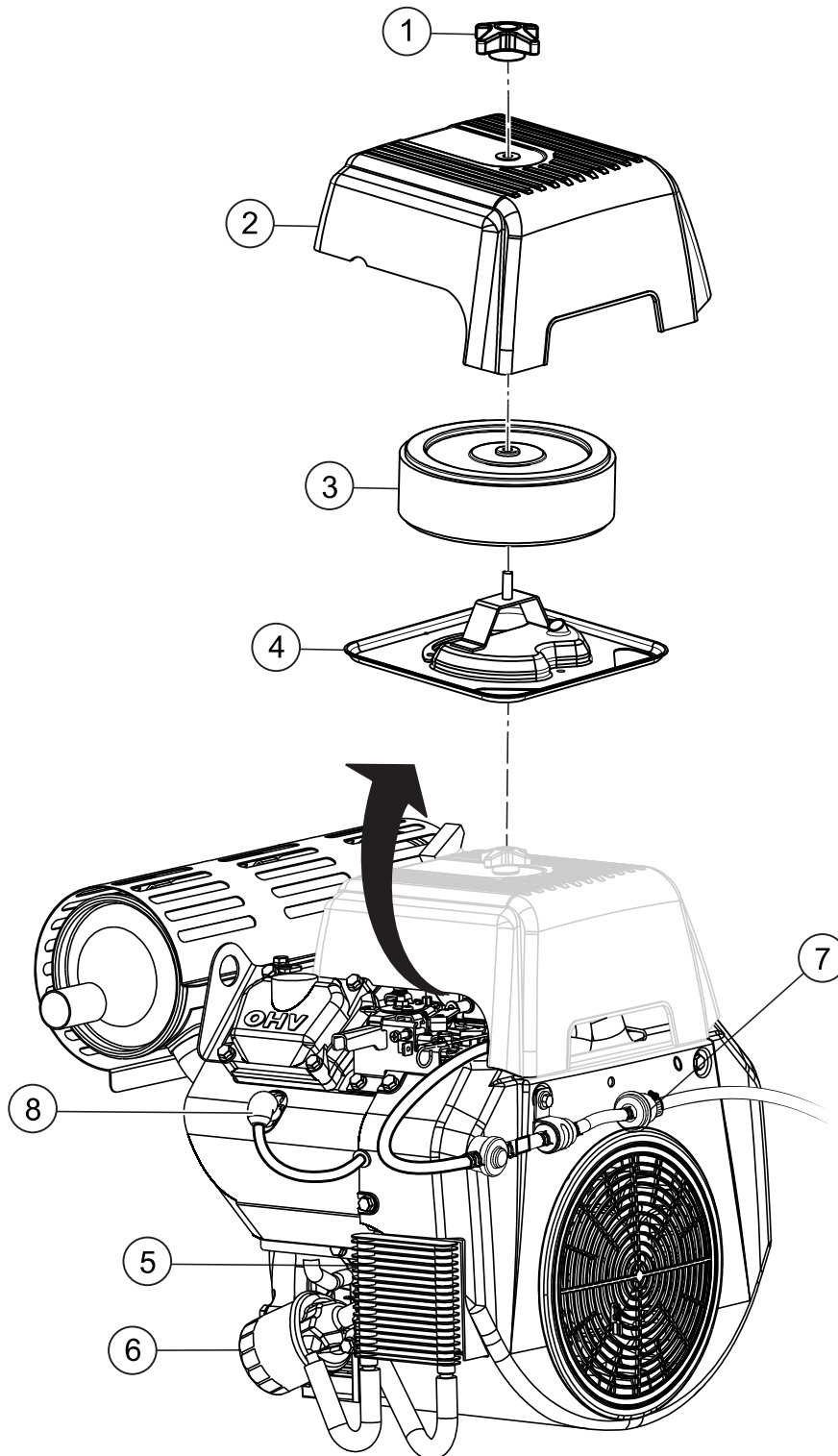
▲ 1 USE BLUE LOCTITE™ #242.

▲ 2 TORQUE TO 45 FT-LB (61 N•m).

ENGINE/CLUTCH ASSY.

<u>NO.</u>	<u>PART NO.</u>	<u>PART NAME</u>	<u>QTY.</u>	<u>REMARKS</u>
1	24466-E	ENGINE, SUBARU EH722	1	
2	22632	KEY, STEEL .188 X .250 X 2.063	1	
3	24480	CLUTCH, CVT UPPER	1	
4	1477	LOCTITE™ #242 BLUE, 0.5 CC BOTTLE	1	
5	24535	SCREW, HHC 5/8"-18 X 1.85 LG	1	
6	1897	SPACER, 3/4" X 3/8" X 3/16"	4	
7	5283	NUT, NYLOC 5/16"-18	4	
8	19317	FITTING, BRASS BUSHING 1/4"FP X 3/8" MP	1	
9	370628	FITTING, BRASS 45° 6BARB X 1/4" MP	1	
10	22067	CLAMP, STEPLESS EAR 1/4"	2	
11	60045	HOSE, 3/8" ID. PUSHLOCK 250 PSI	1	
12	12237	FITTING, 6MBARB X 6MJ	1	
13	12236	FITTING, CAP 6FJHEX	1	
14	933241	WASHER, FLAT SAE 5/16" GRD 9	4	
15	0300 A	SCREW, HHC 5/16"-18 X 2"	4	
16	0300 B	WASHER, FLAT SAE 5/16"	4	

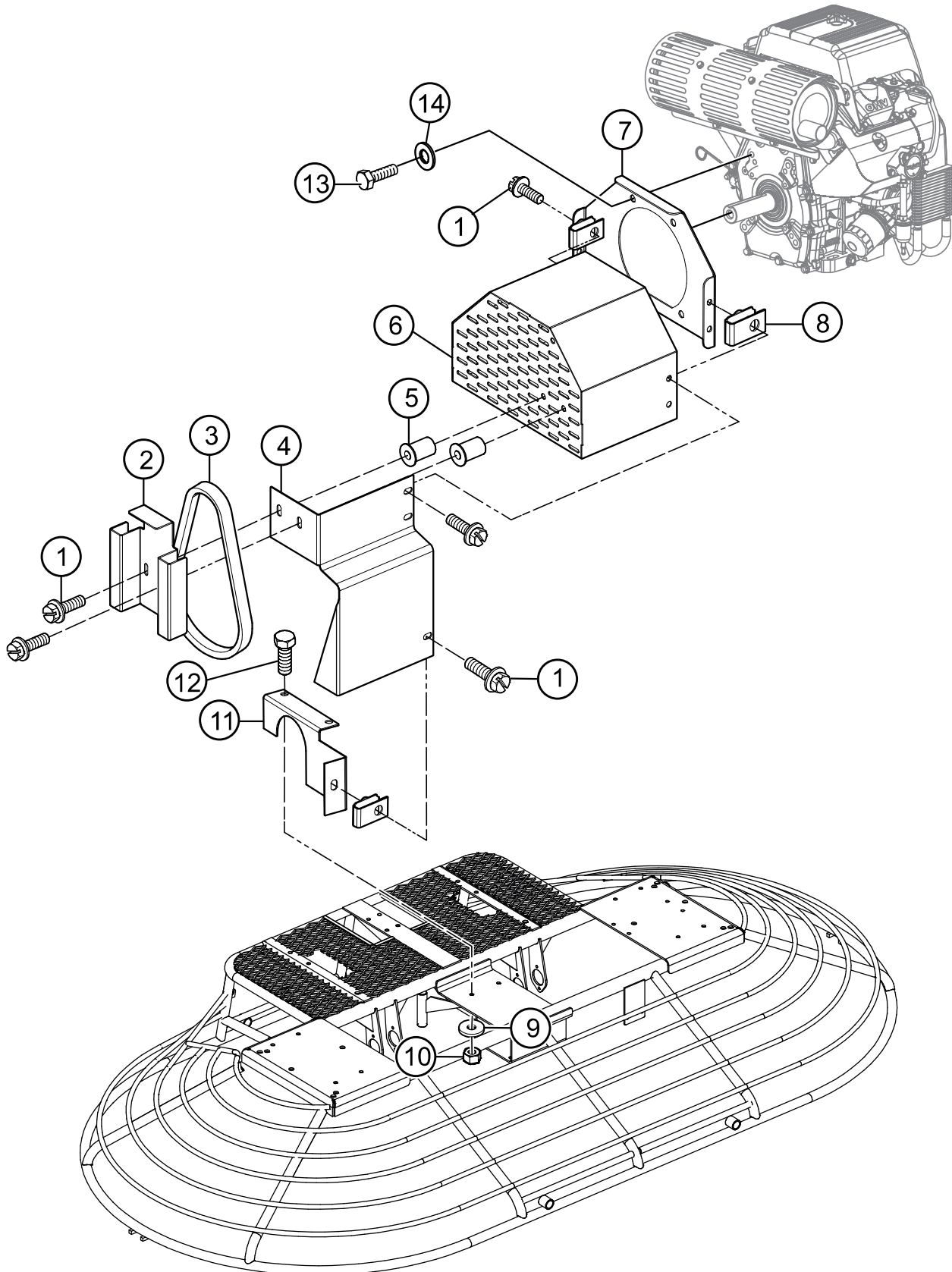
FILTERS/COOLER ASSY.



FILTERS/COOLER ASSY.

<u>NO.</u>	<u>PART NO.</u>	<u>PART NAME</u>	<u>QTY.</u>	<u>REMARKS</u>
1	2633264001	WING NUT	1	
2	2633263003	CLEANER COVER	1	
3	26332610A1	ELEMENT, AIR FILTER	1	
4	28032626A1	CLEANER BASE	1	
5	28065001C1	OIL COOLER	1	
6	2486580100	FILTER, OIL	1	
7	26365012A3	FILTER, FUEL	1	
8	X650140730	SPARK PLUG	2	

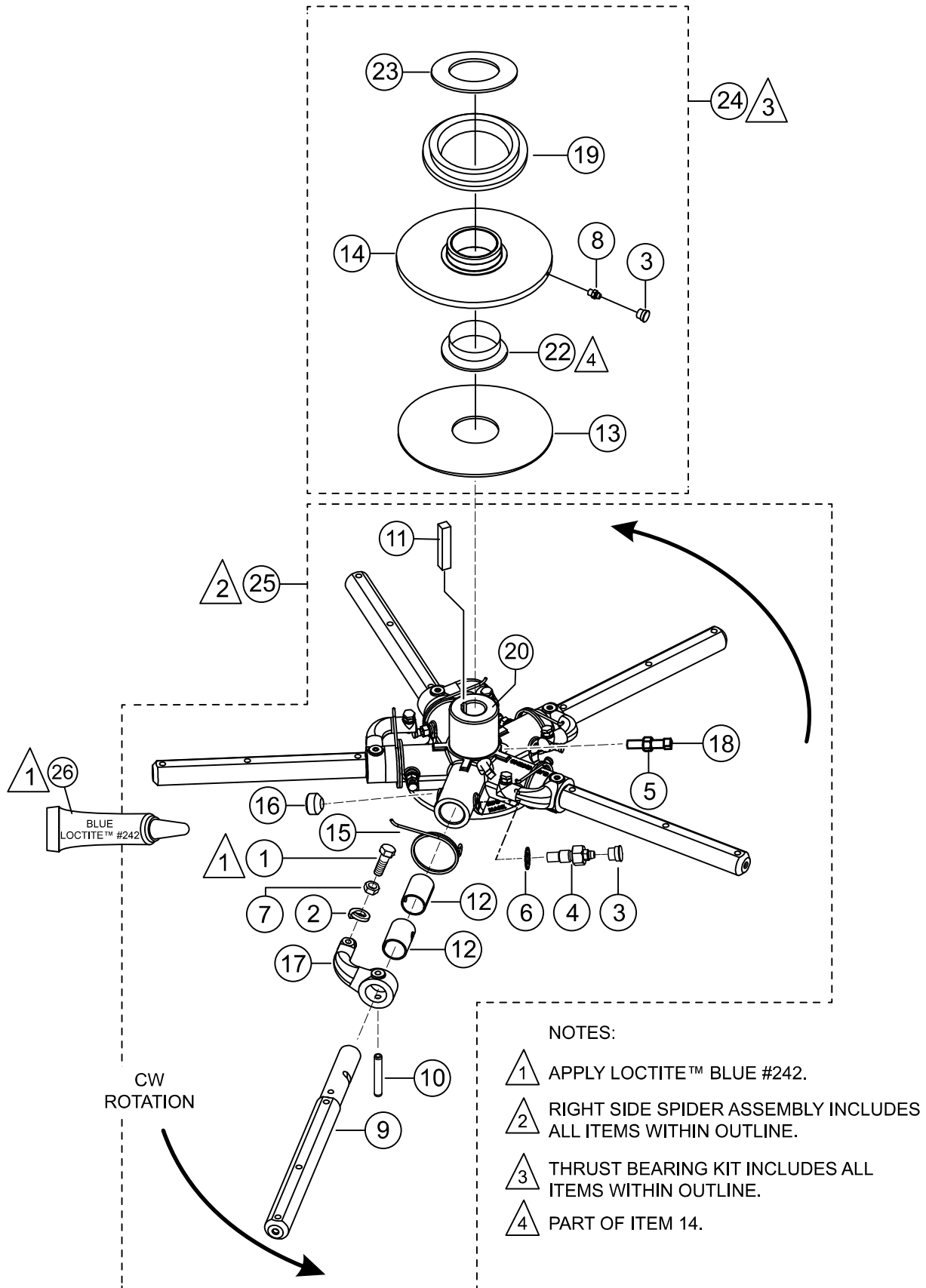
V-BELT COVER/SHIELD ASSY.



V-BELT COVER/SHIELD ASSY.

<u>NO.</u>	<u>PART NO.</u>	<u>PART NAME</u>	<u>QTY.</u>	<u>REMARKS</u>
1	11819	SCREW, HEX WASHER SLOTTED 1/4"-20 X 3/4"	7	
2	24553	HOLDER, SPARE BELT	1	
3	24496	BELT, CVT	1	
4	24555	GUARD, CLUTCH	1	
5	19266	NUT, BLIND 1/4"-20 X .027-.165	2	
6	24479	BELT GUARD	1	
7	24476	PLATE, MOUNTING BELT COVER	1	
8	11534	NUT, "U" TYPE, 1/4"-20	5	
9	13351	WASHER, FLAT 3/8"	2	
10	10133	NUT, NYLOC 3/8"-16	2	
11	24556	GUARD, SHAFT	1	
12	20187	SCREW, HHC 3/8"-16 X 1-1/2" SS	2	
13	0205	SCREW, HHC 3/8"-16 X 1.0	4	
14	10136	WASHER, FLAT SAE 3/8"	4	

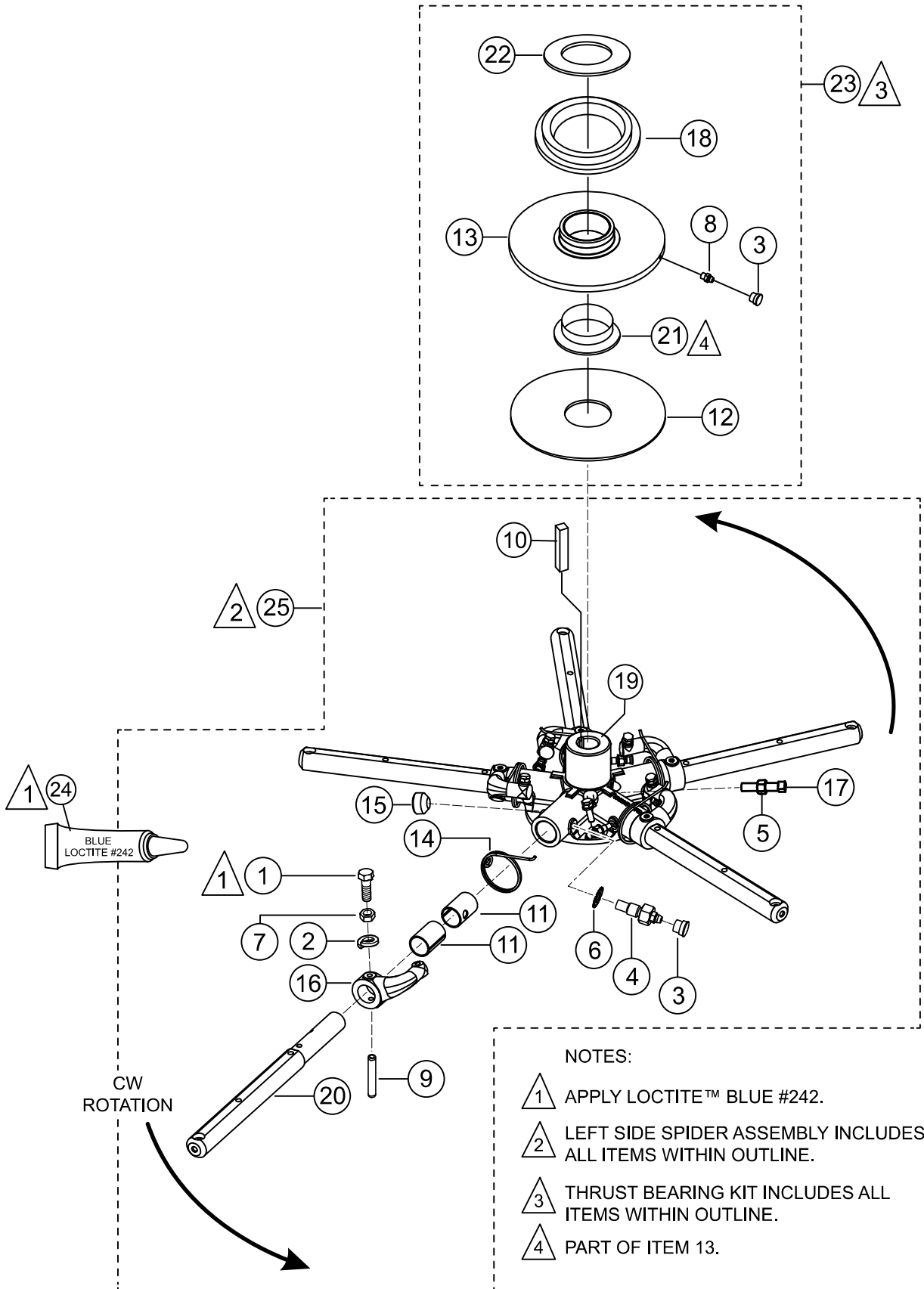
SPIDER ASSY. (RIGHT)



SPIDER ASSY. (RIGHT)

<u>NO.</u>	<u>PART NO.</u>	<u>PART NAME</u>	<u>QTY.</u>	<u>REMARKS</u>
1#	0164 B	SCREW,TROWEL ADJUSTMENT 3/8"-16	5	
2#	0166 A	WASHER, LOCK, 3/8" MED.	5	
3\$#	1162 A	CAP, GREASE ZERK, #2 YELLOW	6	
4#	1322	SCREW ASSY., TROWEL ARM RETAINING	5	
5	1456	NUT, HEX FINISH 3/8"-16	2	
6#	1875	WASHER, INT. SHKP, 3/8"	5	
7#	1876	NUT, HEX JAM 3/8"-16	5	
8\$	2621	FITTING, GREASE ZERK STR. 1/4"-28	1	
9#	2829-1	ARM, TROWEL, HD EXTENDED	5	
10#	9006	PIN, ROLL 5/16" X 2 NP	5	
11	9193	KEY, SQ RN .312 X 3.00	1	
12\$	11039	BUSHING, ARM	10	
13\$	11419	PLATE, WEAR	1	
14\$	11431	THRUST COLLAR W/ BUSHING	1	INCLUDES ITEMS W/%
15\$	11594	SPRING, RS H ARM RETURN LARGE BOSS	5	
16\$	11602	SCREW, SHS 3/8"-16 X 1/4"	5	
17#	11904-1	LEVER, TROWEL ARM "H" RIGHT SIDE	5	
18#	12097	SCREW, SQHS 3/8"-16 X 1-3/4" GRD 8	2	
19\$	12779	BEARING, 85 MM X 130 MM, FLANGED	1	
20#	12786	SPIDER PLATE, 1-1/4" SHAFT	1	
21#	1141	KEY, 5/16" SQ X 2-5/8"	1	
22\$%	1471	BUSHING	1	
23\$	12208	WEAR RING	1	
24	10968	THRUST BEARING KIT	1	INCLUDES ITEMS W/\$
25	24360	SPIDER ASSY., 5 BLADE, LS.....	1	INCLUDES ITEMS W/#
26	1477	LOCTITE™ #242 BLUE, 0.5 CC BOTTLE	1	

SPIDER ASSY. (LEFT)



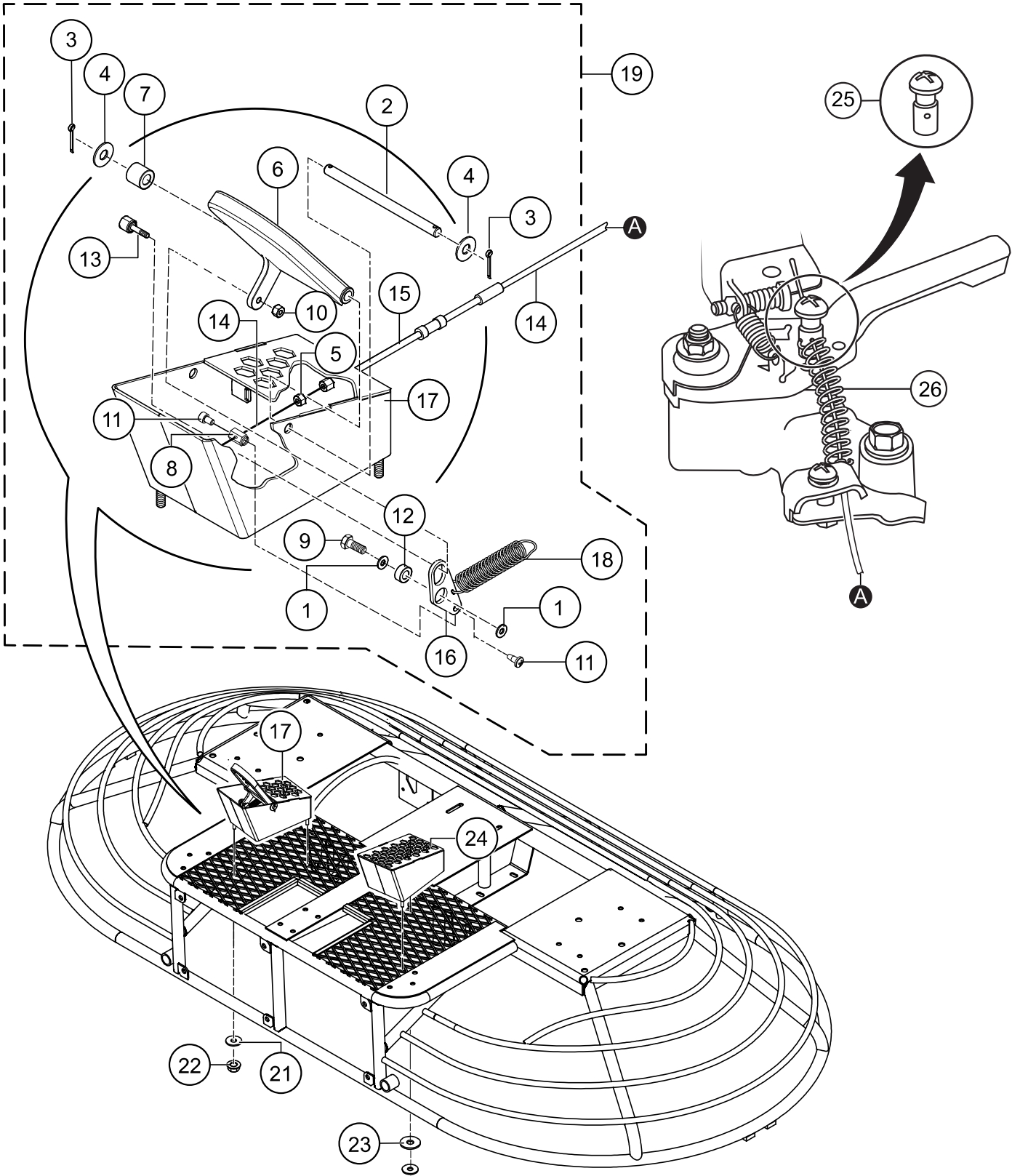
NOTES:

- ① APPLY LOCTITE™ BLUE #242.
- ② LEFT SIDE SPIDER ASSEMBLY INCLUDES ALL ITEMS WITHIN OUTLINE.
- ③ THRUST BEARING KIT INCLUDES ALL ITEMS WITHIN OUTLINE.
- ④ PART OF ITEM 13.

SPIDER ASSY. (LEFT)

<u>NO.</u>	<u>PART NO.</u>	<u>PART NAME</u>	<u>QTY.</u>	<u>REMARKS</u>
1#	0164 B	SCREW,TROWEL ADJUSTMENT 3/8"-16	5	
2#	0166 A	WASHER, LOCK, 3/8" MED.	5	
3\$#	1162 A	CAP, GREASE ZERK, #2 YELLOW	6	
4#	1322	SCREW ASSY., TROWEL ARM RETAINING	5	
5#	1456	NUT, HEX FINISH 3/8"-16	2	
6#	1875	WASHER, INT. SHKP, 3/8"	5	
7#	1876	NUT, HEX JAM 3/8"-16	5	
8\$	2621	FITTING, GREASE ZERK STR. 1/4"-28	1	
9#	9006	PIN, ROLL 5/16" X 2 NP	5	
10#	9193	KEY, SQ RN .312 X 3.00	1	
11#	11039	BUSHING, ARM	10	
12\$	11419	PLATE, WEAR	1	
13\$	11431	THRUST COLLAR W/ BUSHING	1.....	INCLUDES ITEMS W/%
14#	11595	SPRING, LS H ARM RETURN LARGE BOSS	5	
15#	11602	SCREW, SHS 3/8"-16 X 1/4"	5	
16#	11903-1	LEVER, TROWEL ARM "H" LEFT SIDE	5	
17#	12097	SCREW, SQHS 3/8"-16 X 1-3/4" GRD 8	2	
18\$	12779	BEARING, 85 MM X 130 MM, FLANGED	1	
19#	12786	SPIDER PLATE, 1-1/4" SHAFT	1	
20#	21495-1	ARM, TROWEL ARM	5	
21\$%	1471	BUSHING	1	
22\$	12208	WEAR RING	1	
23	10968	THRUST BEARING KIT	1.....	INCLUDES ITEMS W/\$
24	1477	LOCTITE™ #242 BLUE, 0.5 CC BOTTLE	1	
25	24361	SPIDER ASSY., 5 BLADE, LS.....	1.....	INCLUDES ITEMS W/#

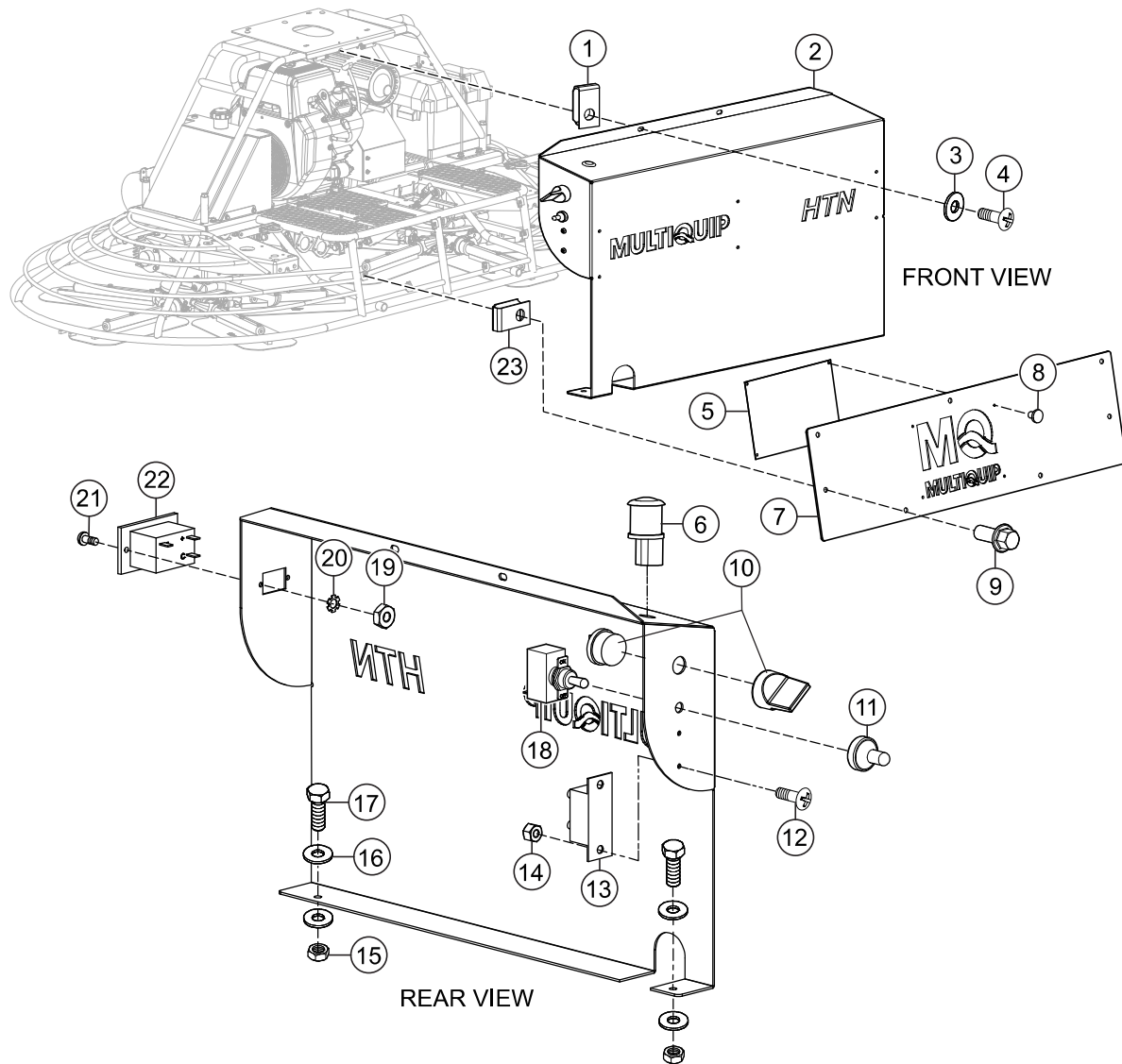
THROTTLE CABLE/FOOT PEDAL ASSY.



THROTTLE CABLE/FOOT PEDAL ASSY.

<u>NO.</u>	<u>PART NO.</u>	<u>PART NAME</u>	<u>QTY.</u>	<u>REMARKS</u>
1#	0300 B	WASHER, FLAT SAE 5/16"	2	
2#	2772	PIN, ACCELERATOR PEDAL	1	
3#	24193	PIN, COTTER, 2.5 X 30 MM	2	
4#	10136	WASHER, FLAT SAE 3/8"	2	
5#	24093	NUT, HEX M8 X 1.25 NYLOC	1	
6#	23591	PEDAL, ACCELERATOR	1	
7#	23596	SPACER, PEDAL	1	
8#	24170	STOPPER, WIRE	1	
9#	24179	SCREW, HHC M6-1.0 X 20 MM	1	
10#	24186	NUT, NYLOC, M4 X 0.7, BLACK SUS	1	
11#	24187	SCREW, TRUSS HD, M5 X .8 X 15 MM	2	
12#	24192	BALL BEARING	1	
13#	24211	BEARING, CAM FOLLOWER, 12D-M4	1	
14#	24214	CABLE, THROTTLE, INNER	1	
15#	24215	CASING, THROTTLE WIRE	1	
16#	24255	LINKAGE, ACCELERATOR PEDAL	1	
17#	24239	FOOT RISER, ACCELERATOR	1	
18#	37527	SPRING	1	
19	24275	ACCELERATOR PEDAL ASSY.....	1	INCLUDES ITEMS W/#
21	24096	WASHER, M8 SPLIT LOCK	4	
22	24093	HEX NUT, M8 X 1-1/4" NYLOC	5	
23	3233	WASHER, FENDER, 1-1/2" OD. X 3/8" ID.	2	
24	24245	FOOT RISER	1	
25	20845	SWIVEL, THROTTLE CABLE	1	
26	2192	SPRING, EXTENSION RT	1	

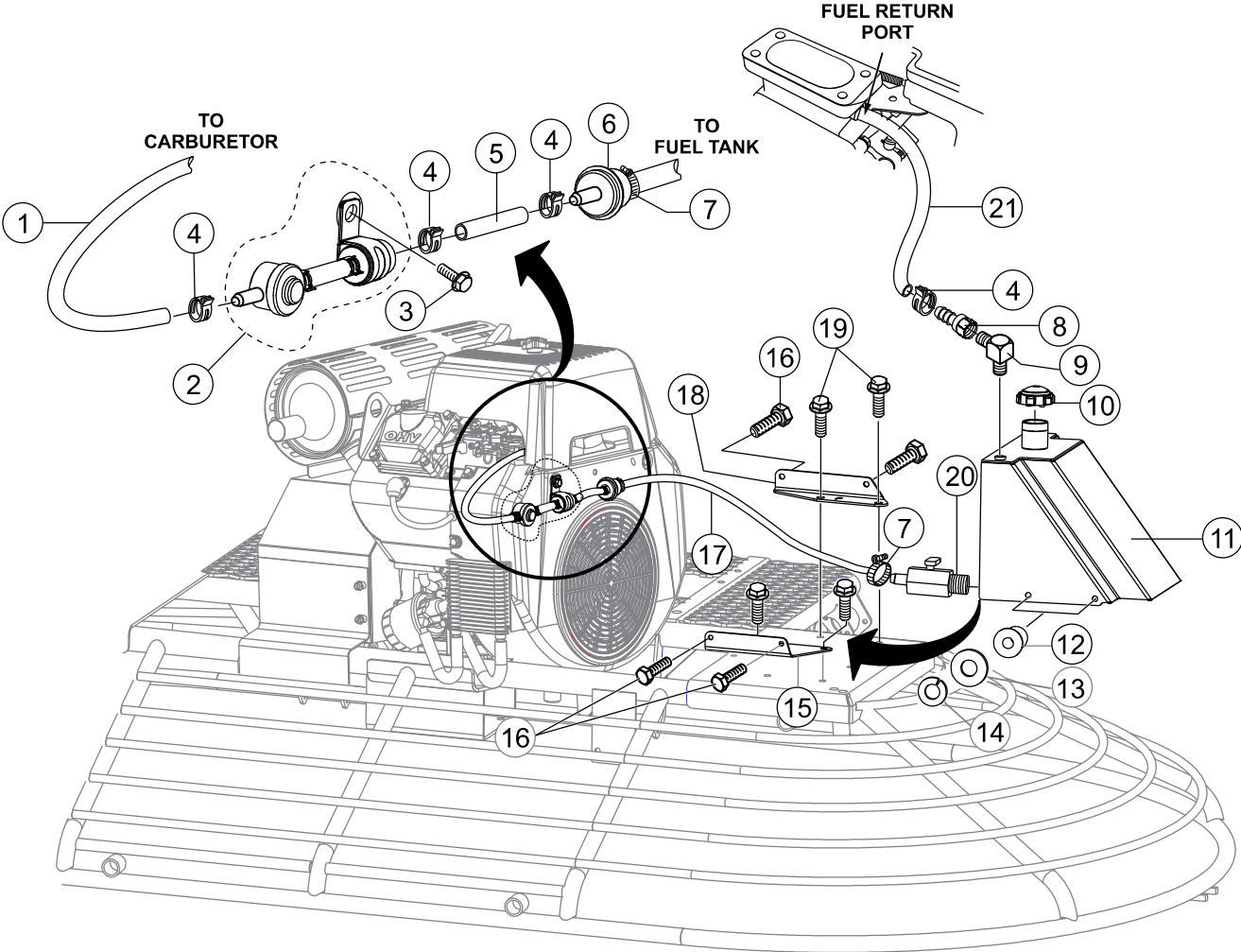
CONTROL PANEL ASSY.



CONTROL PANEL ASSY.

<u>NO.</u>	<u>PART NO.</u>	<u>PART NAME</u>	<u>QTY.</u>	<u>REMARKS</u>
1	11534	NUT, "U" TYPE, 1/4"-20	2	
2	24370	PANEL, CONTROL	1	
3	2203	WASHER, FLAT, #10	2	
4	5065 B	SCREW, PHP 10-32 X 1/2"	2	
5	24529	PLATE, LOGO BACKUP	1	
6	24469	LIGHT, RED INDICATOR 0.75 DIA.	1	
7	24455	PANEL, FRONT BODY	1	
8	19847	RIVET, POP BH .187 X.125-.250 GRIP	4	
9	22021	SCREW, HHFS M8-1.25 X 20 MM, GRD 10.9	7	
10	24466-K	KEY SWITCH	1	
11	8381	BOOT, TOGGLE SWITCH	1	
12	8133	SCREW, PHP 10-32 X 3/4"	2	
13	24459-20	CIRCUIT BREAKER, 12 VDC 20A	1	
14	10019	NUT, NYLOC 10-32	2	
15	5283	NUT, NYLOC 5/16"-18	2	
16	0300 B	WASHER, FLAT SAE 5/16"	4	
17	0202	SCREW, HHC 5/16"-18 X 1	2	
18	4682	SWITCH, TOGGLE SPST 20A 125VAC	1	
19	16723	NUT, HEX FIN 8-32	2	
20	10114	WASHER, #8	2	
21	1278	SCREW, PHP 8-32 X 3/8"	2	
22	24474	METER, BATTERY POWER	1	
23	24174	NUT, U TYPE, M8 X 1.25	7	

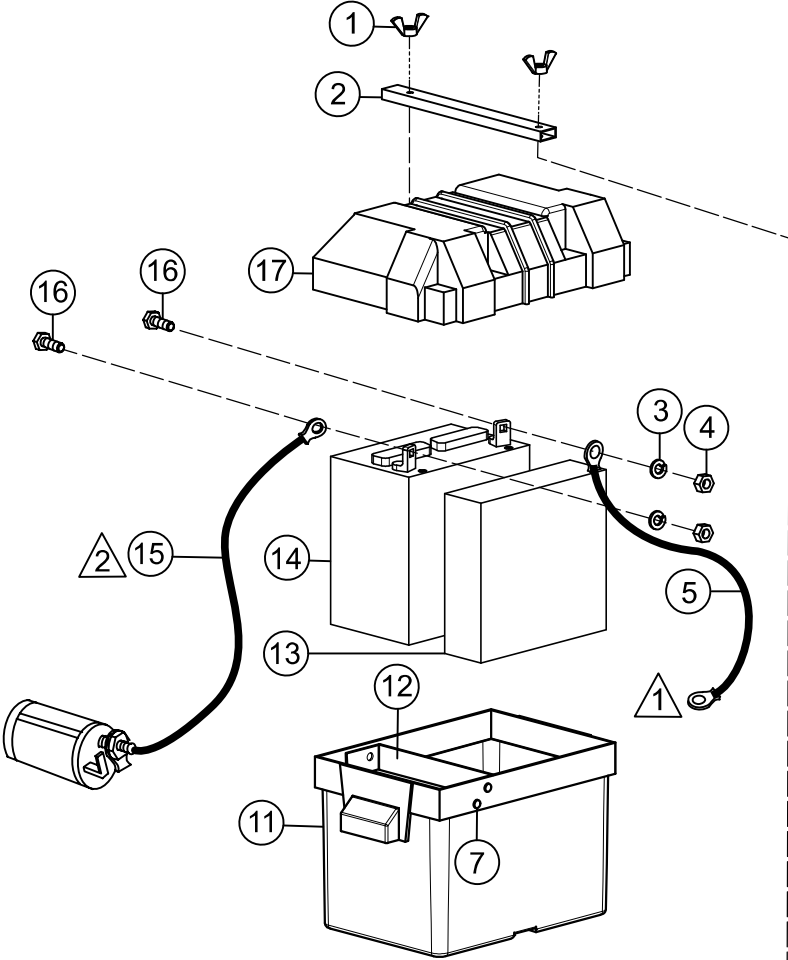
FUEL ASSY.



FUEL ASSY.

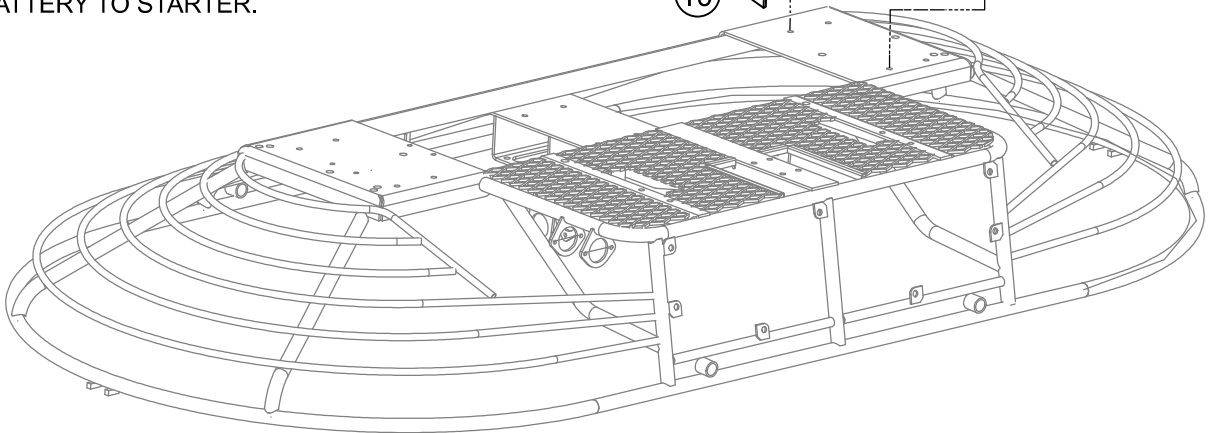
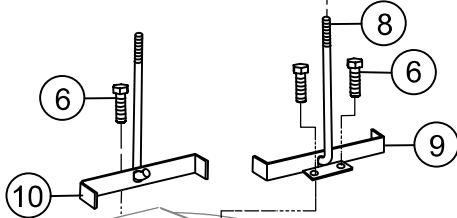
<u>NO.</u>	<u>PART NO.</u>	<u>PART NAME</u>	<u>QTY.</u>	<u>REMARKS</u>
1	X851061660	FUEL HOSE	1	
2	20K6220100	PUMP, FUEL	1	
3	X110060020	FLANGE BOLT	1	
4	2636850103	HOSE CLAMP	6	
5	X851061381	FUEL HOSE	1	
6	26365012A3	FILTER, FUEL	1	
7	24221	CLAMP, HOSE WORM, 12 MM-15 MM	2	
8	24565	FITTING, 6 BARB-4 FEMALE JIC SWIVEL	1	
9	24564	FITTING, 1/4" JIC MALE X M14.5 MALE	1	
10	24224	CAP, FUEL	1	
11	24471	TANK, FUEL	1	
12	19266	NUT, BLIND 1/4"-20 X .027-.165	4	
13	0948	WASHER, FLAT 1/4" SAE	4	
14	0181 B	WASHER, LOCK, 1/4" MEDIUM	4	
15	22103	BRACKET, TANK FUEL REAR	1	
16	4514	SCREW, HHC 1/4"-20 X 5/8" GRD 5	4	
17	24213	FUEL HOSE, 8 MM X 14 MM X 450 MM	1	
18	22102	BRACKET, TANK FUEL FRONT	1	
19	22106	SCREW, HHFS 3/8"-16 X 1-1/2"	4	
20	24257	VALVE, M14-8 MM BARB	1	
21	X851061481	FUEL HOSE	1	

BATTERY ASSY.



⚠️ 1 NEGATIVE BATTERY CABLE.
BATTERY TO GROUND ON ENGINE
MOUNTING BOLT.

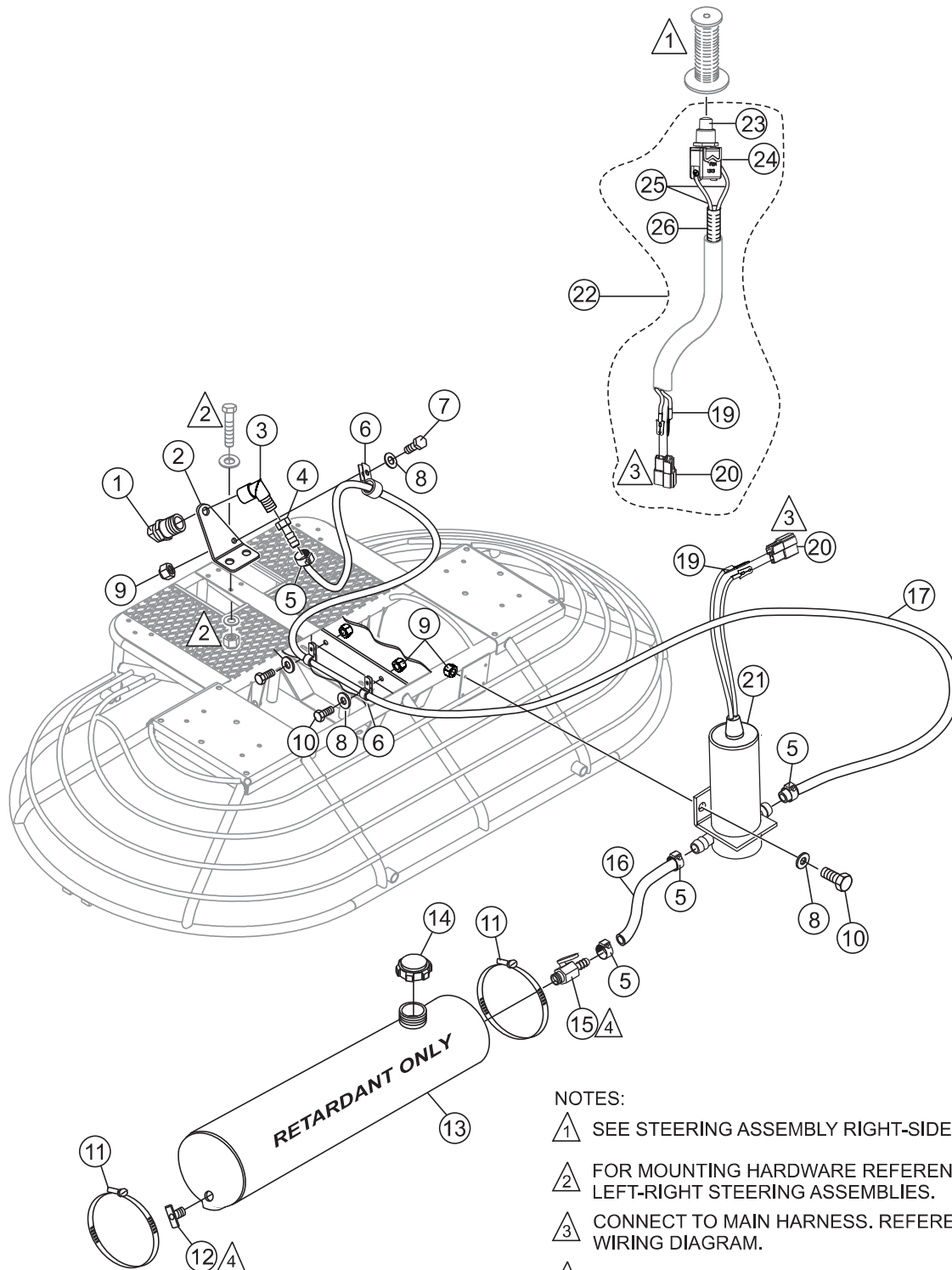
⚠️ 2 POSITIVE BATTERY CABLE.
BATTERY TO STARTER.



BATTERY ASSY.

<u>NO.</u>	<u>PART NO.</u>	<u>PART NAME</u>	<u>QTY.</u>	<u>REMARKS</u>
1	24300	NUT, WING, M6 X 1.0	2	
2	24523	TUBE, BATTERY HOLD-DOWN	1	
3	0181 B	WASHER, LOCK, 1/4" MEDIUM	4	
4	0949	NUT, FINISH 1/4"-20	2	
5	24359	CABLE, BATTERY, NEGATIVE	1	
6	22106	SCREW, HHFS 3/8"-16 X 1.25 ZINC	4	
7	19847	RIVET, POP BH .187 X .125-.250	4	
8	24518	ROD, BATTERY HOLD-DOWN	2	
9	24519	BRACKET, BATTERY, FRONT	1	
10	24520	BRACKET, BATTERY, REAR	1	
11	24524-B	BATTERY BOX, LOWER	1	
12	24161	BRACKET, BATTERY	1	
13	24162	SPONGE	1	
14	24151	BATTERY, WET, 36B20	1	
15	24358	CABLE, BATTERY, POSITIVE	1	
16	0131 A	SCREW, HHC 1/4"-20 X 3/4"	2	
17	24524-C	BATTERY BOX, COVER	1	

SPRAY ASSY.



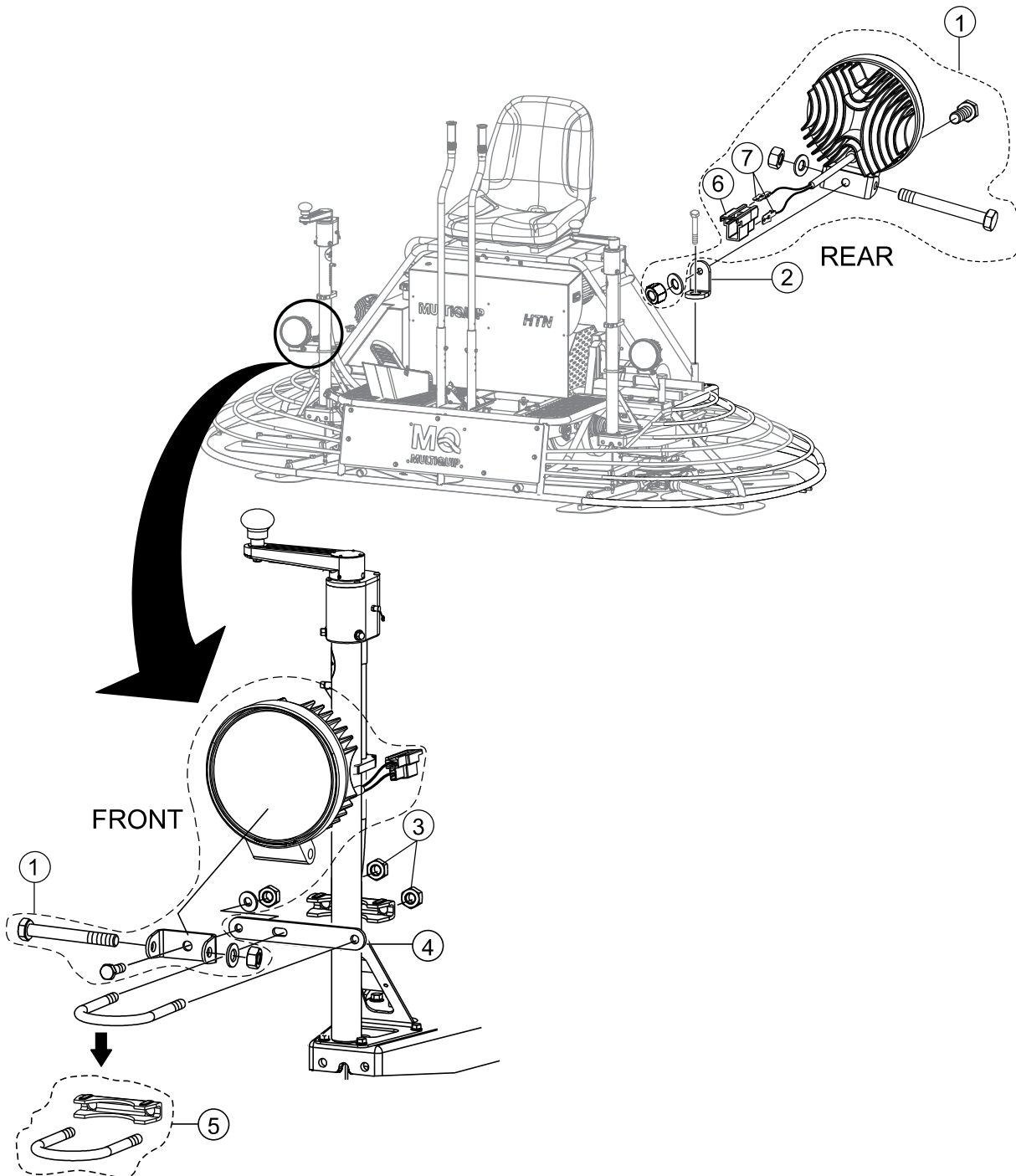
NOTES:

- ▲ 1 SEE STEERING ASSEMBLY RIGHT-SIDE
- ▲ 2 FOR MOUNTING HARDWARE REFERENCE LEFT-RIGHT STEERING ASSEMBLIES.
- ▲ 3 CONNECT TO MAIN HARNESS. REFERENCE WIRING DIAGRAM.
- ▲ 4 APPLY TEFLON TAPE TO THREADS.

SPRAY ASSY.

<u>NO.</u>	<u>PART NO.</u>	<u>PART NAME</u>	<u>QTY.</u>	<u>REMARKS</u>
1	24219	NOZZLE, SPRAY	1	
2	11222	MOUNT, SPRAY NOZZLE	1	
3	24216	FITTING, BRASS 90°, 1/4" M X 1/4" F	1	
4	24220	FITTING, PF 1/4"-10 MM DIA.	1	
5	24221	CLAMP, HOSE WORM, 12 MM-15 MM	4	
6	24290	CLAMP, HOSE SUPPORT, 16 MM-7 MM	3	
7	4514	SCREW, HHC 1/4"-20 X 5/8" GRD 5	1	
8	0948	WASHER, FLAT 1/4" SAE	5	
9	10024	NUT, NYLOC 1/4"-20	5	
10	0131 A	SCREW, HHC 1/4"-20 X 3/4"	4	
11	2398	CLAMP, HOSE WORM #96 4.75" TO 6.50"	2	
12	2478	FITTING, DRAIN	1	
13	24178	TANK, RETARDANT	1	
14	24212	CAP, SPRAY TANK	1	
15	24257	VALVE, M14-8 MM BARB	1	
16	24413	HOSE, 8 MM ID. X 12 MM O.D (59.05")	5	1PC=1FT
19\$	24201	TERMINAL, TANG, MALE 16-14GA	2	
20#\$	24202	CONNECTOR BODY	1	
21\$	12548	PUMP, SPRAY, SHURFLO 100-000-21	1	
22	24276	SWITCH ASSY., SPRAY	1	INCLUDES ITEMS W/#
23#	24199	SWITCH, PUSH BUTTON, 4A, 12 VDC	1	
24#	24169	HOLDER, SPRAY SWITCH	1	
25#	24276	WIRE, 1.25 SQCM, BLACK, 79" LG 2	2	
26#	60221	LOOM, .375 SPLIT, 6.4 FT.	2	1PC=1FT

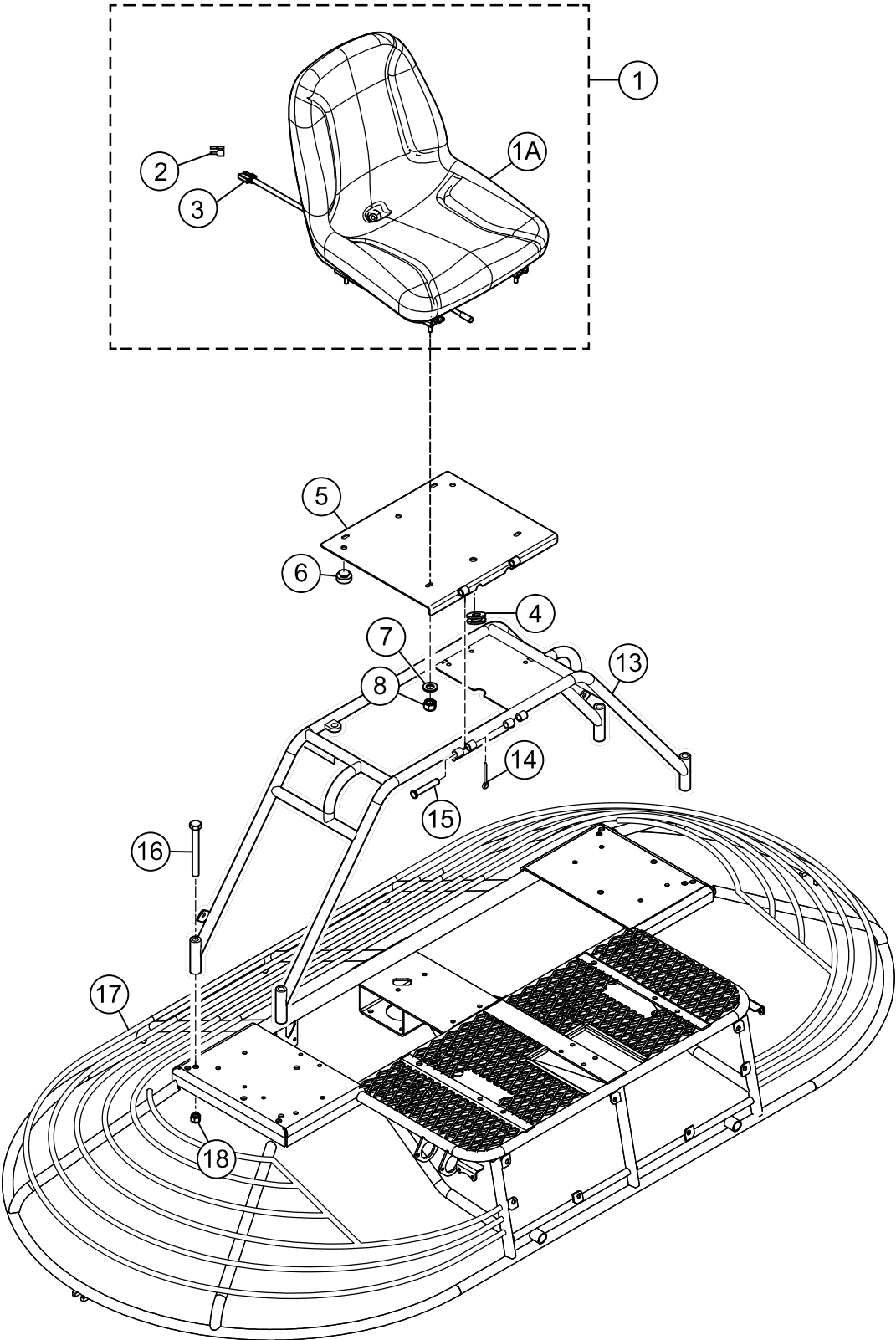
LIGHT ASSY.



LIGHT ASSY.

<u>NO.</u>	<u>PART NO.</u>	<u>PART NAME</u>	<u>QTY.</u>	<u>REMARKS</u>
1	24482	LIGHT ASSEMBLY, LED	4.....	INCLUDES ITEMS W/#
2	24537	BRACKET, MOUNT, REAR LIGHT	2	
3	24093	NUT HEX, M8 X 1.25 NYLOC	4	
4	24441	BRACKET, LIGHT SIDE	2	
5	24160	CLAMP, 1-3/4"	2	
6#	24202	CONNECTOR BODY	1	
7#	24201	TERMINAL, MALE 16-14GA	2	

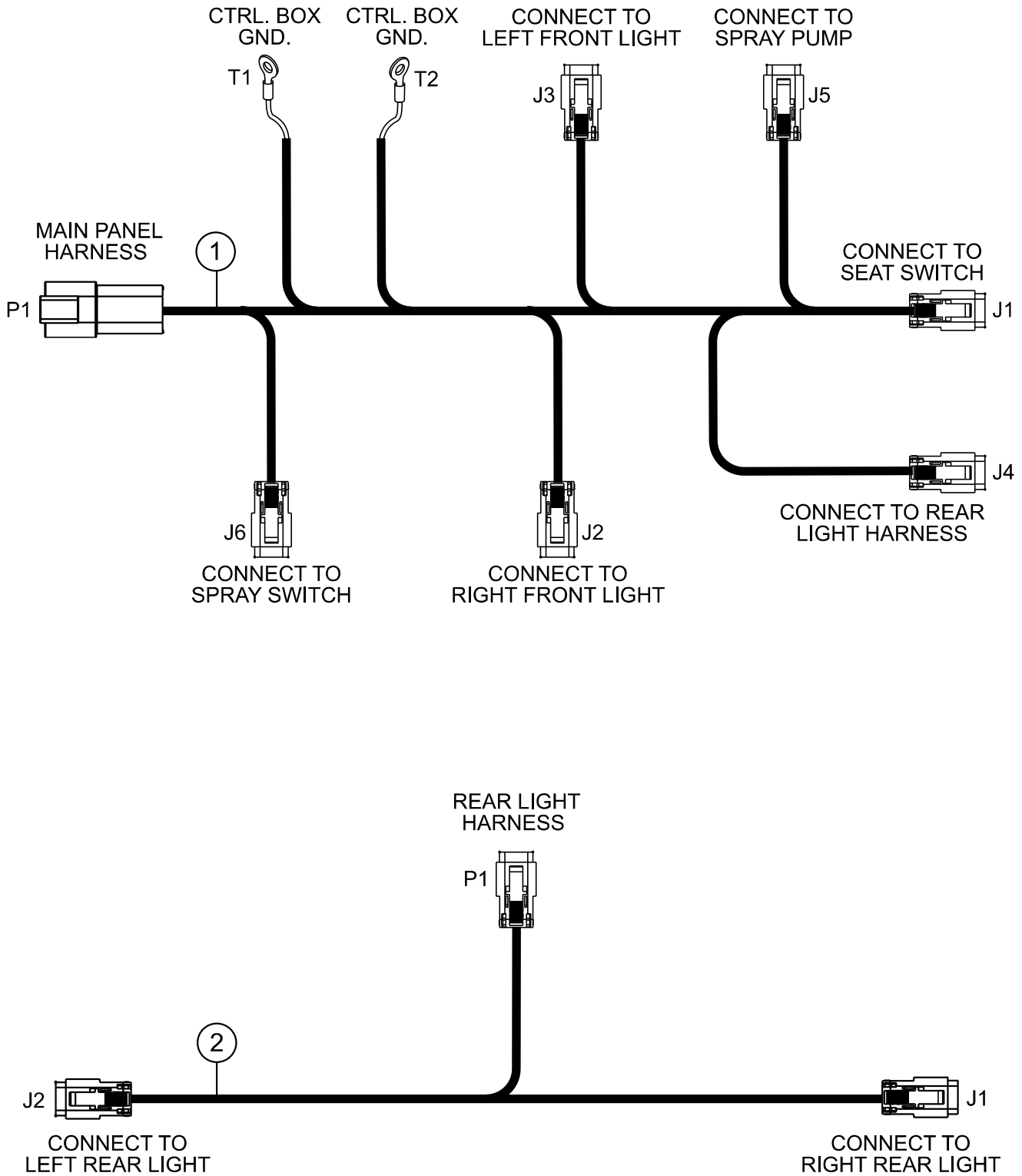
SEAT FRAME ASSY.



SEAT FRAME ASSY.

<u>NO.</u>	<u>PART NO.</u>	<u>PART NAME</u>	<u>QTY.</u>	<u>REMARKS</u>
1	24120	SEAT ASSEMBLY	1.....	INCLUDES ITEMS W/\$
1A\$	24203	SEAT, SC-3-26	1	
2\$	24234	CONNECTOR BODY, MALE	1	
3\$	24233	TERMINAL, FEMALE	2	
4	19468	GROMMET	1	
5	24412	SEAT PLATE	1	
6	21597	BUMPER, STEM 1.0" DIA. X .5S X .31	3	
7	0300 B	WASHER, FLAT SAE 5/16"	4	
8	5283	NUT, NYLOC 5/16"-18	4	
13	22129	FRAME, SEAT	1	
14	0183	PIN, COTTER 1/8" DIA. X 1-1/4"	2	
15	8081	PIN, CLEVIS 1/2" X 2-3/4"	2	
16	913222	SCREW, HHC 1/2"-13 X 4-3/4"	4	
17	24332	FRAME, MAIN	1	
18	10176	NUT, NYLOC 1/2"-13	4	

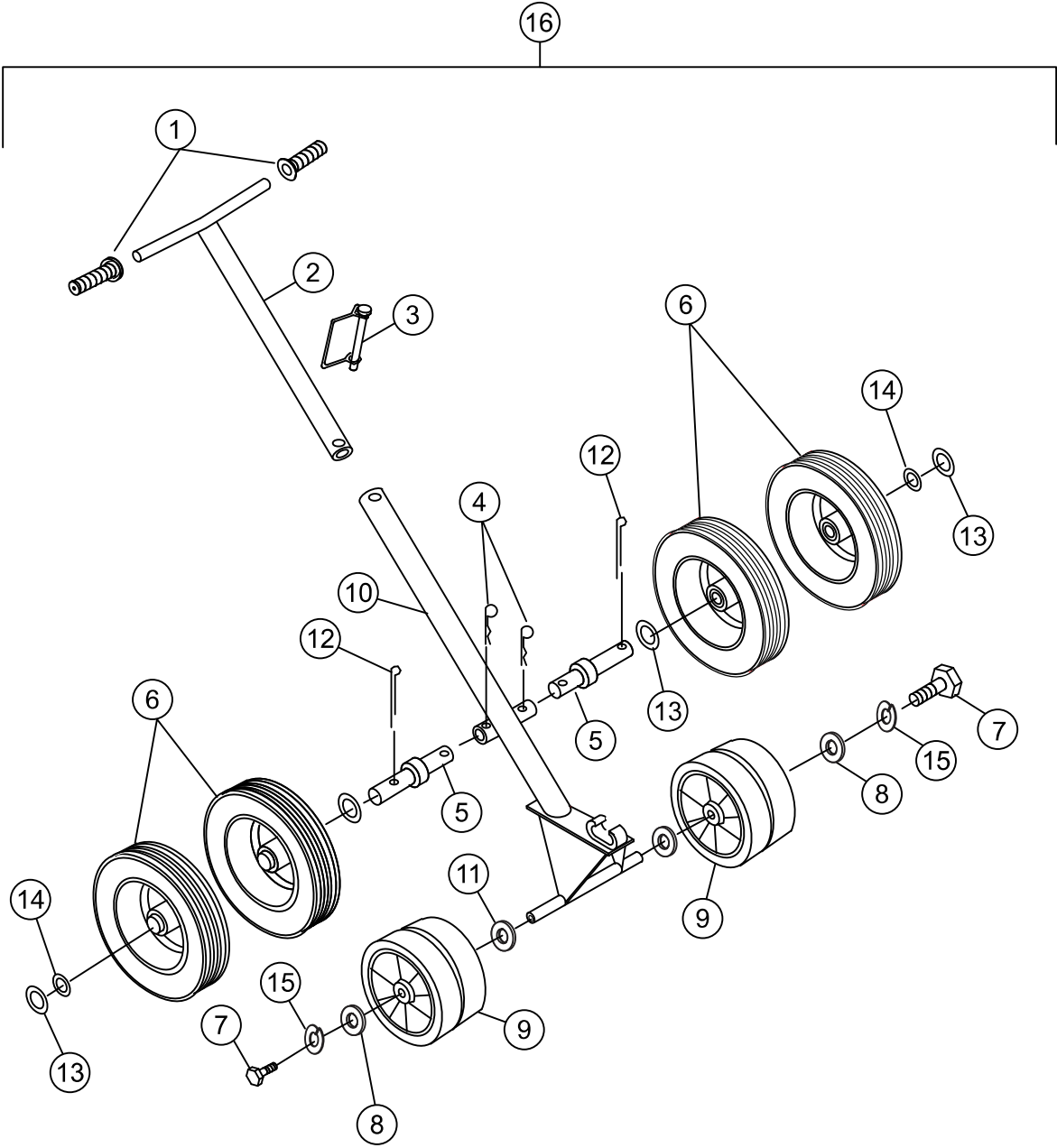
HARNES ASSY.



HARNES ASSY.

<u>NO.</u>	<u>PART NO.</u>	<u>PART NAME</u>	<u>QTY.</u>	<u>REMARKS</u>
1	24351	WIRE HARNESS, MAIN	1	
2	24342	WIRE HARNESS, REAR LIGHT	1	

EZ-MOVER AND LIFT HANDLE ASSY.



EZ-MOVER AND LIFT HANDLE ASSY.

<u>NO.</u>	<u>PART NO.</u>	<u>PART NAME</u>	<u>QTY.</u>	<u>REMARKS</u>
1#	22762	HAND GRIP	2	
2#	2336	HANDLE, UPPER	1	
3#	QS1869	PIN, SNAP	1	
4#	7170	CLIP	4	
5#	11684	AXLE, DOLLY	2	
6#	10440	WHEEL & TIRE	4	
7#	0655	SCREW, HHCS 5/16"-18 X 3/4"	2	
8#	0300 B	WASHER, FLAT 5/16"	2	
9#	2364	WHEEL, 2 X 8 MOLDED RUBBER	2	
10#	10445	93 EZ MOVER LOWER	1	
11#	4684	WASHER, FLAT 5/8"	2	
12#	0183	COTTER PIN	4	
13#	10446	WASHER, NYL. 3/4" ID. X 1-1/2" OD. X 1/16"	8	
14#	8151	WASHER, FLAT SAE 3/4"	8	
15#	0161 C	WASHER, LOCK 5/16"	2	
16	EMR2	E-Z MOVER ASSY.	1	INCLUDES ITEMS W/# SEE NOTICE BELOW

NOTICE

Purchase EZ-Mover Assembly through MQ Unit Sales.