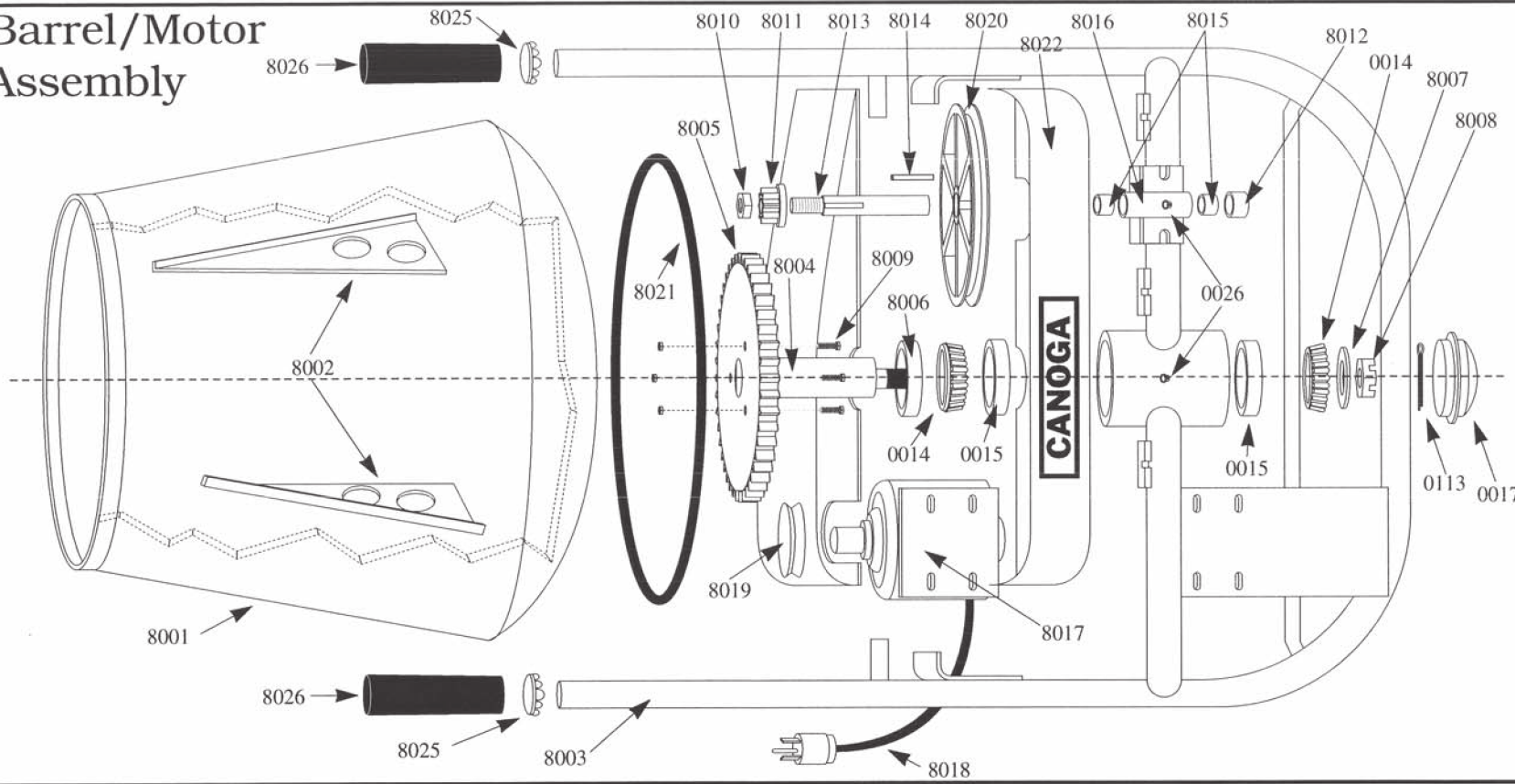
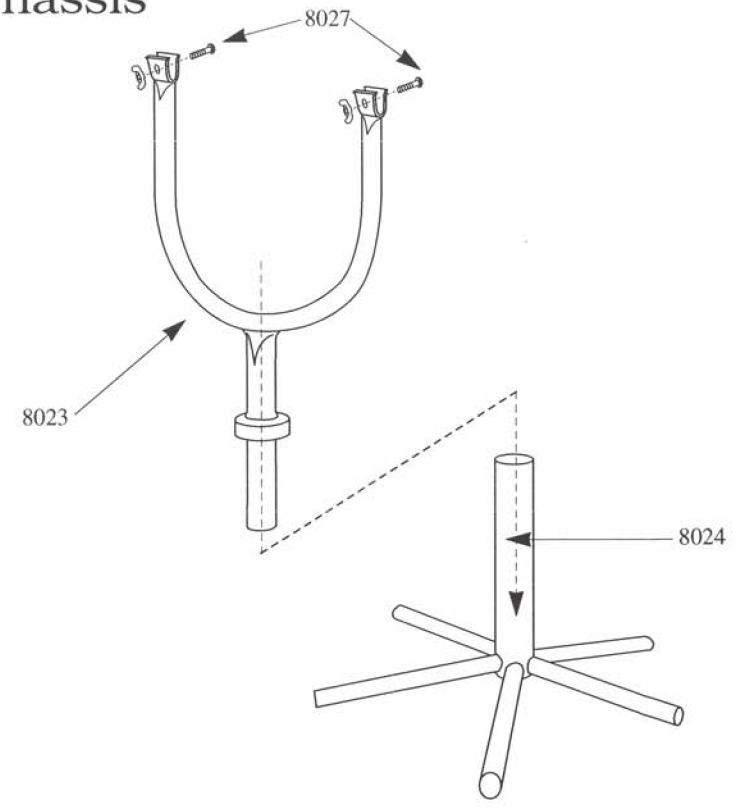


Barrel/Motor Assembly



Chassis



PART NO.	DESCRIPTION	QUANTITY REQUIRED	PART NO.	DESCRIPTION	QUANTITY REQUIRED
8001	Mixing Drum	1	8014	Square Drive Key	1
8002	Mixing Paddle	2	8015	Bronze Bushing	2
8003	Frame	1	8016	Spindle Housing w/ Bushings	1
8004	Drum Shaft & Gear	1	8017	Electric Motor w/ Power Cord	1
8005	Gear Only	1	8018	Cord & Plug Assembly	1
8006	Grease Seal	1	8019	2" Drive Pulley	1
0014	Drum Shaft Bearing	2	8020	9" Driven Pulley	1
0015	Drum Shaft Race	2	8021	V-Belt	1
8007	Drum Shaft Washer	1	0026	Grease Fitting	2
8008	Drum Shaft Slotted Nut	1	8022	Belt Guard Assembly (2 pcs)	1
0113	Cotter Pin	1	8023	Yoke	1
0017	Dust Cap	1	8024	Stand	1
8009	Drum Fastener Set	1	8025	Dump Handle Caps	2
8010	Lock Nut, Drive Gear	1	8026	Dump Handle Grips	2
8011	9 Tooth Drive Gear	1	8027	Pivot Locking Bolt & Wingnut	2
8012	3/4" Shaft Collar	1			
8013	Spindle Shaft	1			

M80 (rev. 09-20-95)