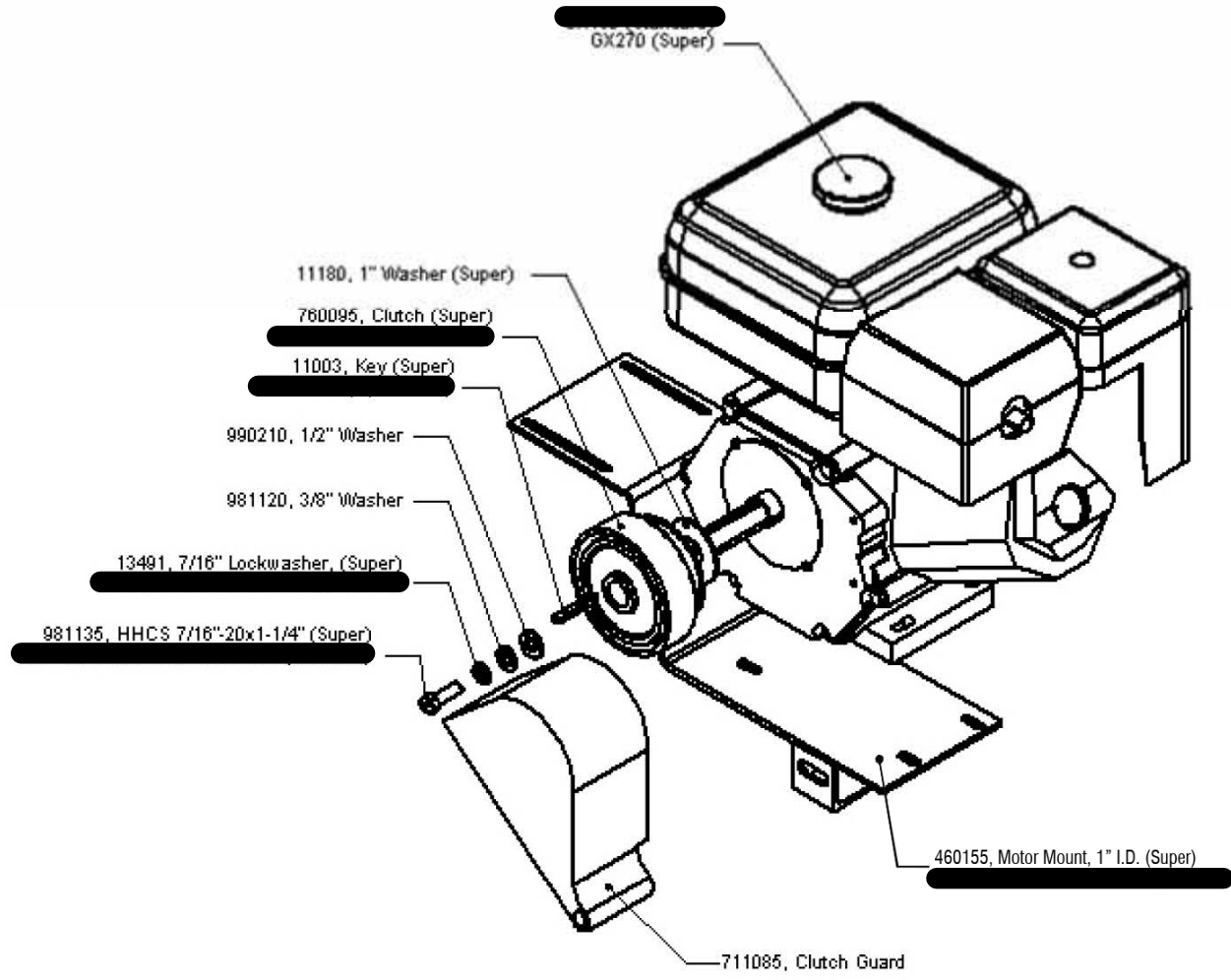


# VIBRATORY SCREED INSTRUCTION MANUAL & PARTS BOOK



Model: Screed/Super/ [REDACTED]  
 Title: Engine Assy.

Page: 2



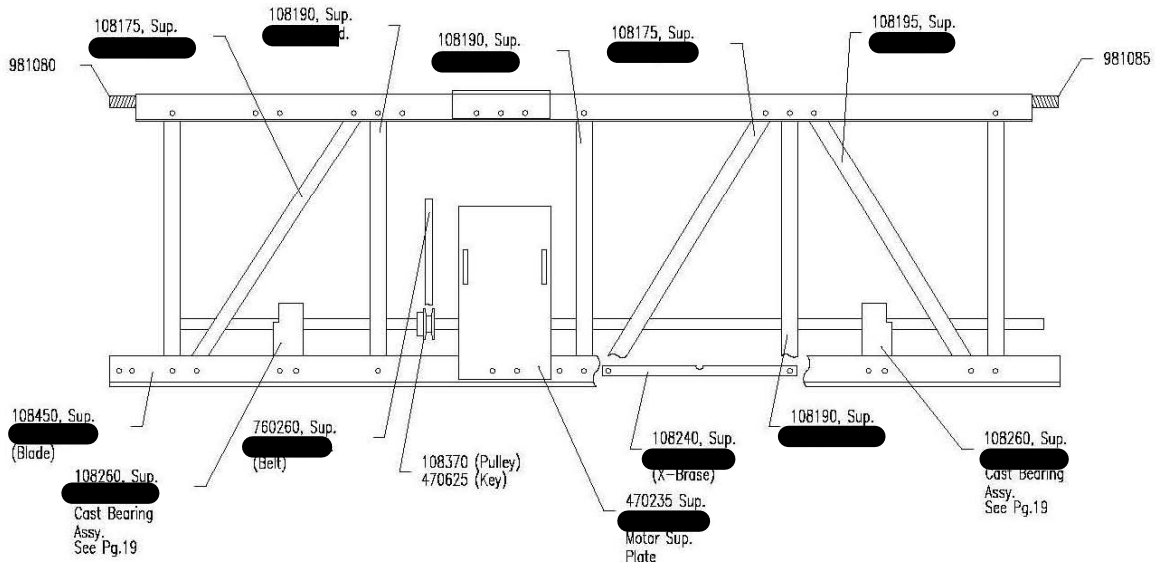
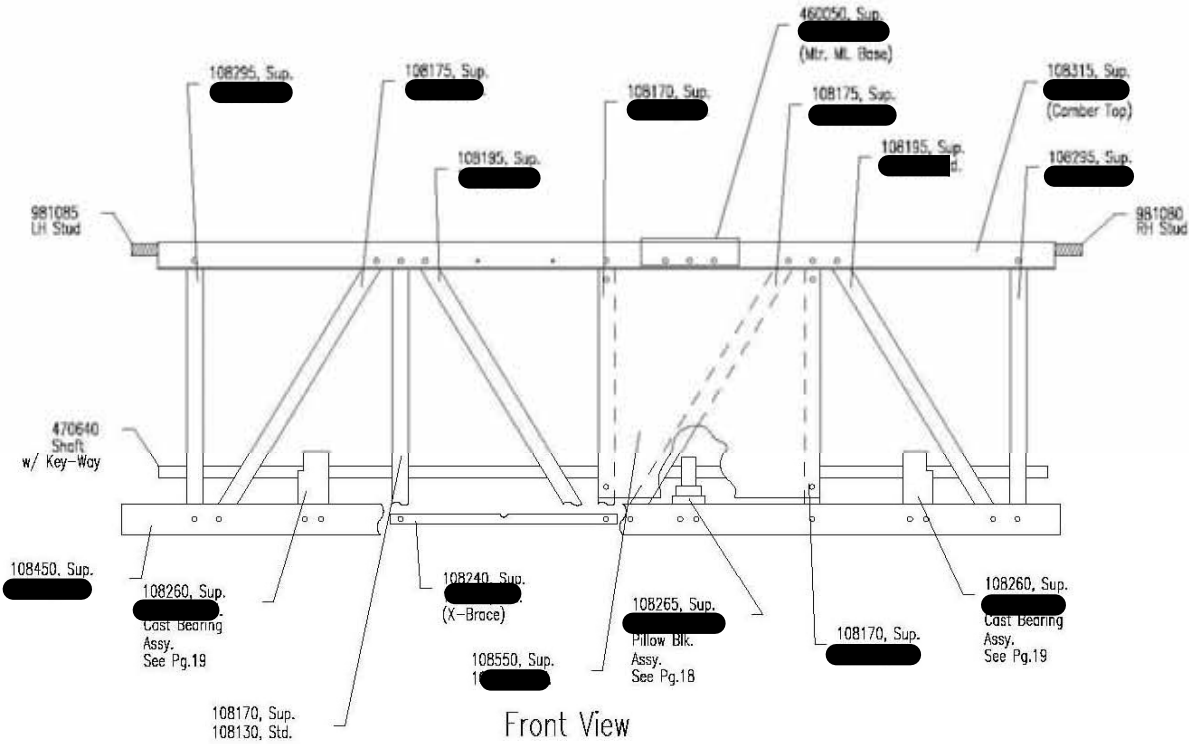
Note: Clutch orientation is shown for the engine assembly on a 10 ft base unit. Clutch orientation on a 5 ft base unit is reversed.

# VIBRATORY SCREED INSTRUCTION MANUAL & PARTS BOOK



Model: Screed/Supercourse  
 Title: 5' Base Section

Page: 3

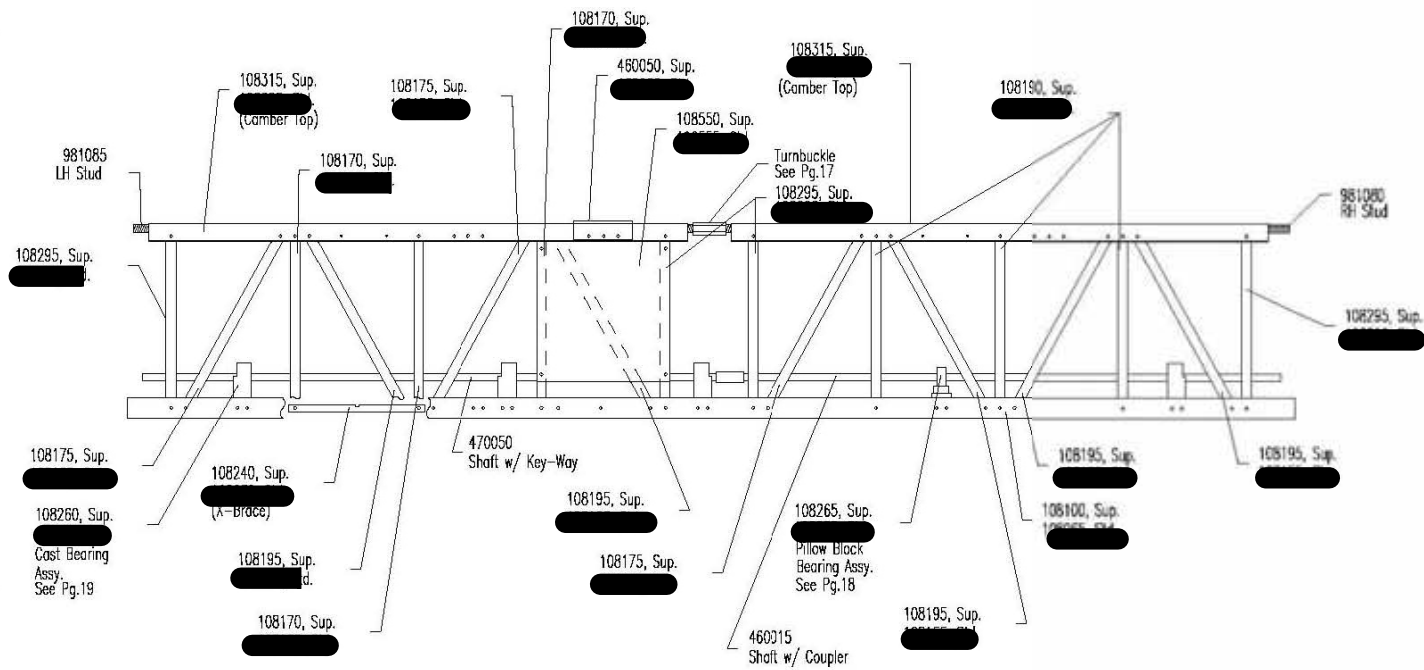




Model: Screed/Super  
 Title: 10' Base Section

Page:

4



Front View

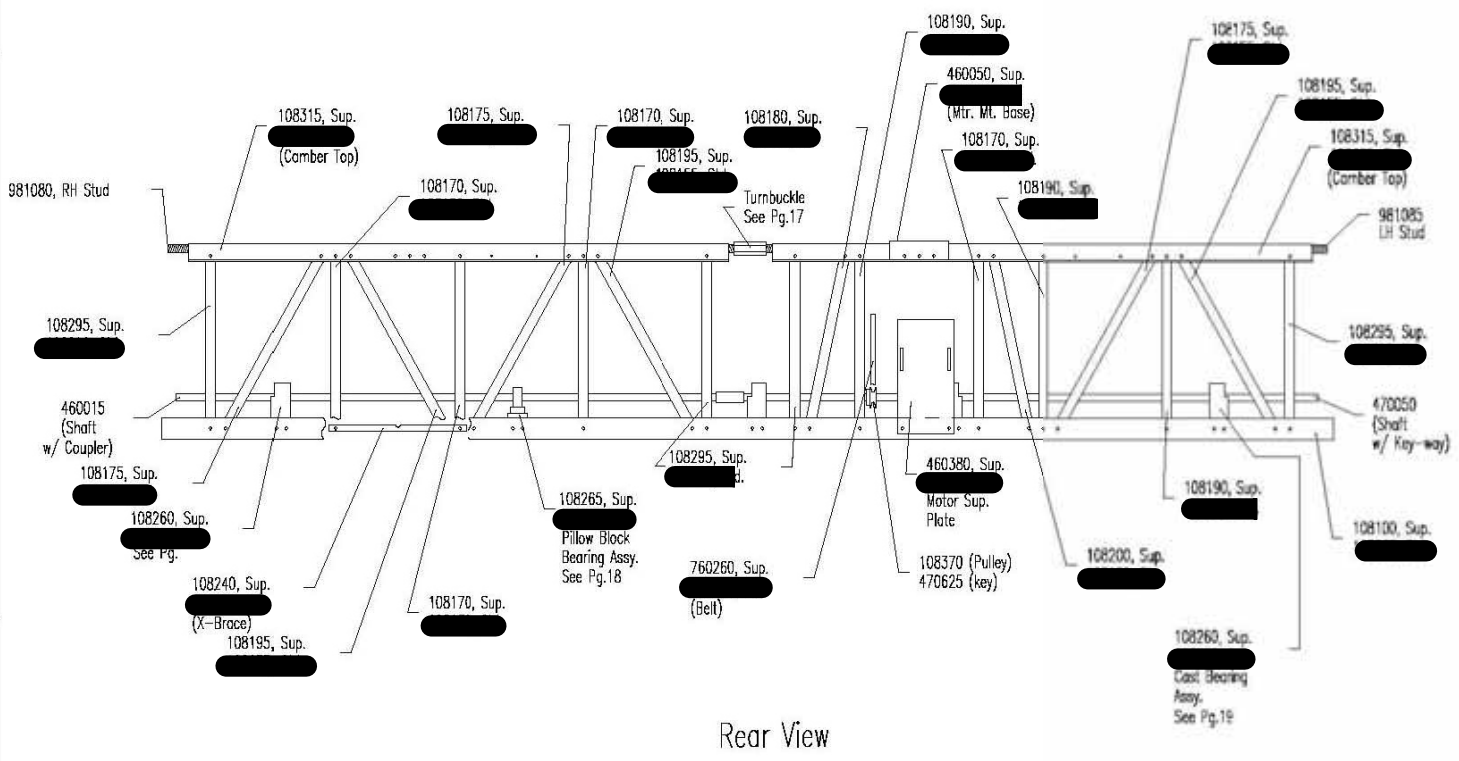


Model:  
Title:

Screed/Super  
10' Base Section

Page:

5



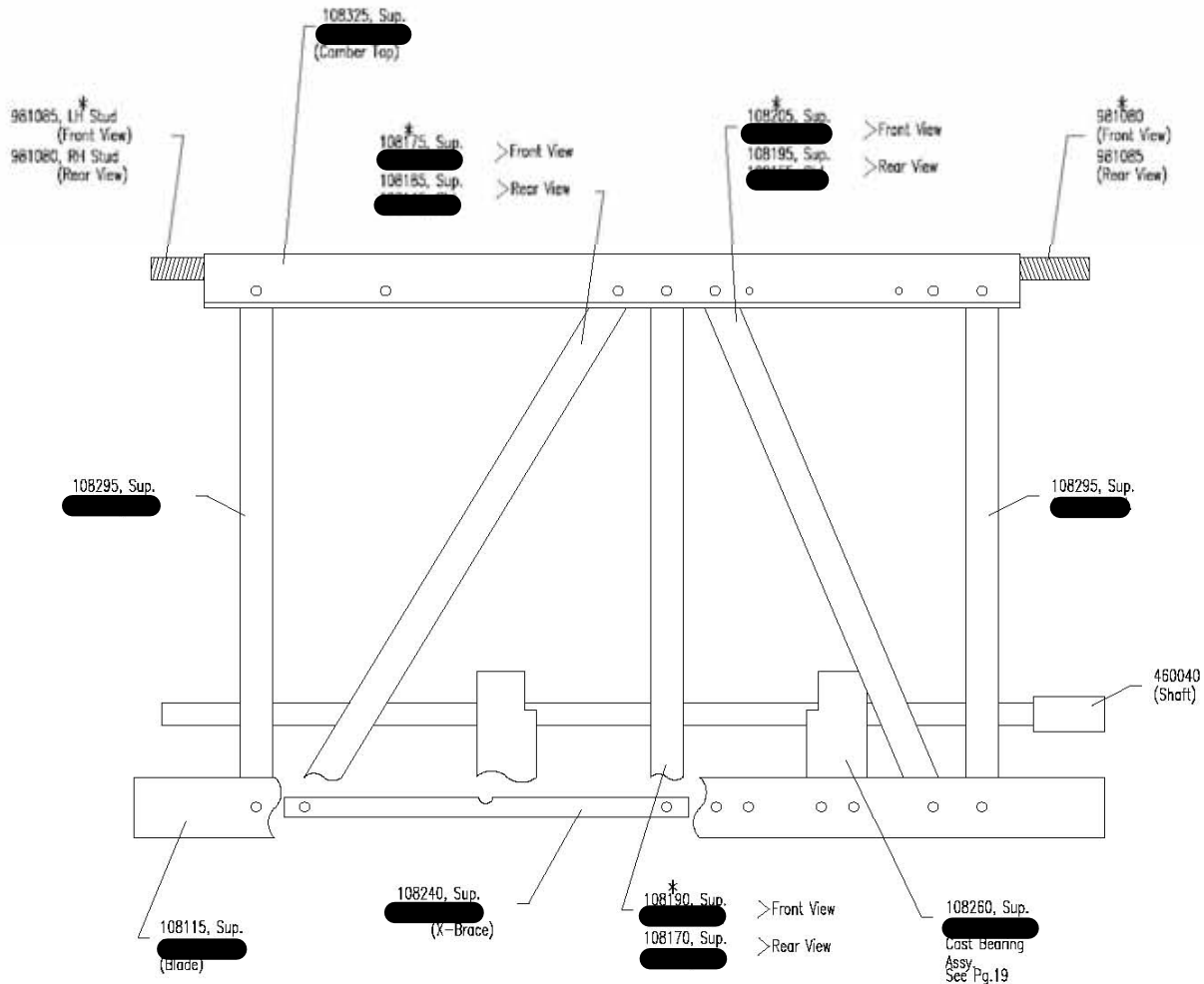
Rear View

# VIBRATORY SCREED INSTRUCTION MANUAL & PARTS BOOK



Model: Screed/Super/Standard  
 Title: 2.5' Subsection

Page: 6

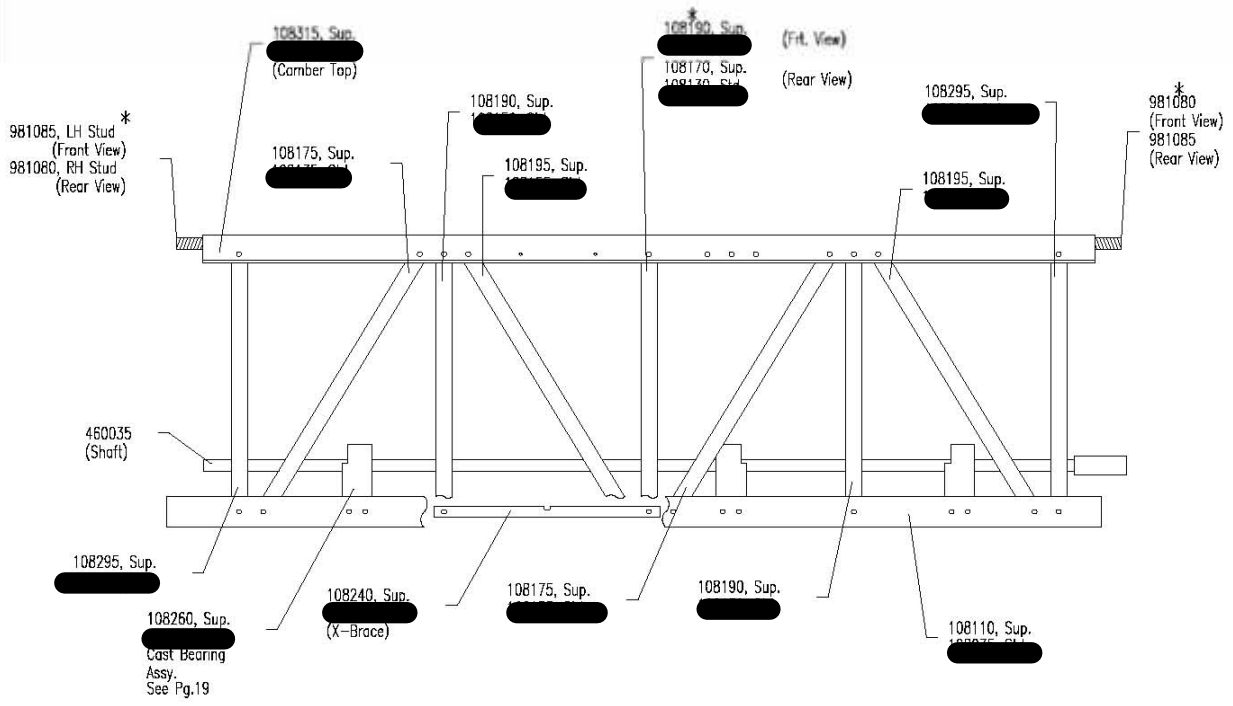


Front/Rear View  
 (Parts are identical except as noted \*)

# VIBRATORY SCREED INSTRUCTION MANUAL & PARTS BOOK



Model:	Screed/Super/ [REDACTED]	Page:	7
Title:	5' SUBSECTION		



Front/Rear View

(Parts are identical except as noted \*)

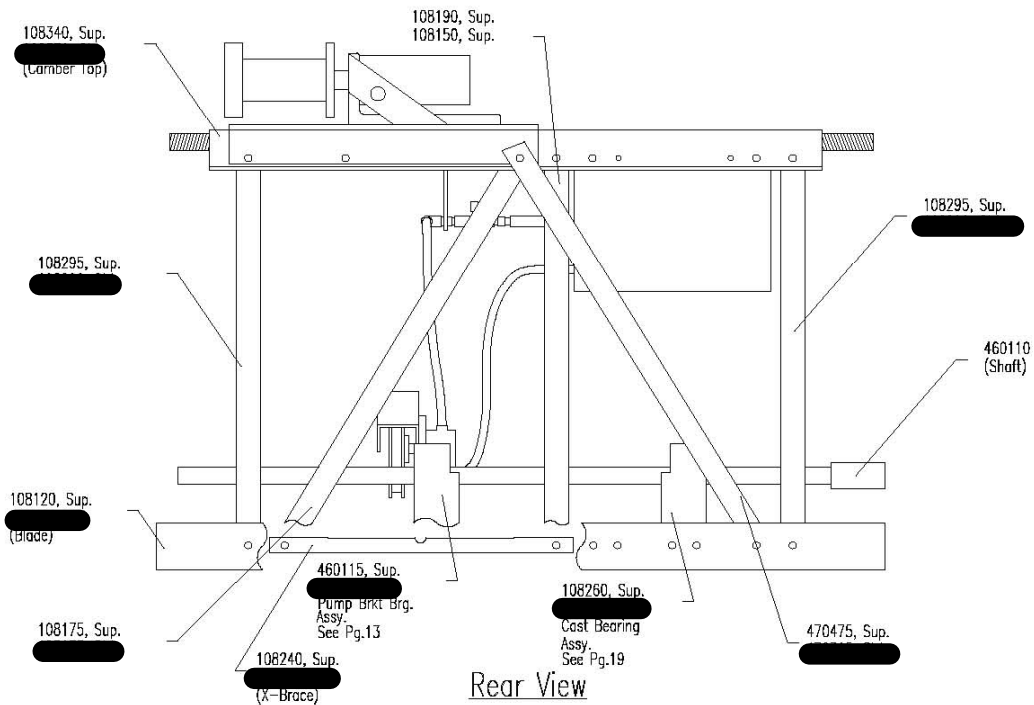
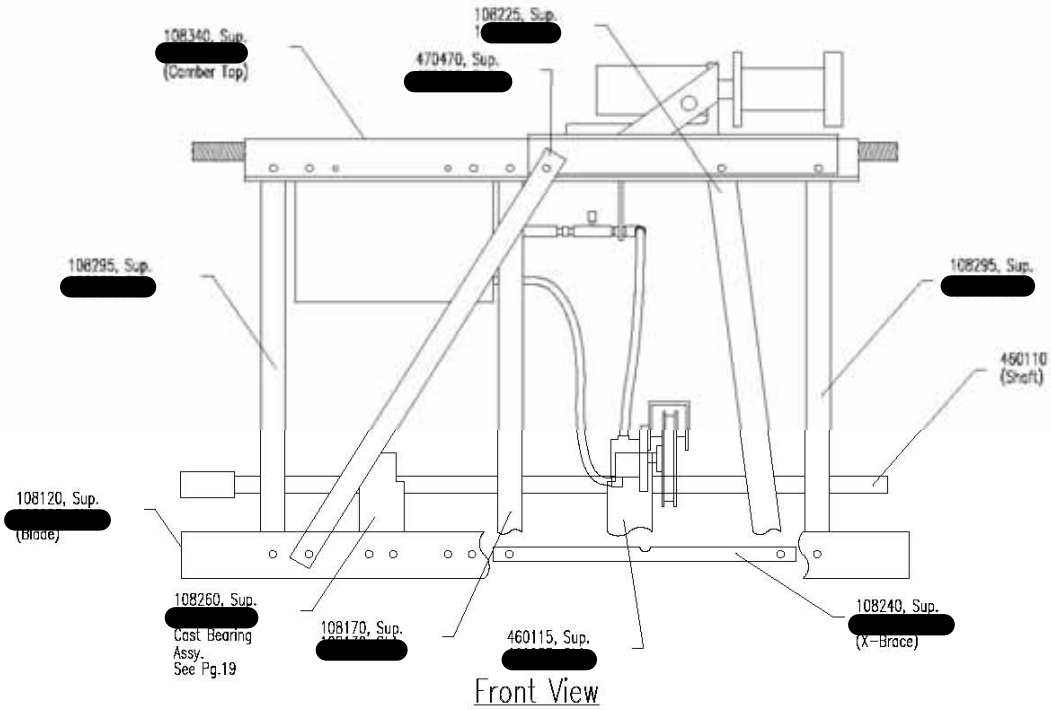


# VIBRATORY SCREED INSTRUCTION MANUAL & PARTS BOOK



Model: Screed/Super/ [REDACTED]  
 Title: Hydraulic Self-Propelled Assembly (RH)

Page: 9

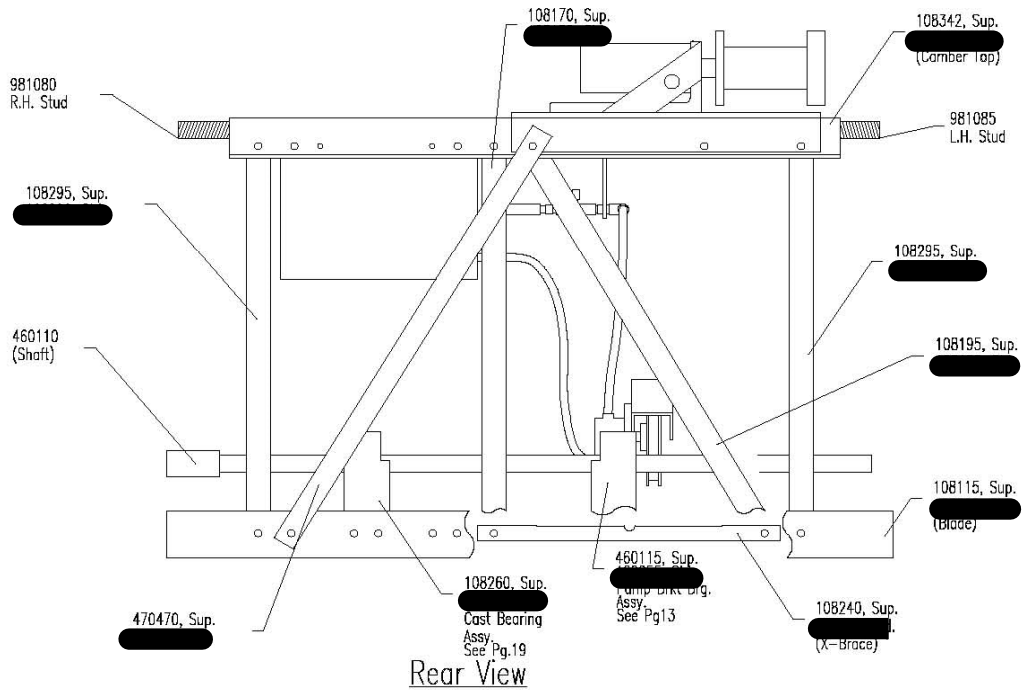
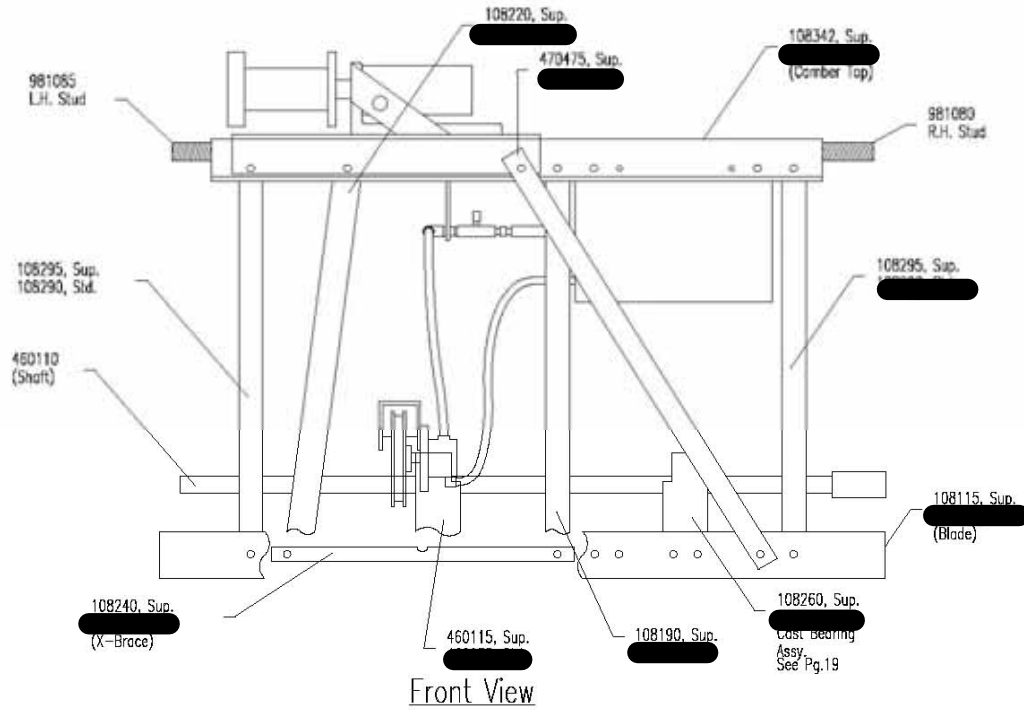


# VIBRATORY SCREED INSTRUCTION MANUAL & PARTS BOOK



Model: Screed/Super/ [REDACTED]  
 Title: Hydraulic Self-Propelled Assembly (LH)

Page: 10



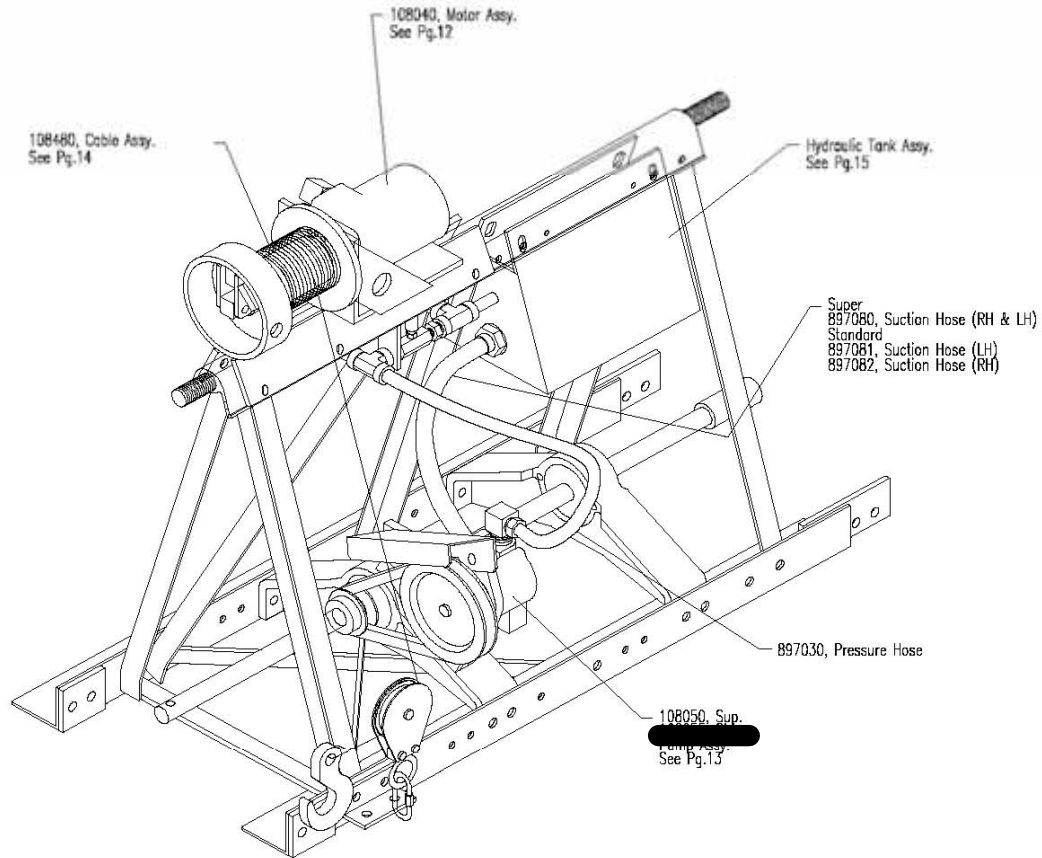
# VIBRATORY SCREED INSTRUCTION MANUAL & PARTS BOOK



Model: Screed/Super/[REDACTED]

Page: 11

Title: Self-Propelled Assembly



# VIBRATORY SCREED INSTRUCTION MANUAL & PARTS BOOK



Model:

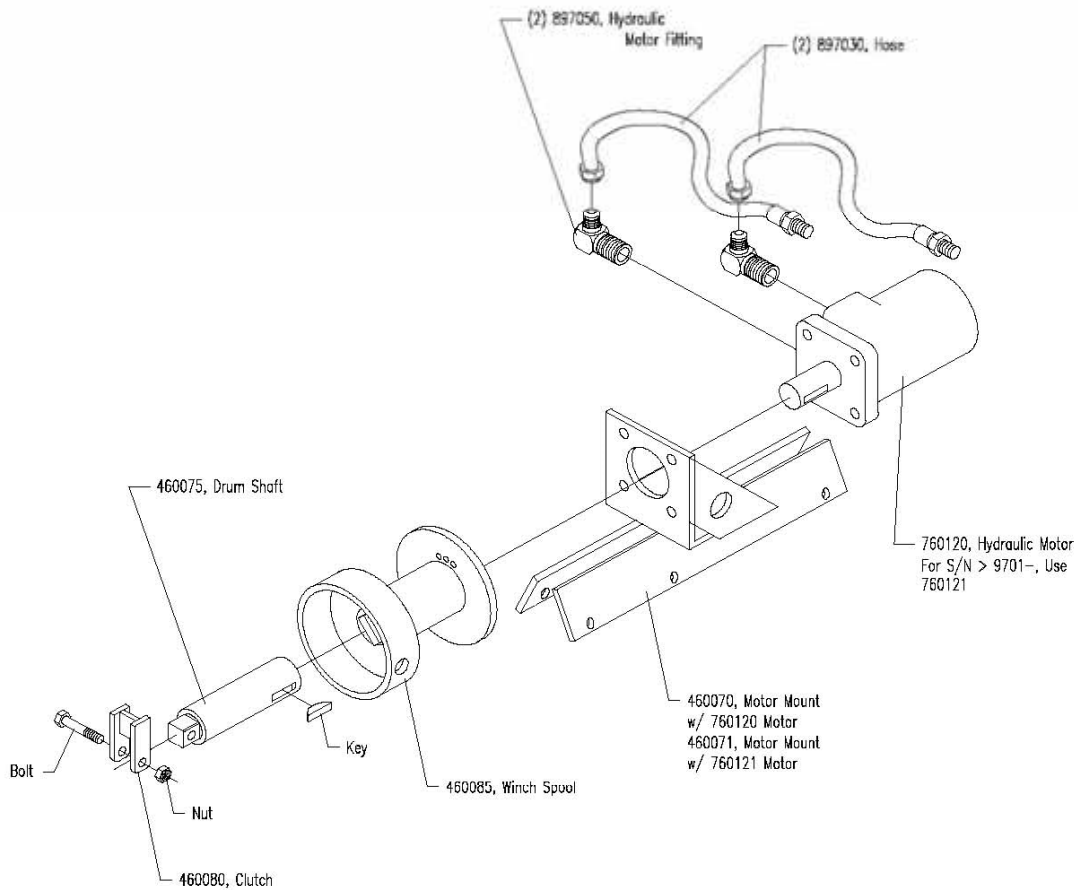
Screed/Super/

Page:

12

Title:

Motor Assembly

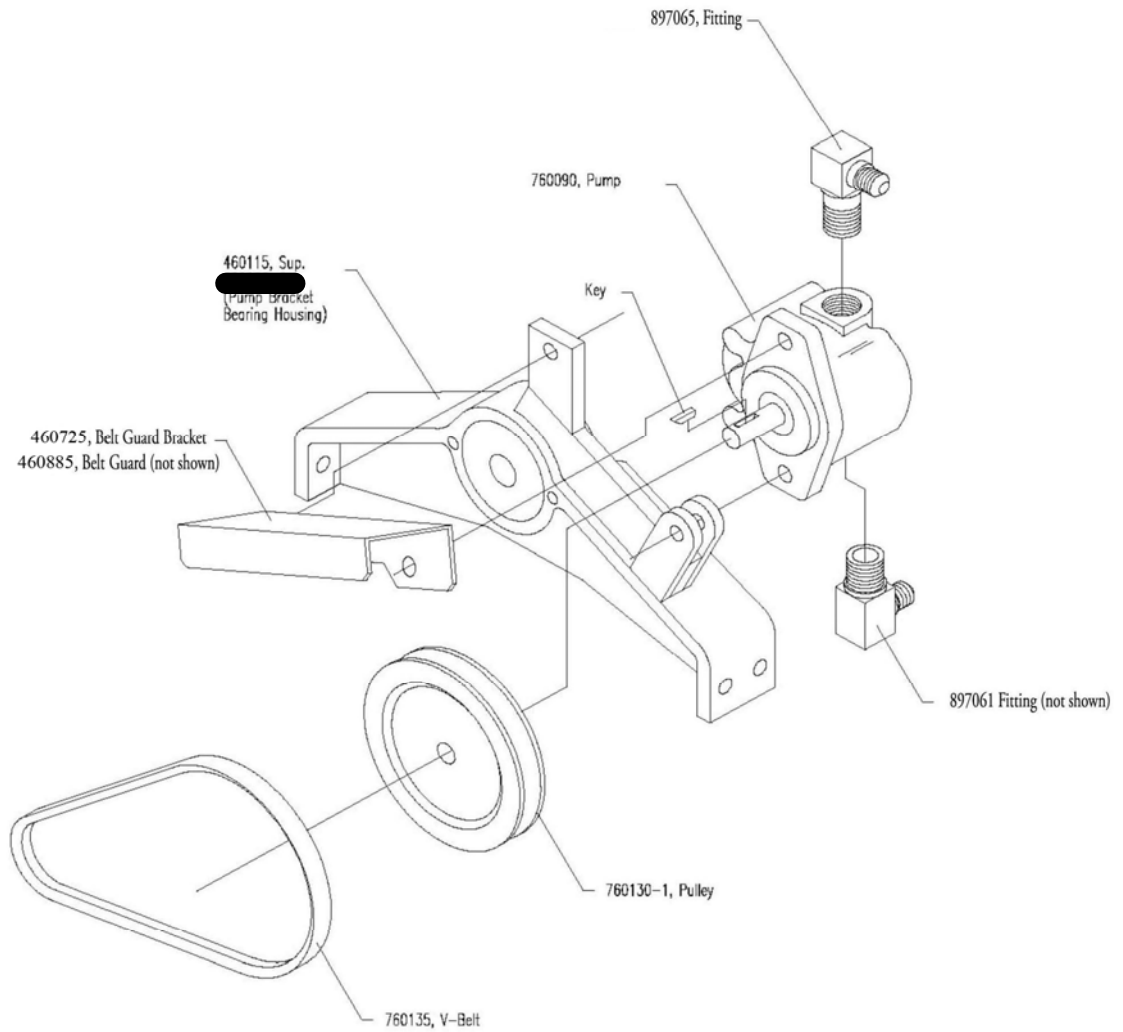


# VIBRATORY SCREED INSTRUCTION MANUAL & PARTS BOOK



Model: Screed/Super/██████████  
Title: Self-Propelled/Hydraulic Pump Assy.

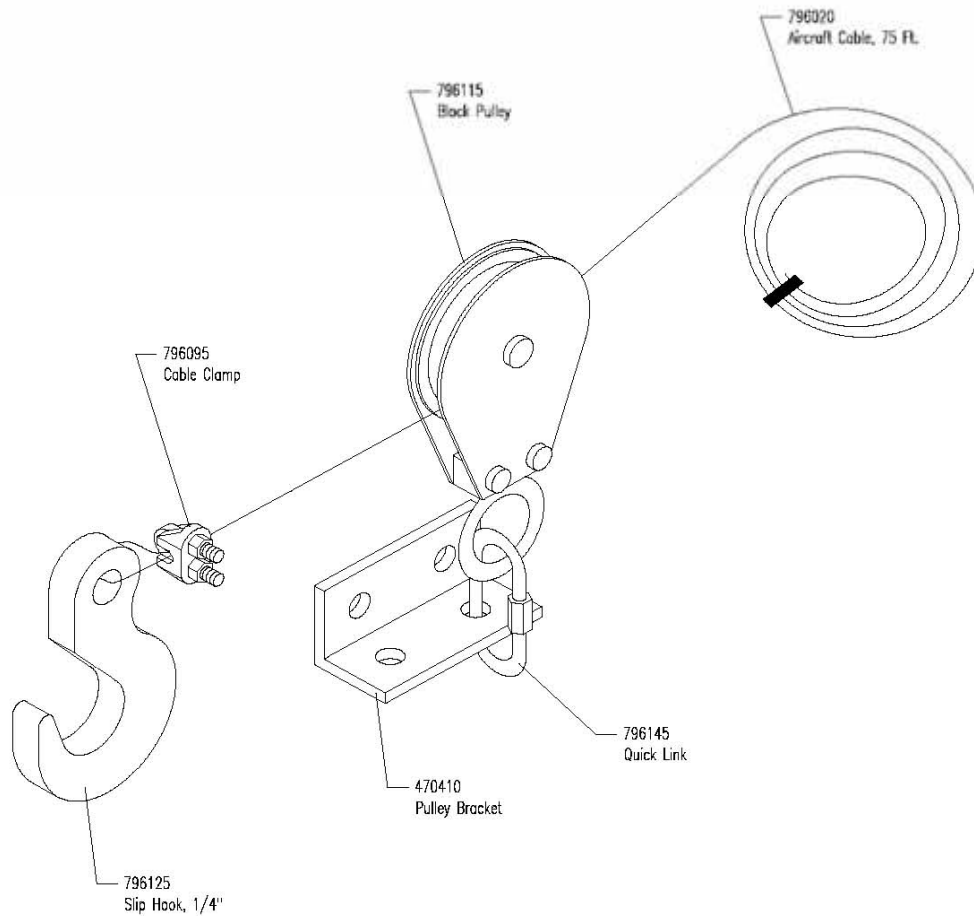
Page: 13



# VIBRATORY SCREED INSTRUCTION MANUAL & PARTS BOOK



Model:	Screed/Super/██████████	Page:	14
Title:	Self-Propelled/Hand Winch Cable Assy.		

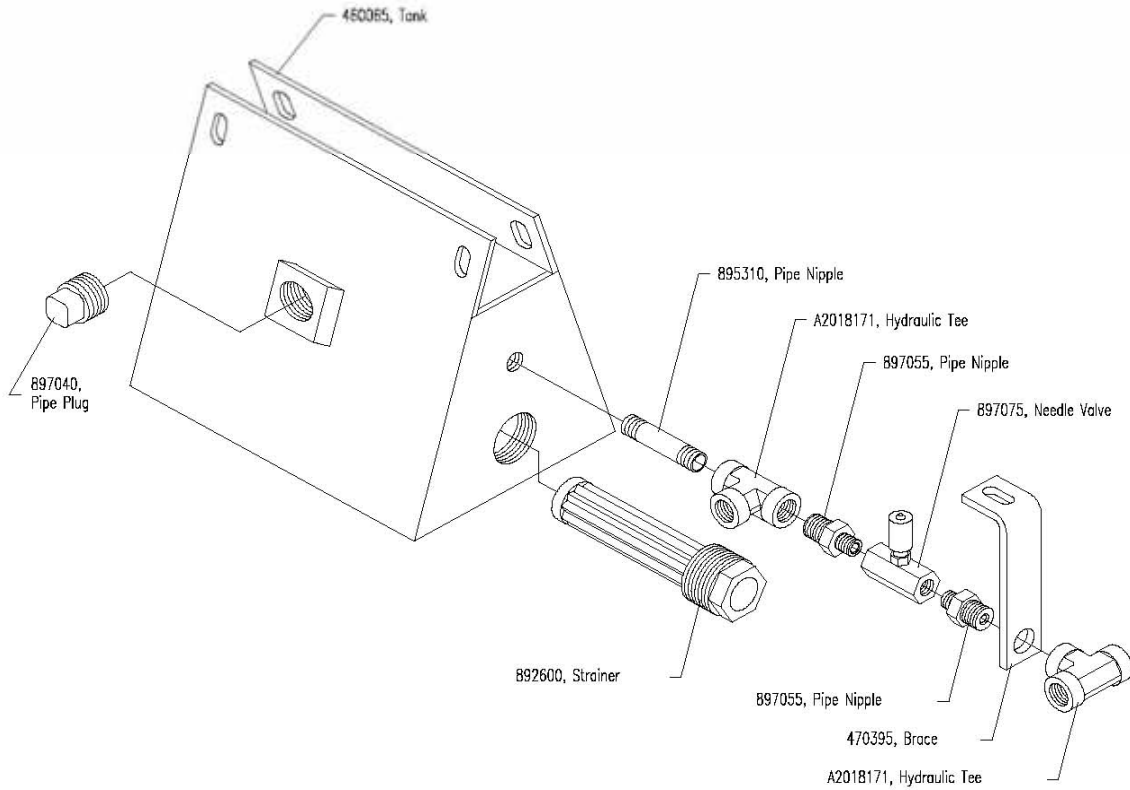


# VIBRATORY SCREED INSTRUCTION MANUAL & PARTS BOOK



Model: Screed/Super/██████████  
Title: Hydraulic Tank Assembly

Page: 15

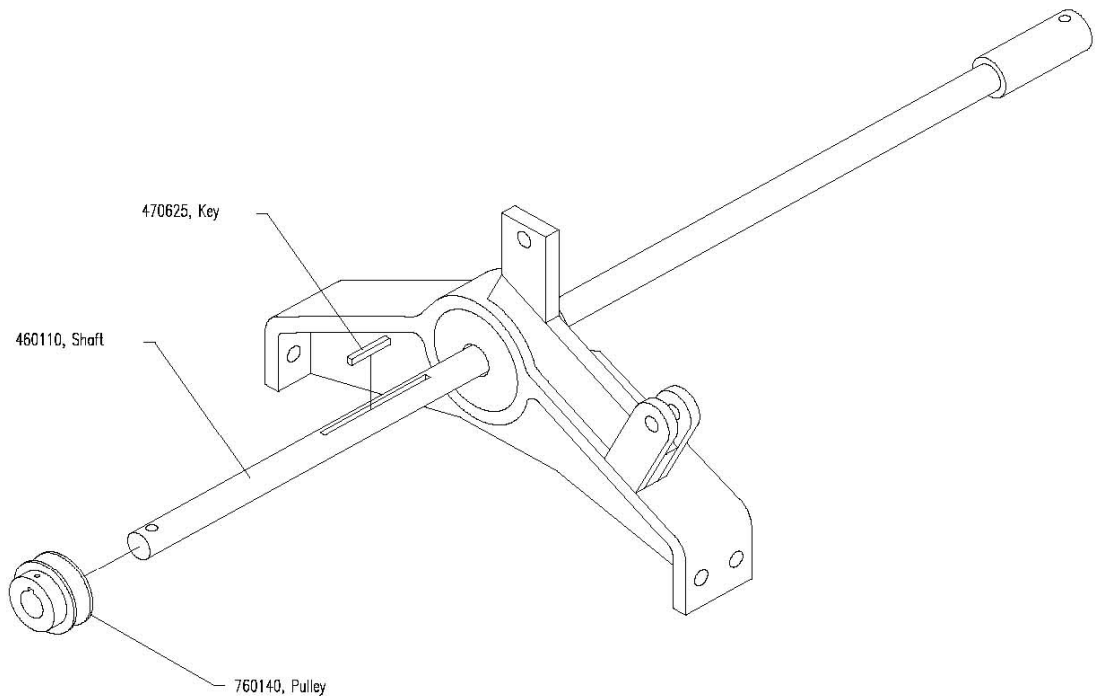


# VIBRATORY SCREED INSTRUCTION MANUAL & PARTS BOOK



Model:	Screed/Super/██████████
Title:	Self-Propelled Shaft Assy.

Page:	16
-------	----



# VIBRATORY SCREED INSTRUCTION MANUAL & PARTS BOOK



Model:

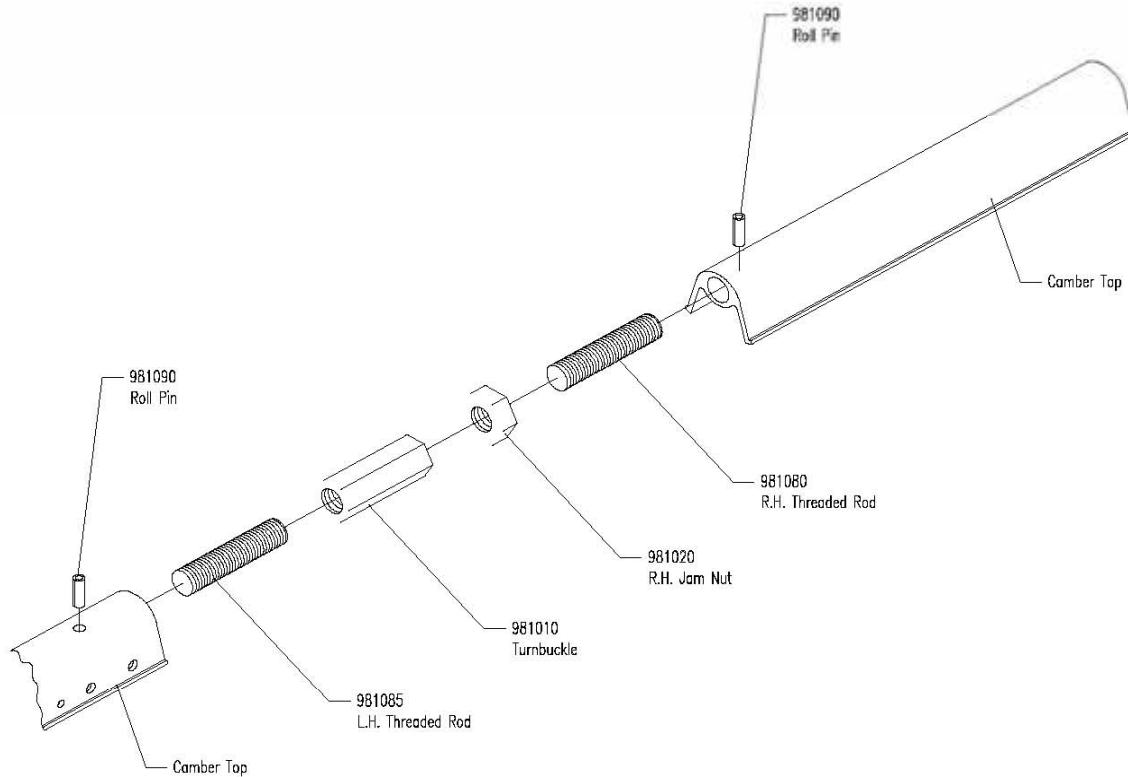
Screed/Super/

Page:

17

Title:

Turnbuckle Assembly



# VIBRATORY SCREED INSTRUCTION MANUAL & PARTS BOOK



Model:

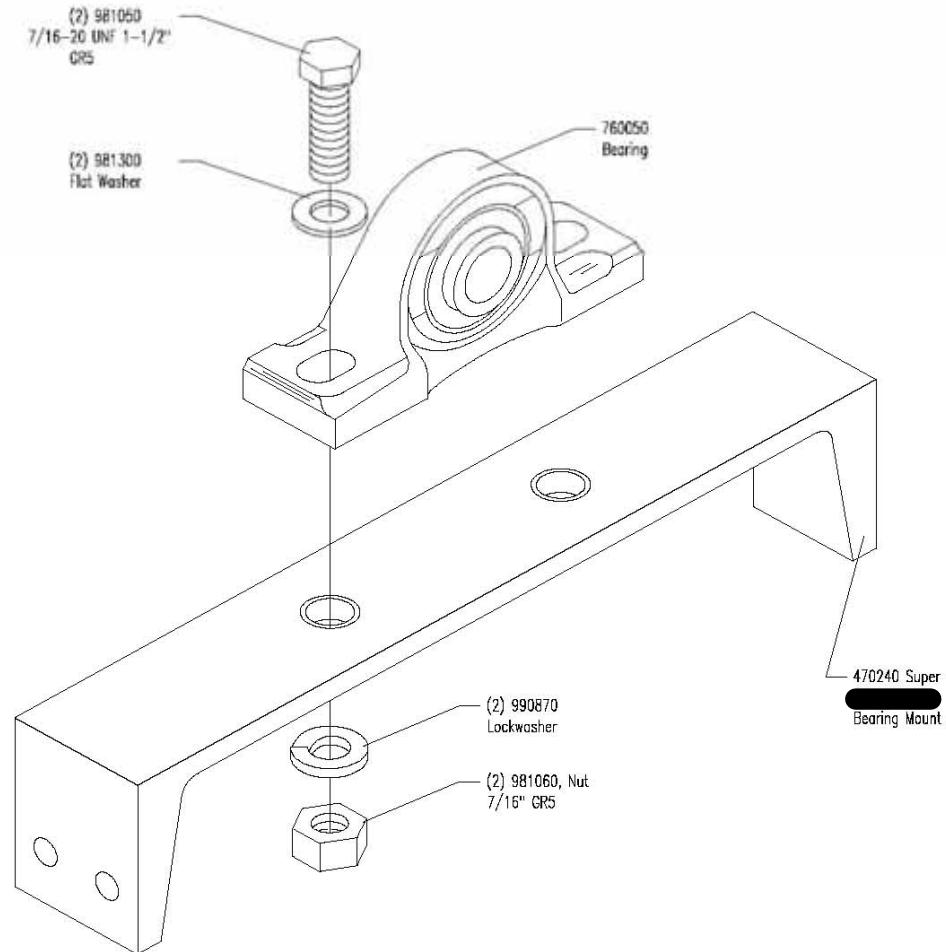
Screed/Super/

Page:

18

Title:

Pillow Block Bearing Assembly





Model:

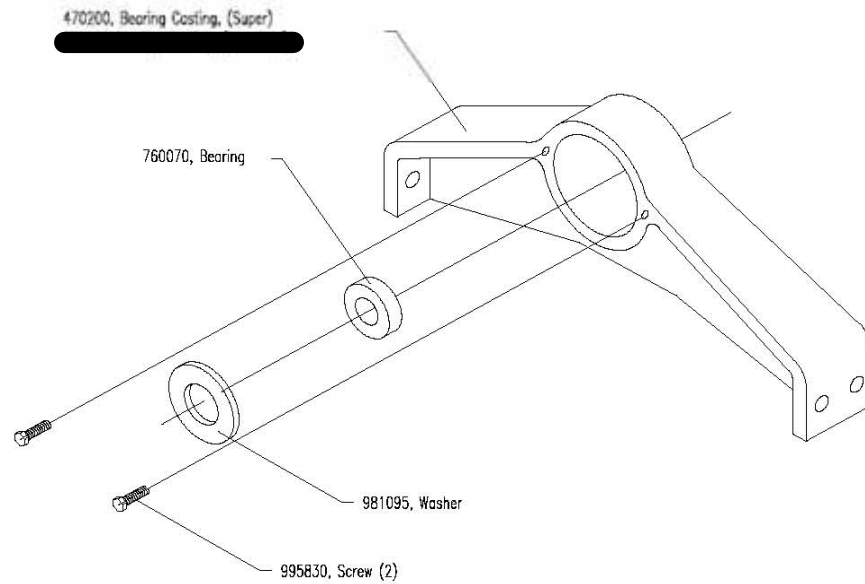
Screed/Super/[REDACTED]

Page:

19

Title:

Cast Bearing Assy.

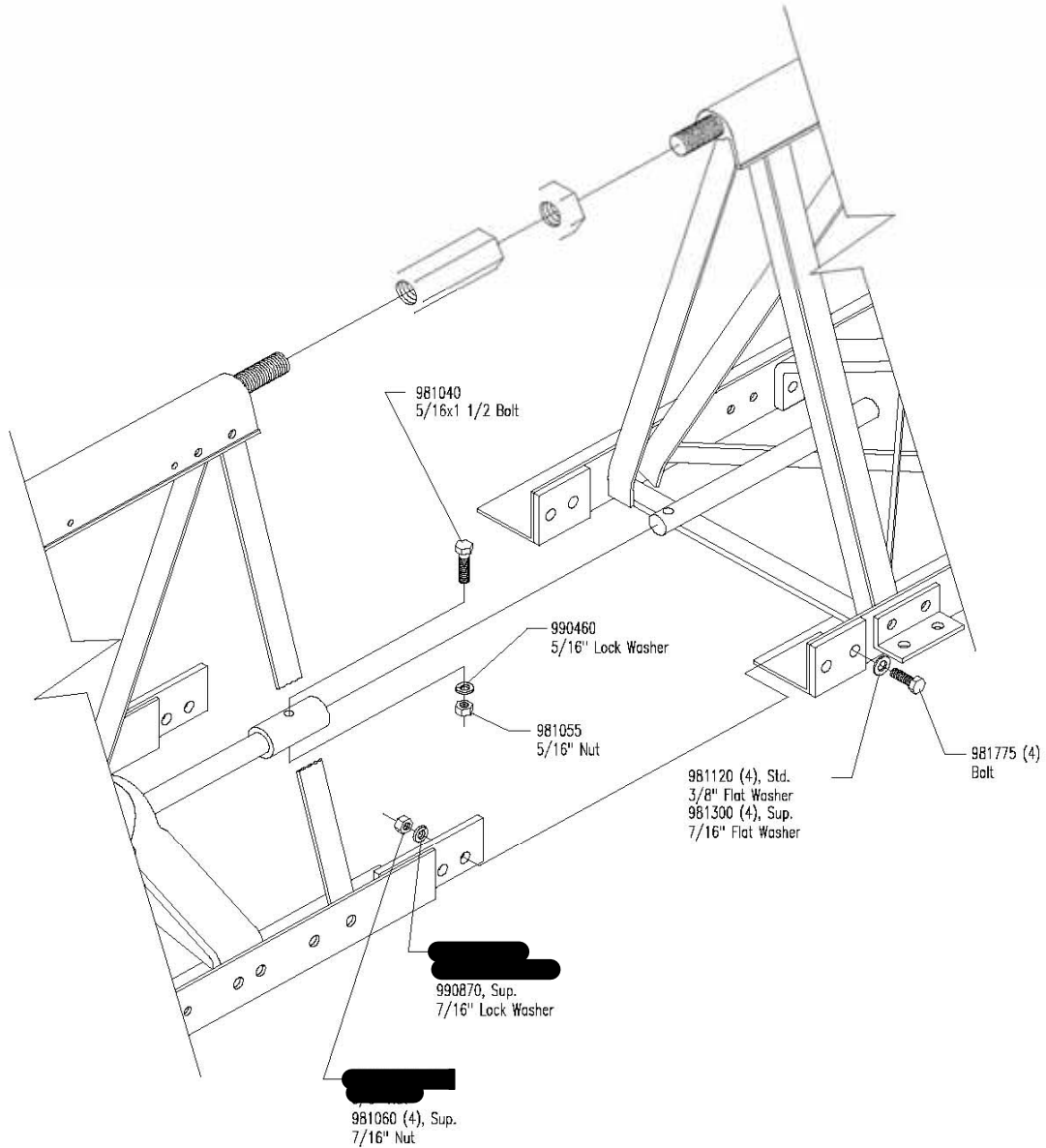


# VIBRATORY SCREED INSTRUCTION MANUAL & PARTS BOOK



Model: Screed/Super/ [REDACTED]  
 Title: Connecting Hardware

Page: 20

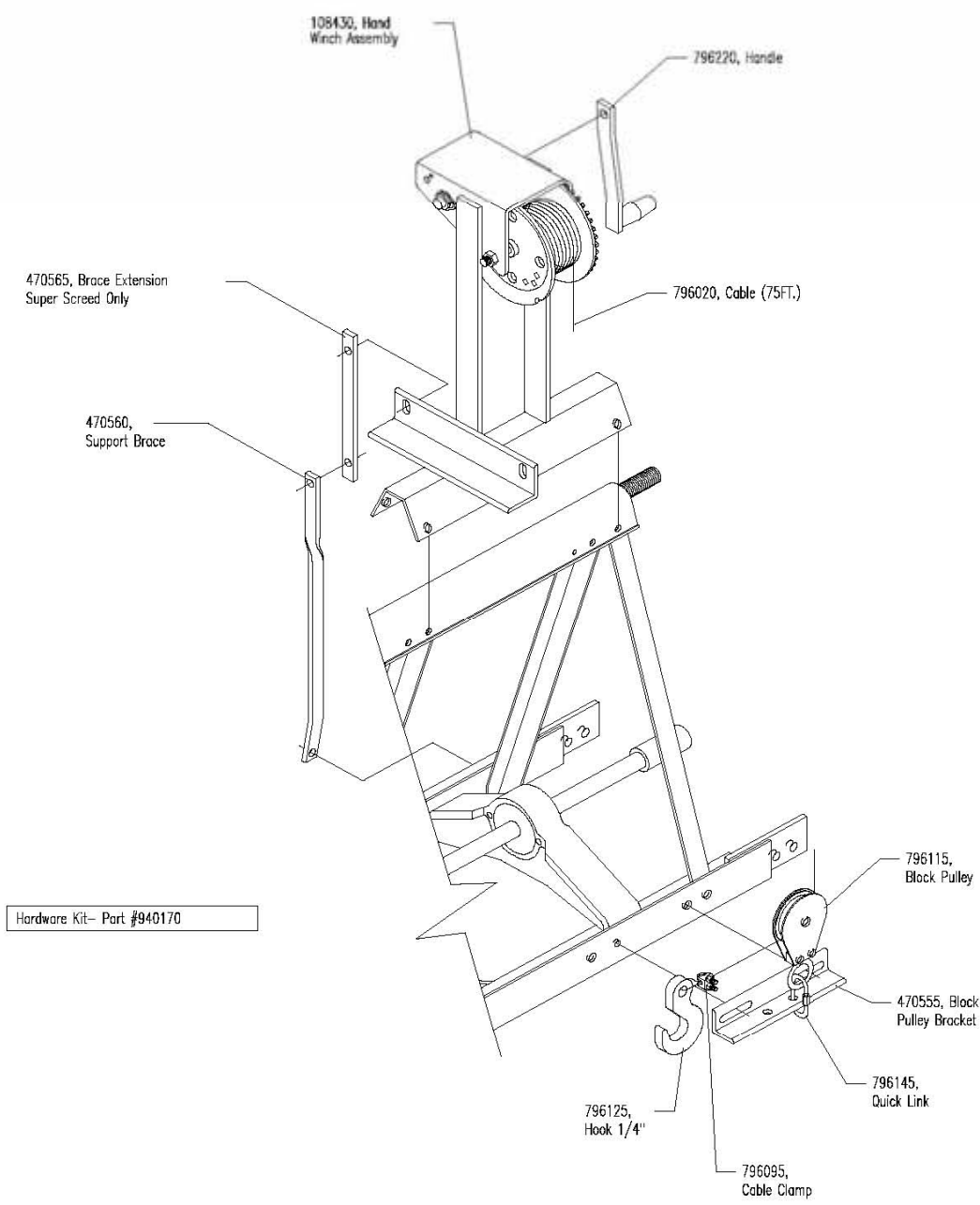


# VIBRATORY SCREED INSTRUCTION MANUAL & PARTS BOOK



Model: Screed/Super/██████████  
Title: Hand Winch Assembly

Page: 21



# VIBRATORY SCREED INSTRUCTION MANUAL & PARTS BOOK



Model: Screed/Super/ [REDACTED]  
Title: End Adaptor Assy.

Page: 22

