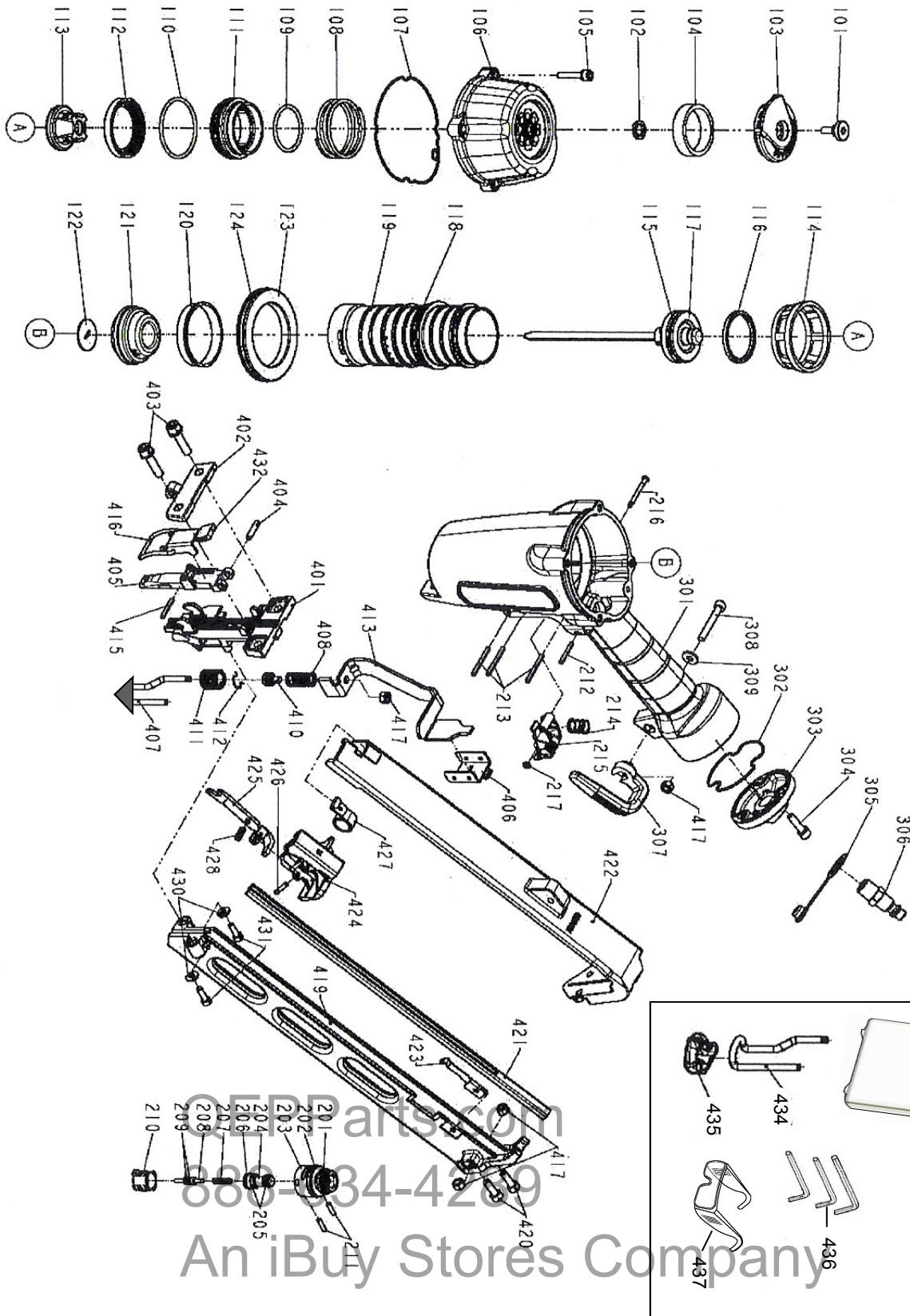


# EXPLODED VIEW—462A



## MODEL 462A - PARTS LISTING

ITEM NO.	PART NO.	DESCRIPTION	ITEM NO.	PART NO.	DESCRIPTION
101	46501	Deflector Bolt (3M2353)	304	46546	Bolt Assy
102	46502	Rubber Pad	305	46547	Air Plug Cap
103	46503	Deflector	306	46548	Air Plug
104	46504	Muffler	307	46549	Spring Retainer
105	46506	Bolt Assy	308	46550	Hex. Soc. Hd. Bolt
106	46507	Cap	309	46551	Flat Washer
107	46508	Packing	401	46552	Driver Guide
108	46509	Compression Ring	402	46553	Driver guide Cover B
109	46010	O-Ring	403	46554	Bolt Assy
110	46511	O-Ring	404	46555	Fixed Pin
111	46512	HD. Valve Piston	405	46556	Driver Guide Cover A
112	46513	Collar	406	46557	Safety Guide
113	46514	Seal	407	46558	Safety (V-Tech)
114	46515	Cylinder Press Ring	408	46559	Safety Spring
115	46516	O-Ring	410	46560	Link Rod
116	46517	Piston Ring	411	46561	Adjust Axle
117	46518	Driver Nut	412	46562	Ring
118	46519	O-Ring	413	46563	Safety B
119	46520	Cylinder	415	46564	Spiral Pins
120	46521	Cylinder Ring	416	46565	Nose Latch
121	46522	Bumper	417	46567	Lock Nut
122	46523	Driver Guide	419	46568	Magazine A
123	46524	Cylinder Spacer	420	46569	Hex. Soc. Hd. Bolt
124	46525	O-Ring	421	46560	Steel Channel
201	46526	O-Ring	422	46561	Magazine B
202	46527	O-Ring	423	46562	Stop Nail Plate
203	46528	Plunger Cap	424	46563	Protecting Hood Cover
204	46529	Valve Plunger	425	46564	Pusher Finger
205	46530	O-Ring	426	46565	Spring Pin
206	46531	O-Ring	427	46566	Spring Unit
207	46532	Spring	428	46567	Pusher Spring
208	46533	Plunger	430	46568	Flat Washer
209	46534	O-Ring	431	46569	Hex. Soc. Hd. Bolt
210	46535	Trigger Valve Head	432	46570	Pusher Cushion
211	46536	Spring Pin	433	46571	Carry Case
212	46537	Spring Pin	434	46572	Conventional Safety
213	46538	Spring Pin	435	46573	Protective Casing
214	46539	Spring	436	46574	Wrench Set
215	46540	Trigger Unit	437	46575	Safety Glasses
216	46541	Trigger Pivot Pin	438	46576	Lubricant (not shown)
217	46542	Urethane Retainer	439	46577	Owners Manual
301	46543	Gun Body Unit			
302	46544	Gasket			
303	46545	End Cap			