

**Direct-Vent Gas
Fireplace Heater Inserts**

P/N 775,157M Rev. J, 12/2007

**Installer: Leave This Manual With The Appliance.
Consumer: Retain This Manual For Future Reference.**



A French manual is available upon request. Order P/N 775,157CF.
Ce manuel d'installation est disponible en français, simplement
en faire la demande. Numéro de la pièce 775,157CF.

Tested &
Listed By  Beaverton
Oregon USA
OMNI-Test Laboratories, Inc.
Report No. 116-F-14-5

Models: EDVI25, EDVI30 & EDVI35



⚠ WARNINGS

- **Hot! Do not touch!** The glass and surfaces of this appliance will be hot during operation and will retain heat for a while after shutting off the appliance. Severe burns may result.
- **Carefully supervise children** in the same room as appliance.
- **If small children are present in the home, it is recommended that this appliance be fitted with a screen door or screen panel kit. See Page 14 for ordering information.**
- **Suitable for installation into masonry or factory built fireplaces.**
- **Lennox™ gas-burning appliances are designed for use as a supplemental heater. They are not intended for continuous use as a primary heat source.**

WARNING: If the information in this manual is not followed exactly, a fire or explosion may result causing property damage, personal injury or loss of life.

Do not store or use gasoline or other flammable vapors or liquids in the vicinity of this or any other appliance.

WHAT TO DO IF YOU SMELL GAS:

- Do not light any appliance.
- Do not touch any electrical switch; do not use any phone in your building.
- Immediately call your gas supplier from a neighbor's phone. Follow your gas supplier's instructions.
- If your gas supplier cannot be reached, call the fire department.

Installation and service must be performed by a qualified installer, service agency or the gas supplier.

AVERTISSEMENT: Assurez-vous de bien suivre les instructions donné dans cette notice pour réduire au minimum le risque d'incendie ou pour éviter tout dommage matériel, toute blessure ou la mort.

POUR VOTRE SÉCURITÉ: Ne pas entreposer ni utiliser d'essence ni d'autre vapeurs ou liquides inflammables dans le voisinage de cet appareil ou de tout autre appareil.

POUR VOTRE SÉCURITÉ: Que faire si vous sentez une odeur de gaz:

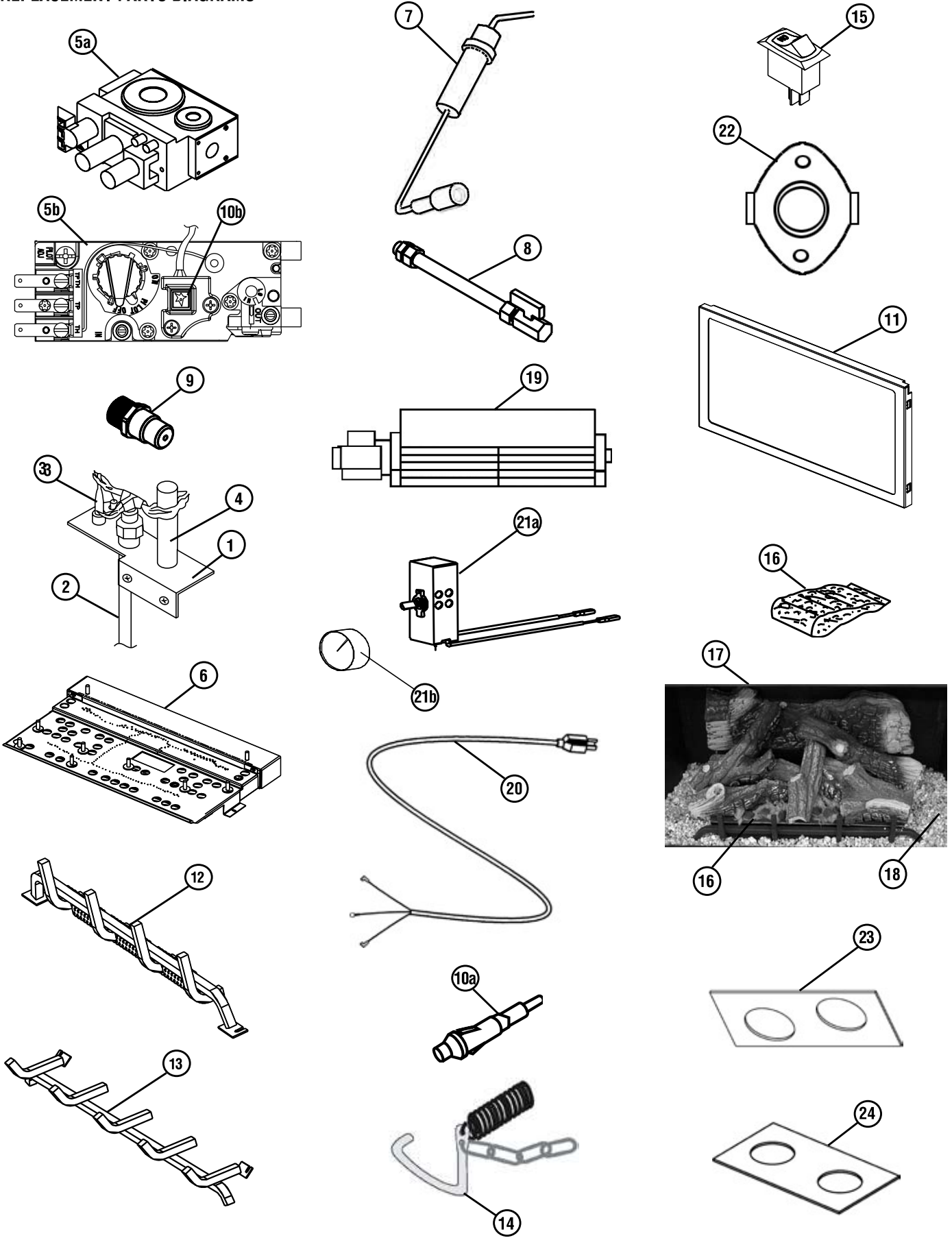
- Ne pas tenter d'allumer d'appareil.
- Ne touchez à aucun interrupteur. Ne pas vous servir des téléphones se trouvant dans le bâtiment où vous vous trouvez.
- Evacuez la pièce, le bâtiment ou la zone.
- Appelez immédiatement votre fournisseur de gaz depuis un voisin. Suivez les instructions du fournisseur.
- Si vous ne pouvez rejoindre le fournisseur de gaz, appelez le service des incendies.

L'installation et service doit être exécuté par un qualifié installateur, agence de service ou le fournisseur de gaz.

REPLACEMENT PARTS LIST

Gas Controls			
Item #	Part/Cat. No.	Description	Where Used
1	67L70	Pilot Assembly, NG/LP	All
2	67L68	Pilot Tube	All
3	67L67	Thermocouple	All
4	60J79	Thermopile (pilot generator)	All
10a	10K86	Piezo Igniter (wire not included)	EDVI25
10b	24M89	Piezo Igniter (wire included)	EDVI30 & EDVI35
7	67L87	Electrode Cable (piezo igniter wire w/ electrode)	All
5a	H1657	Gas Valve, NG – SIT	EDVI25
5b	H6196	Gas Valve, NG – Honeywell	EDVI30 & EDVI35
Misc. Gas Components			
6	H1127	Burner Assembly NG/LP	EDVI25 & EDVI30
6	H1160	Burner Assembly NG/LP	EDVI35
	H0920	GCKNL-E30I, Conversion Kit, NG to LP	EDVI30
	H0921	GCKNL-E35I, Conversion Kit, NG to LP	EDVI35
	H1576	GCKNL-E25I, Conversion Kit, NG to LP	EDVI25
8	93L32	Connector-Flex Gas	ALL
9	21L79	Orifice, Burner, NG (.#41)	EDVI25
9	24M10	Orifice, Burner, NG (.#37)	EDVI30
9	99K77	Orifice, Burner, NG (#33)	EDVI35
9	39L10	Orifice, Burner, LP (#53)	EDVI25
9	21L01	Orifice, Burner, LP (.0625)	EDVI30
9	H0922	Orifice, Burner, LP (#51)	EDVI35
Miscellaneous Parts			
11	H1585	Door Kit, Complete	EDVI25
11	H0923	Door Kit, Complete	EDVI30
11	H0924	Door Kit, Complete	EDVI35
23	H1393	Gasket, Flue Adapter	EDVI25
24	H6236	Gasket, Flue Adapter	EDVI30 & EDVI35
12	H0928	Grate Assembly	EDVI25 & EDVI30
13	H0927	Grate Assembly	EDVI35
14	H0929	Lock Assembly, Door (w/spring)	All
15	27K30	Switch, On/Off	All
Log Sets			
16	88L53	FGE Glowing Embers	All
17	H6235	Log Set, 7 pc.	EDVI25 & EDVI30
17	H1103	Log Set, 7 pc.	EDVI35
18	H3696	Vermiculite, Bag	All
Room Air Blower System			
19	H1391	Blower Assembly, 7"	EDVI25
19	H1141	Blower Assembly, 9"	EDVI30 & EDVI35
20	H1157	Power Cord	All
21a	H1290	Rheostat (knob included)	All
21b	527	Knob, Rheostat	All
22	13M23	Switch, Temp. Control (TOD)	All

REPLACEMENT PARTS DIAGRAMS



NOTE: DIAGRAMS & ILLUSTRATIONS ARE NOT TO SCALE