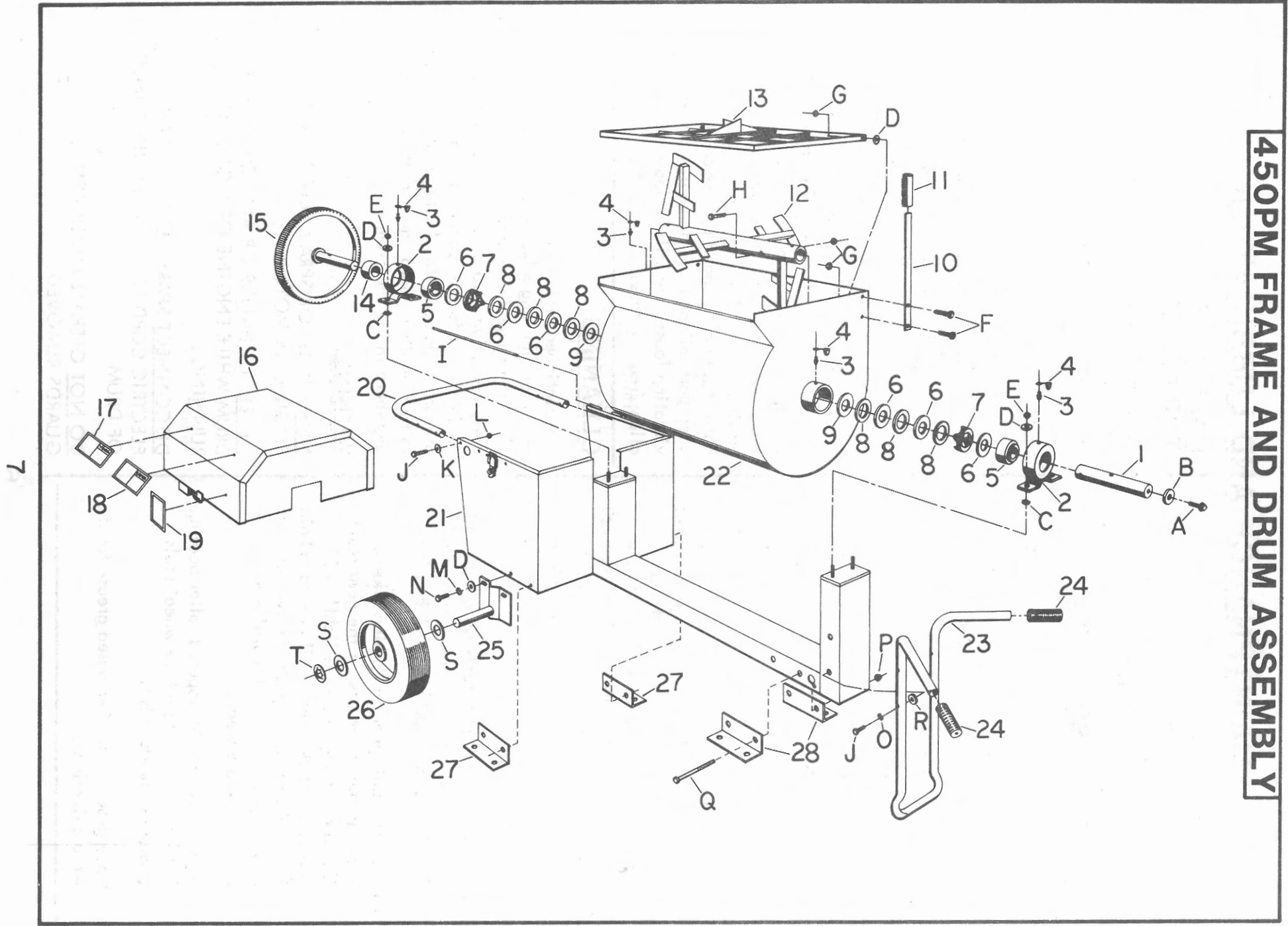


450PM FRAME AND DRUM ASSEMBLY



PARTS LIST

ITEM	DESCRIPTION	QTY	PART NO.
1	Shaft, Outer Stub	1	28164
2	Trunnion	2	24021
3	Fitting, Grease	4	46042
4	Cap, Grease Fitting	4	47001
5	Bearing, Drum	2	32003
6	Seal, Rubber (Black)	6	24022
7	Spacer, Double	2	26230
8	Spacer, Single	6	24017
9	Seal, Urethane (Red)	2	26279
10	Handle, Dump	1	28123
11	Grip, Dump Handle	1	35296
12	Paddle Shaft Assy.	1	Ref. *
13	Guard, Drum	1	22102
14	Spacer, Rear Shaft	1	28222
15	Shaft, Main-Assy.	1	21388
16	Cowl, Upper	1	22080
17	Decal, Safety	1	SN-91
18	Decal, Safety	1	SN-92
19	Decal, Safety	1	SN-67
20	Handle, Rear	1	28131
21	Frame	1	22106
22	Drum	1	22077
23	Handle, Front	1	22111
24	Grip, Front Handle	2	47000
25	Axle, Stub - Standard	2	22082
26	Wheel, 3.00x12 - Standard	2	34019
27	Skid Mount, Rear-Option	2	28186
28	Skid Mount, Front-Option	2	28185
-	Skid Mount Kit-Option (Consists of (2) Item 27 and (2) Item 28)	1	22140

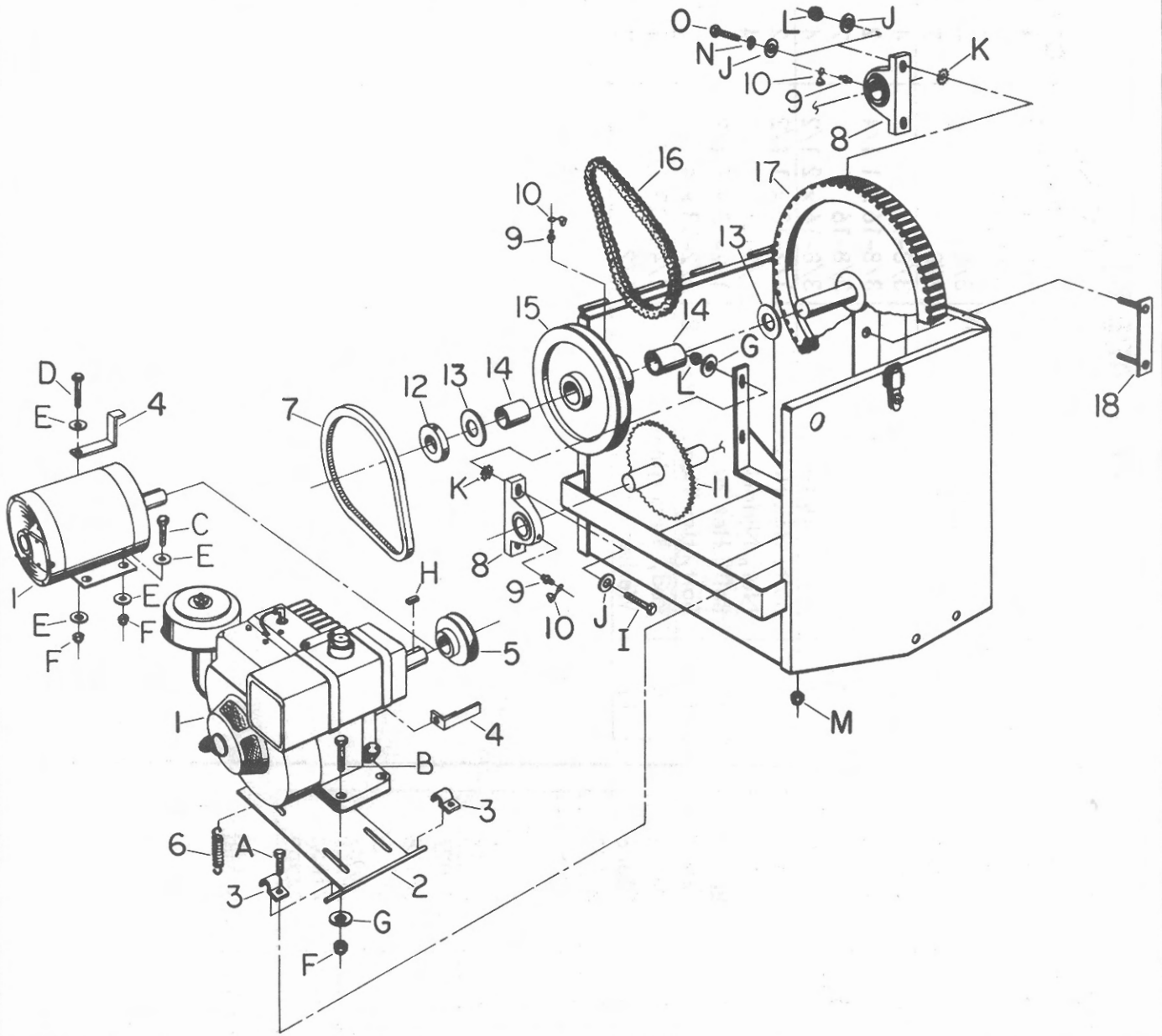
* Reference - Turn To 450 & 625PM PADDLE ASSEMBLY section for details.

HARDWARE LIST

ITEM	DESCRIPTION	PART NO. OR SIZE	QTY
A	Bolt, Self Tapping	1/2-13 x 1 1/2	1
B	Washer, Drum	P/N 26326	1
C	Washer, Star	3/8	4
D	Washer, Flat, Plain	3/8	10
E	Nut, Flex-Loc	3/8-16	4
F	Bolt, Hex Head	3/8-16 x 1 1/2	3
G	Nut, Nylock	3/8-16	7
H	Bolt, Hex Head	3/8-16 x 2 1/2	4
I	Rod, Brass Hinge	1/4 x 13 1/2	1
J	Bolt, Hex Head	3/8-16 x 1 3/4	8
K	Washer, Flat, Plain	5/16	4
L	Nut, Nylock	5/16-18	4
M	Washer, Lock	3/8	4
N	Bolt, Hex Head	3/8-16 x 1	4
O	Washer, Lock	5/16	4
P	Nut, Nylock	1/2-13	2
Q	Bolt, Hex Head	1/2-13 x 6 1/2	2
R	Washer, Motor Base	P/N 26325	4
S	Washer, Flat, Plain	3/4	4
T	Nut, Push	3/4	2

NOTE: If your mixer has a WELDED ON bearing housing you must purchase this bearing kit version: ST22153
The ST23432 featured here is for the BOLT on version ONLY.

450 AND 625PM DRIVE SYSTEM



PARTS LIST

ITEM	DESCRIPTION	QTY	450PM			625PM	
			3 HP B&S	5 HP B&S	1 HP Elect	5 HP B&S	1 HP Elect
1	Engine, Gas	1	30071	30096	-	30096	-
	Motor, Electric	1	-	-	30087	-	30087
2	Base, Motor	1	22104	22104	22104	22121	22121
3	Bracket, Motor Base Mtg.	2	27575	27575	27575	27575	27575
4	Guide, Belt	1	28229	28229	28231	28230	28231
5	Sheave, AK 25 x 3/4	1	34692	34692	-	34692	-
	Sheave, AK 25 x 5/8	1	-	-	34693	-	34693
6	Spring, Motor Base	1	34849	34849	34849	34849	34849
7	V-Belt, AX34	1	35298	35298	-	-	-
	V-Belt, AX35	1	-	-	35299	-	-
	V-Belt, AX39	1	-	-	-	35300	35300

ITEM	DESCRIPTION	450PM				625PM	
		QTY	3 HP B&S	5 HP B&S	1 HP Elect	5 HP B&S	1 HP Elect
8	Bearing, Pillow Block	2	32097	32097	32097	32097	32097
9	Fitting, Grease	2	46042	46042	46042	46042	46042
10	Cap, Grease Fitting	2	47001	47001	47001	47001	47001
11	Drive, Primary	1	21363	21363	21363	21363	21363
12	Collar, Locking	1	30010	30010	30010	30010	30010
13	Washer, Thrust	2	32096	32096	32096	32096	32096
14	Bearing, Roller	2	32081	32081	32081	32081	32081
15	Drive, Secondary†	1	21396	21396	21396	21396	21396
16	Chain Assy.	1	30061	30061	30061	30061	30061
17	Shaft, Main-Assy.	1	Ref.*	Ref.*	Ref.*	Ref.*	Ref.*
18	Bracket, Bearing***	1	-	-	-	22138	22138
**	Belt Guard	1	-	-	-	-	28233

*Reference - Turn to 450PM or 625PM FRAME AND DRUM ASSEMBLY section for part number

**Not shown - used on 625PM 1 hp electric units only.

***Item 18, Bearing Bracket is only used on 625PM mixers. The forward pillow block bearing (item 3) mounts to the frame with this bracket, (2) nuts and (2) washers as shown in the exploded diagram. 450PM mixers use (2) bolts, (2) lock washers and (2) flat washers only to mount the forward pillow block to the frame.

†Includes (2) 32031 bearings already installed.

HARDWARE LIST

ITEM	DESCRIPTION	PART NO. OR SIZE	QUANTITY	
			450PM	625PM
A	Bolt, Hex Head	1/2-13 x 1 1/4	2	2
B	Bolt, Hex Head *	5/16-18 x 1 3/4	4	4
C	Bolt, Hex Head **	5/16 - 18 x 1	3	3
D	Bolt, Hex Head **	5/16 - 18 x 1 1/4	1	1
E	Washer, Flat, Plain **	5/16	8	8
F	Nut, Nylock ***	5/16-18	4	4
G	Washer, Motor Base *	P/N 26325	6	6
H	Key, Square ***	1/4 x 1	1	1
I	Bolt, Hex Head	3/8-16 x 2	2	2
J	Washer, Flat, SAE	3/8	4	4
K	Washer, Star	3/8	4	4
L	Nut, Nylock	3/8-16	2	4
M	Nut, Nylock	1/2-13	2	2
N	Washer, Lock	3/8	2	-
O	Bolt, Hex Head	3/8-16 x 1 1/2	2	-

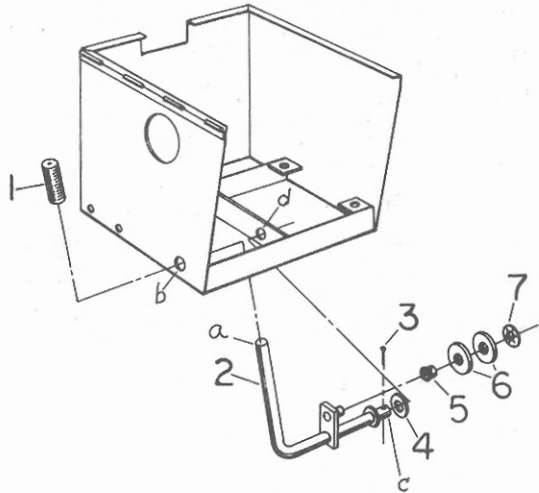
* Used on Gas Engine Models only

** Used on Electric Motor Models only

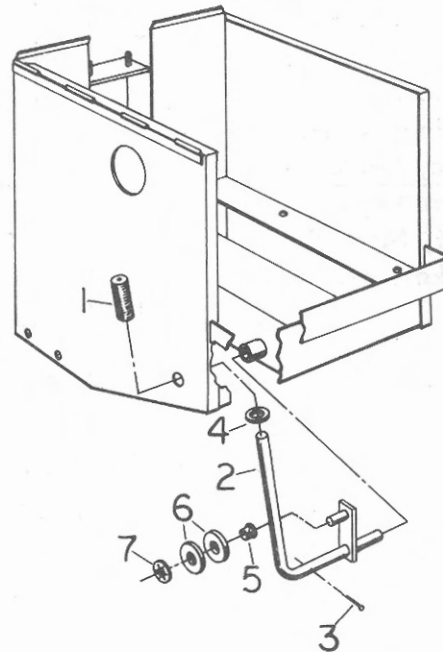
*** Used on Both Electric and Gas Powered Models

450 AND 625PM CLUTCH LEVER ASSEMBLIES

450PM CLUTCH



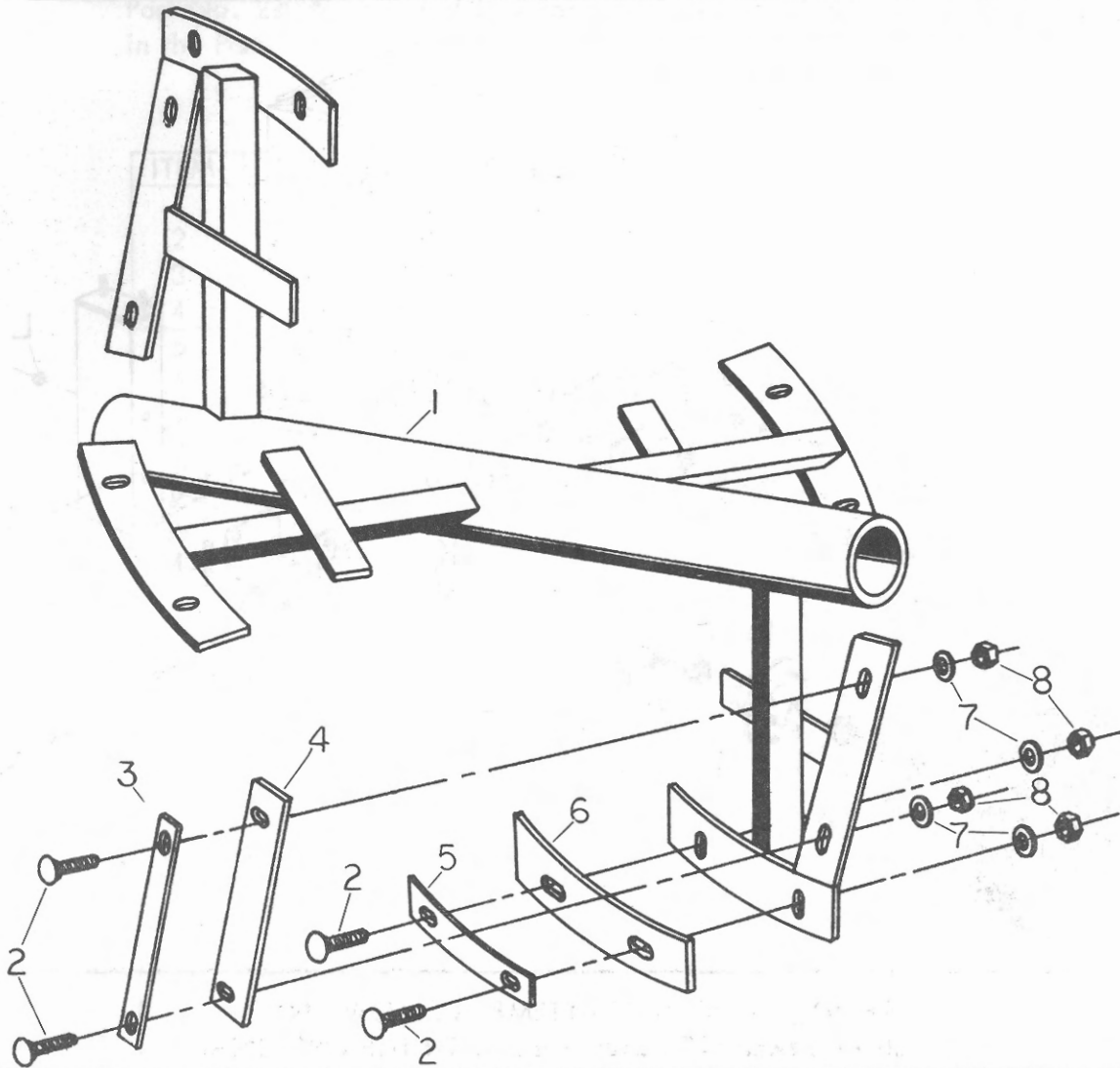
625PM CLUTCH



PARTS AND HARDWARE LIST

ITEM	DESCRIPTION	QTY	450PM	625PM
1	Grip, Clutch Handle	1	34687	34687
2	Lever, Clutch	1	22108	22120
3	Pin, Cotter	1	1/8 x 1	1/8 x 1
4	Washer, Flat, Plain	1	5/8	5/8
5	Bushing, Nyliner	1	32099	32099
6	Roller	2	26326	26326
7	Nut, Push, 1/2 Inch	1	80024	80024

450 AND 625PM PADDLE ASSEMBLIES



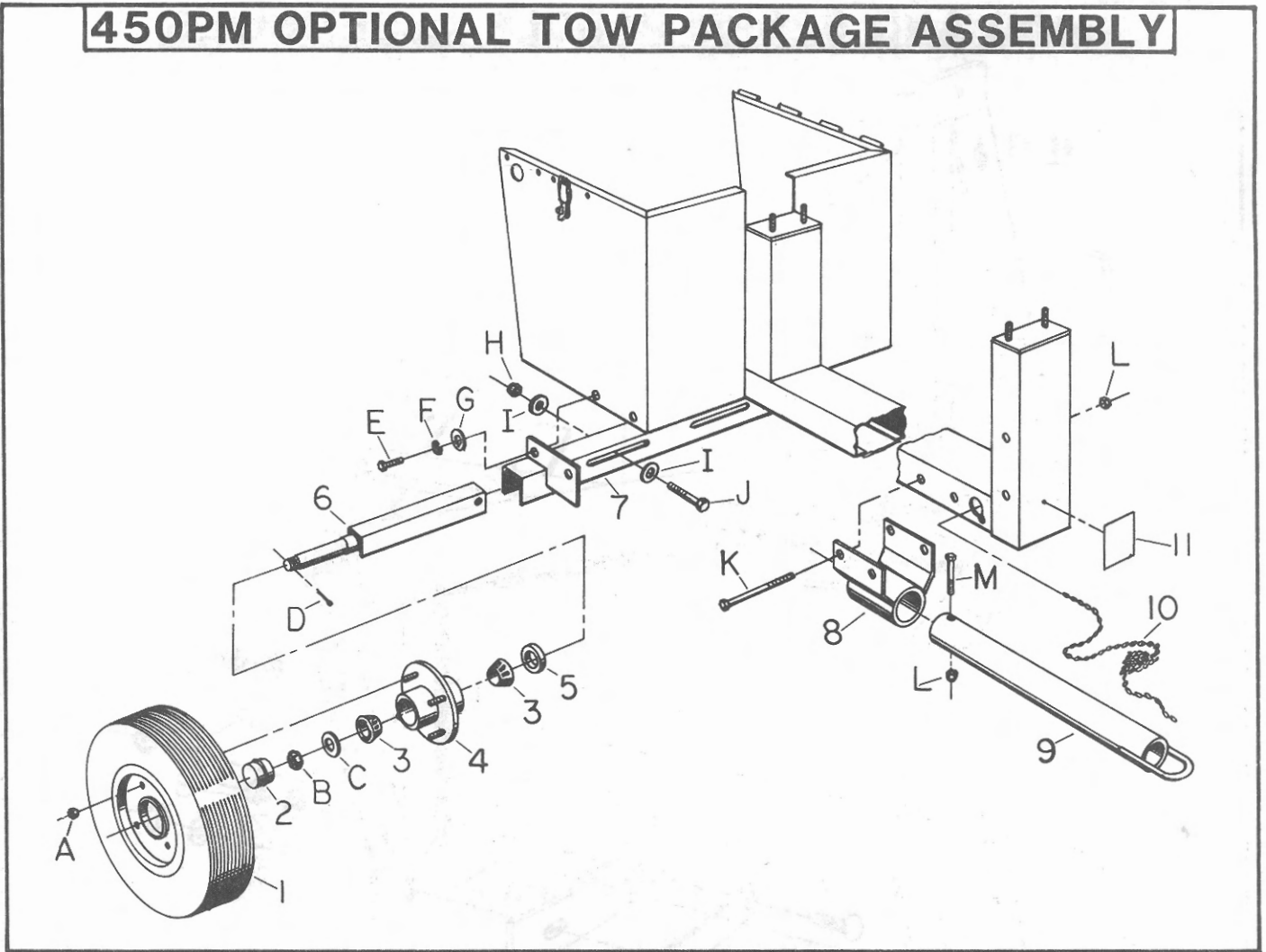
PARTS AND HARDWARE LIST

ITEM	DESCRIPTION	QTY	450PM	625PM
1	Paddle Shaft Assy.	1	22079	22119
2	Bolt, carriage	12	3/8-16 x 1 1/4	3/8-16 x 1 1/4
3	Bar, Backer - Short	2	28116	28116
4	Blade, Rubber - Short	2	28090	28090
5	Bar, Backer - Long	4	28117	28117
6	Blade, Rubber - Long	4	28091	28091
7	Washer, Flat, Plain	12	3/8	3/8
8	Nut, Nylock	12	3/8-16	3/8-16

For convenience in placing blades and backer bars, the following sets are available. Please note that the 450PM and 625PM models use the same sets:

DESCRIPTION	QTY	PART NO.
Backer Bar Set Includes: (4) Item 5 and (2) Item 3	1	22083
Rubber Blade Set Includes: (4) Item 6 and (2) Item 4	1	22112

450PM OPTIONAL TOW PACKAGE ASSEMBLY



WARNING - DO NOT ATTEMPT TO TOW ANY 450PM MIXER NOT EQUIPPED WITH THE OPTIONAL TOWING PACKAGE ILLUSTRATED HERE. CONSULT THE TOWING SECTION IN THE FRONT OF THIS MANUAL FOR ADDITIONAL SAFETY PRECAUTIONS.

Part No. 22089 Optional Tow Package includes all parts listed in the Parts and Hardware lists below.

PARTS LIST

ITEM	DESCRIPTION	QTY	PART NO.
1	Tire & Wheel Assy. 4.80 x 8	2	34605
2	Cap, Bearing	2	34573
3	Bearing, Tapered Roller	4	32051
4	Hub	2	34501
5	Seal, Wheel	2	32052
6	Half - Axle	2	27543
7	Axle Support	1	22109
8	Adapter, Tow Pole	1	22110
9	Tow Pole - Standard *	1	26096
10	Safety Chain Kit	1	21655
11	Decal, Towing	1	SN-66

* Optional Tow Pole Types Available:
P/N 27549 Pin Hitch Tow Pole
P/N 21640 Ball Hitch Tow Pole

HARDWARE LIST

ITEM	DESCRIPTION	PART NO. OR SIZE	QTY
A	Nut, Lug	1/2-20	8
B	Nut, Castle	3/4-16	2
C	Washer, Flat	3/4	2
D	Pin, Cotter	1/8 x 1 3/4	2
E	Bolt, Hex Head	3/8-16 x 1	4
F	Washer, Lock	3/8	4
G	Washer, Flat, Plain	3/8	4
H	Nut, Nylock	7/16-14	2
I	Washer, Flat, Plain	7/16	4
J	Bolt, Hex Head, Grade 5	7/16-14 x 3	2
K	Bolt, Hex Head	1/2-13 x 6 1/2	2
L	Nut, Nylock	1/2-13	3
M	Bolt, Hex Head	1/2-13 x 4	1

450 AND 625PM GAS DRIVE SAFETY INTER-LOCK SYSTEM

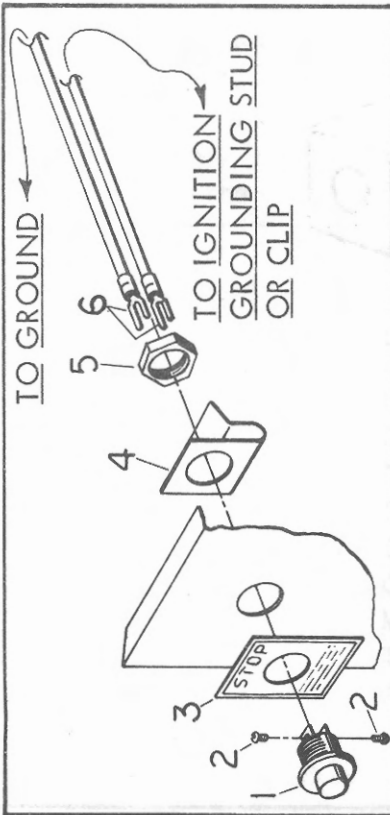
Your new Stone 450 or 625PM gas powered mixer comes equipped with both an outside kill button and a safety inter-lock grounding tab, in addition to the normal kill button or tab found on most gas engines. These added features are for your safety and convenience. Please DO NOT tamper with these systems.

The kill switch is an S.P.S.T. normally open, momentary contact push button which grounds out the ignition voltage when pressed. To stop the engine, simply depress the button and hold it down until the engine comes to a complete stop. This system allows the engine to be stopped without reaching into the engine compartment.

The grounding tab is a spring clip which grounds out the ignition voltage whenever the upper cowl is opened. The engine will thus stop automatically whenever the upper cowl is opened. Also, the engine cannot be started while the upper cowl is open.

Periodically inspect the kill switch, grounding tab, and associated wiring to make sure the system is operating properly. Make sure that there are no loose connections, bare or broken wires, or broken parts within the system. Keep the wiring fastened securely away from hot exhaust and engine parts, moving drive components and pinch points.

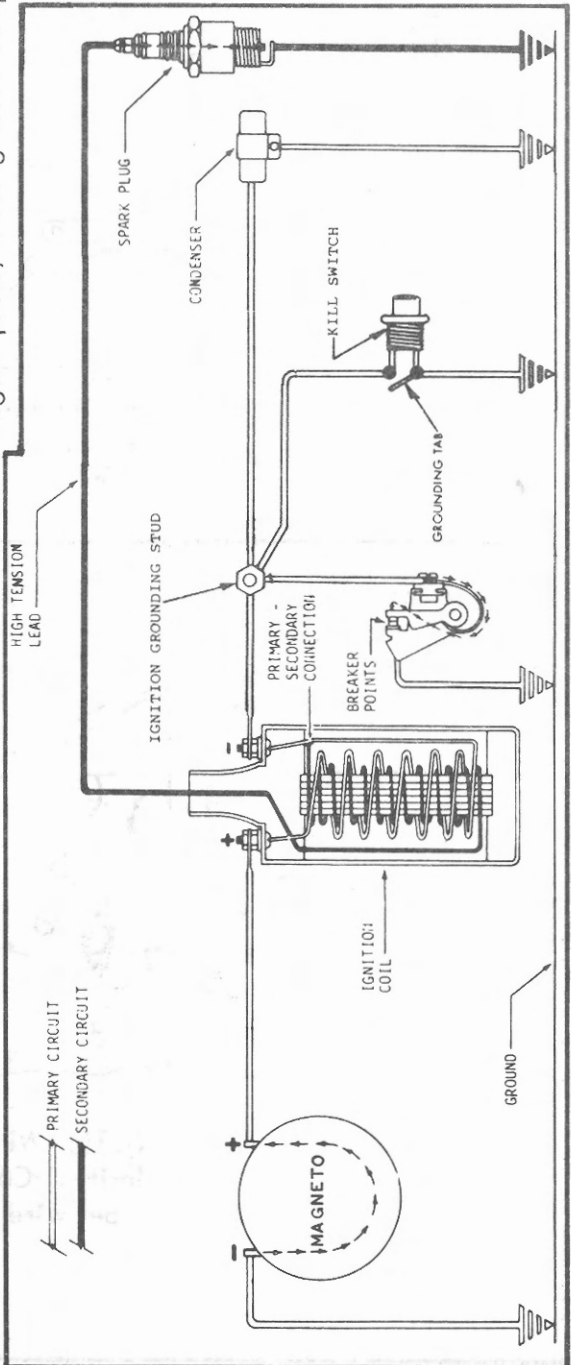
WARNING - ALWAYS DISCONNECT THE SPARK PLUG WIRE BEFORE PERFORMING ANY WORK IN THE ENGINE COMPARTMENT OR DRUM OF THIS MIXER.



PARTS AND HARDWARE LIST

ITEM	DESCRIPTION	QTY	PART NO.
1	Switch	1	36099
2	Screw, Pan Head, 6-32 x 1/4	2	*
3	Decal, Stop	1	SN-87
4	Tab, Grounding	1	28163
5	Nut, Lock	1	*
6	Lead, Kill Switch	2	36100

* These Parts Not Available Separately, They Come With The Kill Switch Only.



PARTS AND HARDWARE LIST

ITEM	DESCRIPTION	QTY	PART NO.
1	Boot, Rubber Switch	1	47146
2	Nut, Lock	3	*
3	Screw, Pan Head Machine	3	8-32 x 3/4
4	Plug, 1/2" Conduit	1	36101
5	Plate, Indicator	1	36098
6	Switch, Toggle	1	48038
7	Switch, Push Button	1	48254
8	Box, Switch	1	28227
9	Cord, Power - 52 Inch	1	48257**
10	Connector, Romex	3	48036
11	Nut, Wire	1	48241
12	Cord, Motor - 20 Inch	1	48258**
13	Wire, Jumper	1	48259**
14	Nut, Hex	1	8-32

* Lock Nuts Not Available Separately, They Come With The Switches Only.

** These Numbers Are For Customer Reference Only.

Your new Stone 450 or 625PM Electric Powered Mixer comes equipped with a safety inter-lock system which automatically shuts off the motor whenever the upper cowl is opened. This added feature is for your safety and convenience. Please do not tamper with the system.

The toggle switch located on the outside of the cowl is the main control for the motor. This switch should be used to turn the motor on and off, the safety inter-lock switch is not intended to act as the main shut off for the motor.

However, the safety inter-lock switch overrides the toggle switch when the cowl is opened. The electric motor will not start while the cowl is opened. NOTE: See warning below.

Periodically inspect the toggle switch, safety inter-lock switch and all associated wiring. Make sure that there are no loose connections, Bare or broken wires and broken parts within the system. Keep the wiring fastened securely away from moving drive components and pinch points.

WARNING - UNLESS THE TOGGLE SWITCH IS IN THE OFF POSITION, THE MOTOR WILL RE-START AS SOON AS THE COWL IS CLOSED, OR THE SAFETY INTER-LOCK PUSH BUTTON (LOCATED AT THE TOP OF THE ELECTRICAL BOX MOUNTED ON THE COWL SIDE) IS DEPRESSED. ALWAYS DISCONNECT THE ELECTRICAL CORD AT THE MIXER BEFORE PERFORMING ANY WORK IN THE ENGINE COMPARTMENT OR DRUM OF THIS MIXER!