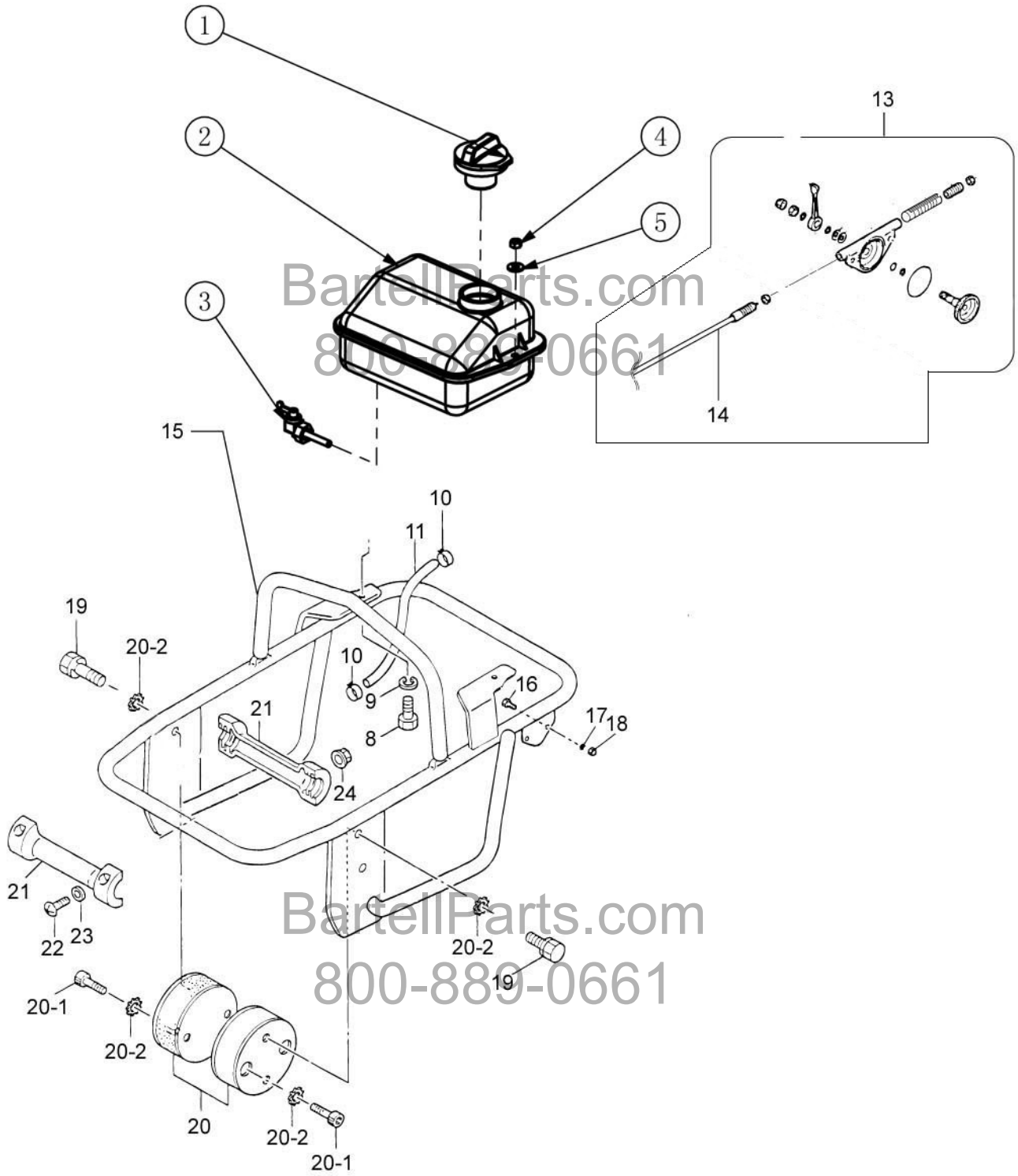


# TANK AND HANDLE ASSEMBLY DIAGRAM

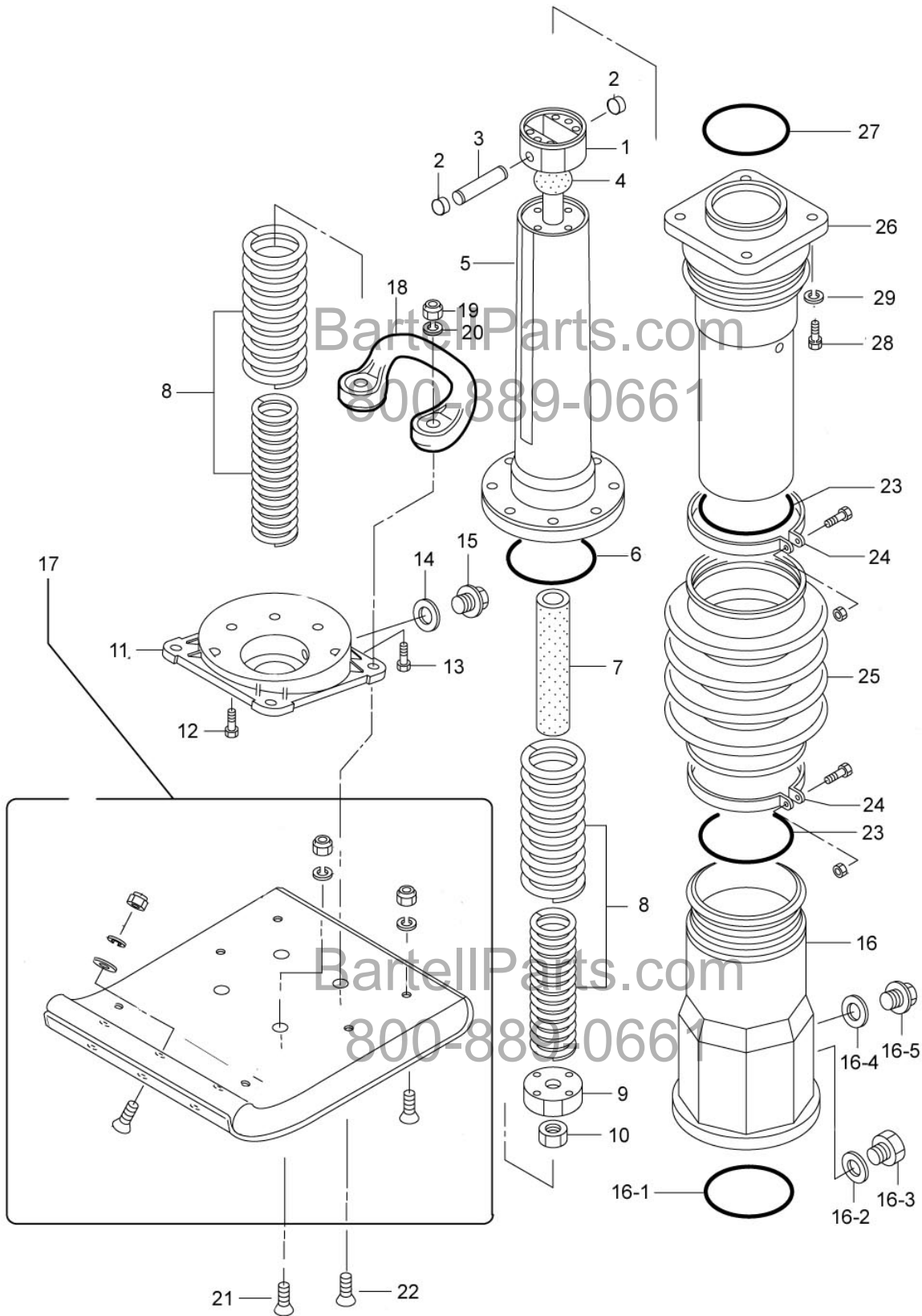


**TANK AND HANDLE - PARTS LIST 1**

Item	Part No.	Description	QTY	Remarks
A	CT-66P1-A	FUEL TANK ASSEMBLY	1	
1	CT-66P1-01A	TANK CAP ASSEMBLY	1	
2	CT-66P1-02A	STRAP PIN	1	
3	CT-66P1-03A	FUEL TANK	1	
4	CT-66P1-04A	ROLLER FOAM	2	
5	CT-66P1-05A	SW M6	2	
6	CT-66P1-06A	NYLON NUT M8	2	
7	CT-66P1-07A	WASHER M8	2	
8	CT-66P1-08A	BOLT M8X30T	2	
9	CT-66P1-09A	SW M8	4	
10	CT-66P1-10A	HOSE BAND	2	
11	CT-66P1-11A	FUEL HOSE	1	
12	CT-66P1-12A	FUEL COCK AY	1	
13	CT-66P1-13A	THROTTLE LEVER ASSEMBLY (INCLUDES ITEM 14)	1	
14	CT-66P1-14A	THROTTLE WIRE (INCLUDED IN ITEM 13)	1	
15	CT-66P1-15A	HANDLE	1	
16	CT-66P1-16A	BOLT M6X25T	2	
17	CT-66P1-17A	WASHER M6	4	
18	CT-66P1-18A	NYLON NUT M6	6	
19	CT-66P1-19A	BOLT M10X20	4	
20	CT-66P1-20A	SHOCK ABSORBER	2	
21	CT-66P1-21A	ROLLER	2	
22	CT-66P1-22A	SOCKET HEAD BOLT M5X30	4	
23	CT-66P1-23A	WASHER M10	4	
24	CT-66P1-24A	SW M10	4	

BartellParts.com  
800-889-0661

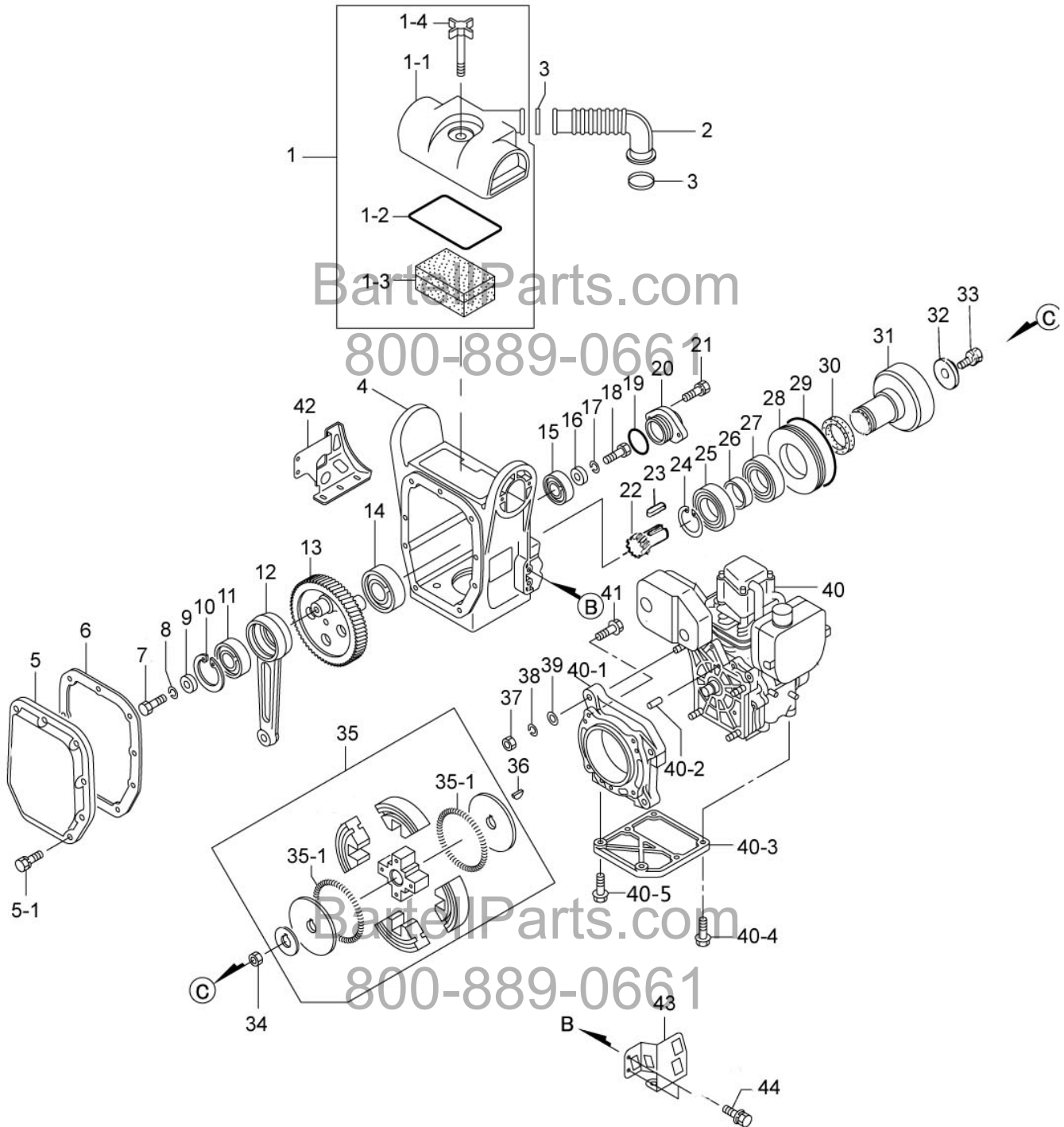
# CYLINDER AND FOOT ASSEMBLY DIAGRAM



**CYLINDER AND FOOT - PARTS LIST 2**

Item	Part No.	Description	QTY	Remarks
1	CT-60P-1C	PISTON ROD	1	
2	CT-60P-2C	PLUG	2	
3	CT-60P-3C	PISTON PIN	1	
4	CT-60P-4C	STOPPER, UPPER	1	
5	CT-60P-5C	SPRING CYLINDER	1	
6	CT-60P-6C	O-RING G-75	1	
7	CT-60P-7C	STOPPER, LOWER	1	
8	CT-60P-8C	MAIN SPRING	2	
9	CT-60P-9C	PISTON END	1	
10	CT-60P-10C	NUT M16	1	
11	CT-60P-11C	FOOT PLATE	1	
12	CT-60P-12C	SOCKET HEAD BOLT M10X35T	4	
13	CT-60P-13C	SOCKET HEAD BOLT M10X25T	4	
14	CT-60P-14C	PACKING M10 (AL)	1	
15	CT-60P-15C	PLUG M10X1.0X10	1	
16	CT-60P-16C	PROTECTION SLEEVE	1	
16-1	CT-60P-16-1C	O-RING JAS02085	1	
16-2	CT-60P-16-2C	PACKING M20	1	
16-3	CT-60P-16-3C	OIL LEVEL GAUGE G1/2	1	
16-4	CT-60P-16-4C	PACKING M16	1	
16-5	CT-60P-16-5C	PLUG M16X1.5X10	1	
17	CT-60P-17C	FOOT ASSEMBLY	1	
18	CT-60P-18C	GRIP HANDLEBAR	1	
19	CT-60P-19C	NYLON NUT M12	4	
20	CT-60P-20C	SPLIT WASHER M12	4	
21	CT-60P-21C	SUNK HEAD BOLT M12X65T	2	
22	CT-60P-22C	SUNK HEAD BOLT M12X70T	2	
23	CT-60P-23C	O-RING G-95	2	
24	CT-60P-24C	BELLOW CLAMP	2	
25	CT-60P-25C	BELLOW	1	
26	CT-60P-26C	GUIDE CYLINDER	1	
27	CT-60P-27C	O-RING G-80	1	
28	CT-60P-28C	BOLT M10X40	4	
29	CT-60P-29C	SPLIT WASHER M10	4	

# CRANK CASE AND ENGINE DIAGRAM



**CRANK CASE AND ENGINE - PARTS LIST 3**

Item #	Part No.	Description	QTY	REMARK
1	CT-60P-1B	AIR CLEANER ASSEMBLY	1	
1-1	CT-60P-1-1B	COVER, AIR CLEANER	1	
1-2	CT-60P-1-2B	PACKING, AIR CLEANER	1	
1-3	CT-60P-1-3B	ELEMENT, AIR CLEANER	1	
1-4	CT-60P-1-4B	GRIP BOLT, AIR CLEANER	1	
2	CT-60P-2B	INTAKE PIPE	1	
3	CT-60P-3B	CLAMP	2	
4	CT-60P-4B	CRANK CASE	1	
5	CT-60P-5B	FRONT COVER	1	
5-1	CT-60P-5-1B	BOLT M6X20T	9	
6	CT-60P-6B	PACKING, FRONT COVER	1	
7	CT-60P-7B	BOLT M8X25T	1	
8	CT-60P-8B	SPLIT WASHER M8	1	
9	CT-60P-9B	WASHER 9X30X4	1	
10	CT-60P-10B	STOP RING R-52	1	
11	CT-60P-11B	BEARING 6304	1	
12	CT-60P-12B	CONNECTING ROD	1	
13	CT-60P-13B	CRANK GEAR	1	
14	CT-60P-14B	BEARING 6305	1	
15	CT-60P-15B	BEARING 6203	1	
16	CT-60P-16B	WASHER 8.5X22X3	1	
17	CT-60P-17B	SPLIT WASHER M8	1	
18	CT-60P-18B	BOLT M8X25T	1	
19	CT-60P-19B	O-RING G-35	1	
20	CT-60P-20B	BEARING COVER	1	
21	CT-60P-21B	BOLT M6X20T	2	
22	CT-60P-22B	PINION	1	
23	CT-60P-23B	KEY 5X5X19R	1	
24	CT-60P-24B	STOP RING S-35	1	
25	CT-60P-25B	BEARING 6007	1	
26	CT-60P-26B	SPACER 35.4-42.7-10	1	
27	CT-60P-27B	BEARING 6007Z	1	
28	CT-60P-28B	SPACER, CLUTCH DRUM	1	
29	CT-60P-29B	O-RING S-90	1	
30	CT-60P-30B	OIL SEAL TC-40528	1	
31	CT-60P-31B	CLUTCH DRUM	1	
<b>CONTINUED ON NEXT PAGE.</b>				

**CRANK CASE AND ENGINE – PARTS LIST 3 (CONTINUED)**

Item #	Part No.	Description	QTY	Remark
32	CT-60P-32B	LOCK WASHER	1	
33	CT-60P-33B	BOLT M8X20T	1	
34	CT-60P-34B	LOCK NUT	1	
35	CT-60P-35B	CLUTCH ASSEMBLY	1	
35-1	CT-60P-35-1B	CLUTCH SPRING	2	
36	CT-60P-36B	WOODRUFF KEY	1	
37	CT-60P-37B	NUT M8	4	
38	CT-60P-38B	SPLIT WASHER M8	4	
39	CT-60P-39B	WASHER M8	4	
40	CT-60P-40B	ENGINE	1	
40-1	CT-60P-40-1B	ADAPTER, FLANGE	1	
40-2	CT-60P-40-2B	DOWEL PIN	2	
40-3	CT-60P-40-3B	STIFFENER	1	
40-4	CT-60P-40-4B	BOLT M8X25T	2	
40-5	CT-60P-40-5B	BOLT M8X20T	4	
41	CT-60P-41B	BOLT M8X30T	4	
42	CT-60P-42B	OIL GAUGE PROTECTOR	1	
43	CT-60P-43B	LINK PROTECTOR	1	
44	CT-60P-44B	BOLT M8X20T	4	

BartellParts.com  
800-889-0661