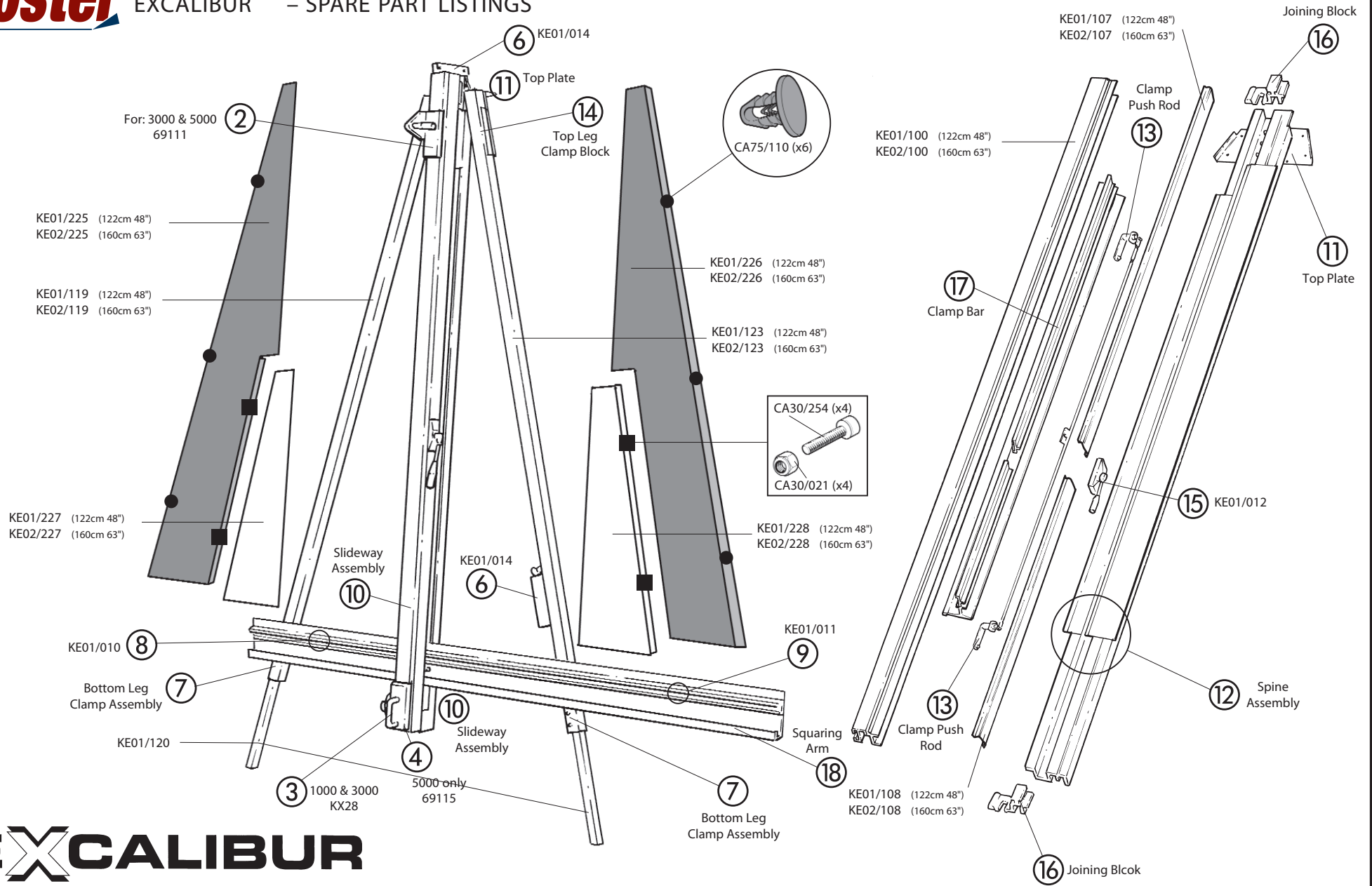




EXCALIBUR – SPARE PART LISTINGS

Wall Mount for 1000x & 5000
KE01/181

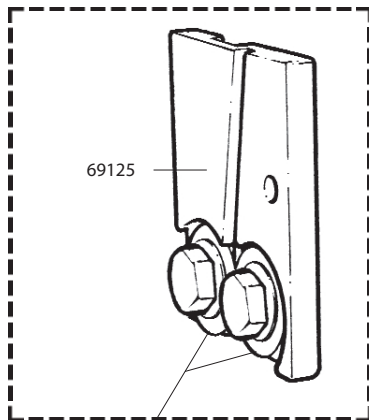


EXCALIBUR

Foster

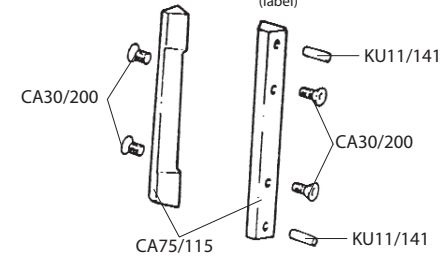
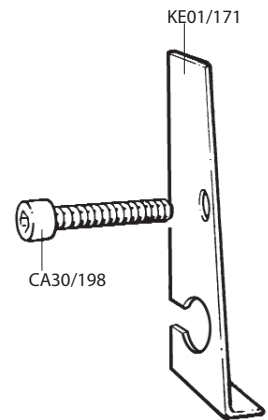
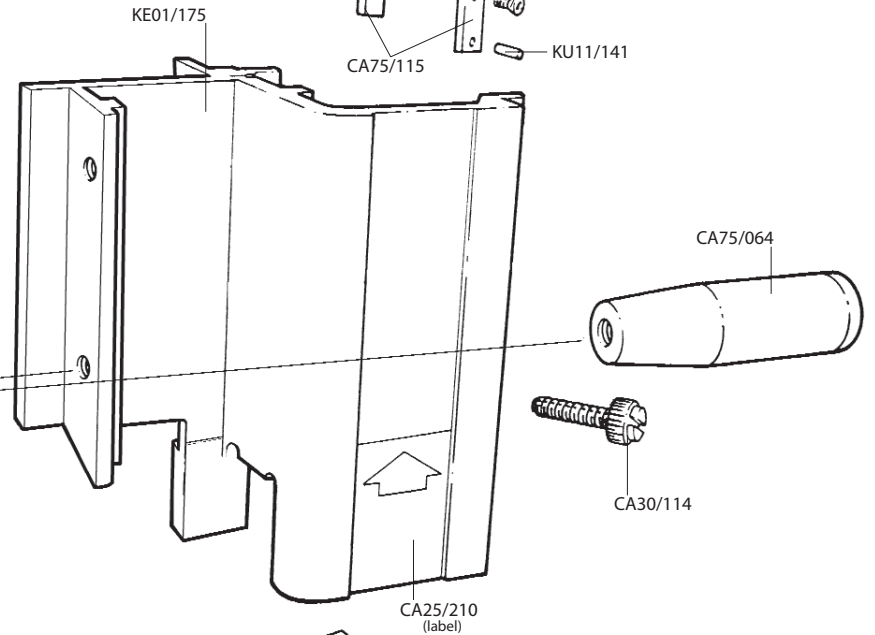
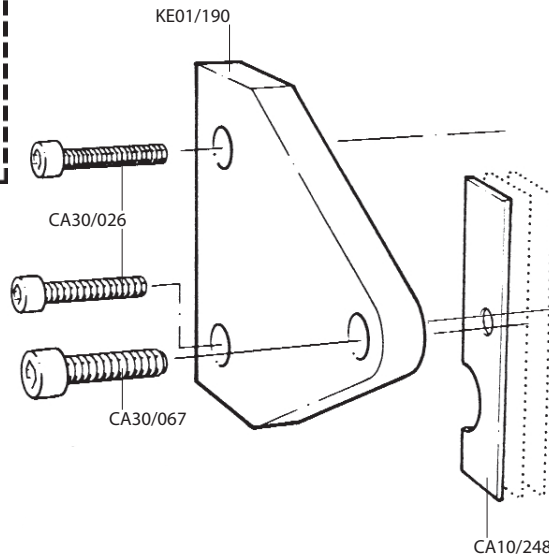
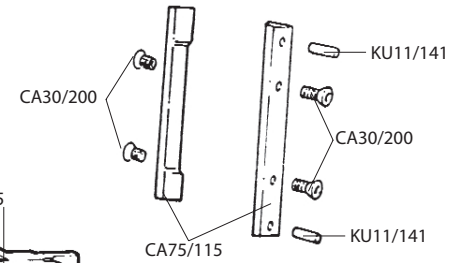
TWIN WHEEL CUTTER HEAD

2



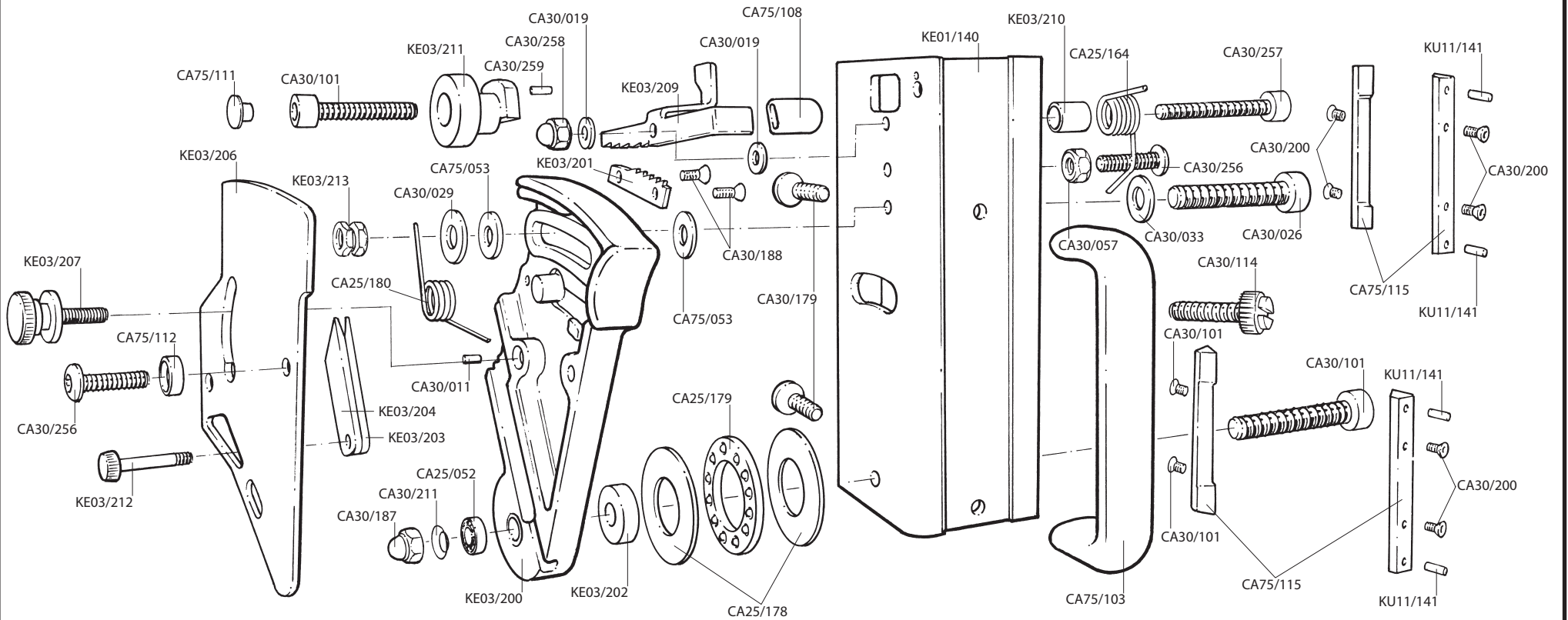
69110
(Replacement Cutting
Wheels for Gold Head Only.)
*If you have a Black Version,
upgrade to 69125*

Twin Wheel Carriage
Assembly Complete
69111



EXCALIBUR 3000 & 5000

3

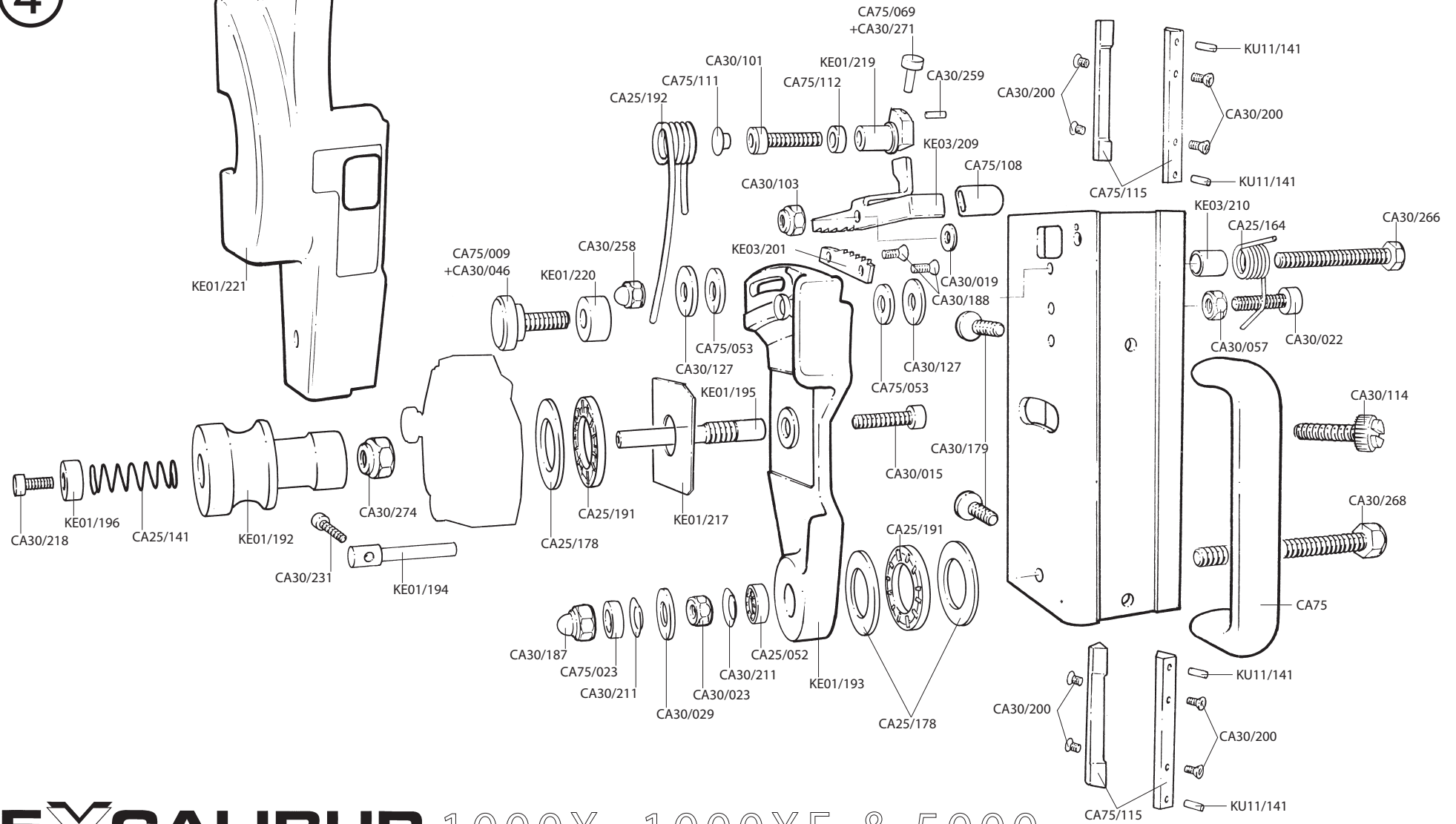


Foster

MULTI - CUTTER HEAD

Complete Cutting Head- 69115

4

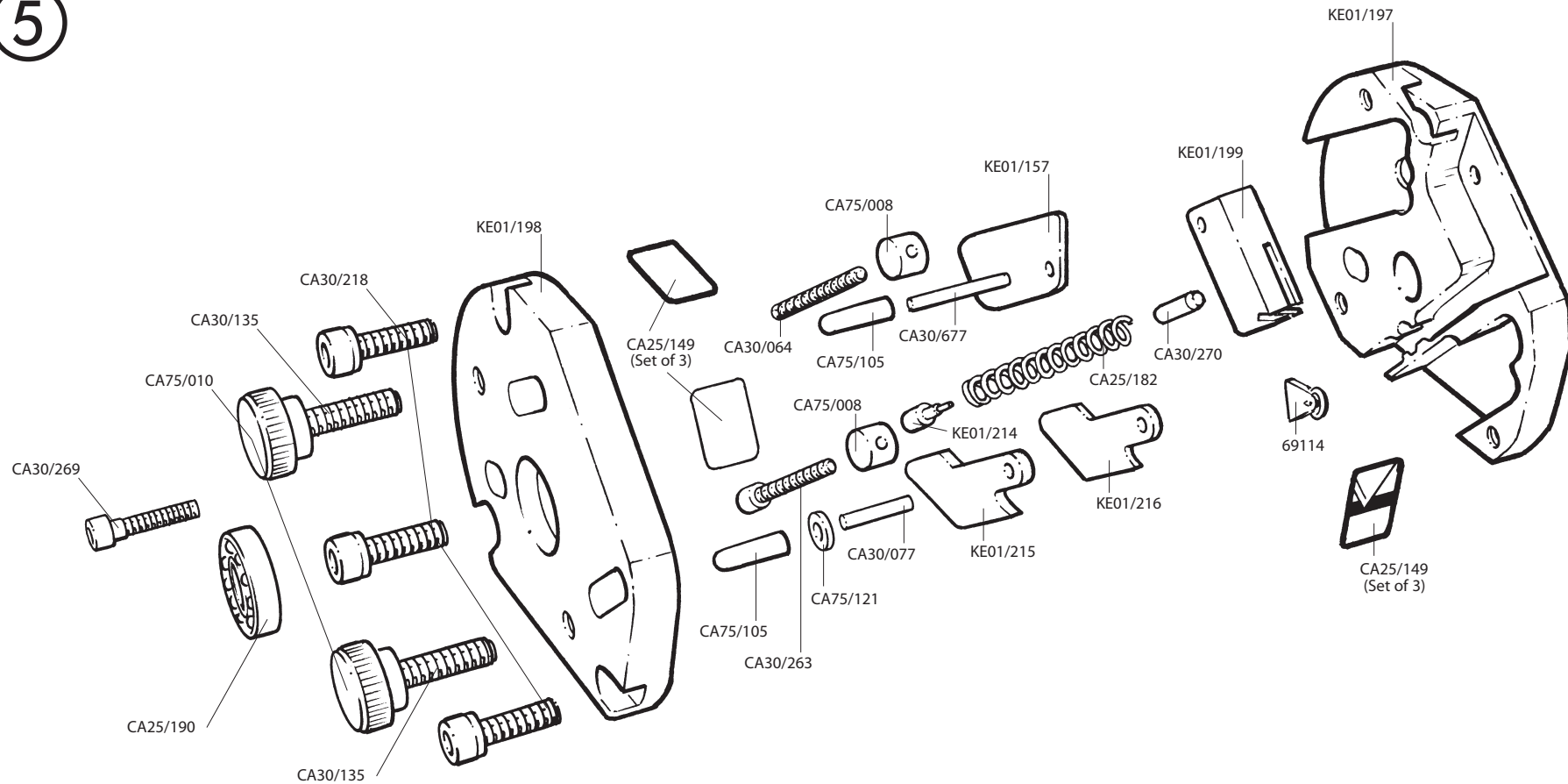


EXCALIBUR 1000X, 1000XE & 5000

Foster

MULTI - CUTTER TURRET

5



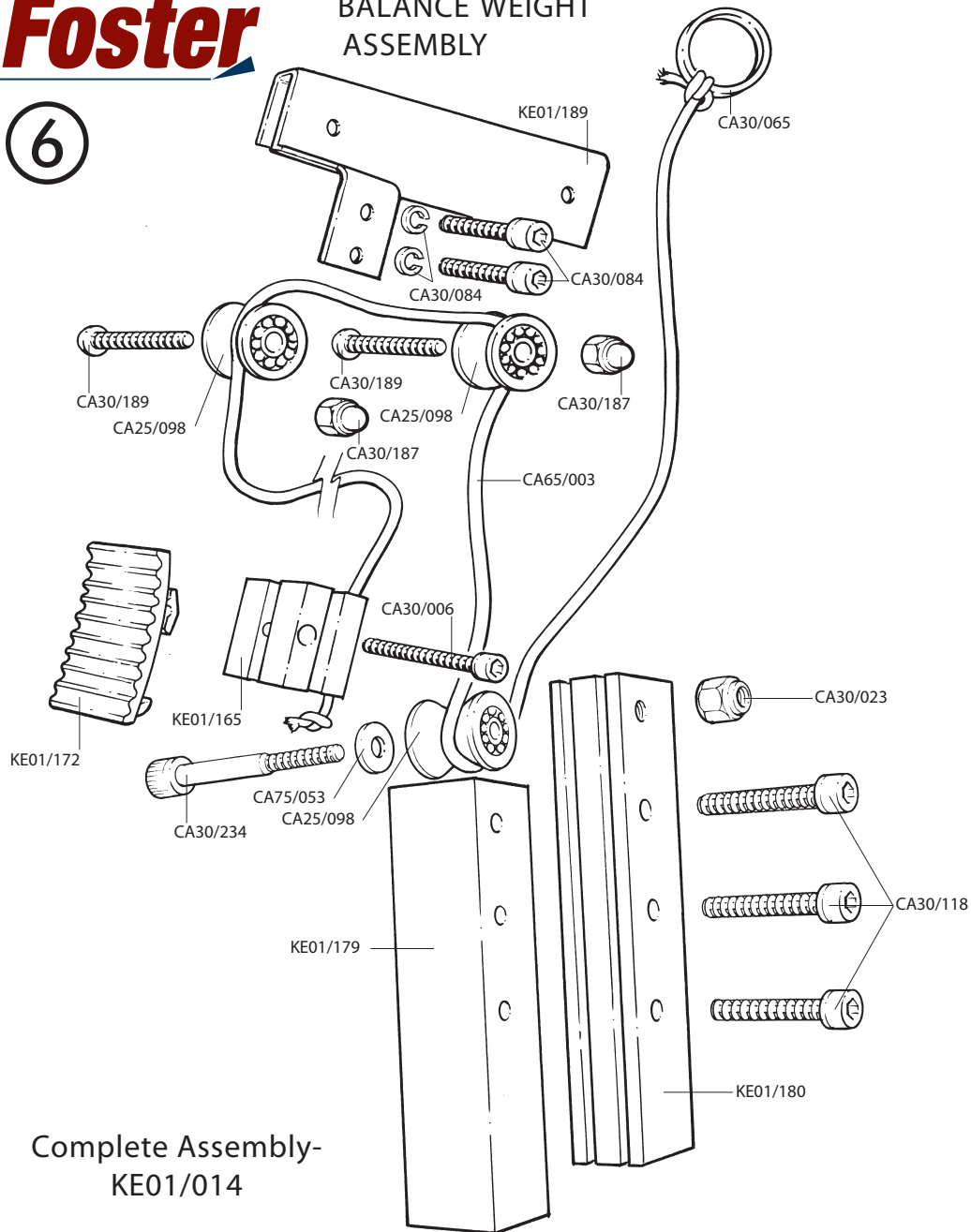
Acrylic Scoring Blades (5)- 69109
Medium Duty Utility Blades (100)- 69108
Heavy Duty Utility Blades (100)- 69119

EXCALIBUR 1000X, 1000XE & 5000

Foster

BALANCE WEIGHT ASSEMBLY

6

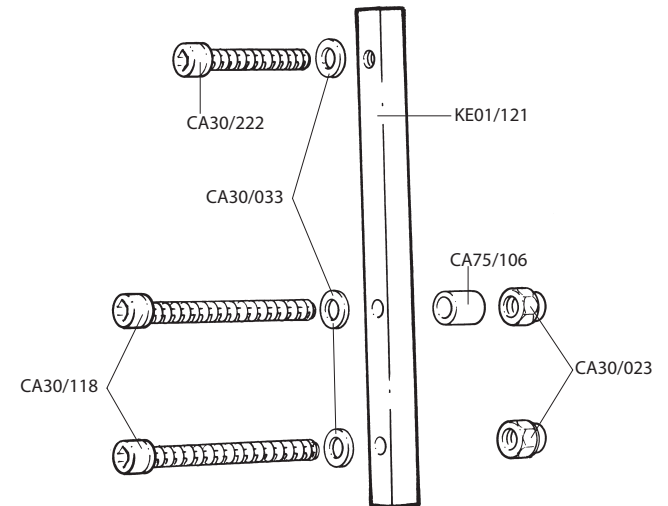


Complete Assembly-
KE01/014

Foster

BOTTOM LEG CLAMP ASSEMBLY

7



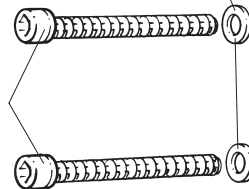
CA30/118

CA30/222

CA30/033

CA75/106

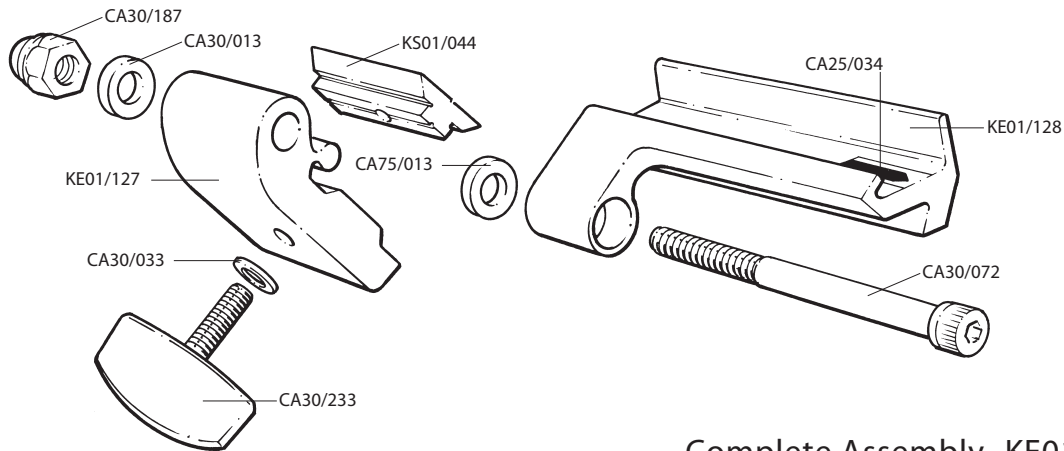
CA30/023



Foster

LEFT HAND FLIP STOP

8

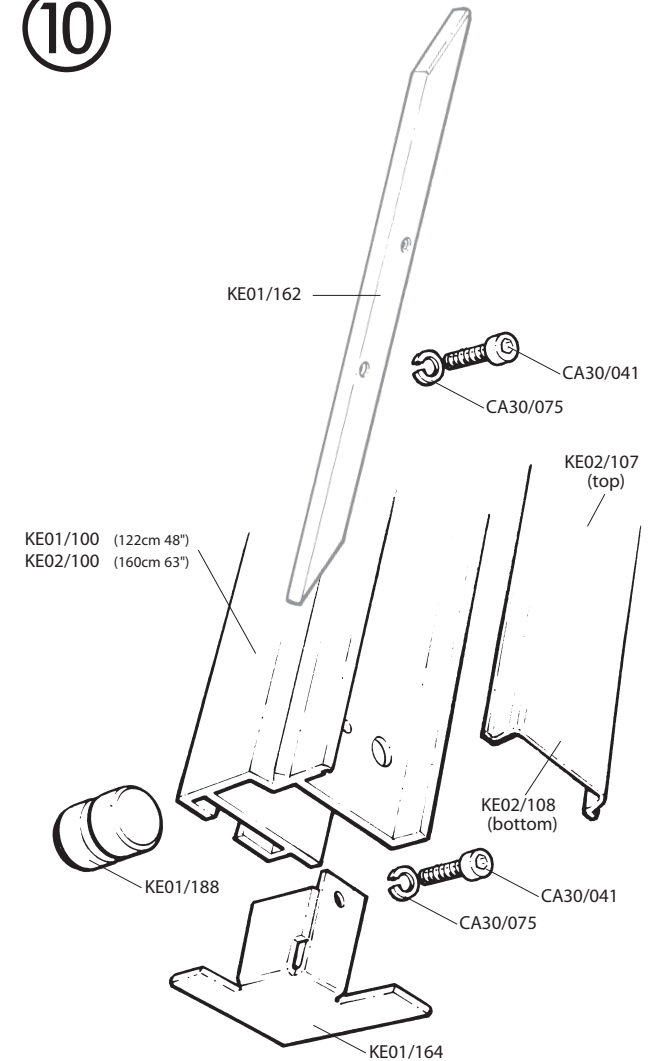


Complete Assembly- KE01/010

Foster

SLIDWAY ASSEMBLY

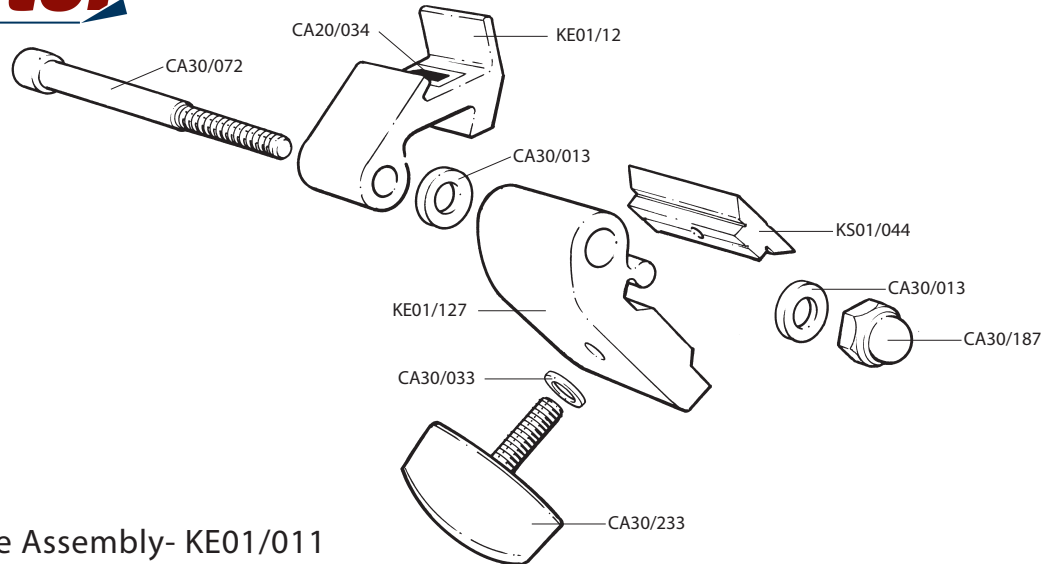
10



Foster

RIGHT HAND FLIP STOP

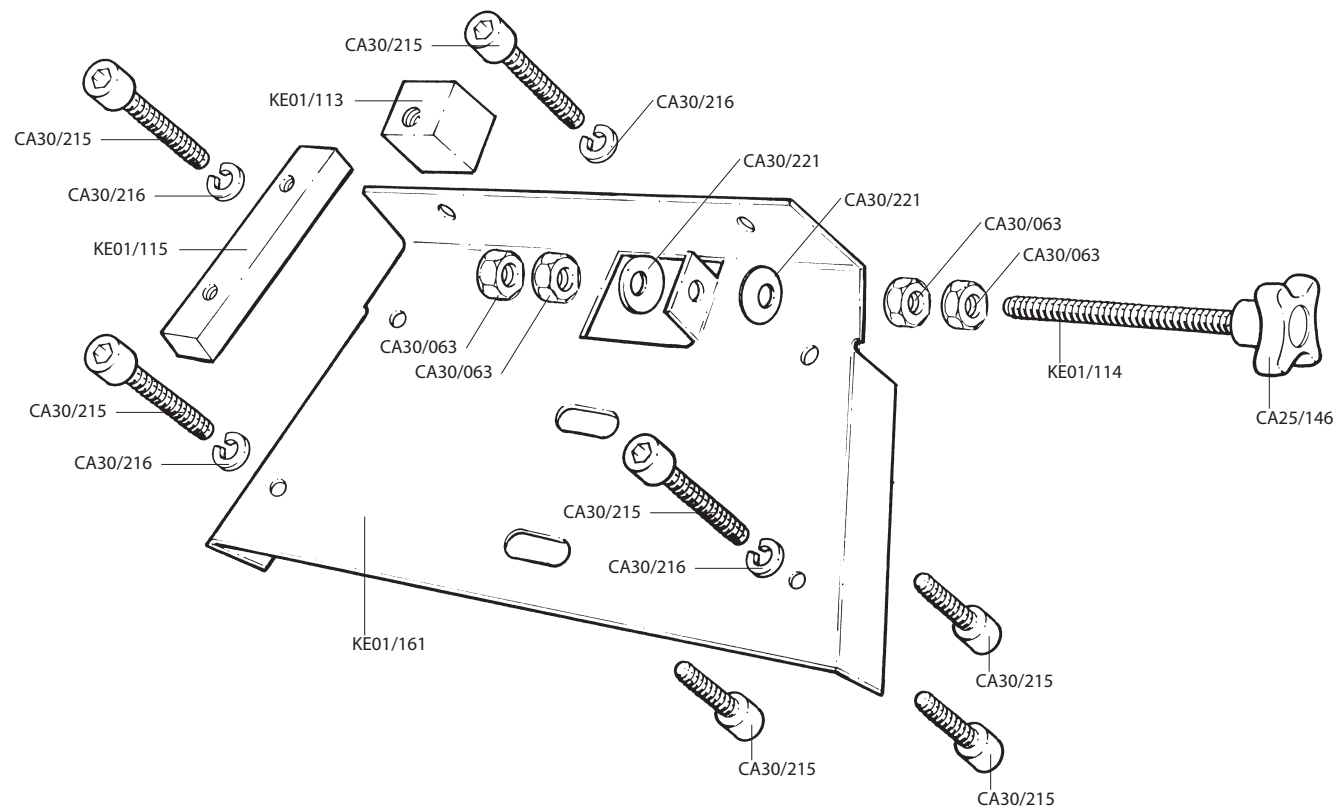
9



Complete Assembly- KE01/011

Foster TOP PLATE

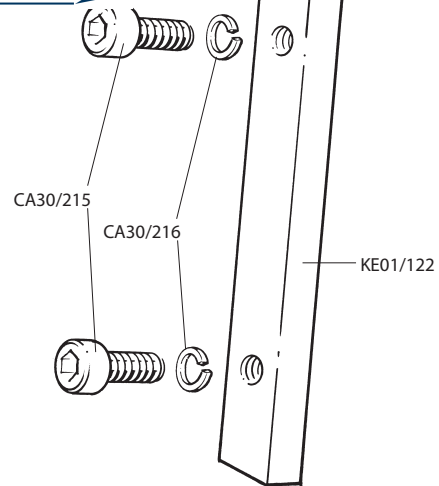
11



Foster

TOP LEG CLAMP BLOCK

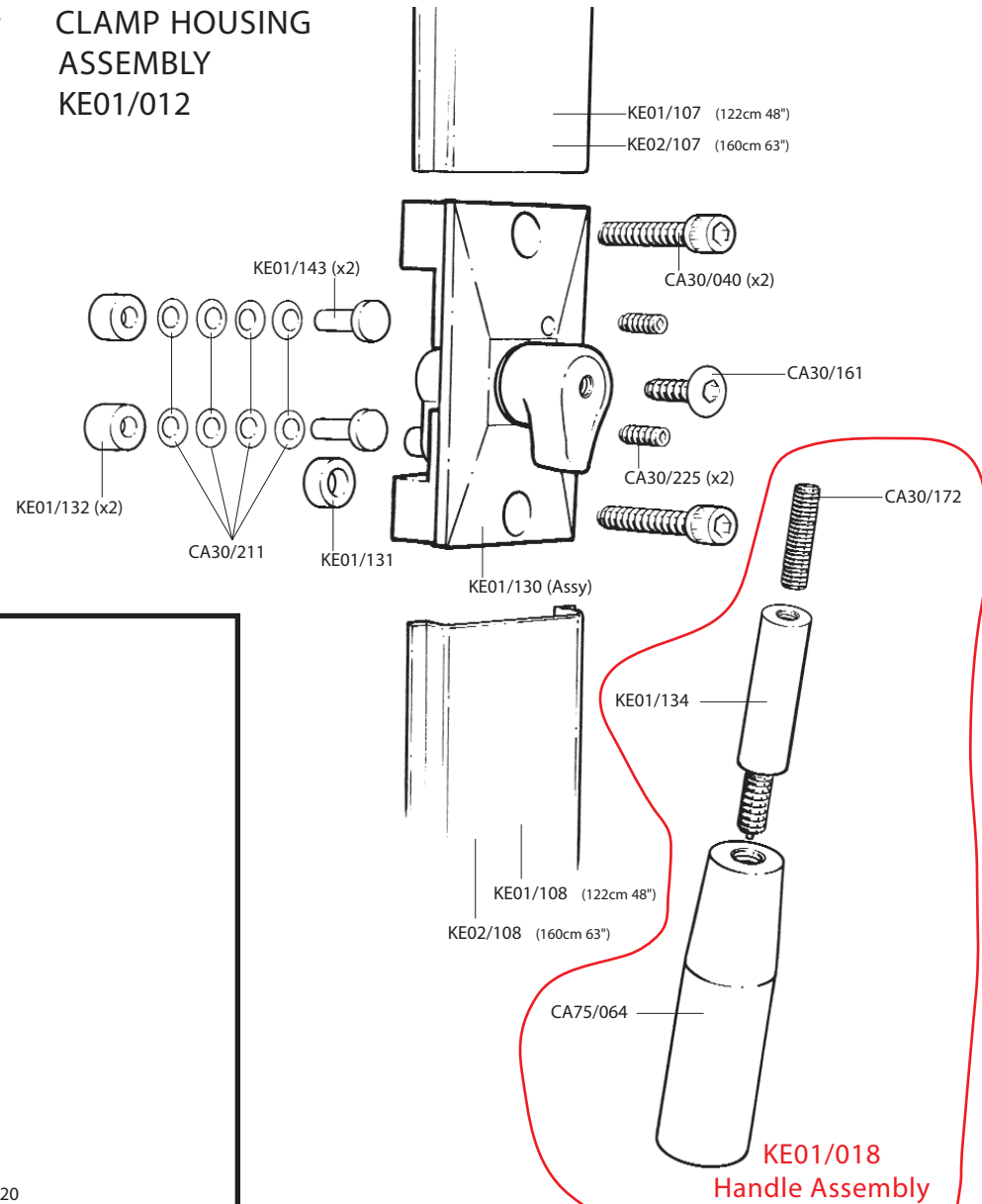
14



Foster

CLAMP HOUSING ASSEMBLY KE01/012

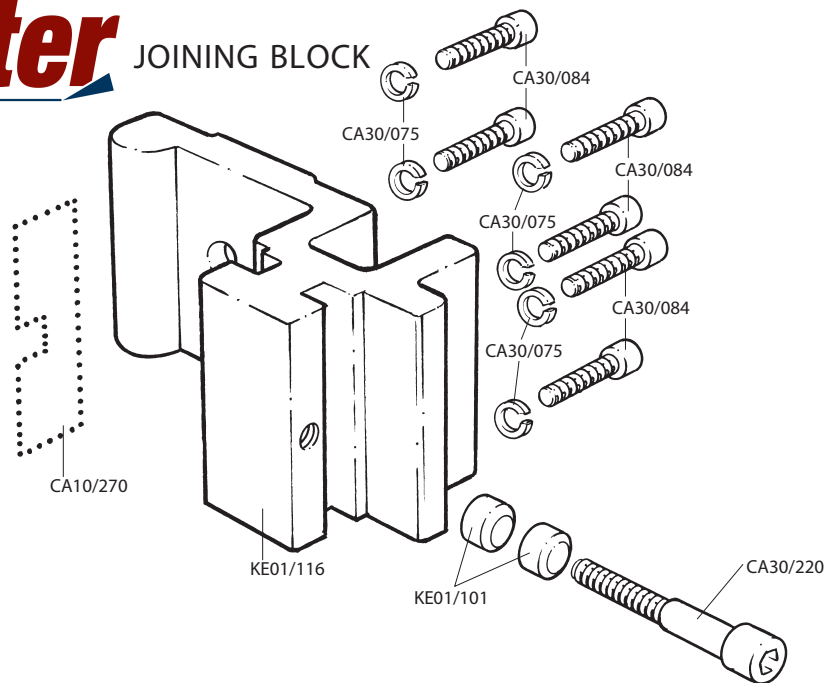
15



Foster

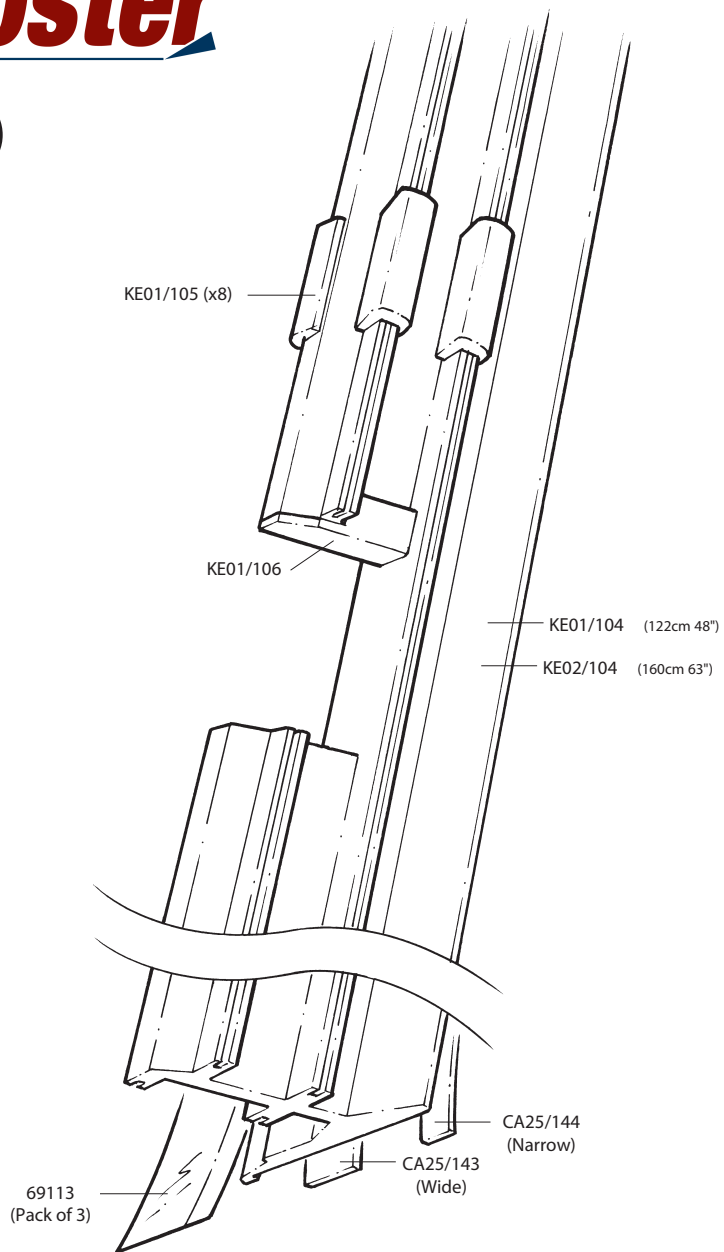
JOINING BLOCK

16



Foster CLAMP BAR

17



18

