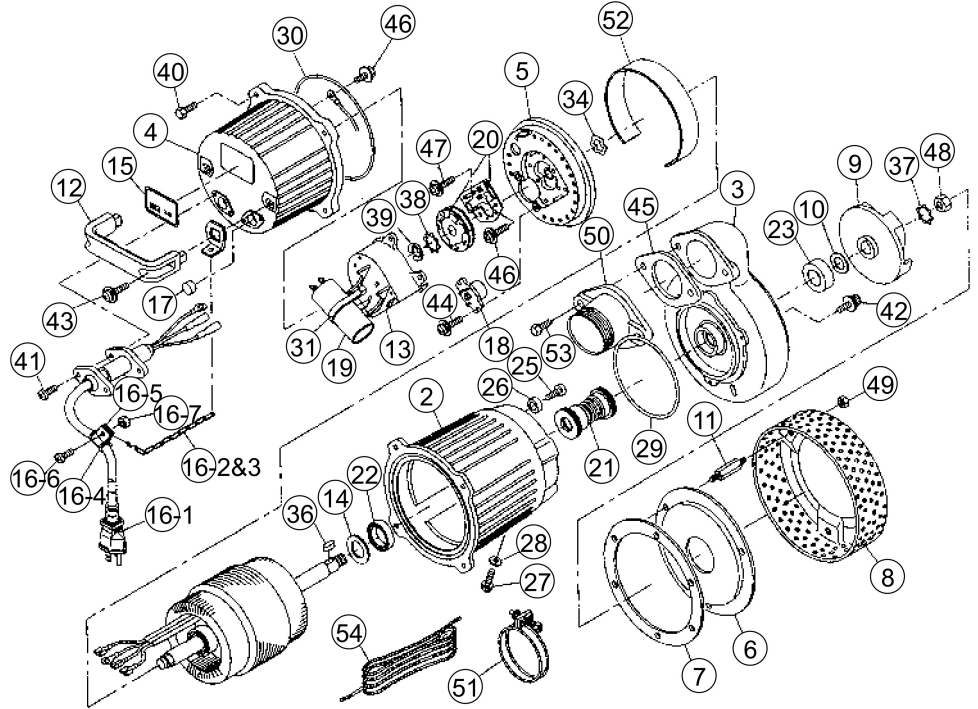


**2" SUBMERSIBLE
SIDE DISCHARGE
1/2 HP 110V**



REF NO.	PART NO.	DESCRIPTION	QTY.
1	0398133	MOTOR ASSEMBLY	1
2	0390473	FRAME	1
3	0390011	CASING	1
4	0390474	HEAD COVER	1
5	0390475	BRACKET	1
6	0390016	SUCTION COVER	1
7	0390504	SUCTION COVER GASKET	1
8	0390017	STRAINER	1
9	0390030	IMPELLER	1
10	0390025	ADJUSTING WASHER	1
11	0390508	STUD BOLT	3
12	0390509	HANDLE	1
13	0390476	CENT. FORCE SWITCH COVER	1
14	0390590	BEARING WASHER	1
15		LABEL	1
16-1	0430088	POWER CORD	1
16-2	390027	CHAIN ASSEMBLY 16-2 & 16-3	1
16-4	0390031	CORD SUPPORTER	1
16-5	0260018	CORD BAND	1
16-6	703305100	SCREW M5 x 10	1
16-7	827305005	HEX NUT	1
17	0390501	HEAD BUSHING	1
18	0390544	THERMAL PROTECTOR	1
19	0390002	CONDENSER	1
20	0390028	CENT. FORCE SWITCH	1
21	0430243	MECHANICAL SEAL	1
22	0390488	OIL SEAL	1
23	0390512	OIL SEAL	1

REF NO.	PART NO.	DESCRIPTION	QTY.
25	0340153	SCREW M6 X 8	1
26	0340142	SEAL RING	1
27	0390037	HEX SOCKET BOLT M10 x 12	1
28	854255010	SEAL WASHER	1
29	889955100	O-RING G100	1
30	0430003	HEAD GASKET	1
31	0390485	BAND	1
34	0390490	WAVE WASHER	1
36	0390519	KEY	1
37	0390520	TOOTHED WASHER	1
38	0390492	WAVE WASHER	1
39	0390493	STOP RING	1
40	0390494	HEX BOLT M6 x 20	4
41	0390495	SCREW M5 x 14	2
42	0390521	HEX SOCKET BOLT M6 x 16	3
43	0390522	SCREW M6 x 20	2
44	0390496	SCREW M4 x 20	2
45	0390559	DELIVERY GASKET	1
46	0390497	SCREW M4 x 8	3
47	0390498	SCREW M3 x 6	2
48	0390523	HEX NUT M10	1
49	0390524	HEX NUT M8	3
50	0430143	DELIVERY FLANGE	1
51	940019060	HOSE BAND	1
52	0390500	SUPPORTER	1
53	0390522	HEX BOLT M6 x 20	2
54	0390101	ROPE	1

