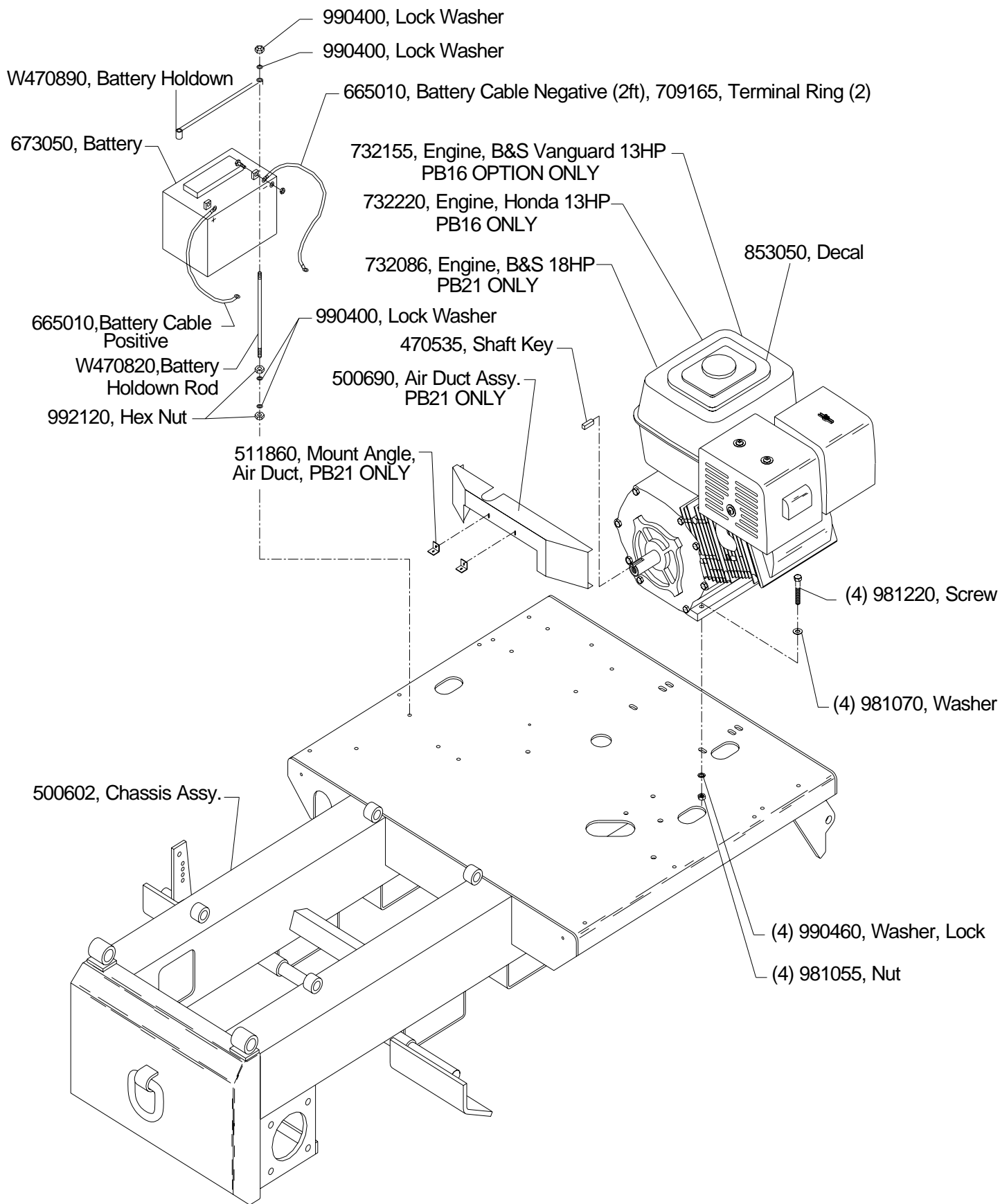




TEREX
LIGHT CONSTRUCTION

OMP16/21
POWER BUGGY
OPERATOR/PARTS
MANUAL

REVISED FEBRUARY 2006





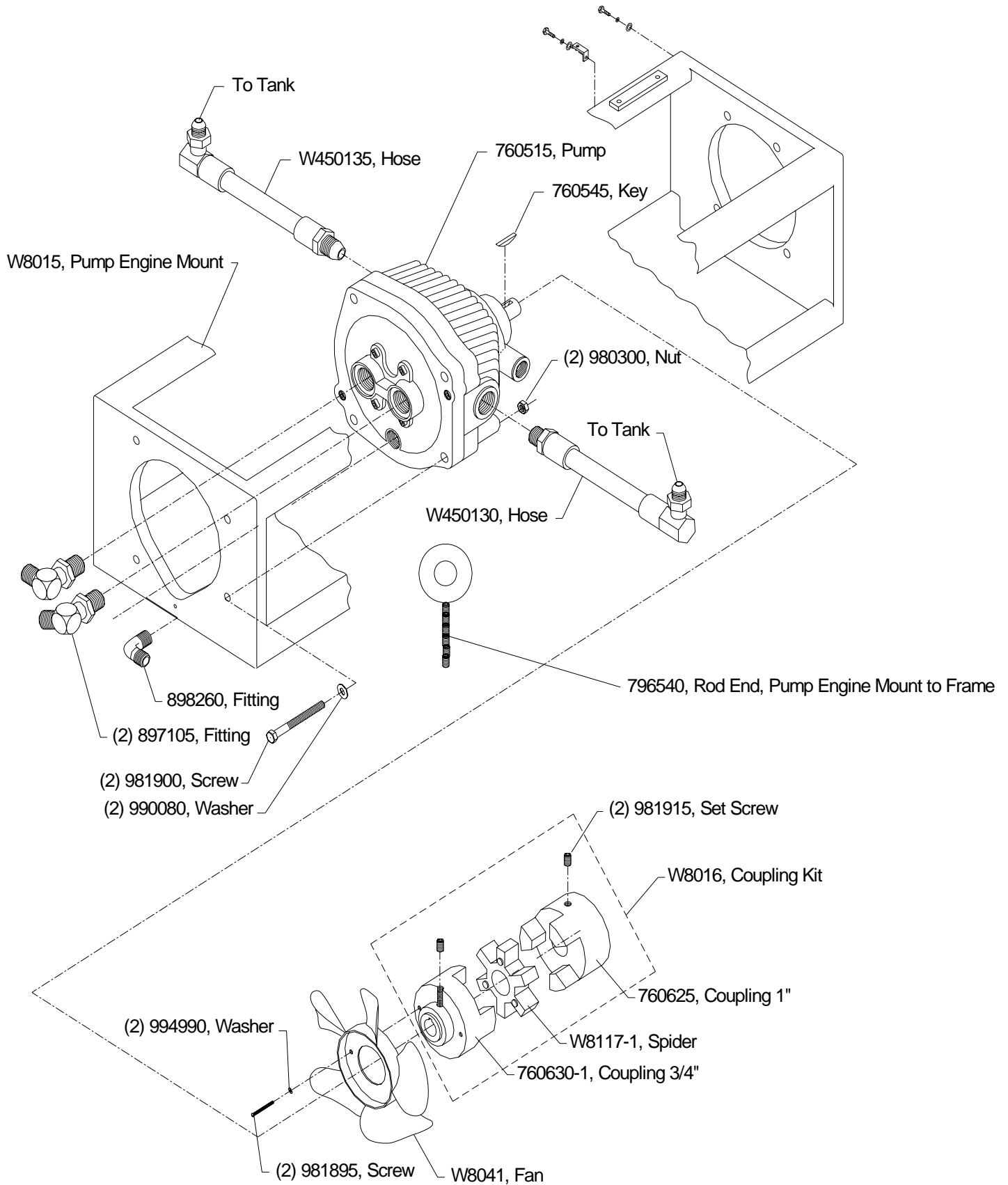
TEREX
LIGHT CONSTRUCTION

Model:

0MPB16/21

Title:

Pump and Coupling





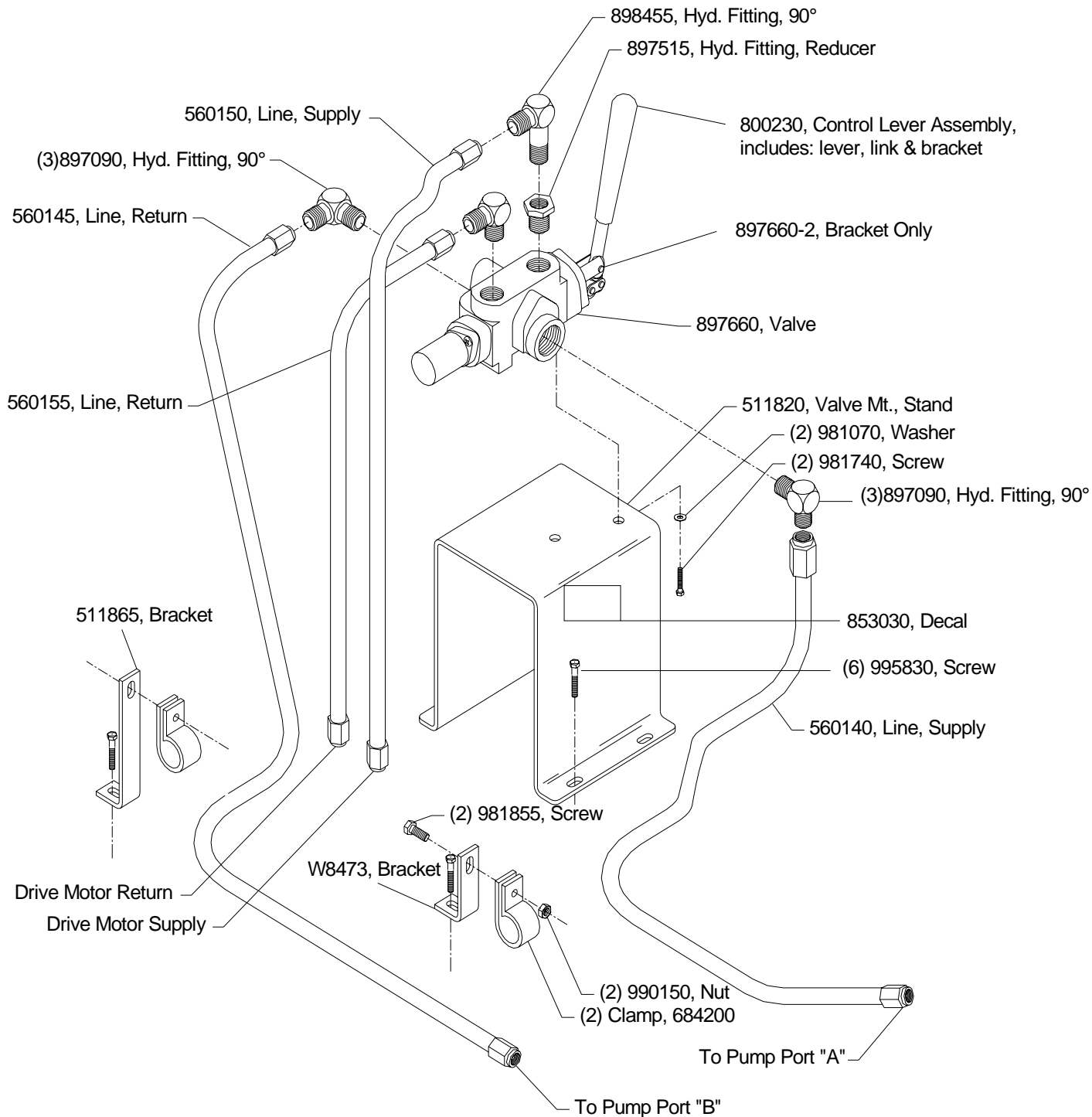
TEREX
LIGHT CONSTRUCTION


Model:

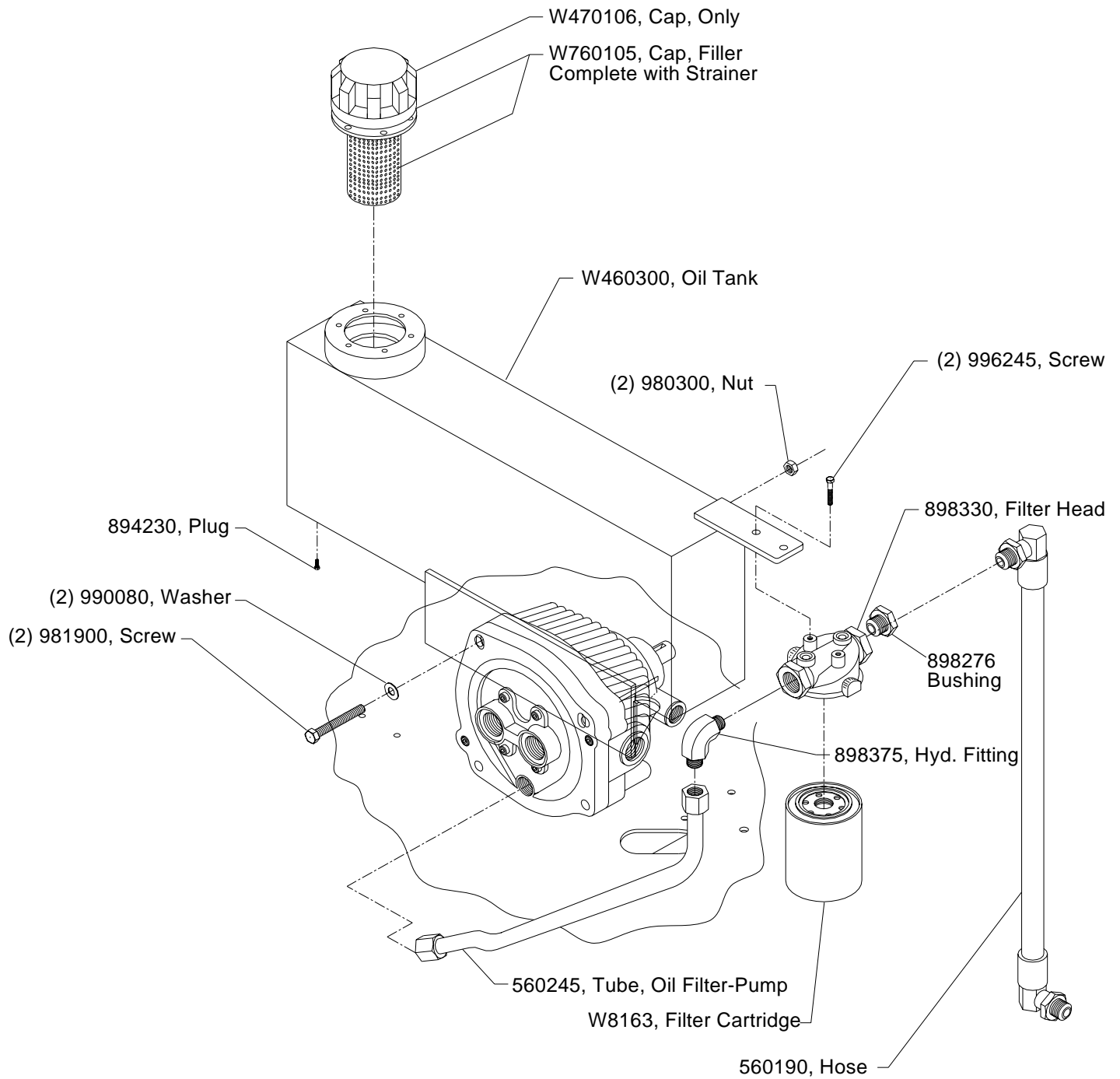
OMPB16/21

Title:

Pump and Coupling



	Model:	OMP16/21
	Title:	Hydraulic Oil Reservoir

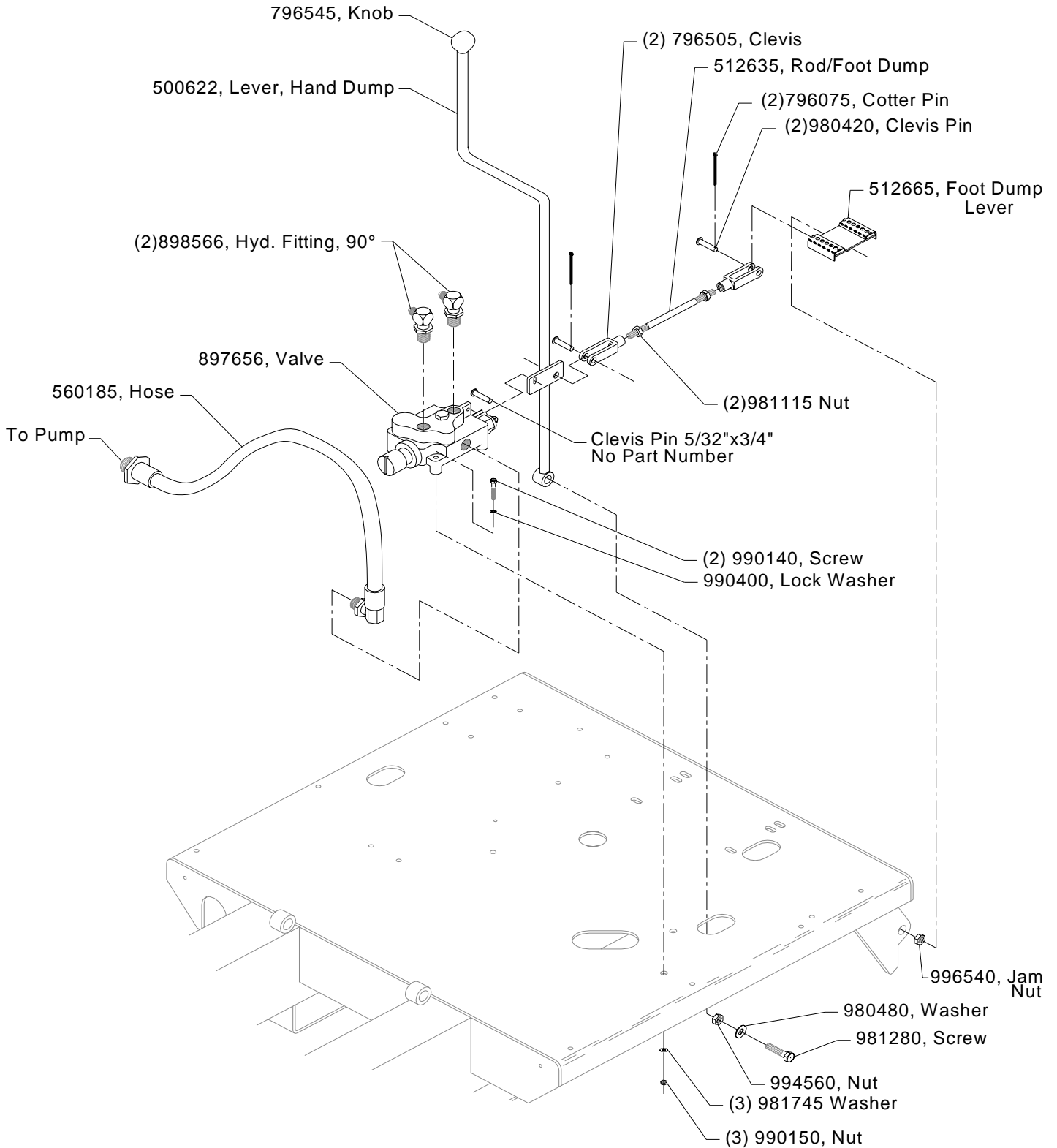




TEREX
LIGHT CONSTRUCTION

Model: OMPB16/21

Title: Dump Valve





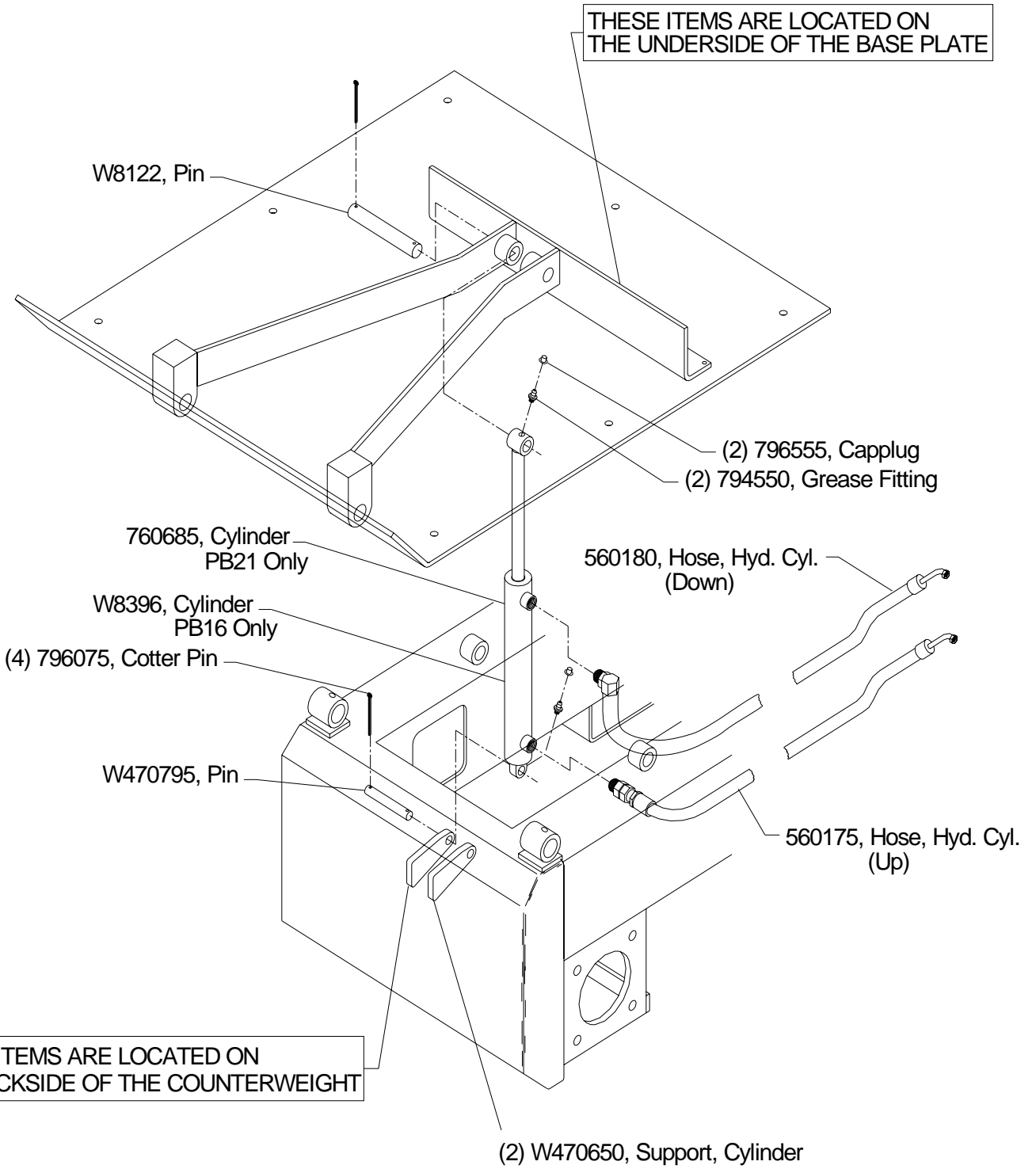
TEREX
LIGHT CONSTRUCTION

Model:

OMP16/21

Title:

Dump Cylinder Assembly





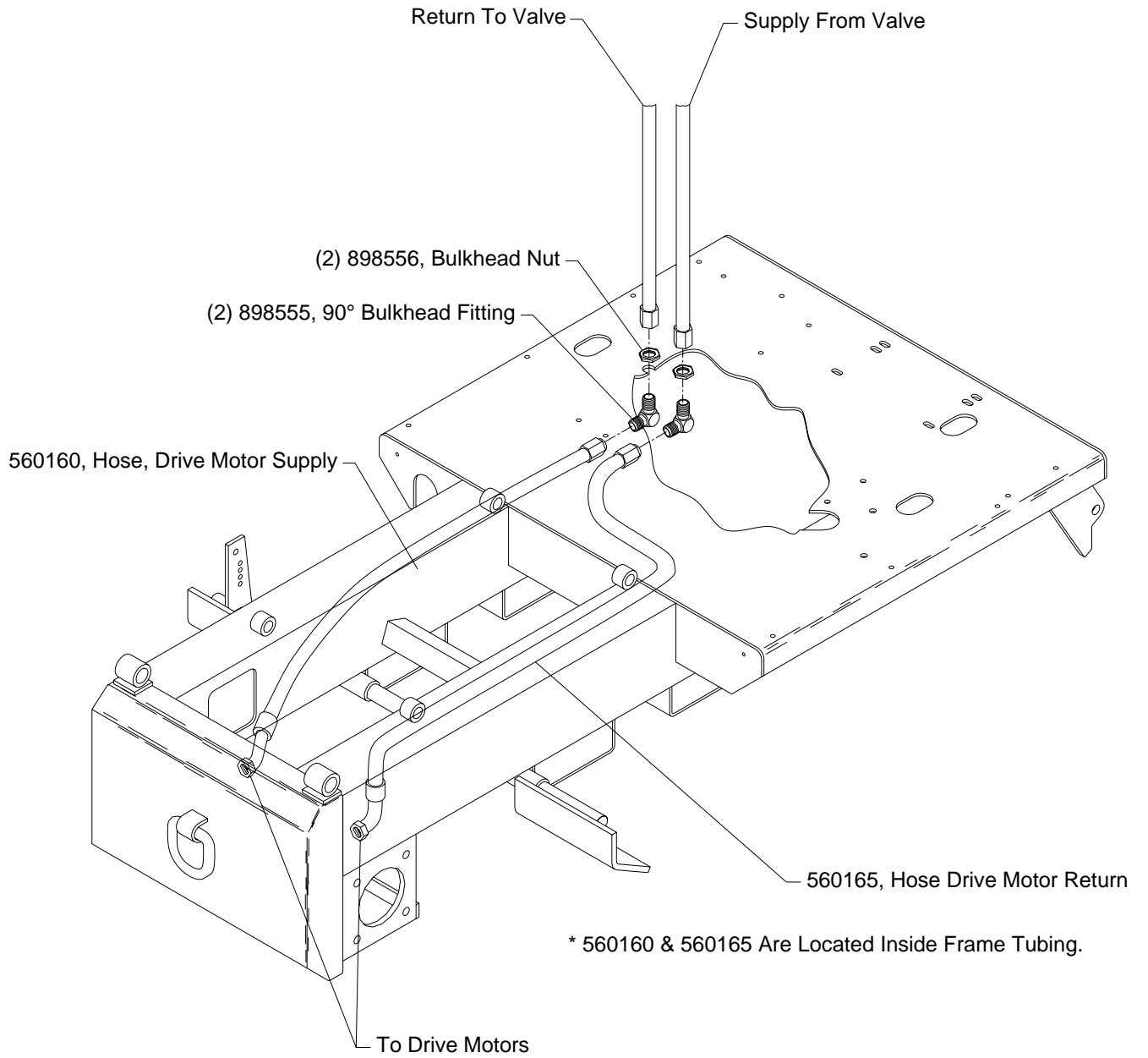
TEREX
LIGHT CONSTRUCTION

Model:

OMP16/21

Title:

Drive Motor Hydraulic System

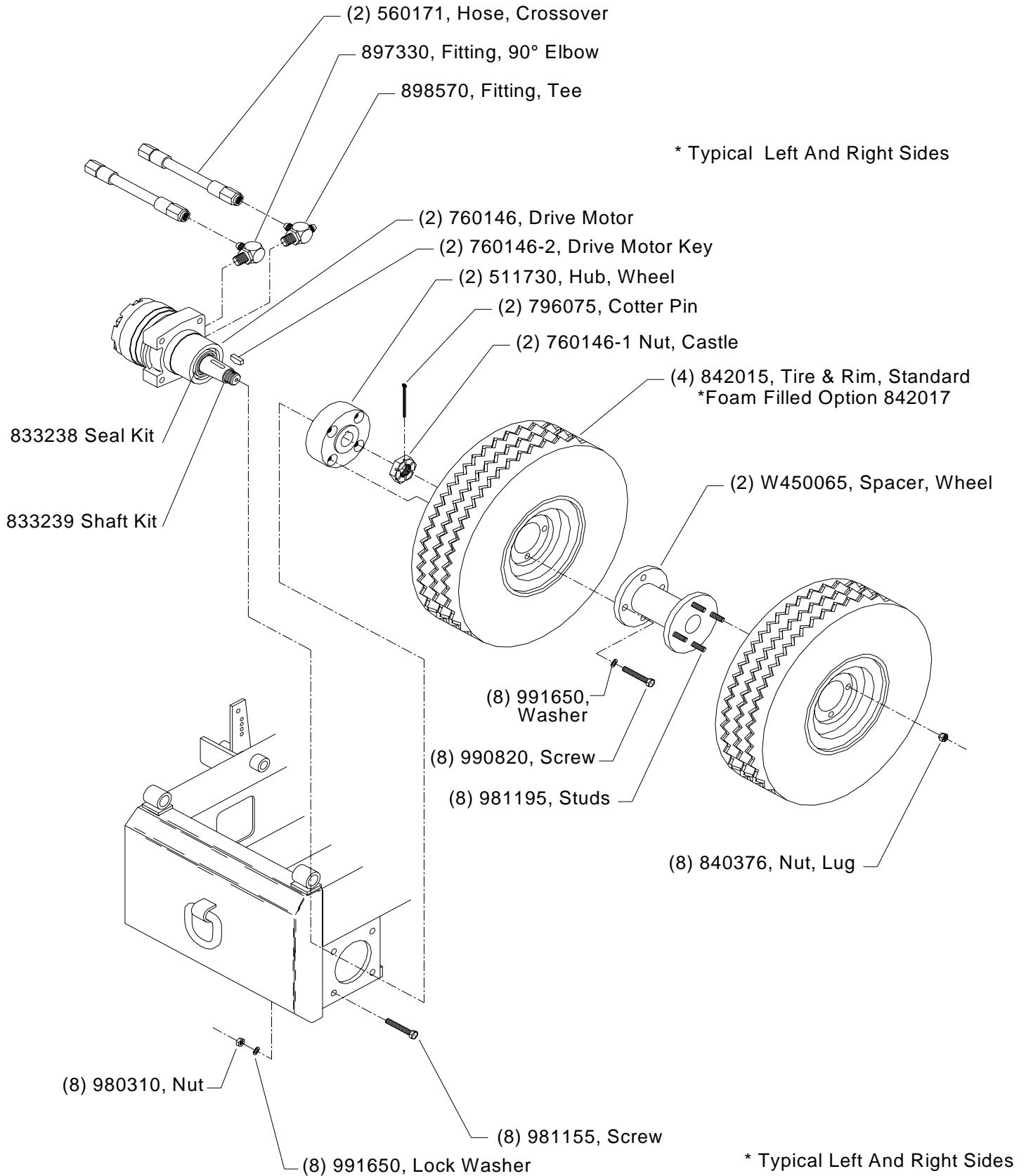




TEREX
LIGHT CONSTRUCTION

Model: OMPB16/21

Title: Drive Motor to Frame Assembly

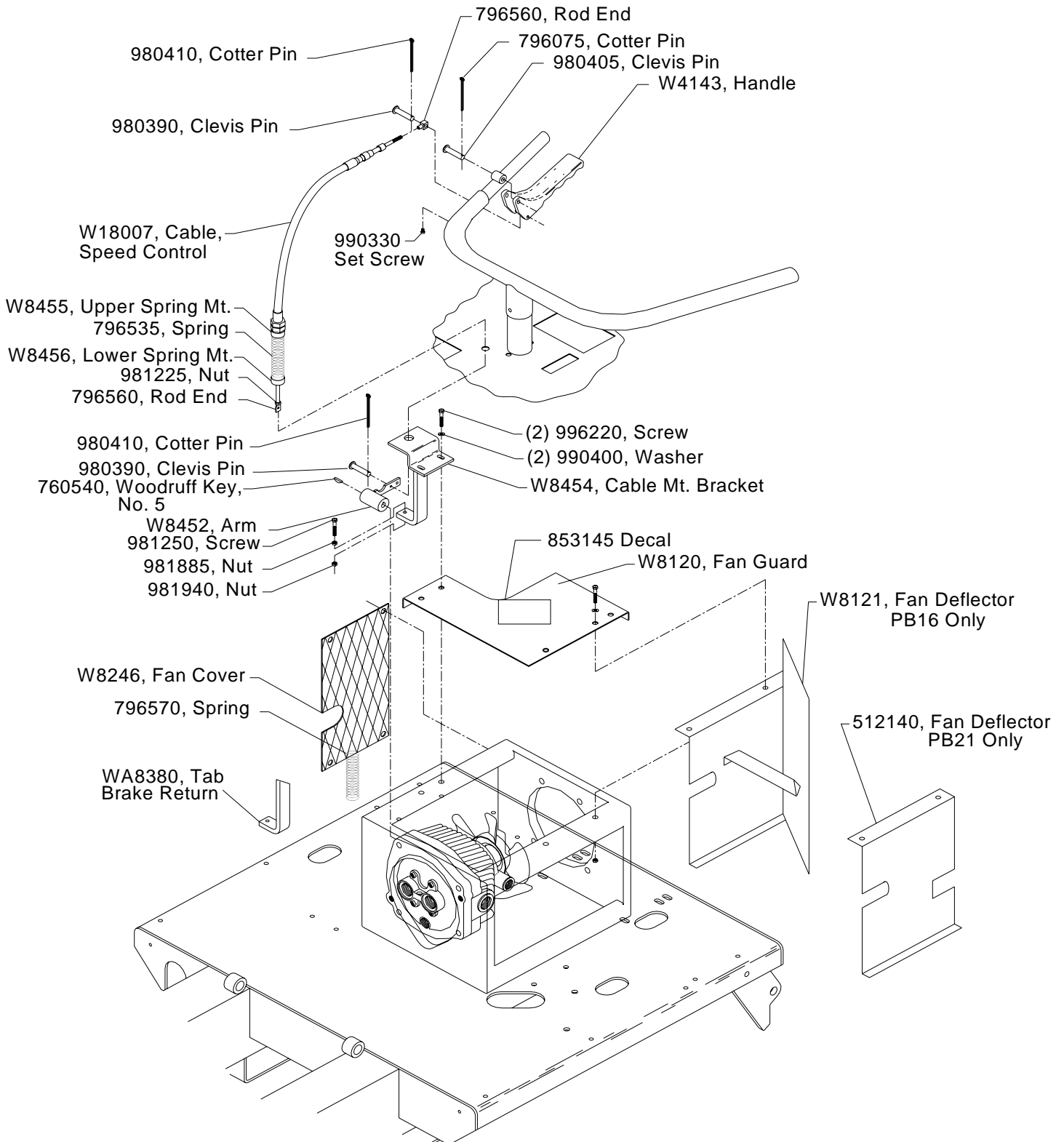




TEREX
LIGHT CONSTRUCTION

Model: OMPB16/21

Title: Speed Control Assembly





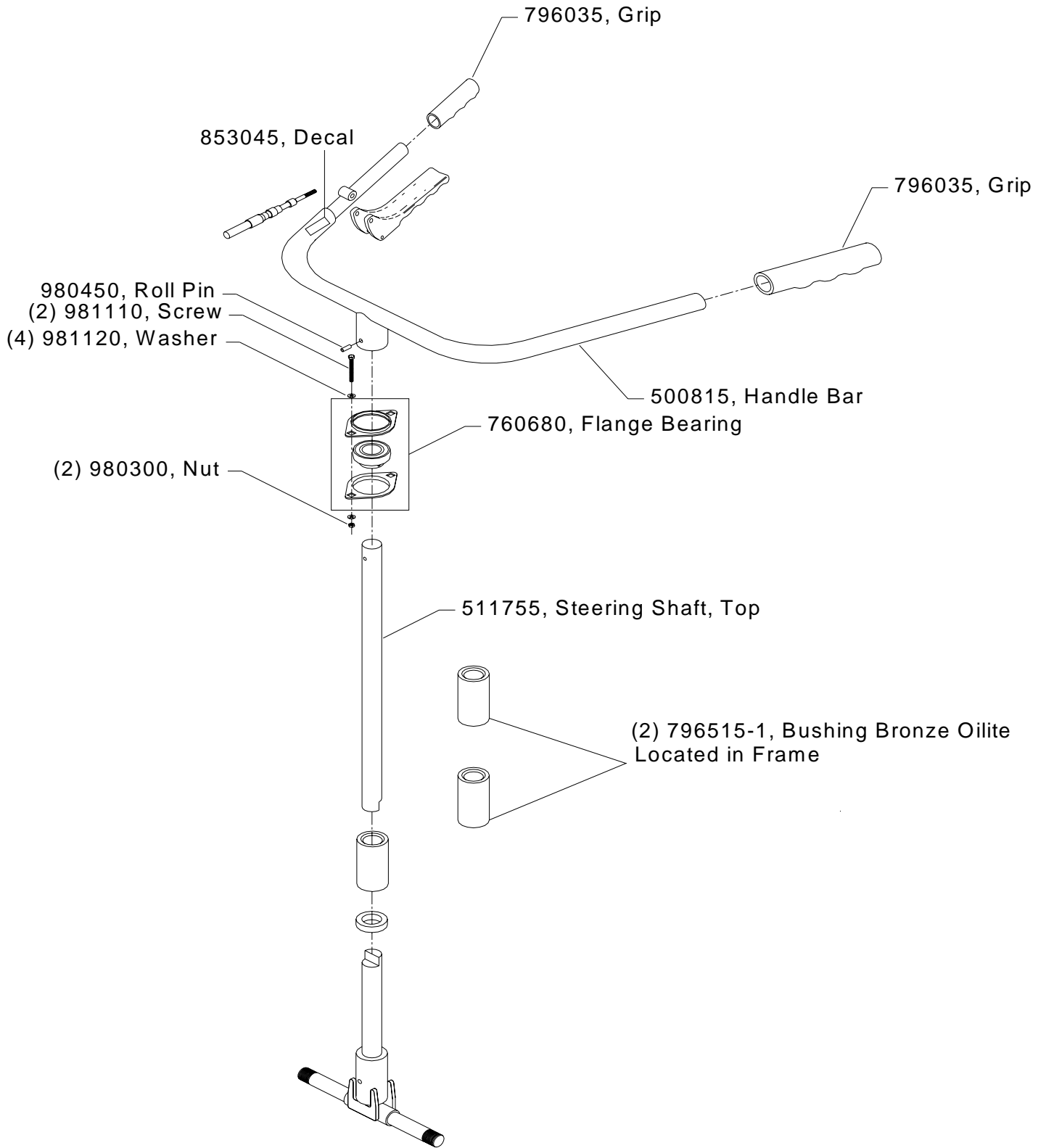
TEREX
LIGHT CONSTRUCTION

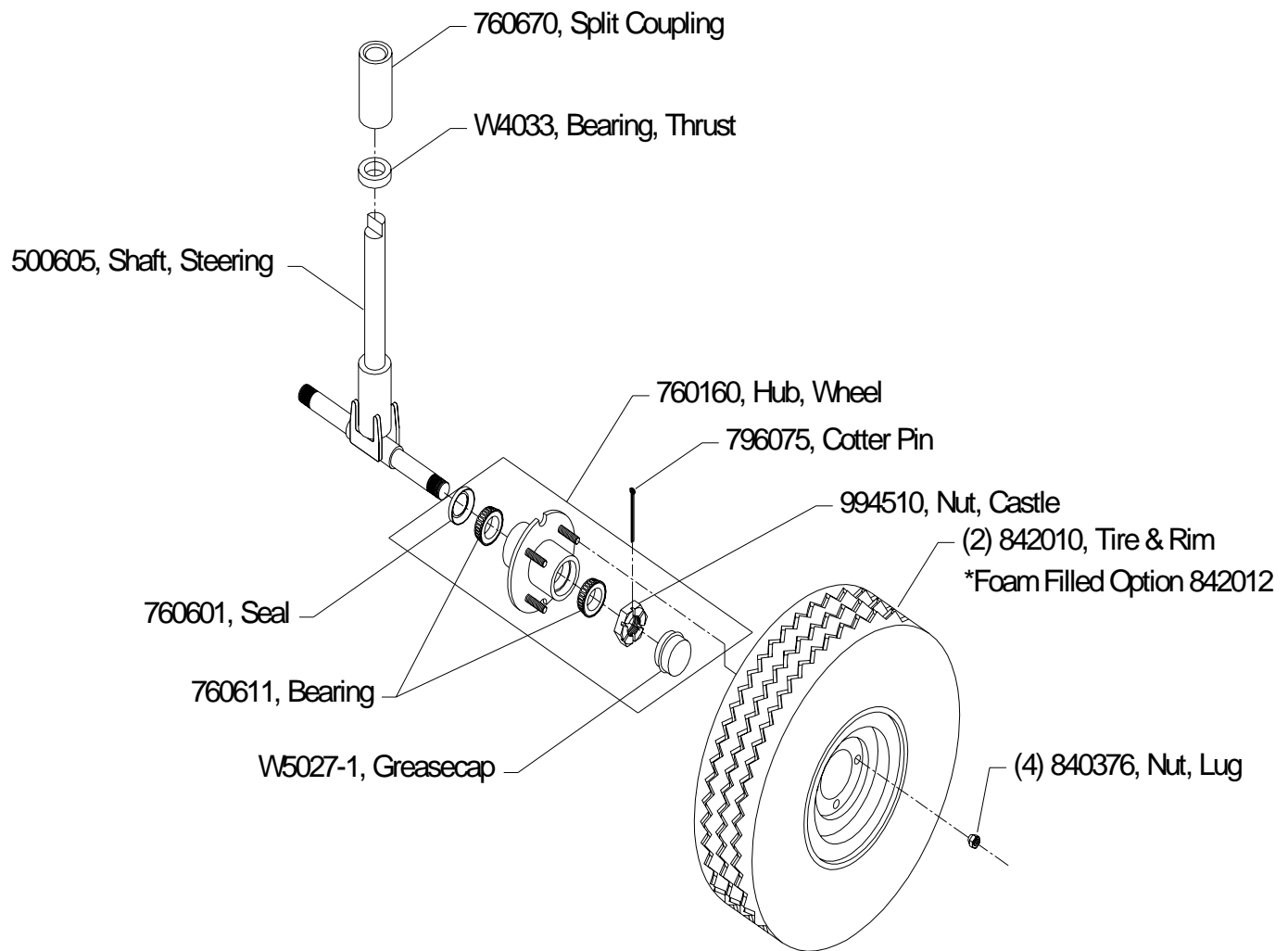
Model:

OMP16/21

Title:

Handle Bar to Steering Shaft







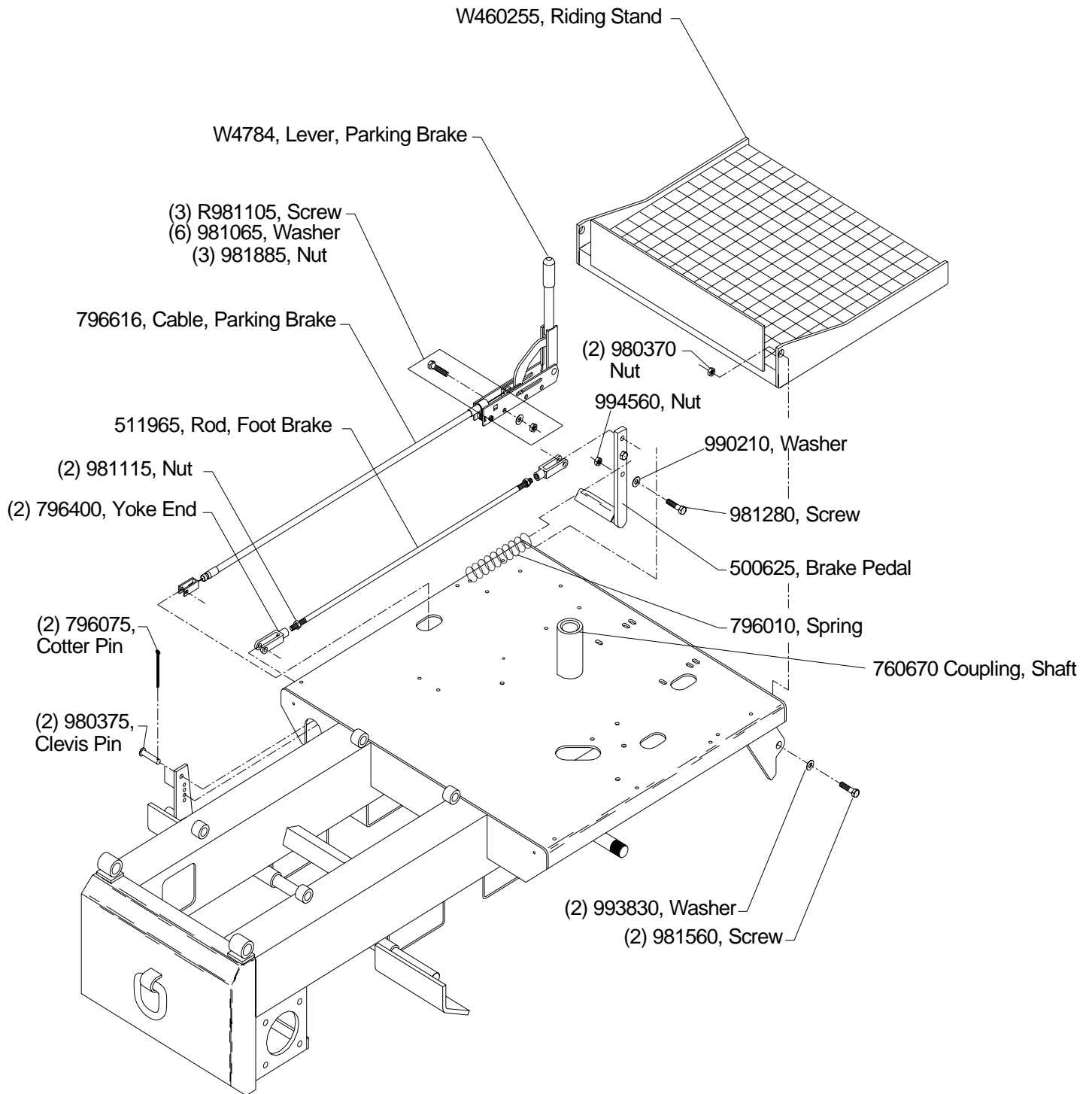
TEREX
LIGHT CONSTRUCTION

Model:

OMP16/21

Title:

Brake / Riding Stand





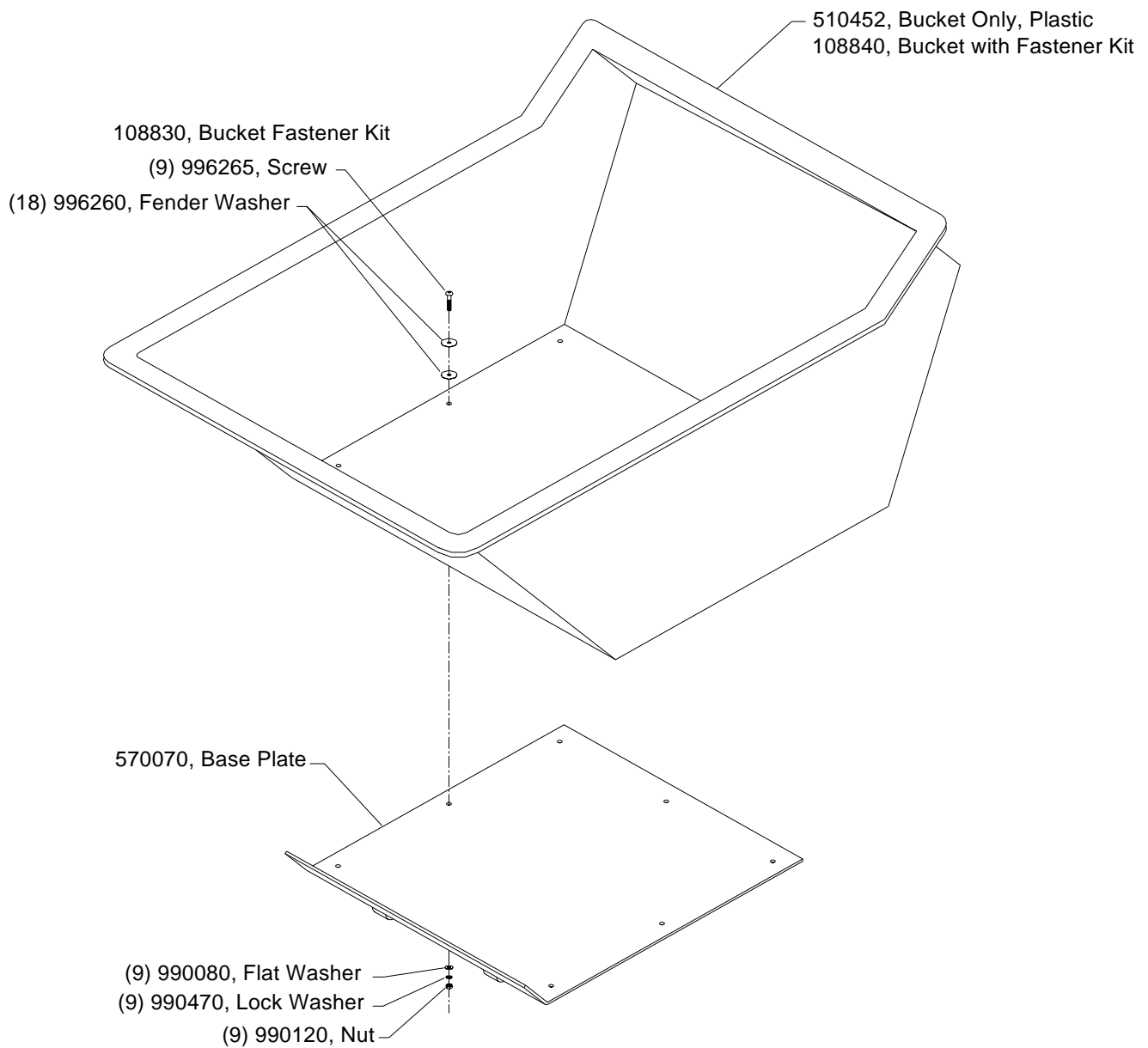
TEREX
LIGHT CONSTRUCTION

Model:

OMP B16

Title:

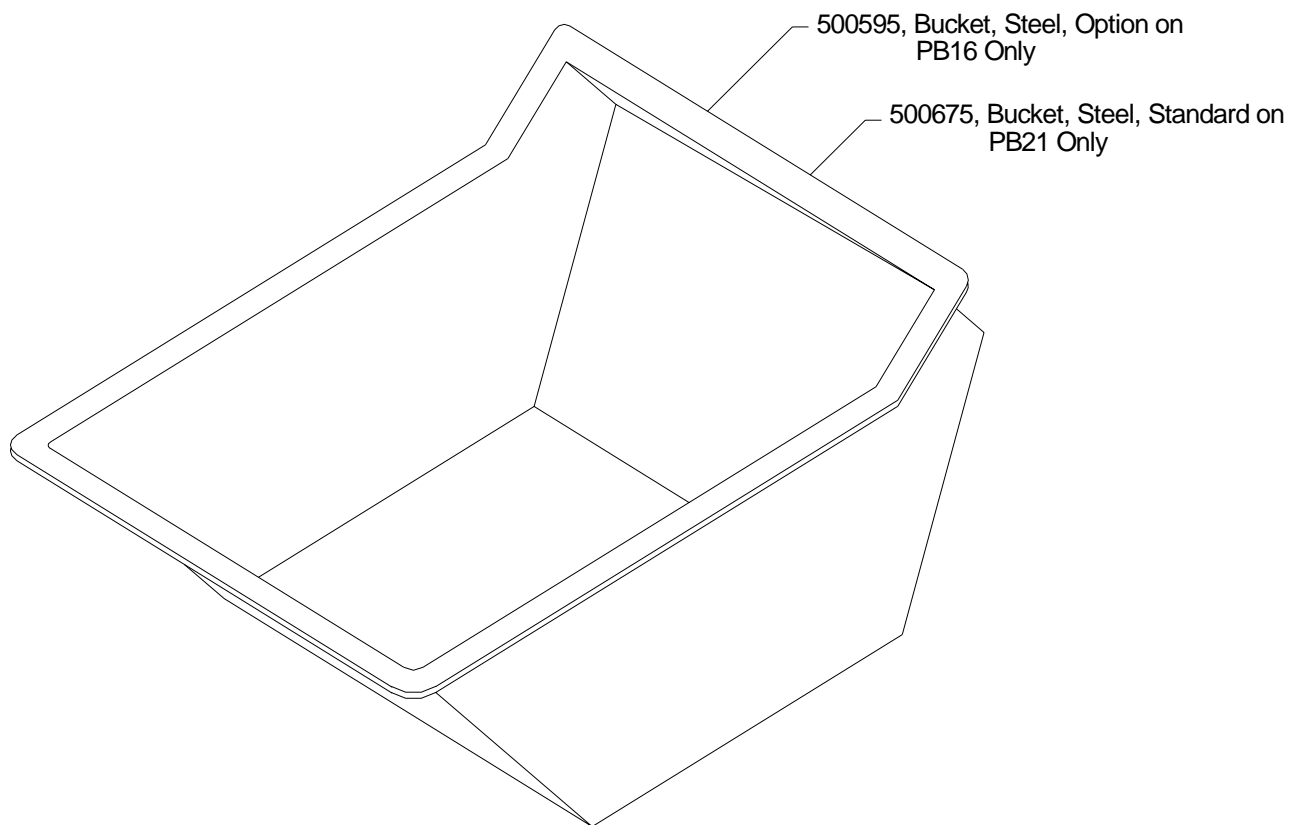
Plastic Bucket Assembly





TEREX
LIGHT CONSTRUCTION

Model:	0MPB16/21	
Title:	Steel Bucket Assembly	





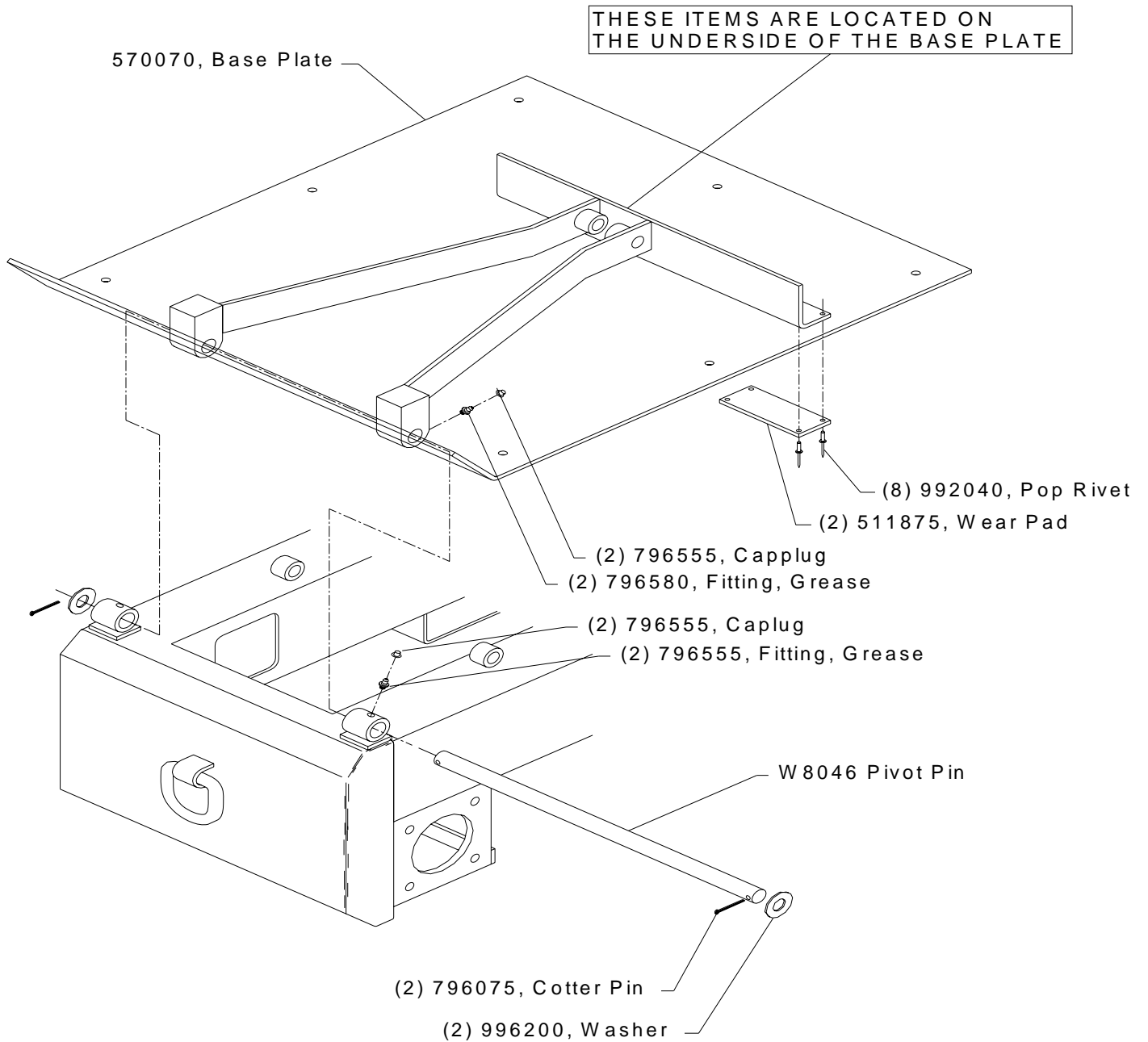
TEREX
LIGHT CONSTRUCTION

Model:

OMP16/21

Title:

Bucket to Frame

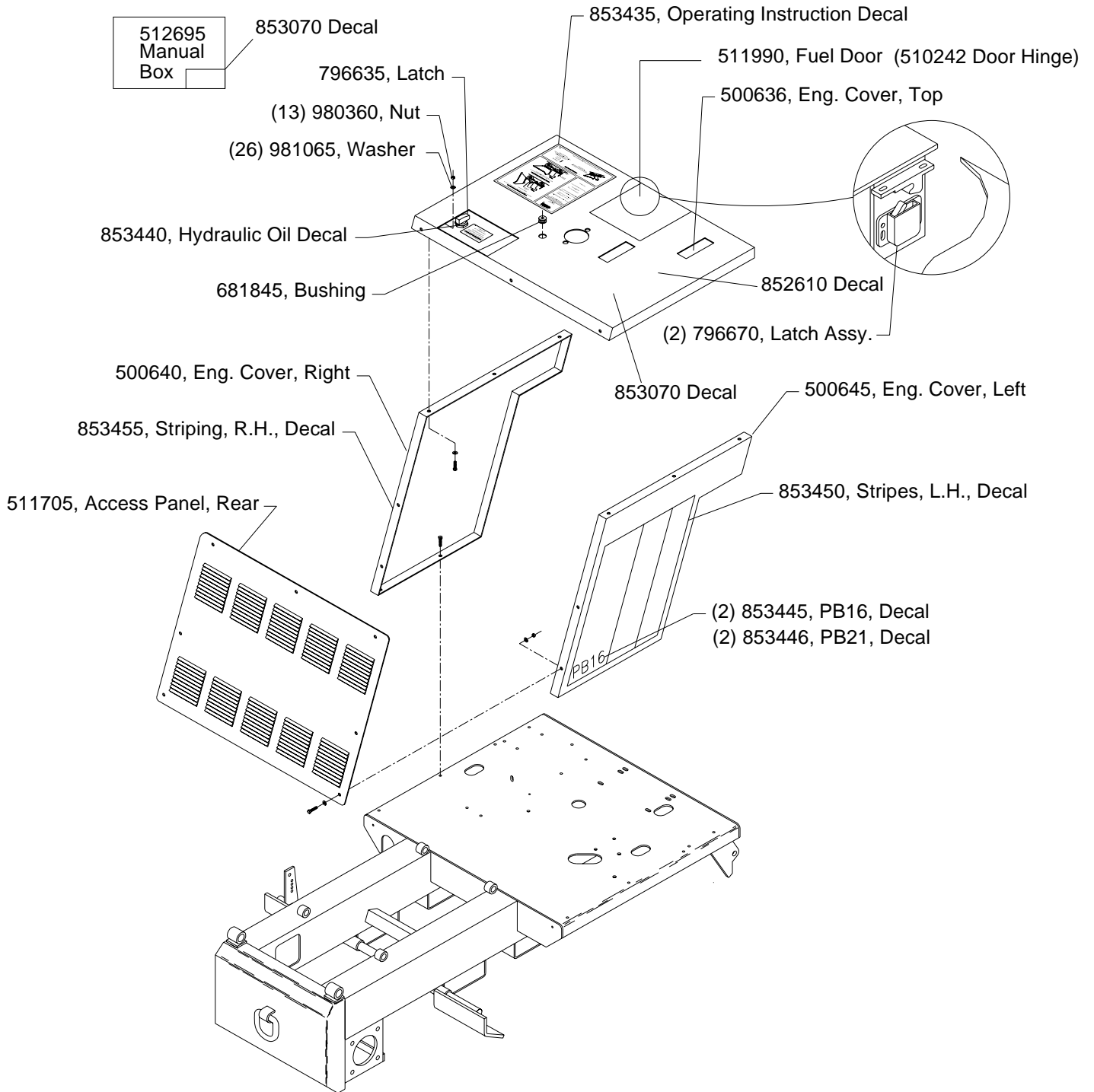




TEREX
LIGHT CONSTRUCTION

Model:	OMP16/21
Title:	Engine Cover Assembly

108570 DECAL KIT, PB16
108575 DECAL KIT, PB21





TEREX
LIGHT CONSTRUCTION

Model:

OMP16/21

Title:

Engine Cover Assembly

