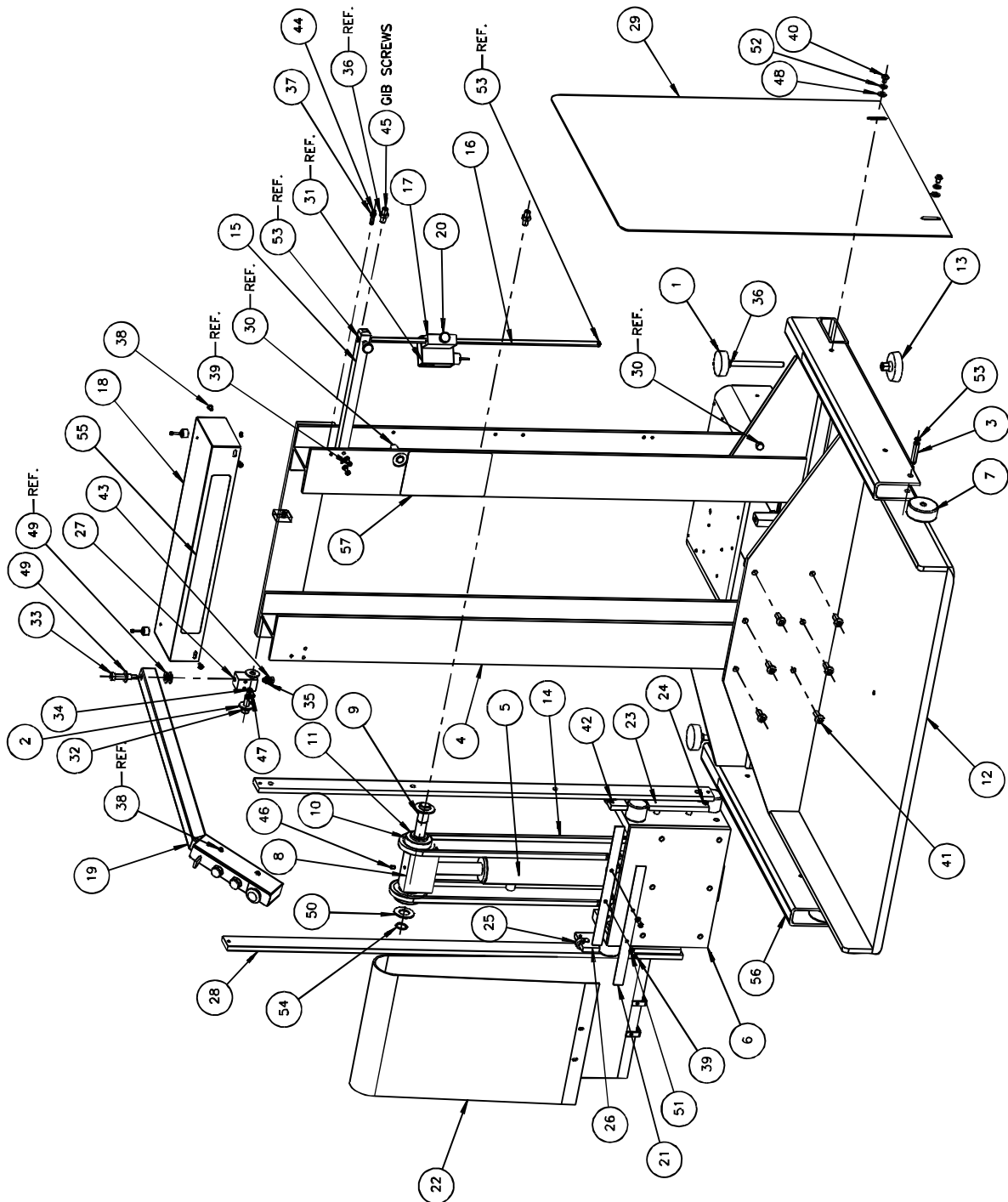


# 8.0 Appendix B—Parts List

## 8.1 Mechanical

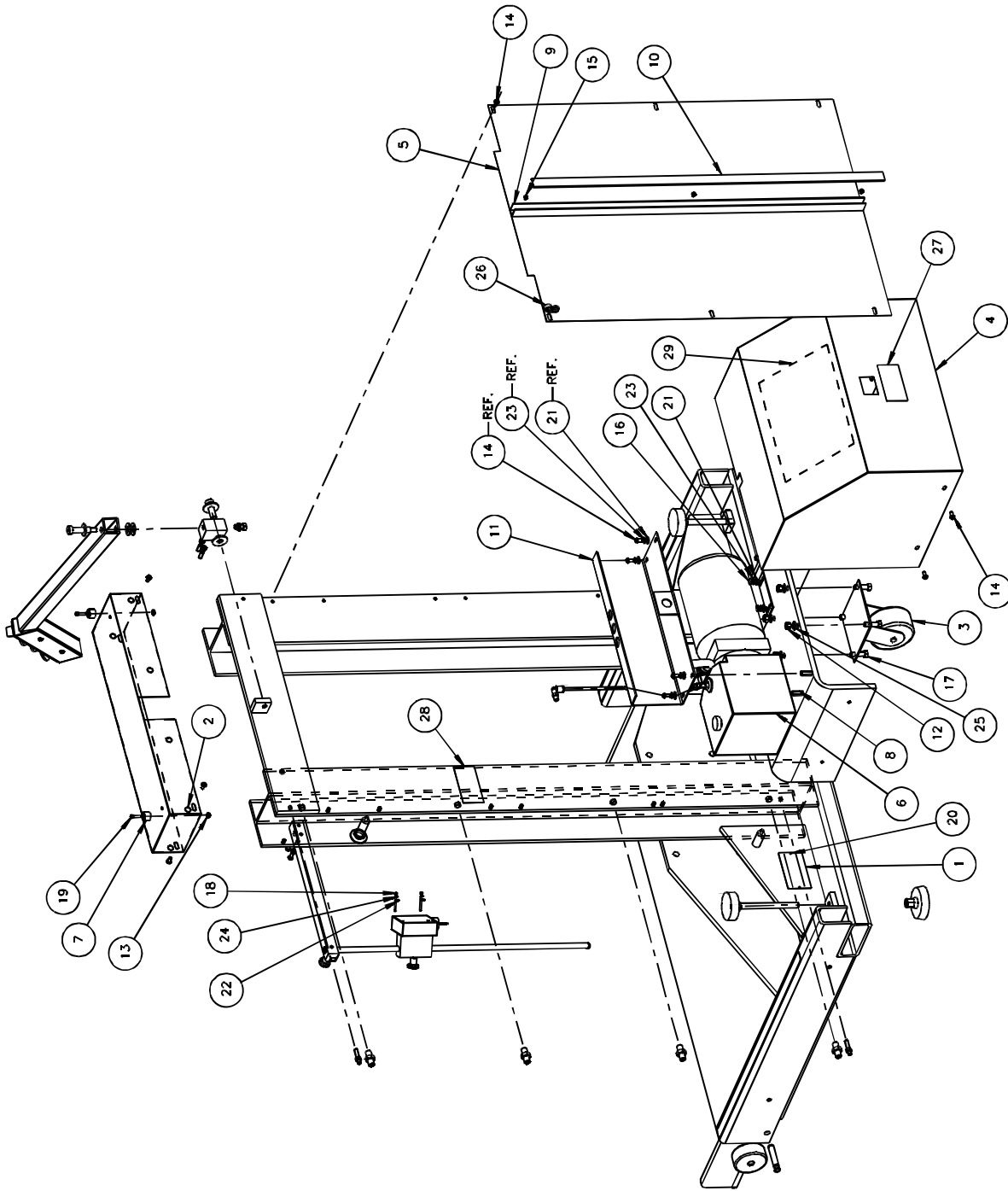
### 8.1.1 51000 Main Assembly- Front View



## 8.1.2 51000 Main Assembly- Front View Parts List

NO.	PART NO.	DESCRIPTION	QTY
1	5710	KNOB	2
2	11288	NYLON WASHER	2
3	47063	PIN- CLAMP CYLINDER CLEVIS	2
4	51001	FRAME	1
5	51014	CYLINDER ASSEMBLY	1
6	51015	CARRIAGE- MACHINED	1
7	51020	WHEEL	2
8	51024	BLOCK- SPROCKET MNT	1
9	51025	PIN- SPROCKET	1
10	51027	SPROCKET	2
11	51028	BEARING	2
12	51030	PLATFORM	1
13	51035	FOOT ASSEMBLY	2
14	51040	CHAIN	2
15	51041	ARM- PHOTO-SENSOR	1
16	51042	ROD- PHOTO-SENSOR	1
17	51043	BLOCK- PHOTO-SENSOR	1
18	51046	COVER- TOP	1
19	51052	CONTROL ARM ASM	1
20	51056	KNOB ASM.	2
21	51059	BELT STIFFENER	2
22	51060	CHAIN COVER	1
23	51062	BACKER PLATE- RH	1
24	51064	ROLLER PIN	4
25	51065	YOKE CAM FOLLOWER	4
26	51066	BACKER PLATE- LH	1
27	51068	PIVOT BLOCK	1
28	51070	GIB	2
29	51071	SKIRT	1
30	E-2204-5	PROXIMATY SWITCH	2
31	E-2318-3	PHOTOELECTRIC SENSOR	1
32	H-5254-812	SCREW - 1/2 X 1.500 SHSS	1
33	H-5254-814	SCREW - 1/2 X 1.750 SHSS	1
34	H-6424-4	NUT - 1/4-20 HEX JAM	2
35	H-6424-6	NUT - 3/8-16 HEX JAM	1
36	H-6424-8	NUT - 1/2-13 HEX JAM	14
37	H-6442-4	NUT - 1/4-20 NYLOC	4
38	H-6910-404	SCREW - 1/4-20 X .500 BUTTON HEAD CAP	24
39	H-6910-406	SCREW - 1/4-20 X .750 BUTTON HEAD CAP	4
40	H-6910-604	SCREW - 3/8-16 X .500 BUTTON HEAD CAP	2
41	H-6910-810	SCREW - 1/2-13 X 1.250 BUTTON HEAD CAP	6
42	H-6910-102406	SCREW - #10-24 X .750 BUTTON HEAD CAP	8
43	H-6913-606	SCREW - 3/8-16 X .750 HEX HEAD CAP	1
44	H-6938-424	SCREW - 1/4-20 X 1.500 CUP SOC SET	4
45	H-6938-824	SCREW - 1/2-13 X 1.500 CUP SOC SET	8
46	H-6940-406	SCREW - 1/4-20 X .375 FLAT SOC SET	1
47	H-6940-412	SCREW - 1/4-20 X .750 FLAT SOC SET	2
48	H-7321-6	WASHER - 3/8 SAE PLAIN	2
49	H-7321-8	WASHER - 1/2 SAE PLAIN	3
50	H-7321-16	WASHER - 1" SAE PLAIN	4
51	H-7324-8	WASHER - 1/4 INT TOOTH	18
52	H-7327-12	WASHER - 3/8 MEDIUM LOCK	6
53	S-1073-50	RETAINING RING	7
54	S-1073-100	RETAINING RING	2
55	S-1781-96	LABEL	1
56	S-1781-97	LABEL	2
57	S-1781-99	LABEL	1

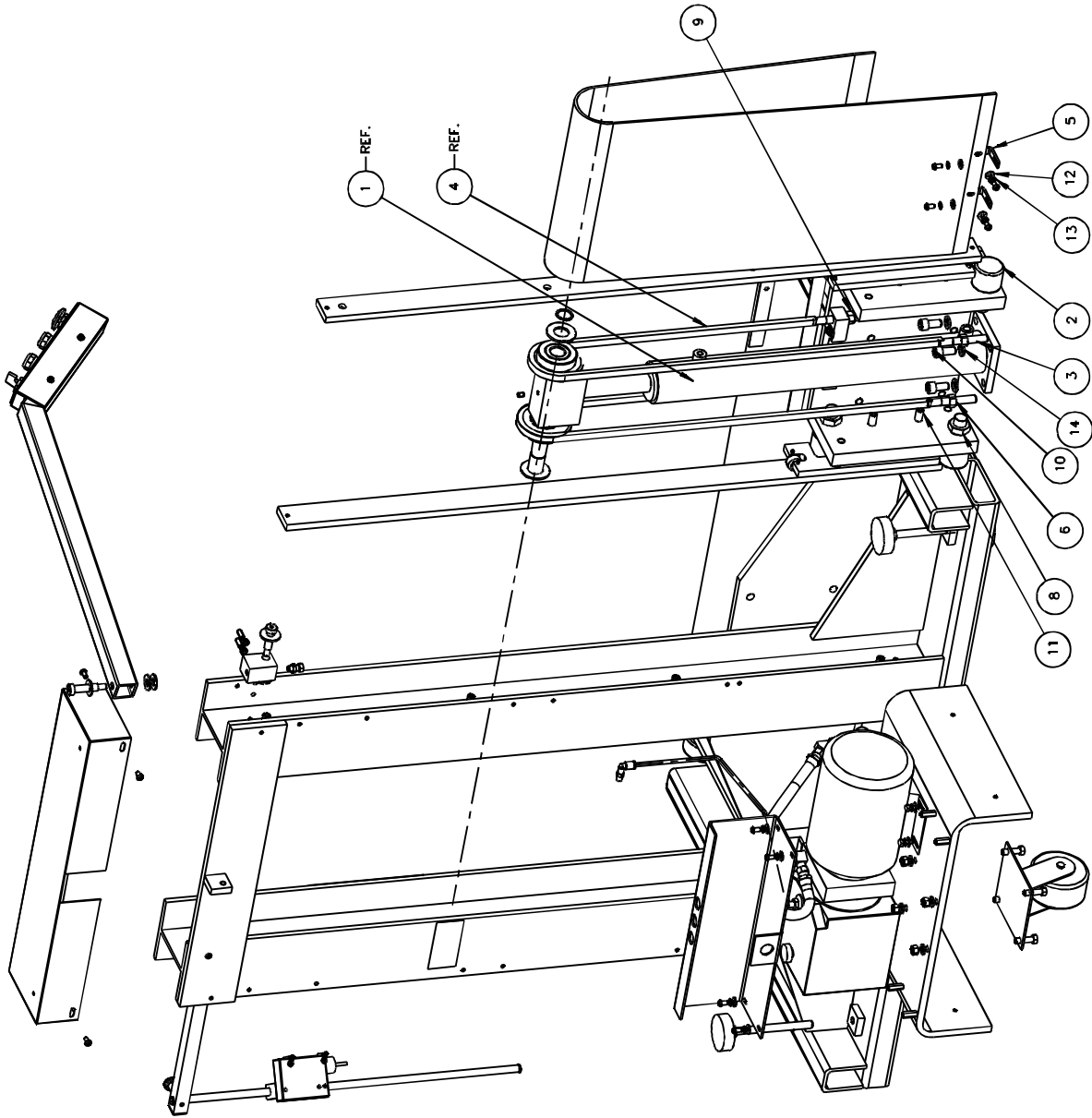
8.1.3 51000 Main Assembly- Right Rear



## 8.1.4 51000 Main Assembly- Right Rear Parts List

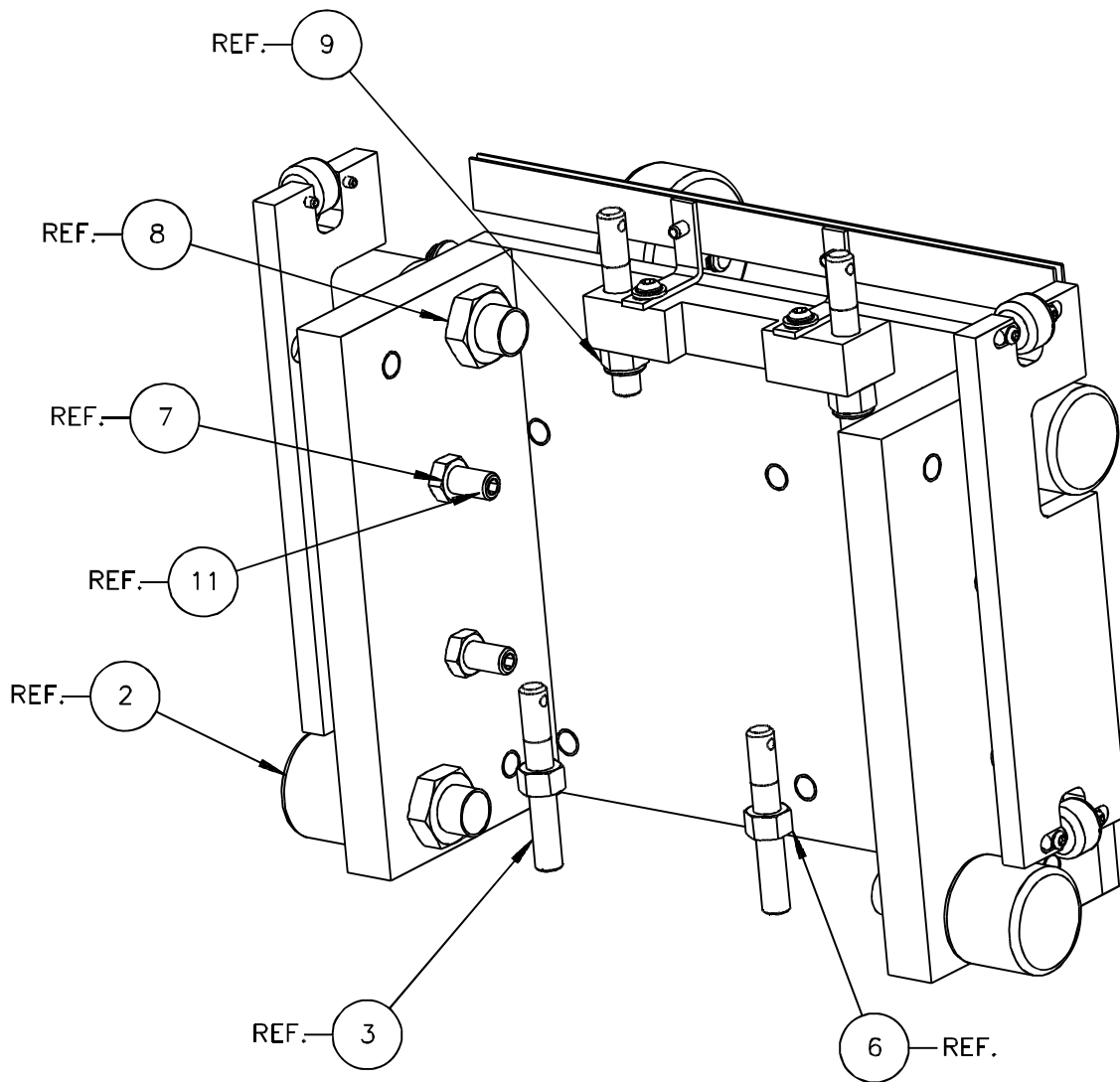
NO.	PART NO.	DESCRIPTION	QTY
1	14050	SERIAL PLATE	1
2	41074	POLYURETHANE DOT	6
3	51029	CASTER	1
4	51047	COVER- HPU	1
5	51050	COVER- REAR	1
6	51061	HYDRAULIC POWER UNIT	1
7	A-11074	FOOT - RUBBER	2
8	E-1152-51	STANDOFF	4
9	E-1429-20	WIRING DUCT	1
10	E-2719-16	WIRING DUCT COVER	1
11	EE-2942	POWER PANEL ASSEMBLY	1
12	H-6417-6	NUT - 3/8-16 HEX	4
13	H-6423-N10	NUT - #10-24 HEX KEP	2
14	H-6910-404	SCREW - 1/4-20 X .500 BUTTON HEAD CAP	24
15	H-6925-83204	SCREW - #8-32 X .250TRUSS HEAD MACHINE	3
16	H-6913-406	SCREW - 1/4-20 X .750 HEX HEAD CAP	4
17	H-6913-610	SCREW - 3/8-16 X 1.250 HEX HEAD CAP	4
18	H-6918-63212	SCREW - #6-32 X 1.500 SHCS	2
19	H-6918-102406	SCREW - #10-24 X .750 SHCS	2
20	H-6924-004	SCREW - #0 X .250 DRIVE SCREW	2
21	H-7321-4	WASHER - 1/4 SAE PLAIN	14
22	H-7321-N6	WASHER - #6 SAE PLAIN	2
23	H-7324-8	WASHER - 1/4 INT TOOTH	18
24	H-7324-N6	WASHER - #6 INT TOOTH	2
25	H-7327-12	WASHER - 3/8 MEDIUM LOCK	6
26	S-1694-3	CABLE TIE	1
27	S-1781-11	LABEL- SHOCK HAZARD	1
28	S-1781-16	LABEL- CRUSH HAZARD	1
29	S-1781-100	LABEL- INTERCONNECTION/FUSE	1

8.1.5 51000 Main Assembly- Left Rear



8.1.6 51000 Main Assembly- Left Rear Parts List

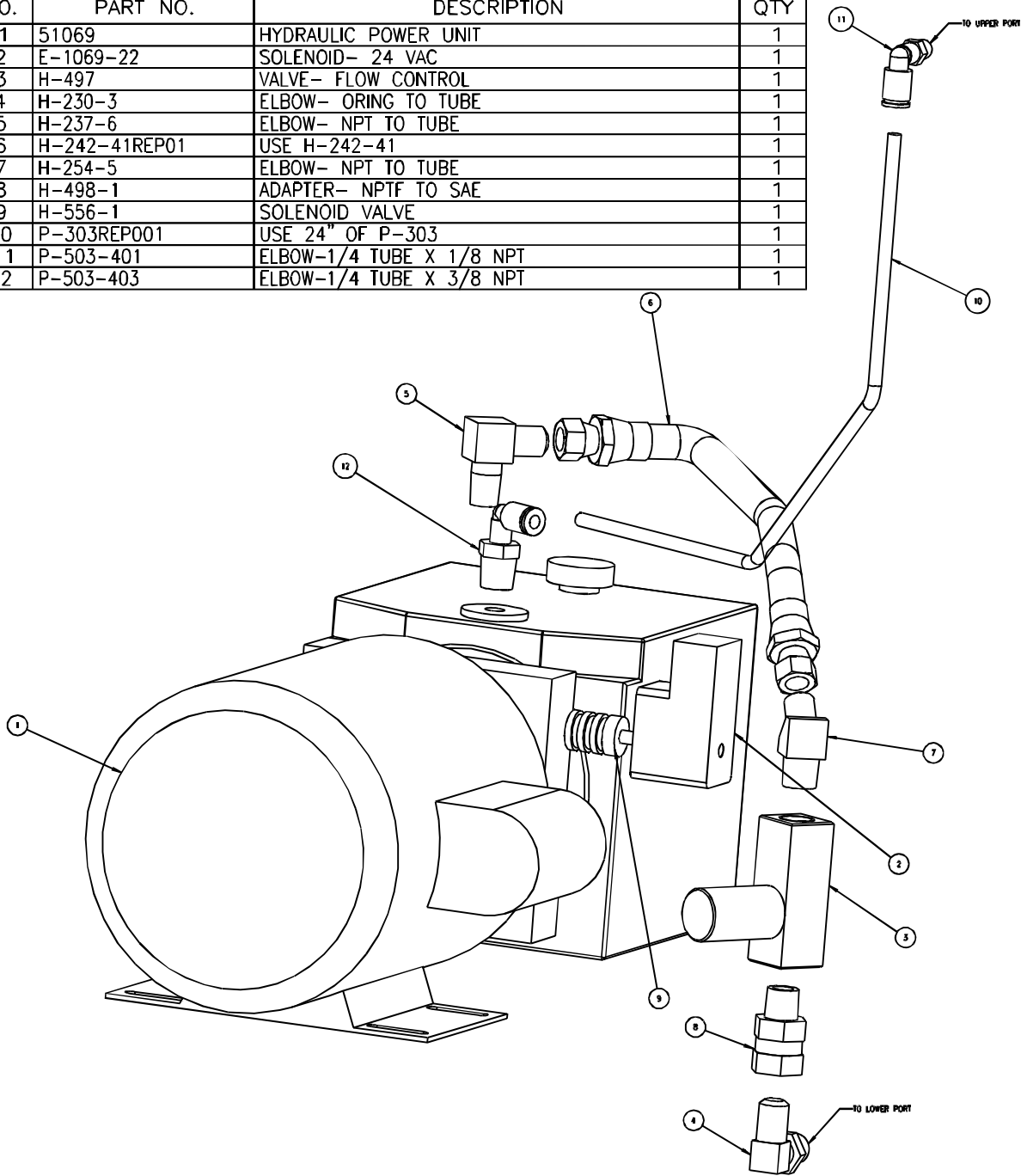
NO.	PART NO.	DESCRIPTION	QTY
1	51014	CYLINDER ASSEMBLY	1
2	51019	ROLLER	4
3	51039	TERMINATOR- CHAIN	4
4	51040	CHAIN	2
5	51048	BRACKET- CHAIN COVER	4
6	H-6417-8	NUT - 1/2-13 HEX	2
7	H-6424-8	NUT - 1/2-13 HEX JAM	14
8	H-6428-14	NUT - 7/8-14 HEX	4
9	H-6442-8	NUT - 1/2-13 NYLOC	2
10	H-6918-808	SCREW - 1/2-13 X 1.000 SHCS	4
11	H-6953-856	SCREW - 1/2-13 X 3.500 OVAL SOC SET	4
12	H-7321-4	WASHER - 1/4 SAE PLAIN	14
13	H-7324-8	WASHER - 1/4 INT TOOTH	18
14	H-7327-16	WASHER - 1/2 MEDIUM LOCK	4



**8.0 Appendix B—Parts List**

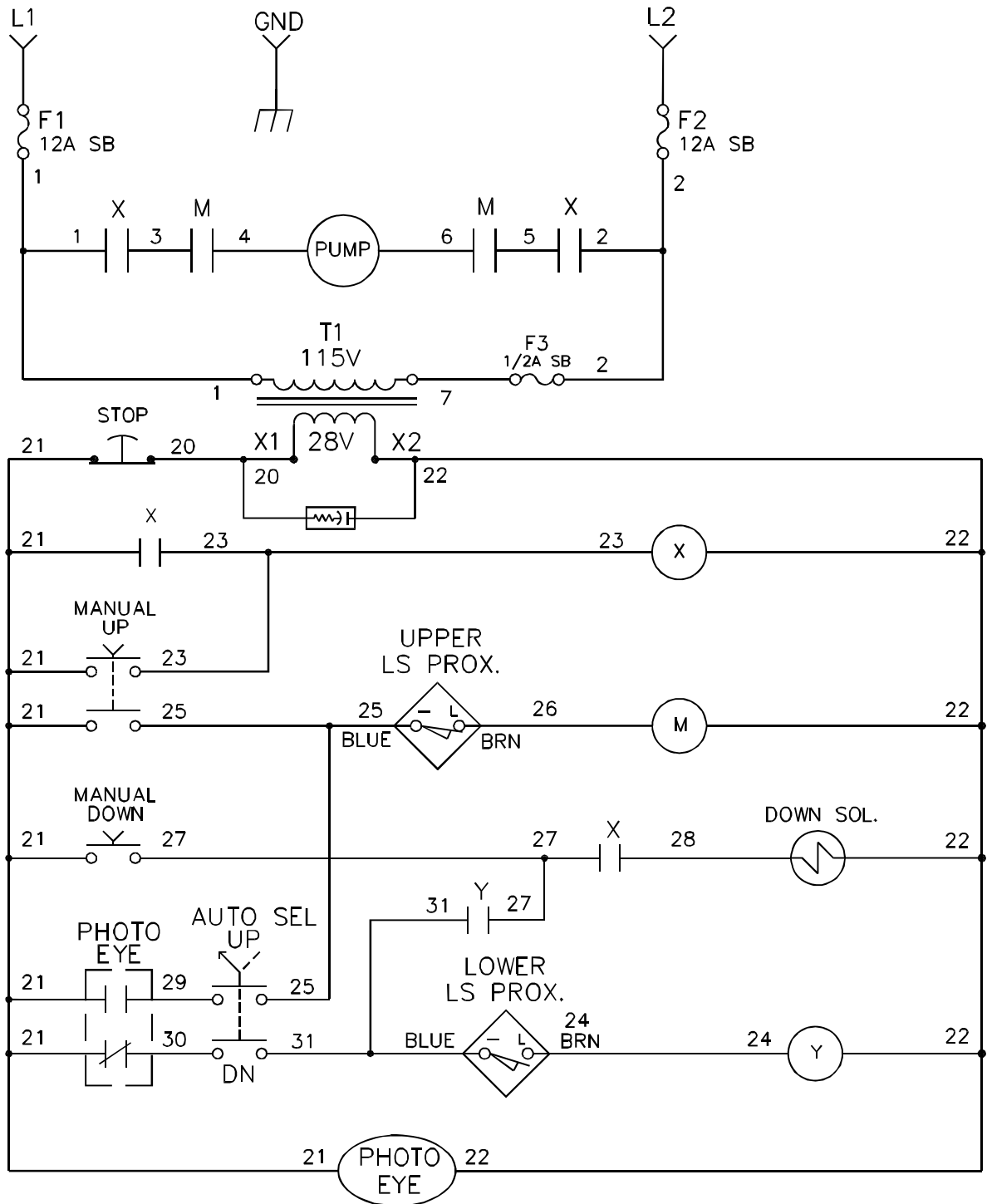
**8.1.7 51061 Hydraulic Power Unit Assembly**

NO.	PART NO.	DESCRIPTION	QTY
1	51069	HYDRAULIC POWER UNIT	1
2	E-1069-22	SOLENOID- 24 VAC	1
3	H-497	VALVE- FLOW CONTROL	1
4	H-230-3	ELBOW- ORING TO TUBE	1
5	H-237-6	ELBOW- NPT TO TUBE	1
6	H-242-41REP01	USE H-242-41	1
7	H-254-5	ELBOW- NPT TO TUBE	1
8	H-498-1	ADAPTER- NPTF TO SAE	1
9	H-556-1	SOLENOID VALVE	1
10	P-303REP001	USE 24" OF P-303	1
11	P-503-401	ELBOW-1/4 TUBE X 1/8 NPT	1
12	P-503-403	ELBOW-1/4 TUBE X 3/8 NPT	1

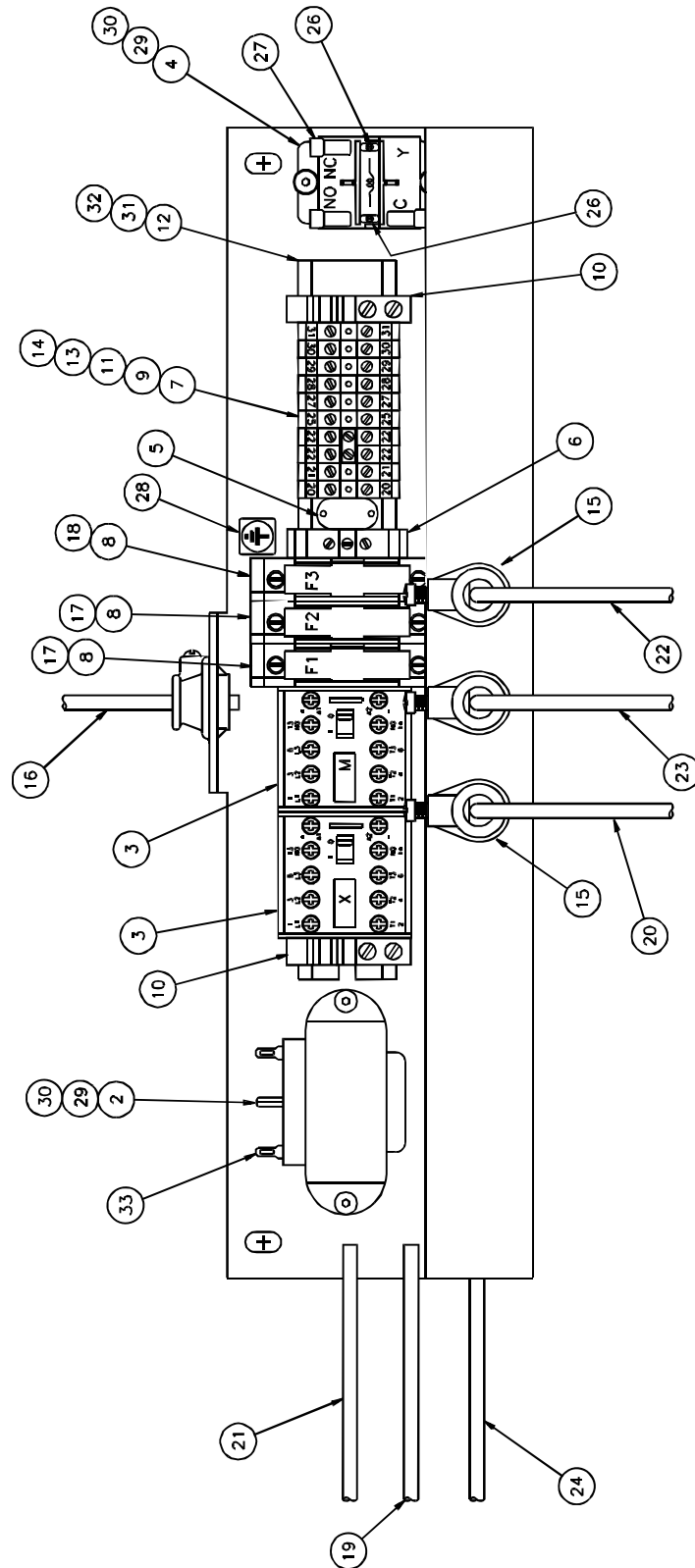


## 8.2 Electrical

### 8.2.1 E-2944 Basic Machine Schematic

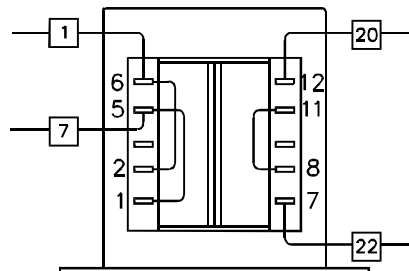


8.2.2 EE-2942 Rev. "D" Power Panel Assembly (Parts Detail)



## 8.2.3 EE-2942 Rev. "D" Power Panel Assembly (Parts List)

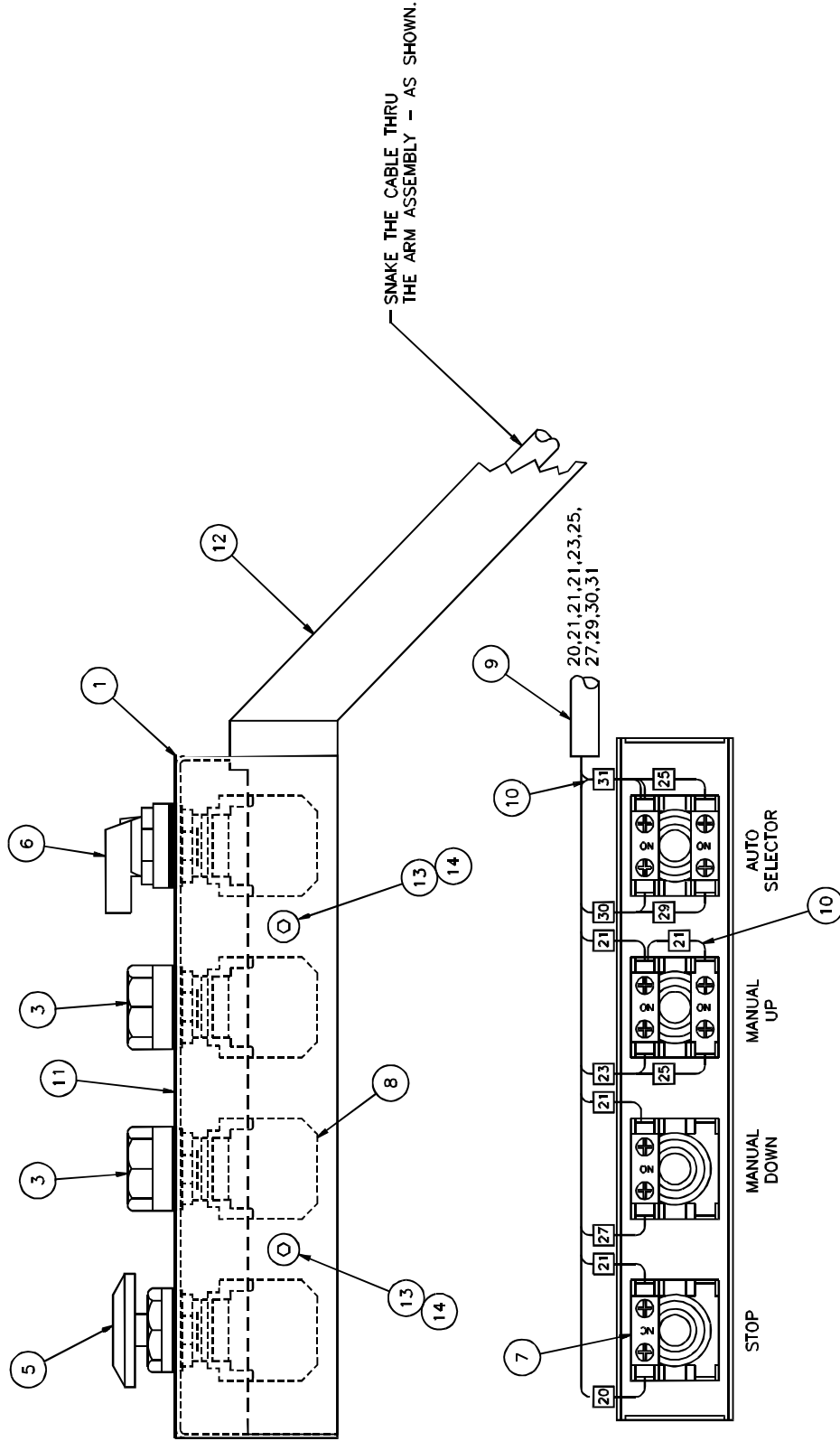
NO.	PART NO.	DESCRIPTION OF ACCESSORIES	QTY
1	51051	PANEL - POWER	1
2	E-1623-12	TRANS. - 115V/230VAC PRIM., 28VAC SEC.	1
3	E-2403-4	RELAY	2
4	E-2232-1	RELAY	1
5	E-1736-2	QUENCHARC - LEADED	1
6	E-2068-3	TERMINAL BLOCK - GROUNDING	1
7	E-2068-8	TERMINAL BLOCK - #10 GA. WIRE	10
8	E-1974-8	TERMINAL BLOCK - FUSEHOLDER, GLASS	3
9	E-2069-3	END PLATE	1
10	E-2070-1	END BRACKET	2
11	E-2507-2	FIXED BRIDGE - 2 POLE	1
12	E-1977-21	RAIL - TERMINAL, 10" LONG	1
13	E-1356-123	MARKING STRIP	1
14	E-1356-124	MARKING STRIP	1
15	S-1350-16	BUSHING - STRAIN RELIEF	4
16	E-717	CABLE - POWER, #16 GA. 3 COND. 12' LONG	1
17	E-889-37	FUSE - GLASS, 12 AMP SLO-BLO (F1 & 2)	2
18	E-889-12	FUSE - GLASS, 1/2 AMP SLO-BLO (F3)	1
19	EE-2821-7	CABLE ASSEMBLY - HYD. CUT SOL	1
20	EE-2943-1	PROX. SWITCH ASSEMBLY - UPPER LIMIT	1
21	EE-2943-2	PROX. SWITCH ASSEMBLY - LOWER LIMIT	1
22	EE-2946	PHOTO. EYE SENSOR - SWITCH ASSEMBLY	1
23	EE-2945	CABLE ASSEMBLY - CONTROL PANEL	REF
24	E-2727-1	CABLE - #16 GA. (EURO) 3 COND. 24" LONG	1
25	E-709-R	WIRE - #18 GA. RED MTW	AS NEEDED
26	E-1214-51	CONNECTOR - .187 QUICK DISC.	3
27	E-1214-60	CONNECTOR - 1/4" QUICK DISC. 90°	3
28	S-1781-42	LABEL - GROUND SYMBOL	1
29	H-6910-83203	SCREW - #8-32 X 3/8 BUT HD CAP	4
30	H-7324-#8	WASHER - #8 INT. TOOTHLOCK	4
31	H-6910-102403	SCREW - #10-24 X 3/8 BUT HD CAP	2
32	H-7324-#10	WASHER - #10 INT. TOOTHLOCK	2
33	E-1214-43	CONNECTOR - .187 QUICK DISC. 90°	4
34	E-756-10	WIRE - #22 GA. HOOK-UP 3" LONG	4



TRANSFORMER  
WIRING DETAIL



8.2.5 51052 Rev. "B" Control Arm Assembly



## 8.0 Appendix B—Parts List

---

### 8.2.6 51052 Rev. "B" Control Arm Assembly (Parts List)

NO.	PART NO.	DESCRIPTION OF ACCESSORIES	QTY
1	51055	BOX – SWITCH	1
2	16520	ANTI–ROTATION RING	4
3	E–2074	SWITCH BODY – PUSHBUTTON (GREEN)	2
4			
5	E–2074–6	SWITCH BODY – MUSHROOM HD PUSHBUTTON	1
6	E–2538	SWITCH BODY – SELECTOR	1
7	E–1839–8	CONTACT BLOCK – NORM. CLOSED	1
8	E–1839–9	CONTACT BLOCK – NORM. OPEN	5
9	EE–2945	CABLE ASM. – CONTROL ARM	1
10	E–709–R	WIRE – #18 GA. RED MTW – 4” LONG (#21)	1
11	S–1781–95	LABEL – SWITCH BOX	1
12	51058	ARM ASSEMBLY – CONTROL	1
13	H–6910–403	SCREW – 1/4–20 X 3/8 BUT HD	4
14	H–7324–8	WASHER – 1/4” INT. TOOTHLOCK	4
15	E–709–R	WIRE – #18 GA. RED MTW – 6” LONG (#25)	1