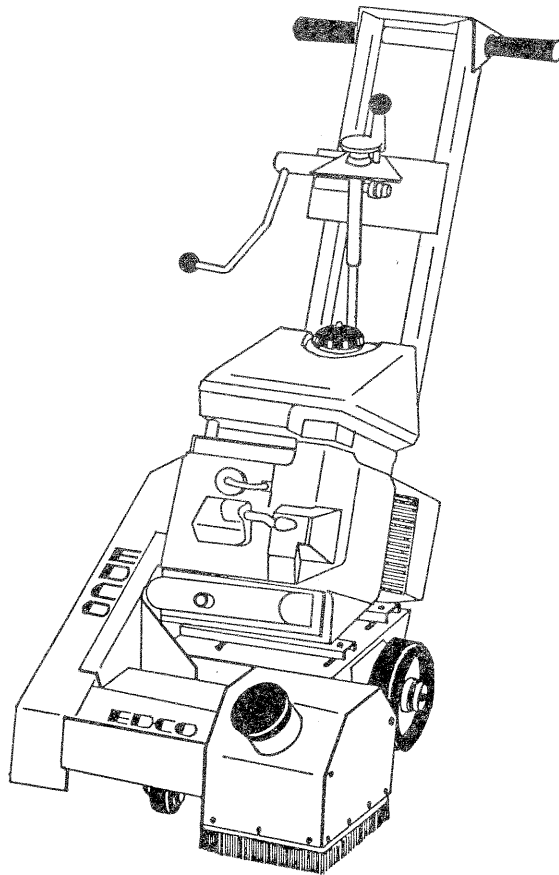


DEC. 1993

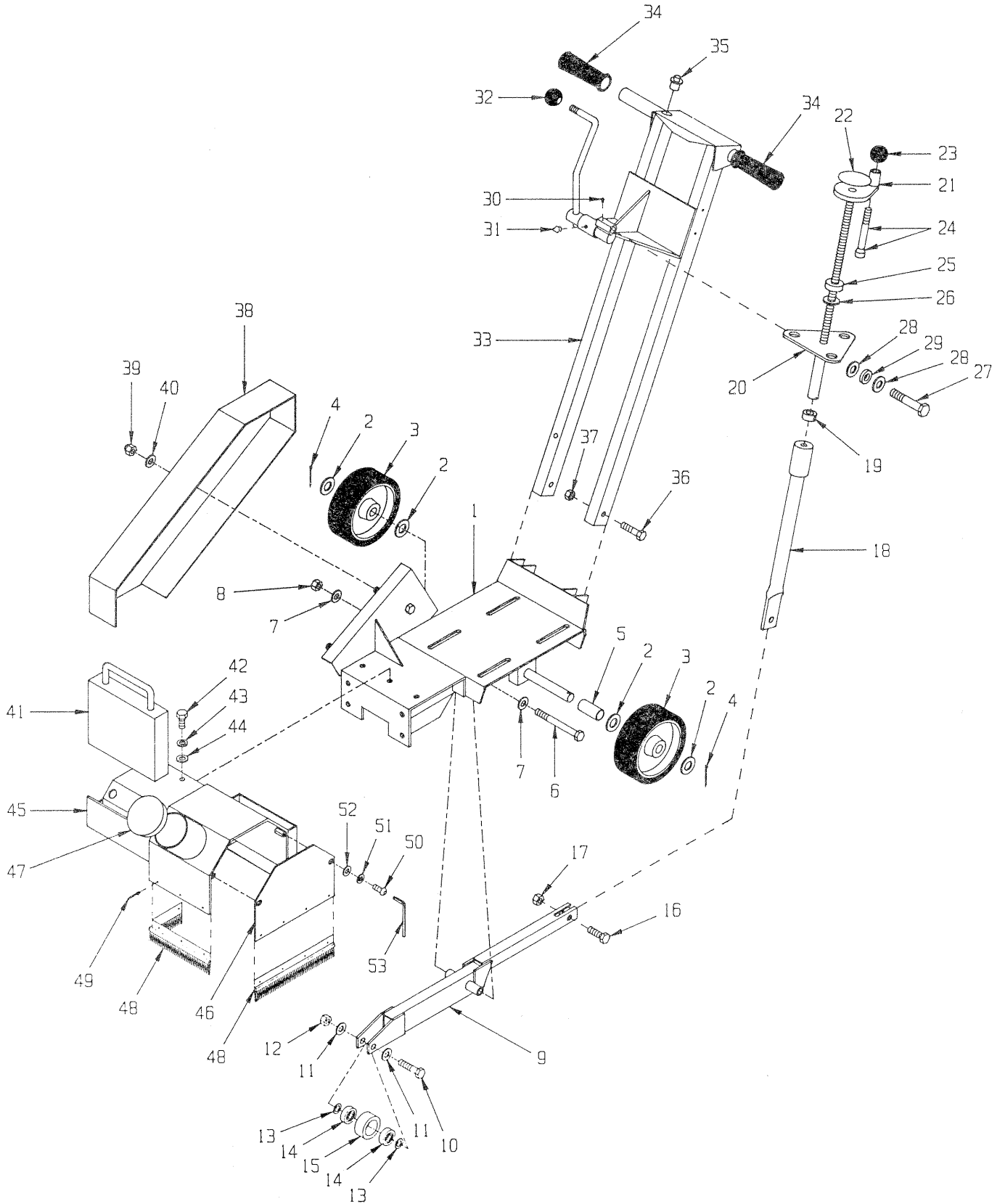
COMPACT PLANER

PARTS LIST MANUAL



Model CPM-4

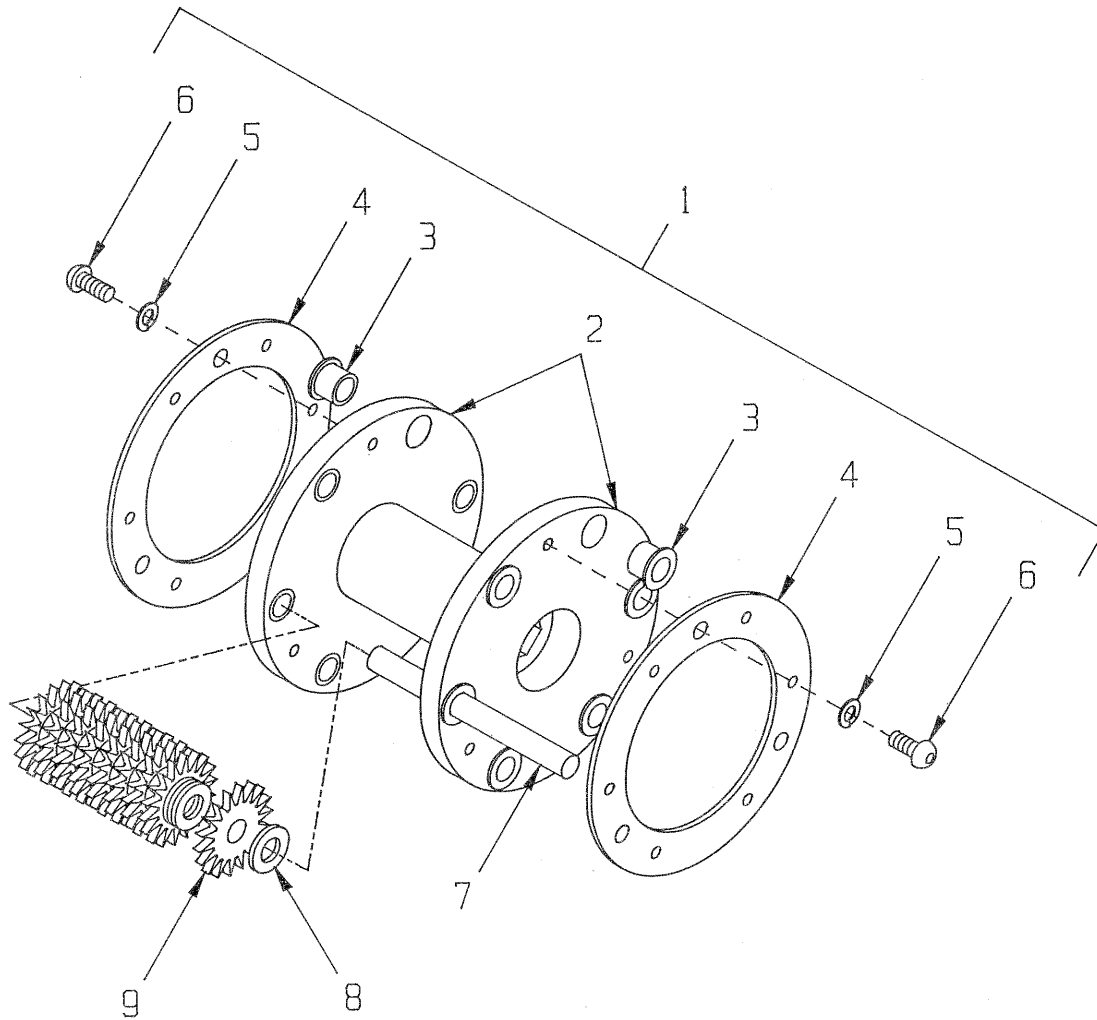
ILLUSTRATION 1: MAIN ASSEMBLY



PARTS LISTING - ILLUSTRATION 1: MAIN ASSEMBLY

Item #	Part #	Description	Qty.
1	66001	Main Frame	1
2	10009	Washer, Flat 3/4	4
3	50030	Wheel 6 x 2 x 3/4" Brg.	2
4	10306	Pin, Cotter 3/16 x 1-1/2	2
5	C66002	Spacer, Rear Wheel	1
6	10386	Screw, Cap 1/2-13 x 4-1/2	1
7	10312	Washer, Flat 1/2	2
8	10407	Nut, Lock 1/2-13	1
9	66006	Fork, Front Wheel	1
10	10322	Screw, Cap 1/2-20 x 2	1
11	10312	Washer, Flat 1/2	2
12	10205	Nut, Lock 1/2-20	1
13	10040	Washer, Garret 17/32	2
14	3659	Bearing, Ball 1/2" ID x 1-3/8" OD	2
15	C66007	Wheel, Steel 2" Dia.	1
16	10308	Screw, Cap 1/2-20 x 1-1/2	1
17	10205	Nut, Lock 1/2-20	1
18	66008	Linkage, Control Lower	1
19	10096	Collar, Locking 5/8	1
20	65007	Linkage Support, Upper	1
21	65008	Handwheel, Small W/ 5/8-8 x 18" Rod	1
22	80007	Decal, "Cut Control" (Small)	1
23	14023	Knob, Ball 1-3/8" Dia. W/ 1/2-13 Thd.	1
24	10044	Screw, Skt. Hd. 1/2-13 x 3-1/2	1
	50550	Tapered Sleeve for 1/2" Capscrew	1
25	85005	Bearing, Ball 5/8" ID x 1-1/2 Thrust	1
26	10073	Washer, Flat 5/8	1
27	10359	Screw, Cap 5/8-11 x 3-1/4	1
28	10073	Washer, Flat 5/8	2
29	79035	Bushing, Rubber 5/8" ID x 1/4" Thk.	1
30	10127	Screw, Drive 1/8	1
31	10808	Fitting, Grease 1/4-28 Straight	1
32	14023	Knob, Ball 1-3/8" Dia. W/ 1/2-13 Thd.	1
33	66009	Handle Bar	1
34	10608	Hand Grip 1" Model AT	2
35	50010	Switch Kit, Stop Button (Gas Only)	1
36	10030	Screw, Cap 3/8-24 x 2	2
37	10004	Nut, Lock 3/8-24	2
38	C66016	Cover, Belt	1
39	10865	Nut, Acorn 1/2-13	2
40	10045	Washer, Lock 1/2	2
41	C66021	Weight Block	1
42	10907	Screw, Cap 3/8-16 x 3/4	3
43	10811	Washer, Lock 3/8	3
44	10025	Washer, Flat 3/8	3
45	C66017	Cover, Front	1
46	C66018	Cover, Drum Side Access	1
47	64030	Cap Plug 3"	1
48	66019	Brushes (Set of 4)	1
49	10128	Rivet, Pop 1/8 x 1/4	14
50	10627	Screw, S.B.H.C. 5/16-18 x 3/4	2
51	10801	Washer, Lock 5/16	2
52	10213	Washer, Flat 5/16	2
53	66045	Wrench, Hex Key 3/16	1

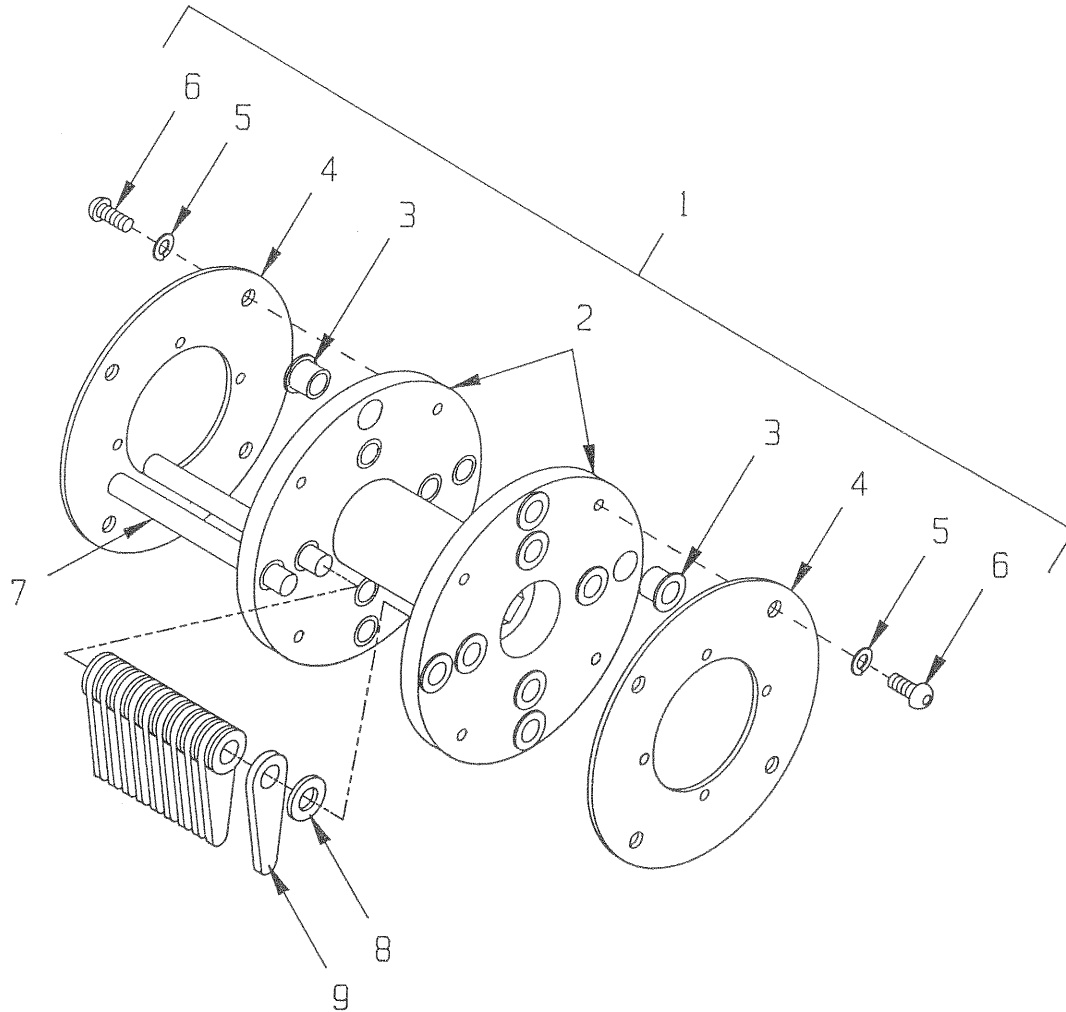
ILLUSTRATION 2: CUTTER WHEEL DRUM ASSEMBLY



Item #	Part #	Description	Qty.
1	C66040	Drum Assembly Complete (Includes Items 2 thru 6)	
2	C66041	Drum Only, Cutter	1
3	65055	Bushing, Drum Hardened Steel 1/2"	12
4	65054	Retaining Plate, Cutter Shaft	2
5	10801	Washer, Lock 5/16	6
6	10627	Screw, S.B.H.C. 5/16-18 x 3/4	6
7	C66043	CP410 Cutter Shaft 1/2 x 5-1/4"L	6
8	12230	CG227 Spacer 1/2" ID	*
9		Cutter Wheel	*
	12206	JRS501-P Pointed Hi-Carbon Steel	
	20206	CP-305 Flat Tip Hi-Carbon Steel	
	20156	CP-205-T Tungsten Carbide	
	20266	CP-215-T Wide Tungsten Carbide	

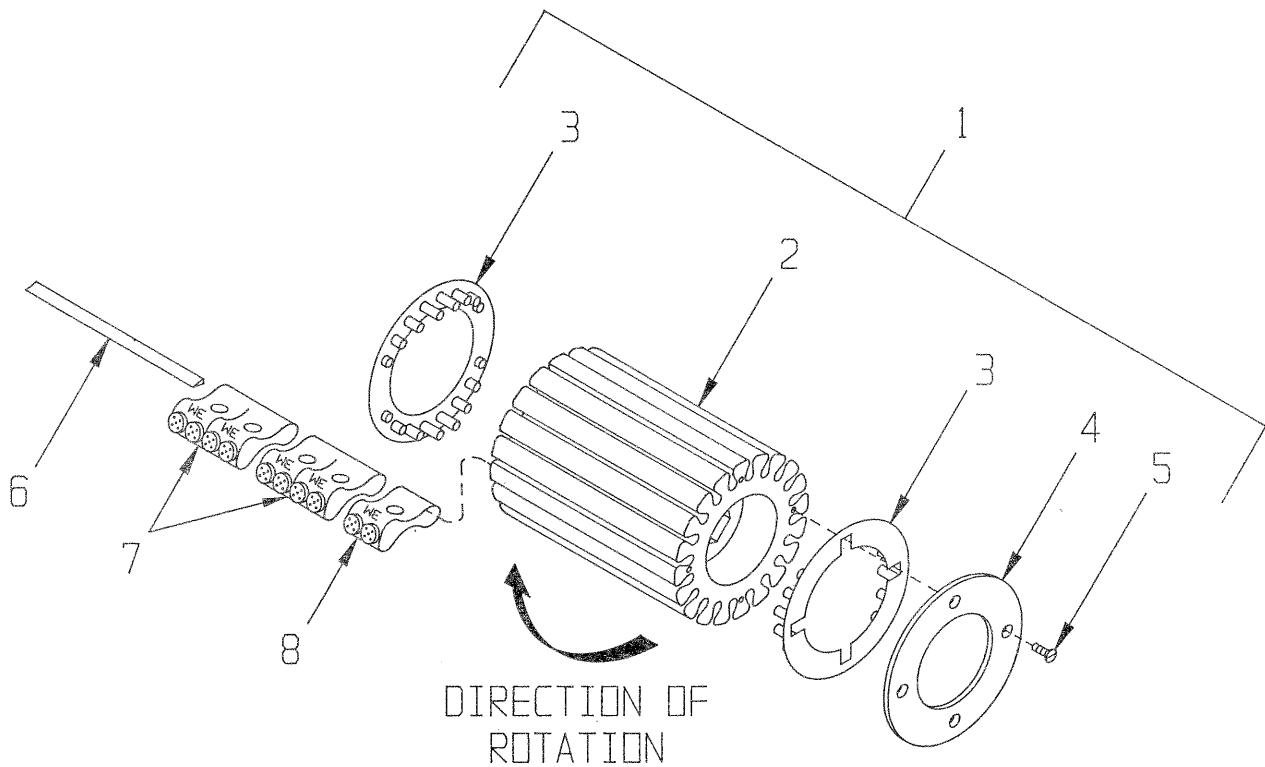
* NOTE: Number of Cutters and Spacers vary with type of set-up used.

ILLUSTRATION 3: FLAIL DRUM ASSEMBLY



Item	Part #	Description	Qty.
	C66080	Drum Assembly Complete, Flail (Includes Items 2 thru 6)	
2	C66081	Flail Drum Only	1
3	65055	Bushing, Drum Hardened Steel 1/2"	16
4	C66082	Retaining Plate	1
5	10801	Washer, Lock 5/16	2
6	10627	Screw, S.B.H.C. 5/16-18 x 3/4	2
7	C66043	CP410 Cutter Shaft 1/2 x 5-1/4"L	8
8	12230	CG227 Spacer 1/2"ID	84
9	20276	Flail	38

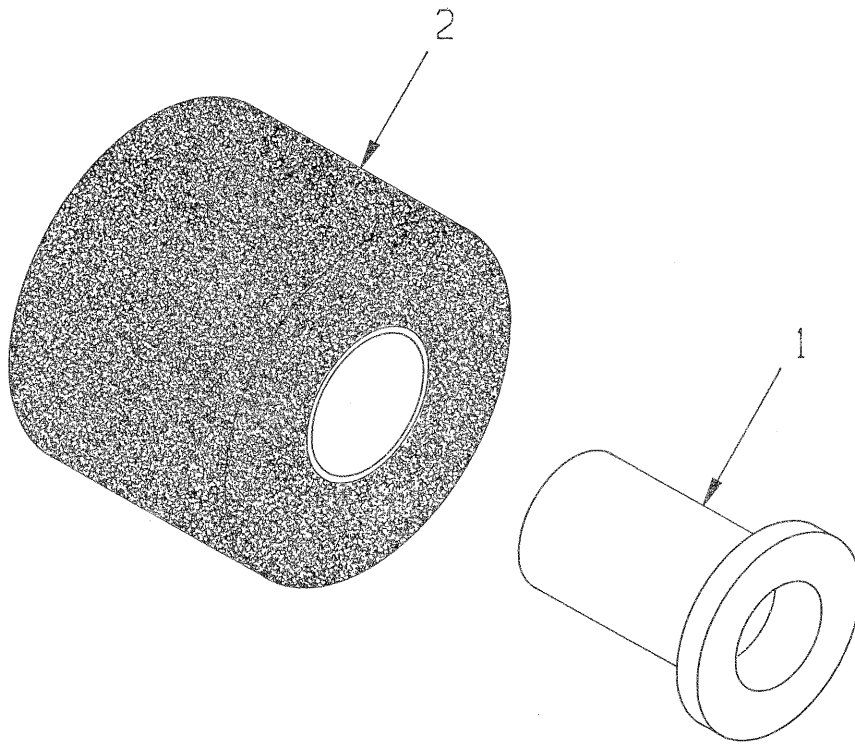
ILLUSTRATION 4: ROTO-PEEN FLAP HUB ASSEMBLY



Item	Part #	Description	Qty.
1	C66050	Hub Assembly Complete, Roto-Peen (Includes Items 2 thru 5)	
2	C66051	Hub Only 5-1/2"	1
3	25060	Spacer Ring	2
4	C66052	Retaining Plate	1
5	10628	Screw, Flat Hd. 8-32 x 1/2	4
6	C66054	Keeper Strip 5"	20
7		Roto-Peen Flap 2"	*
	25020	2" Type B	
	25021	2" Type C	
	25022	2" Type D	
8		Roto-Peen Flap 1"	*
	25010	1" Type B	
	25011	1" Type C	
	25012	1" Type D	

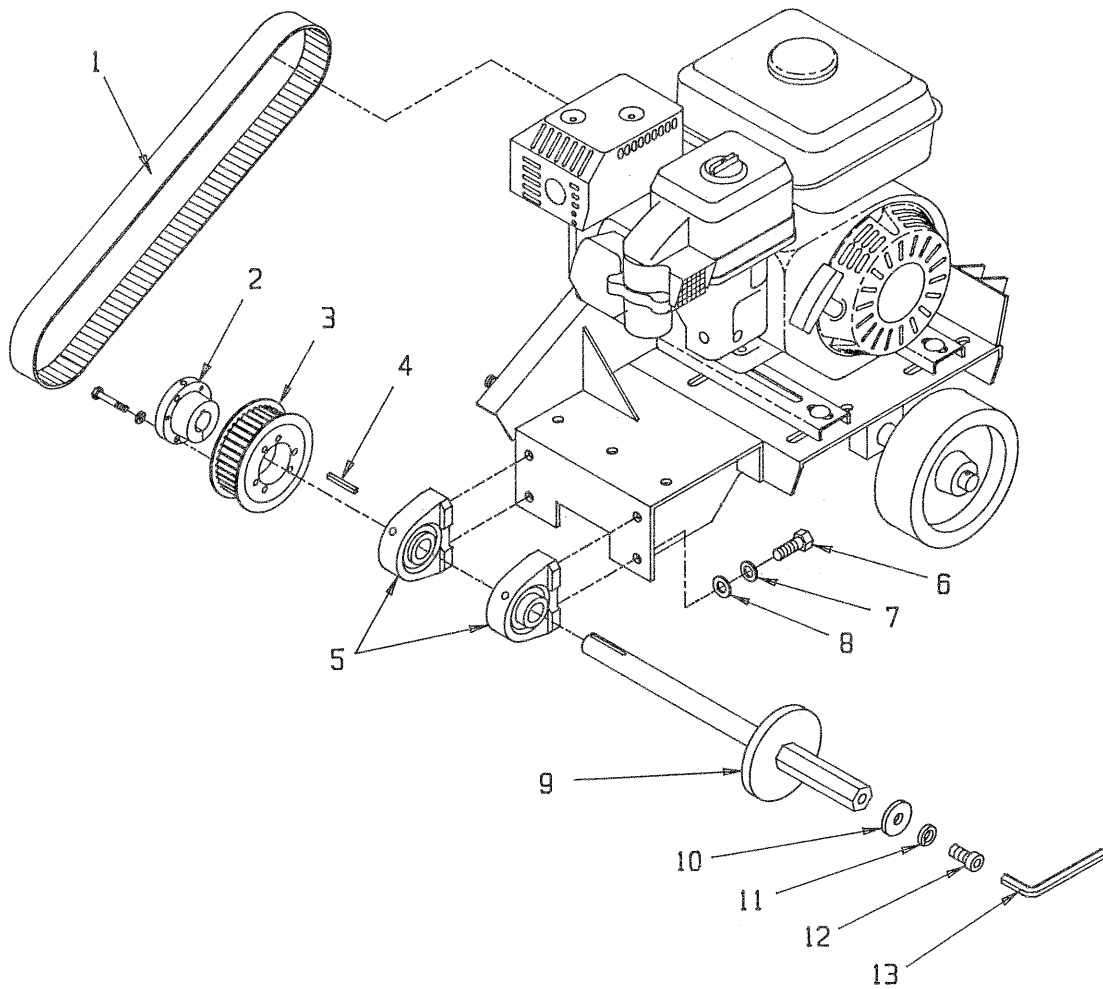
* NOTE:
 Flaps are not included with hub assembly.
 Number of flaps vary with type of set-up used.
 Refer to Assembly Instructions for suggested
 flap types and quantities.

ILLUSTRATION 5: ACCESSORY HUB



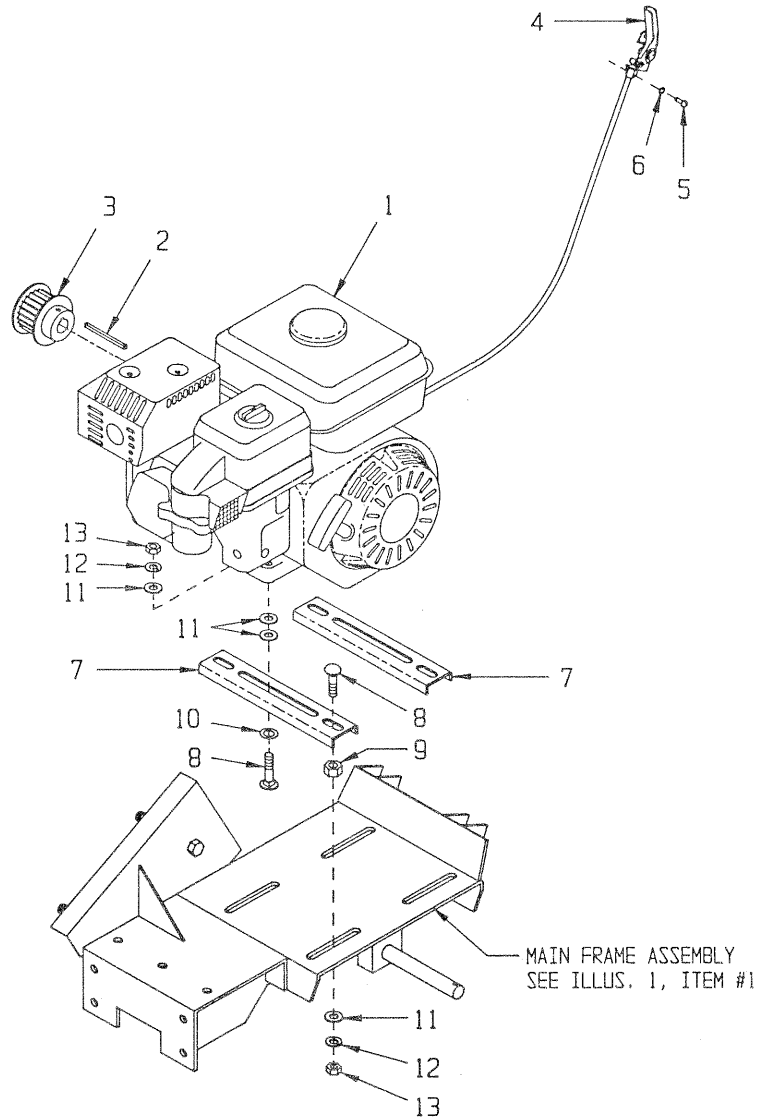
Item #	Part #	Description	Qty.
1	C66060	Hub, Accessory	1
2	C66066	Brush Wheel 7"D x 5-1/4"L	1

ILLUSTRATION 6: BELT & DRIVE SHAFT ASSEMBLY



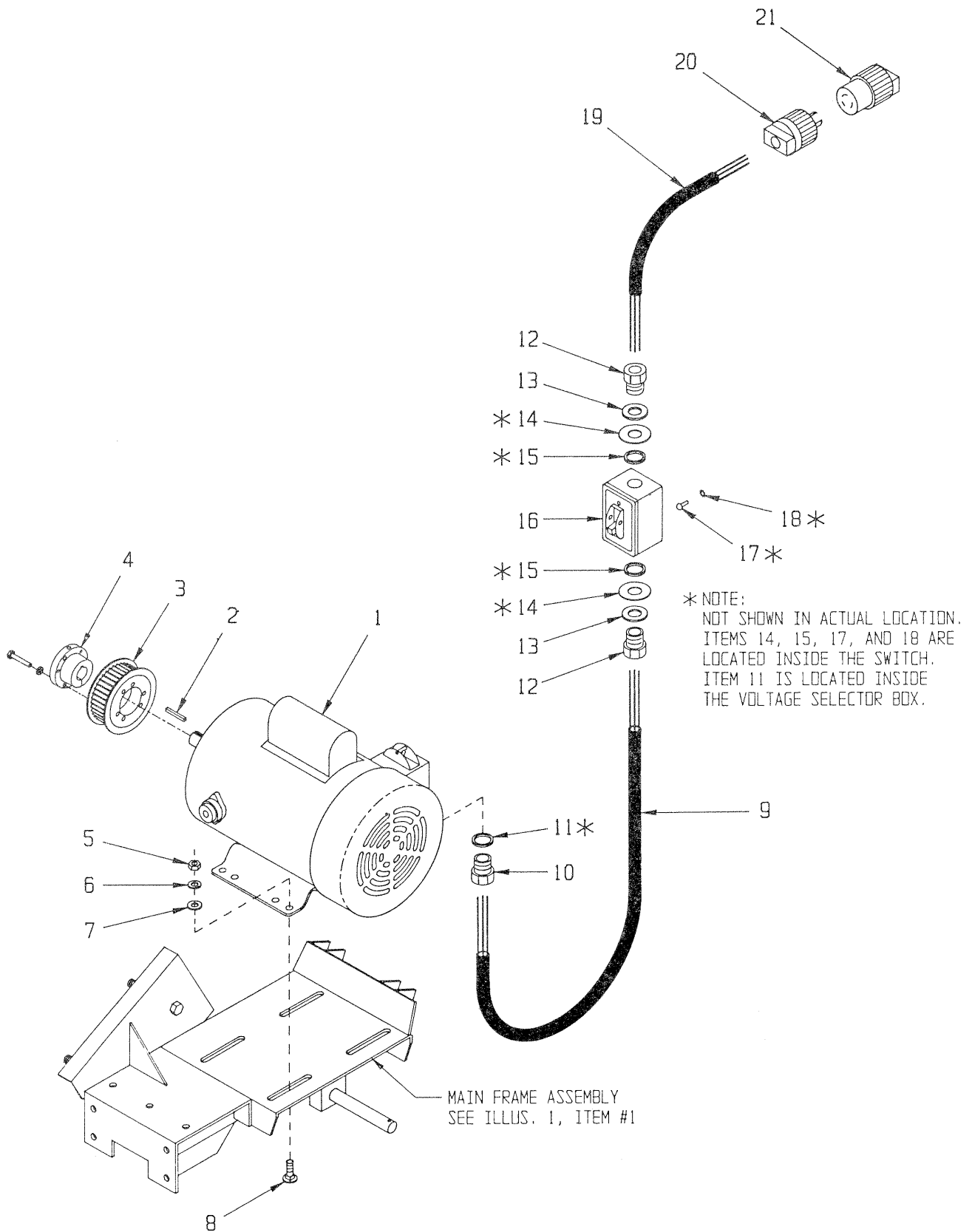
Item #	Part #	Description	Qty.
1	10270	Belt, HTD 1040-8M-30	1
2	10546	Bushing, Sheave SH x 7/8" Bore	1
3	C90052	Sprocket, HTD P38-8M-30-SH	1
4	10016	Key 3/16" Sq. x 1-1/2	1
5	C66013	Bearing, Ball 7/8" TPB	2
6	10907	Screw, Cap 3/8-16 x 3/4	4
7	10811	Washer, Lock 3/8	4
8	10025	Washer, Flat 3/8	4
9	C66012	Drive Shaft, Drum	1
10	C66011	Washer, Drum Retaining	1
11	10420	Washer, Lock 1/2 Heavy-Duty	1
12	10419	Screw, Skt. Hd. Cap 1/2-13 x 1	1
13	66044	Wrench, Hex Key 3/8	1

ILLUSTRATION 7: ENGINE ASSEMBLY



Item #	Part #	Description	Qty.
1		Engine	1
	40387	Honda 5.5 HP GX160 (Shown)	
	15025	Kohler 5 HP Command (Not Shown)	
2	10115	Key 1/4" Sq. x 2	1
3	66046	Sprocket, HTD P22-8M-30 (Bored 3/4")	1
4	3611	Cable, Throttle Lever Type 54"	1
5	10828	Screw, Self-Tap 10-24 x 1/2, Pan Hd.	2
6	10831	Washer, Int. Tooth #10	2
7	C66039	Bracket, Engine Mount	2
8	10804	Bolt, Carriage 3/8-16 x 1-1/2	8
9	10417	Nut 1/2-13	4
10	10040	Washer, Garret 17/32	4
11	10025	Washer, Flat 3/8	16
12	10811	Washer, Lock 3/8	8
13	10404	Nut 3/8-16	8

ILLUSTRATION 8: MOTOR ASSEMBLY



PARTS LISTING - ILLUSTRATION 8: MOTOR ASSEMBLY

Item #	Part #	Description	Qty.
1		Motor, Baldor	1
	76027	1.5 HP-1 Phase, 60 Hz, 1725 RPM	
	16019	2.0 HP-1 Phase, 50 Hz, 1425 RPM	
2	-----	Key 3/16" Sq. (Included W/ Motor)	
3	C90052	Sprocket, HTD P38-8M-30-SH	1
4	10546	Bushing, Sheave SH x 7/8" Bore	1
5	10404	Nut 3/8-16	4
6	10811	Washer, Lock 3/8	4
7	10025	Washer, Flat 3/8	4
8	10823	Bolt, Carriage 3/8-16 x 3/4	4
9	66047	Wire Harness, Switch/Motor 12/3 x 24	1
10	10959	Connector, Strain Relief 3/4NPT x .550-.650" Range	1
11	10740	Conduit Lock Nut 3/4 NP	1
12	41130	Connector, Strain Relief 1/2NPT x .550-.650" Range	2
13	77081	Washer, Switch Box Outer	2
14	77080	Washer, Switch Box Inner	2
15	10790	Conduit Lock Nut 1/2 NP	2
16	77027	Switch W/ Enclosure DPST	1
	77018	Switch Only DPST 30A/250V, 20A/600V (Included W/ Part #77027)	
17	10828	Screw, Self-Tap 10-24 x 1/2	2
18	10455	Washer, Ext. Tooth #10	2
19	77026	Wire Harness, Switch/Plug 12/3 x 12	1
20		Plug, Locking	1
	40042	20A/125V (Standard)	
	40037	20A/250V (Optional)	
21		Plug Connector, Locking	1
	40041	20A/125V (Standard)	
	40000	20A/250V (Optional)	