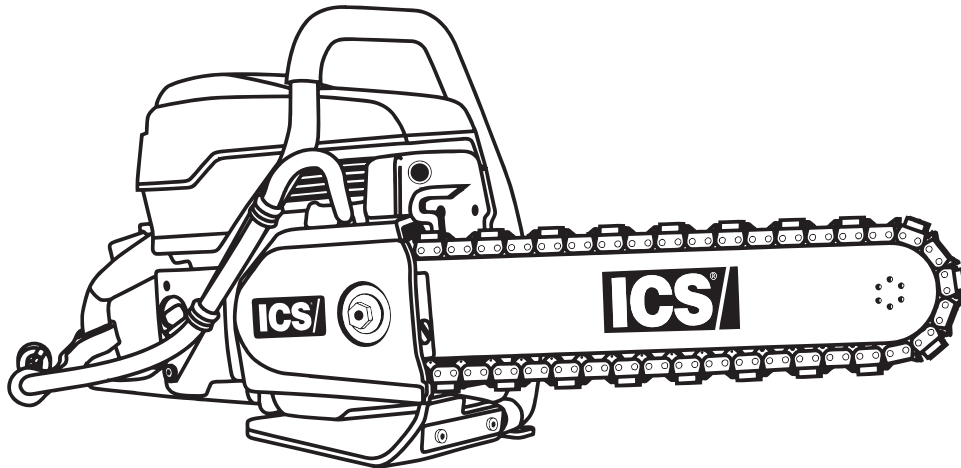




**Diamond Tools and Equipment
for Construction and Infrastructure**

Replacement Parts & Accessories Price List



695XL Gas Concrete Saw

Effective January 1, 2020

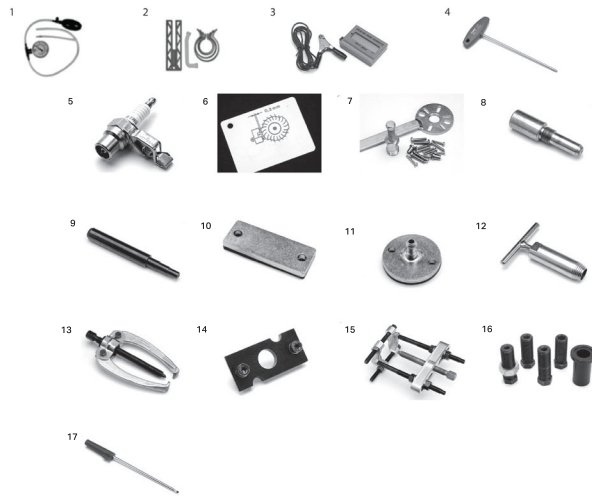
TABLE OF CONTENTS

695XL Gas Saw

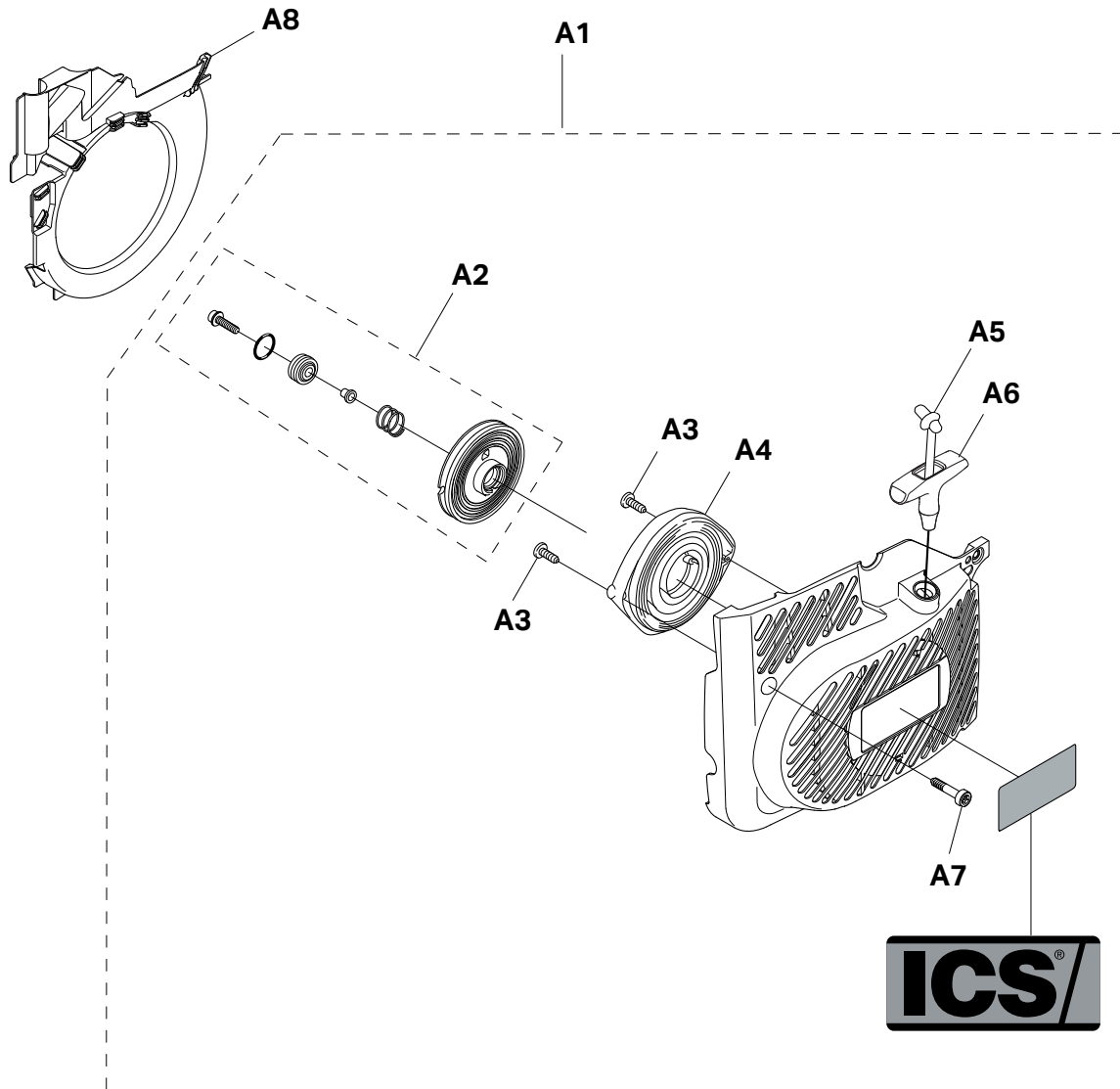
ITEM DESCRIPTION	KEY	PAGE
695XL Gas Saw Service Items	n/a	2
Starter Assembly	A	3
Flywheel & Ignition Assembly	B	4
Clutch Assembly & WallWalker®	C	5
Side Cover & Tensioner Assembly	D	6
Cylinder & Exhaust Assemblies	E	7
Crankcase Assembly	F	8
Crankshaft Assembly	G	9
Carburetor & Intake Assemblies	I	11
Cylinder & Air Filter Cover Assemblies	J	12
Fuel Tank Assembly	K	13
Water Delivery System	L	14

SERVICE ITEMS

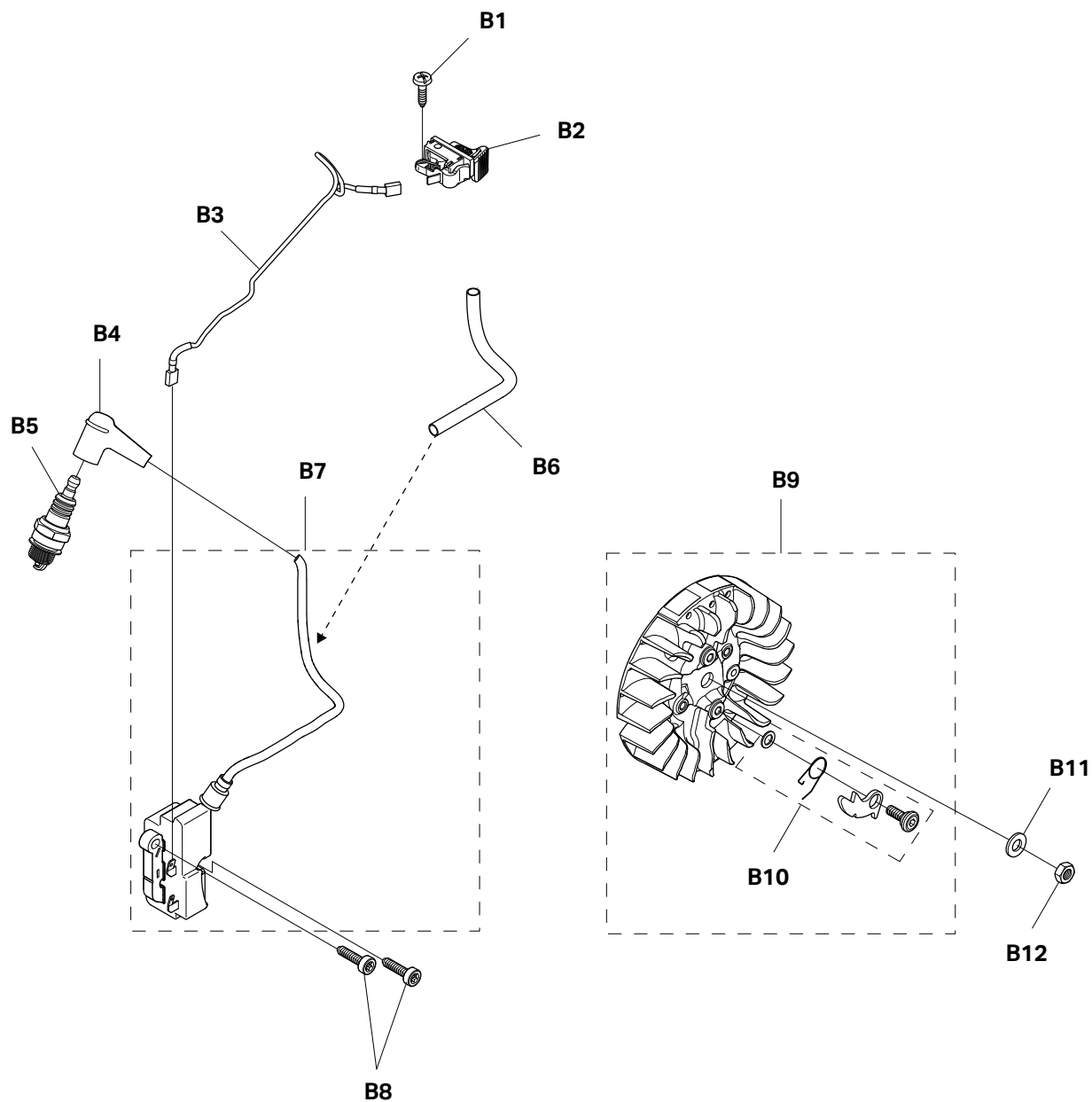
695XL Gas Concrete Saw



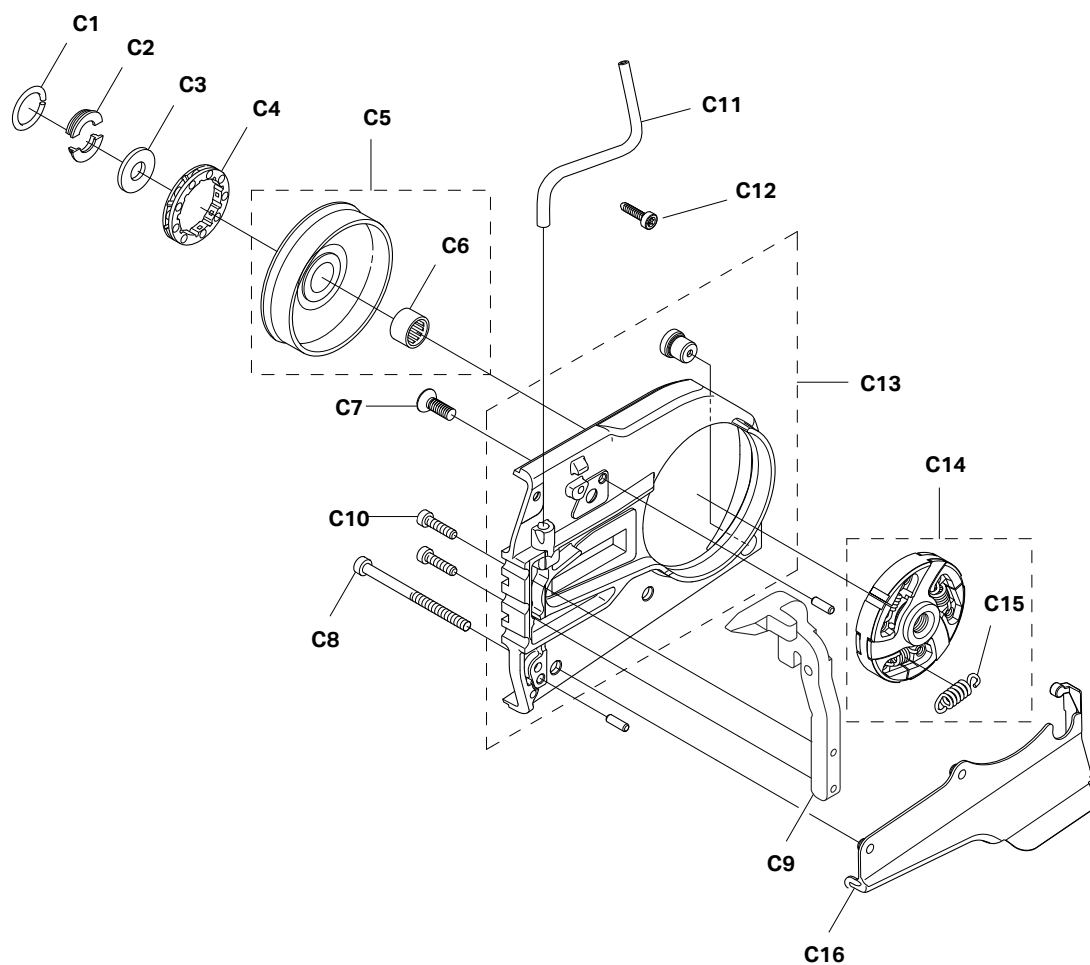
Key #	Part No.	Description
1	71541	Pressure Gauge Bulb
2	71543	Cylinder Assembly Clamps & Piston Stop
3	71565	Electronic Tachometer
4	546191	Workshop Key Torx T27
5	546192	Test Spark Plug
6	546193	Air Gap Gauge
7	546194	Flywheel Puller
8	547277	Piston Stop
9	546196	Wrist Pin Punch
10	546197	Cylinder Seal, Exhaust
11	546198	Cylinder Seal, Inlet Port
12	546289	Puller, Sealing Ring
13	546292	Universal Puller
14	546293	Grip Plate
15	546294	Bearing Puller
16	546295	Bearing Press
17	546307	Screwdriver, Idle
not shown	546659	Clutch Tool
not shown	544120	Flat Blade Srench
not shown	544119	Torque Srench
not shown	70249	14T Bar Nose Sprocket Repair Kit (for 695GC)
not shown	530046	FORCE4™ Bar Nose Sprocket Repair Kit (for 695F4)
not shown	571227	OIL, 2-STROKE 2.6 OZ(6-PACK)
not shown	571228	OIL, 2-STROKE 2.6 OZ (24-PACK)



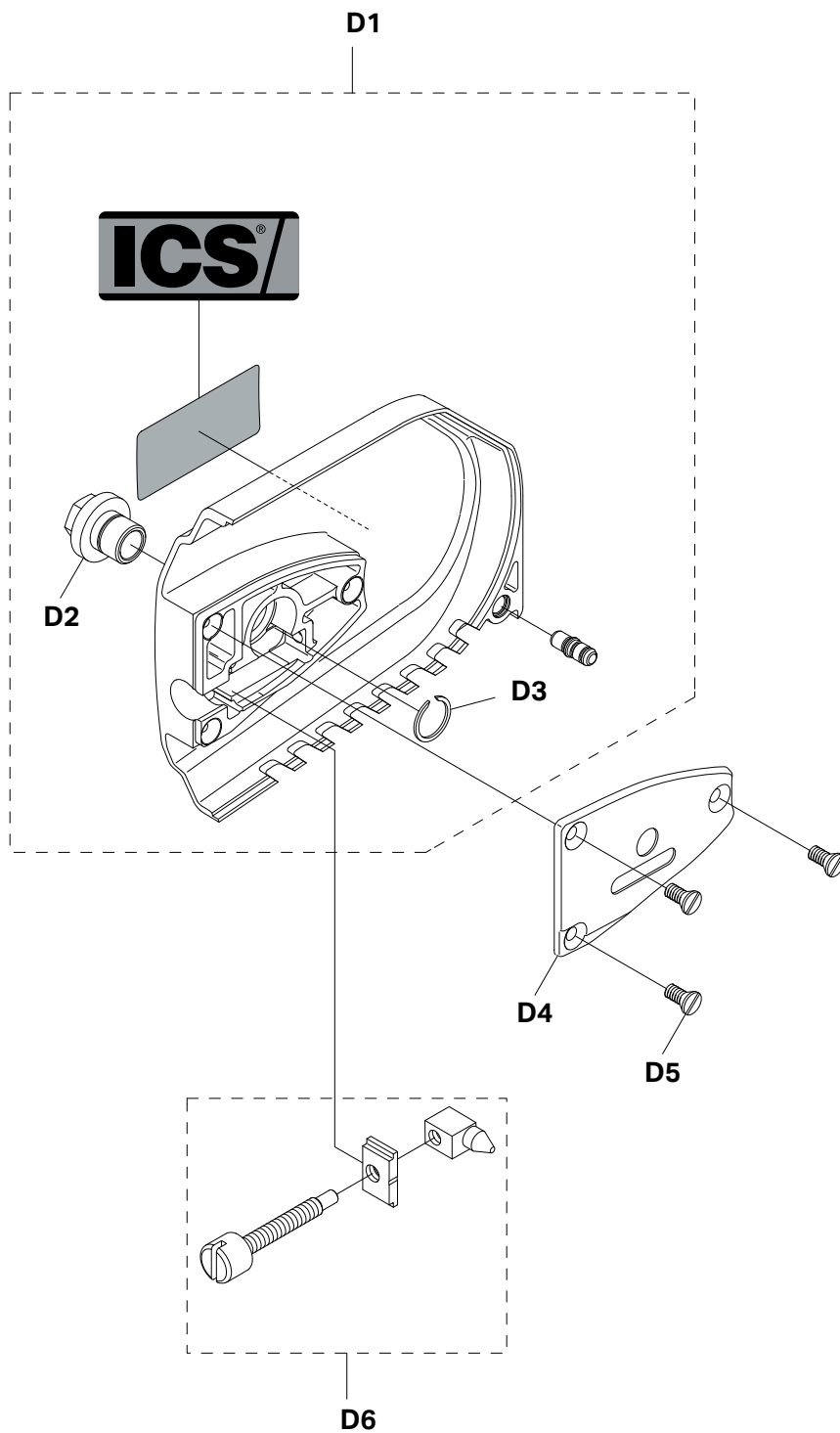
Key #	Part No.	Description
A1	544013	STARTER COVER ASSEMBLY
A2	544127	STARTER PULLEY KIT
A3	543974	SCREW
A4	544021	RECOIL SPRING
A5	544023	STARTER CORD
A6	544024	STARTER HANDLE
A7	544012	SCREW
A8	544026	STARTER COVER SHIELD



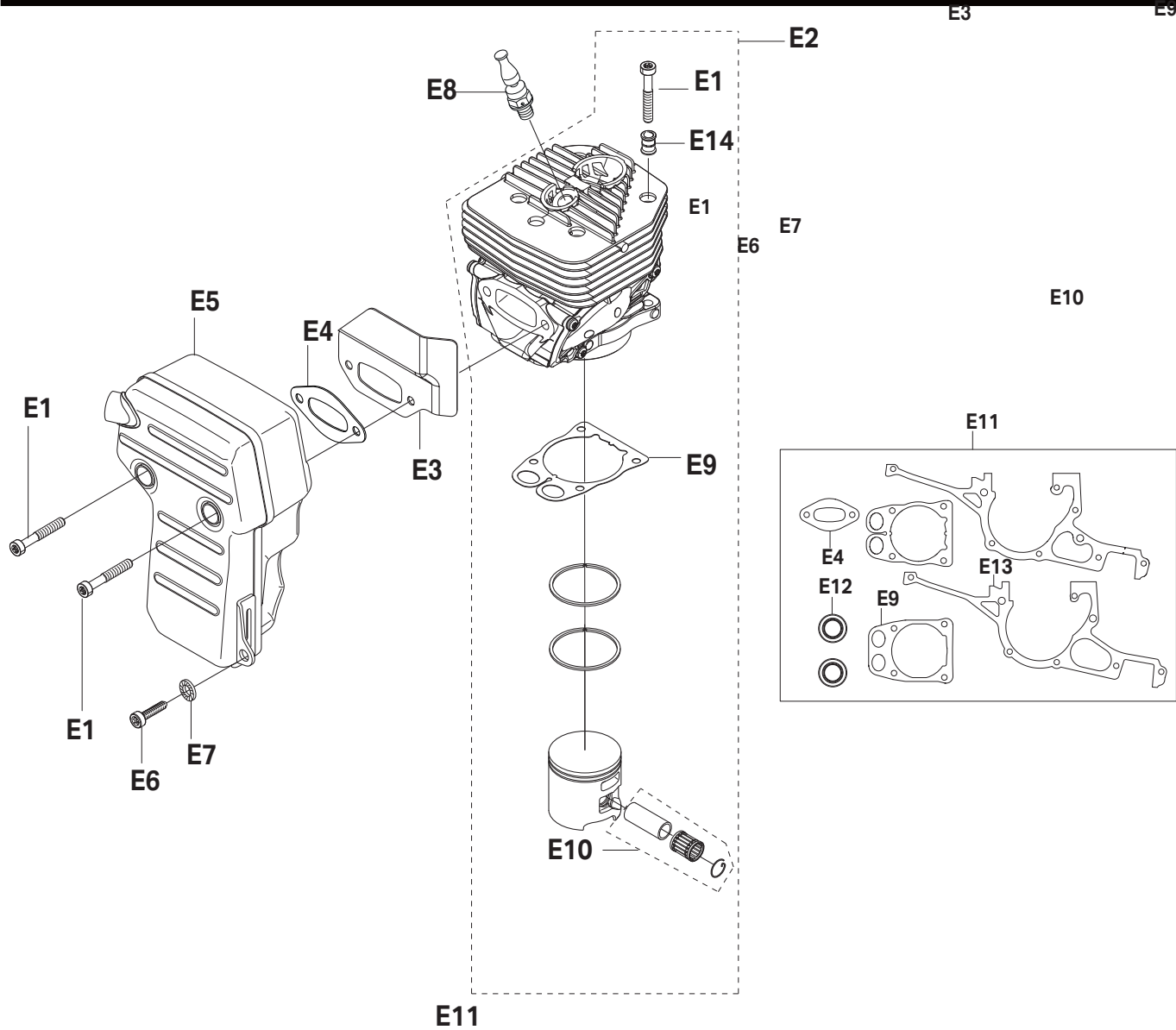
Key #	Part No.	Description
B1	544030	STOP SWITCH SCREW
B2	544031	STOP SWITCH
B3	544032	STOP SWITCH CABLE
B4	544033	SPARK PLUG CAP
B5	544034	SPARK PLUG
B6	544035	PROTECTIVE SLEEVE
B7	544036	IGNITION MODULE
B8	544038	IGNITION MODULE SCREW
B9	544053	FLYWHEEL
B10	544125	STARTER PAWL KIT (INCL. TWO OF EACH ITEM)
B11	544058	STARTER WASHER
B12	544059	STARTER NUT



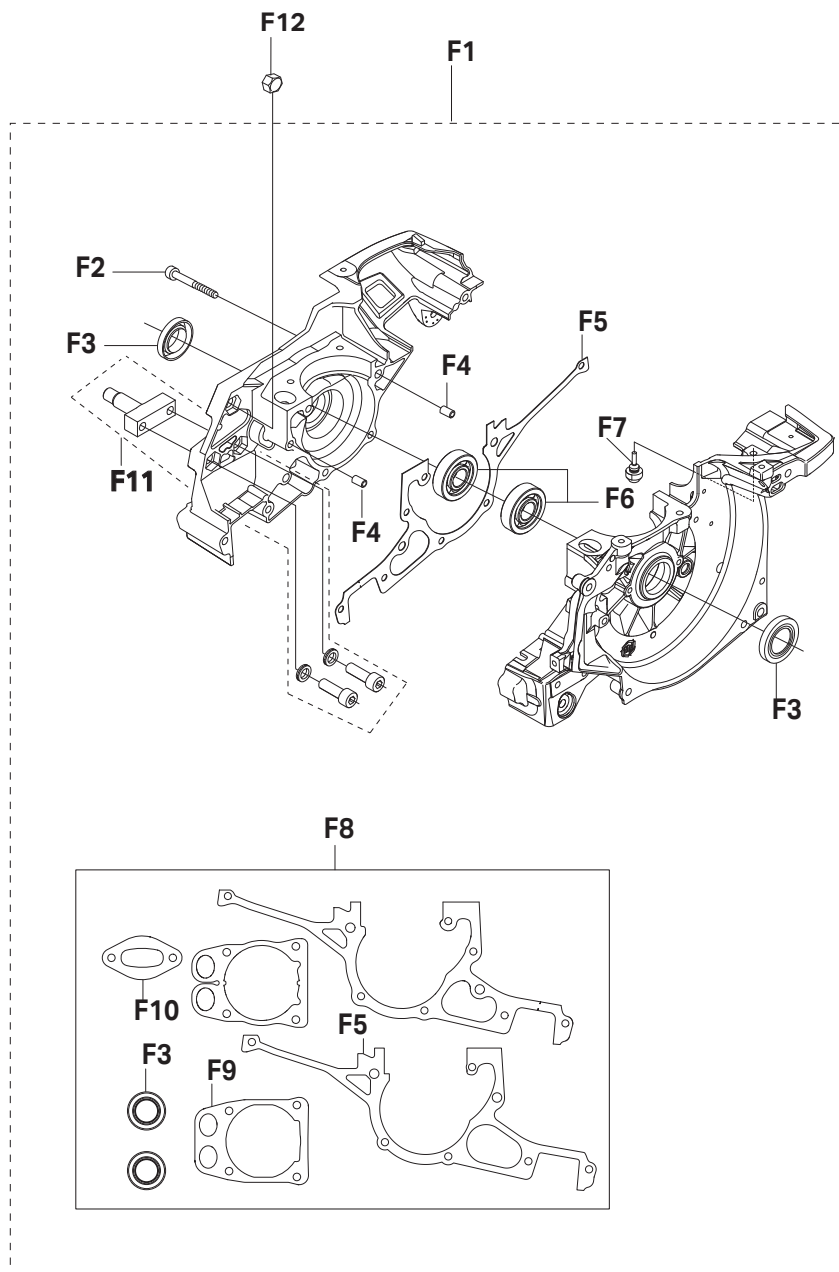
Key #	Part No.	Description
C1	543905	RETAINING RING
C2	551384	SPLIT RETAINER, 695 (PAIR)
C3	543907	SPACER
C4	525496	695F4 FORCE4™ SPROCKET
C4	70949	695GC RIM SPROCKET
C5	543909	CLUTCH CUP
C6	543910	NEEDLE BEARING
C7	543911	BAR BRACKET SCREW
C8	543912	CRANK CASE BOLT
C9	544130	WALLWALKER®
C10	543920	WALLWALKER® SCREW
C11	543915	WATER PIPE
C12	546548	WATER PIPE SCREW
C13	543916	BAR BRACKET
C14	547856	CLUTCH KIT
C15	543928	CLUTCH SPRING
C16	544137	SHIELD



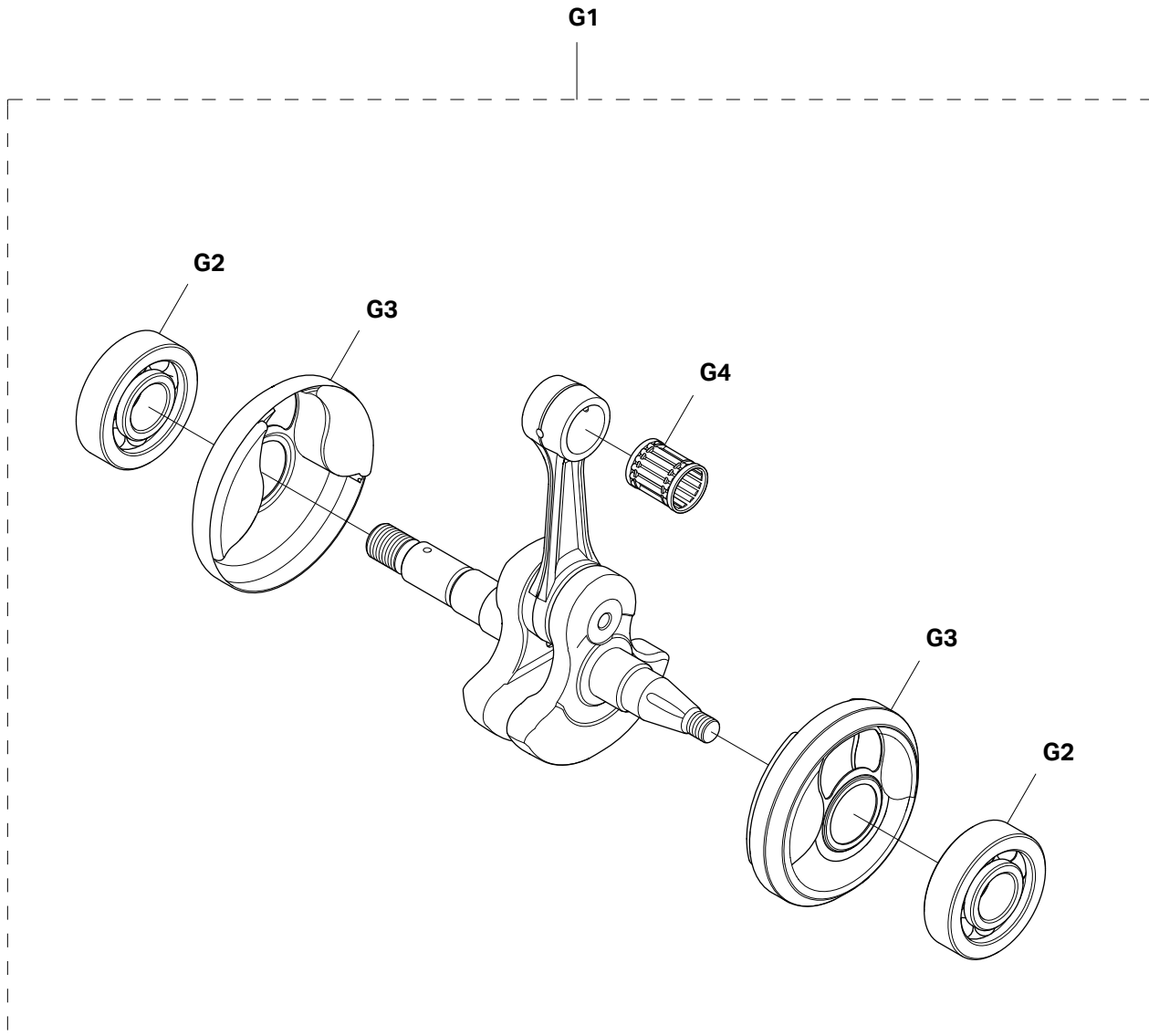
Key #	Part No.	Description
D1	543899	SIDE COVER (INCLUDES #D2 & D3)
D2	543900	SIDE COVER NUT
D3	543901	SIDE COVER NUT CIRCLIP
D4	543902	TENSIONER COVER PLATE
D5	543903	SCREW, SIDE COVER CAP
D6	543904	TENSIONER



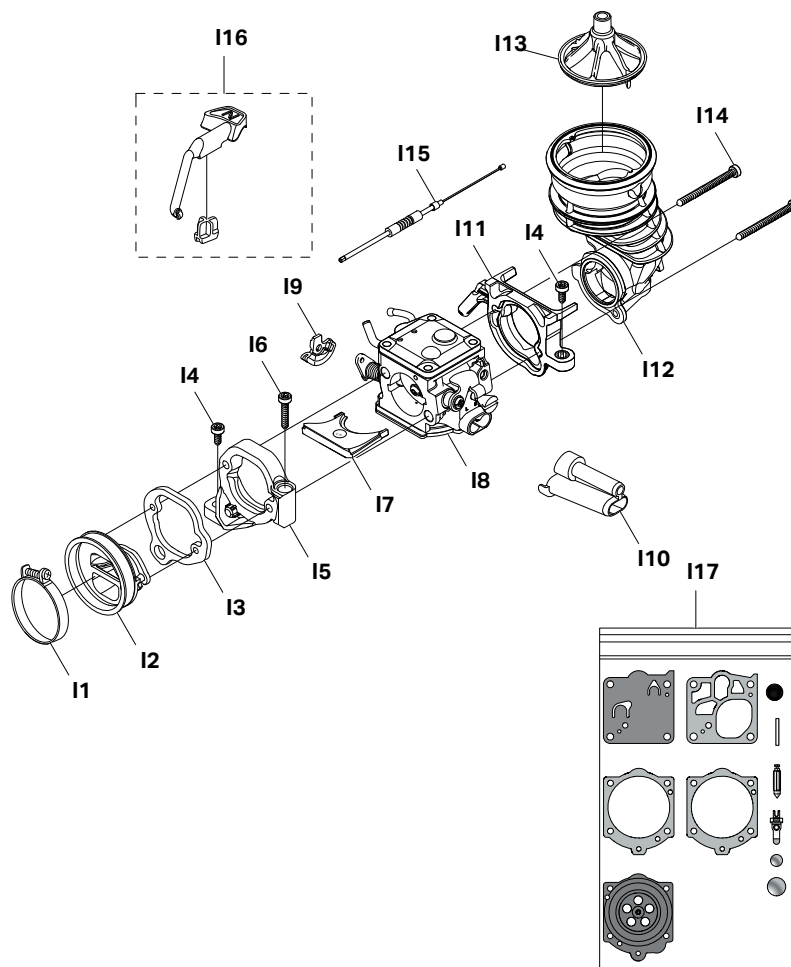
Key #	Part No.	Description
E1	543942	CYLINDER/MUFFLER SCREW
E2	576169	PISTON/CYLINDER KIT
E3	543844	HEAT DEFLECTOR
E4	543938	MUFFLER GASKET
E5	543845	MUFFLER
E6	543846	LOWER MUFFLER MOUNTING SCREW
E7	543847	MUFFLER MOUNTING WASHER
E8	576166	DECOMPRESSION VALVE
E9	576165	CYLINDER BASE GASKET
E10	543949	NEEDLE BEARING
E11	543936	GASKET KIT
E12	543931	SEALING RING
E13	543933	CRANKCASE GASKET



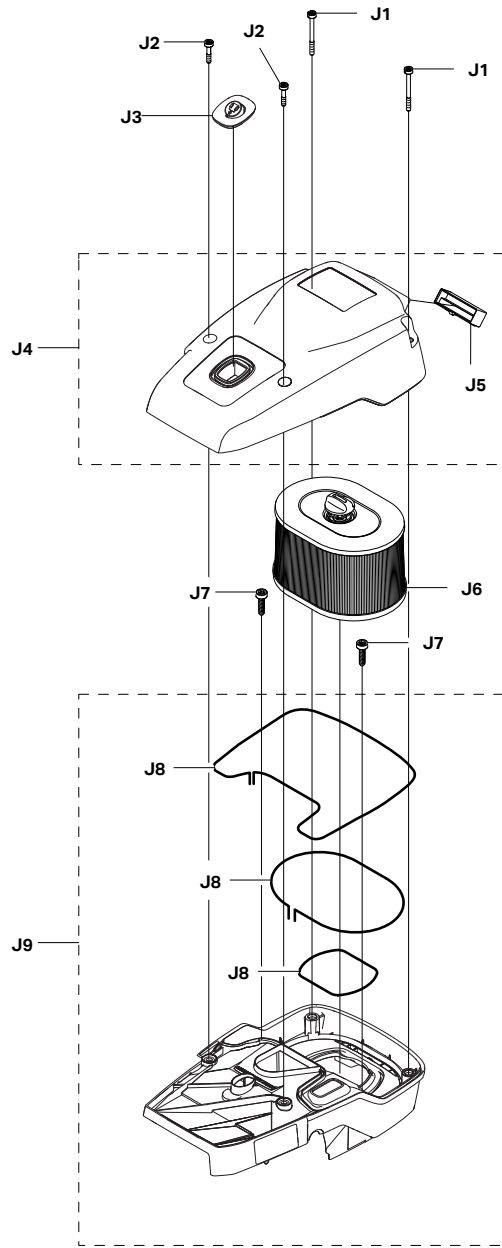
Key #	Part No.	Description
F1	576170	CRANKCASE ASSEMBLY
F2	543930	CRANKCASE SCREW
F3	543931	SEALING RING
F4	543932	GUIDE BUSHING
F5	543933	CRANKCASE GASKET
F6	543934	MAIN BEARING
F7	543935	RUBBER BUSHING
F8	543936	GASKET KIT
F9	543937	CYLINDER BASE GASKET
F10	543938	MUFFLER GASKET
F11	544129	BAR STUD KIT
F12	543941	BAR BRACKET FASTENER



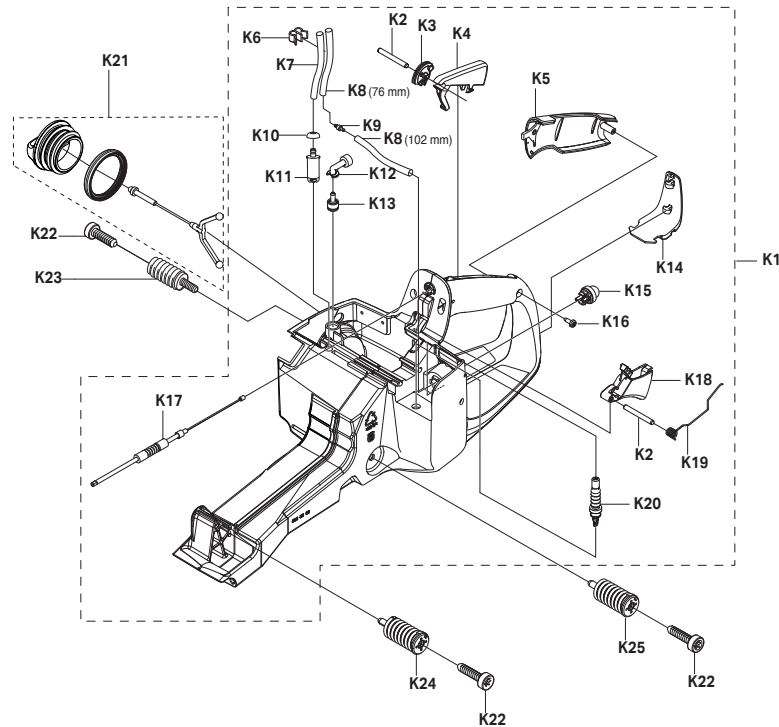
Key #	Part No.	Description
G1	543952	CRANKSHAFT ASSEMBLY
G2	543934	MAIN BEARING
G3	543953	CRANKSHAFT SHIELD
G4	543949	NEEDLE BEARING



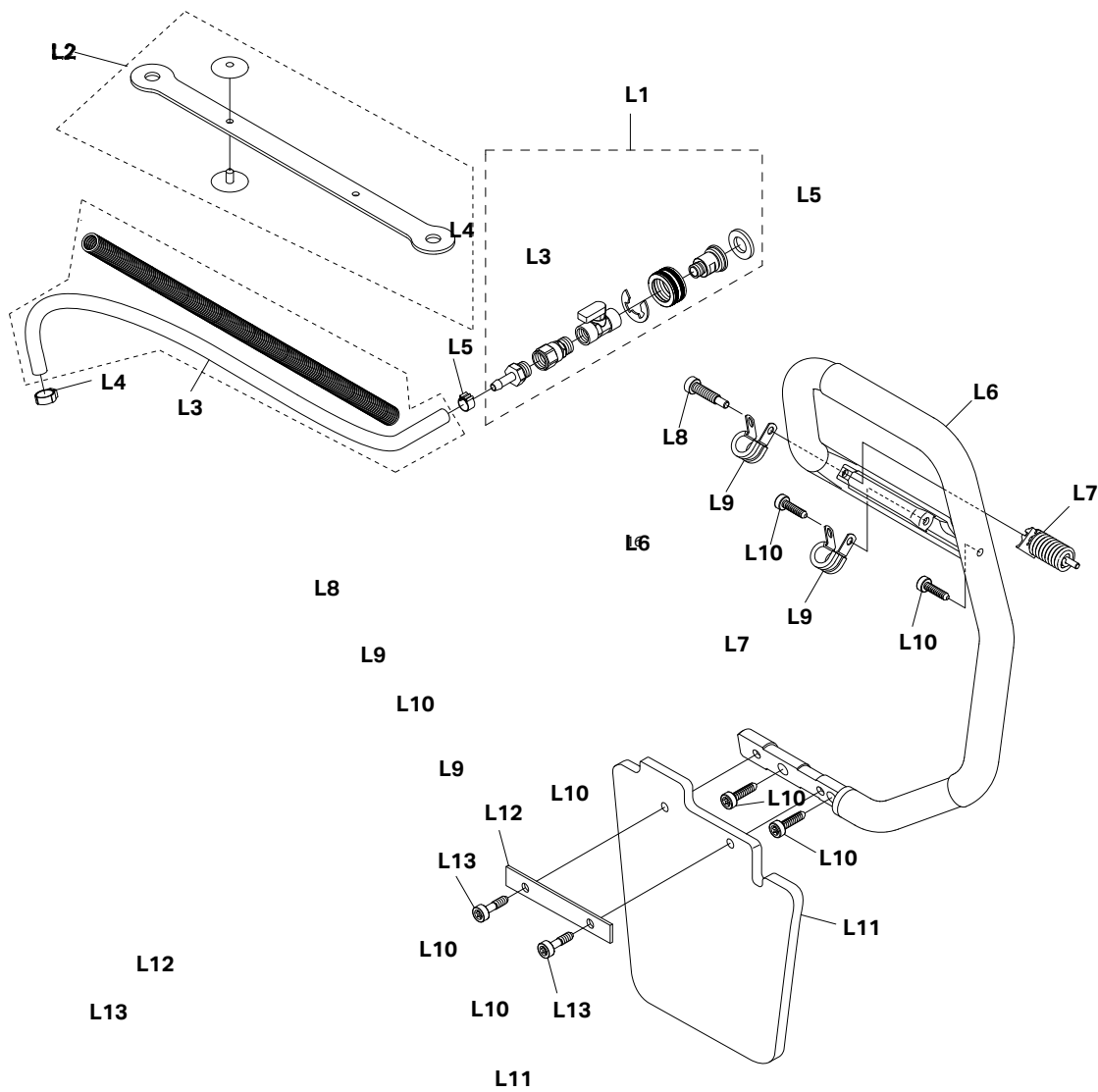
Key #	Part No.	Description
I1	544069	INLET BOOT CLAMP
I2	544070	INLET BOOT
I3	544071	FLANGE
I4	544072	FLANGE CLUTCH SIDE SCREW
I5	544073	FLANGE BRACKET
I6	544065	SCREW
I7	544074	SEPARATOR PLATE
I8	544075	CARBURETOR (WALBRO RWJ-7)
I9	544111	THROTTLE CABLE LEVER
I10	576168	ADJUSTMENT GUIDE
I11	544112	MANIFOLD BRACKET
I12	544113	AIR INTAKE MANIFOLD
I13	544114	AIR FILTER BRACKET
I14	544115	CARBURETOR MOUNTING SCREW
I15	543975	THROTTLE CABLE ASSEMBLY
I16	544117	CHOKE LEVER
I17	576161	CARBURETOR REPAIR KIT (Only for 695XL, will not fit 695GC/F4/PG)



Key #	Part No.	Description
J1	544060	FILTER COVER REAR SCREW
J2	544061	FILTER COVER FRONT SCREW
J3	576167	PLUG (may be required on older 695GC/F4 models)
J4	544062	FILTER COVER
J5	544063	AIR INTAKE INSERT
J6	544064	AIR FILTER
J7	544065	CYLINDER COVER SCREW
J8	544067	CYLINDER COVER SEALS
J9	544066	CYLINDER COVER ASSEMBLY



Key #	Part No.	Description
K1	543812	FUEL TANK ASSEMBLY
K2	543813	PARALLEL PIN
K3	543814	CABLE LEVER
K4	543815	THROTTLE LOCK OUT LEVER
K5	543816	REAR HANDLE COVER
K6	543818	CLIP
K7	543993	FUEL LINE
K8	543994	CHECK VALVE TUBE
K9	543969	CHECK VALVE
K10	543970	HOSE CLAMP
K11	543971	FUEL FILTER
K12	544990	TANK VENT ELBOW
K13	544122	TANK VENT
K14	543972	REAR HANDLE GROUND SUPPORT
K15	543973	PURGE BULB
K16	543974	REAR HANDLE SCREW
K17	543975	THROTTLE CABLE ASSEMBLY
K18	543976	THROTTLE TRIGGER
K19	543977	TRIGGER SPRING
K20	543995	PURGE BULB TUB
K21	543979	GAS TANK CAP ASSEMBLY
K22	543981	SHOCK ABSORBER SCREW
K23	543982	SHOCK ABSORBER CLUTCH SIDE
K24	543983	SHOCK ABSORBER FRONT
K25	543984	SHOCK ABSORBER FLYWHEEL SIDE



Key #	Part No.	Description
L1	543999	WATER HOSE VALVE ASSEMBLY
L2	547969	HOSE HANGER
L3	543999	WATER HOSE WITH PROTECTIVE COVERING
L4	544000	CLAMP, WATER HOSE
L5	544001	CLAMP, WATER HOSE VALVE SIDE
L6	544002	FRONT HANDLE
L7	544003	SHOCK ABSORBER, FRONT HANDLE
L8	543981	SCREW, SHOCK ABSORBERS
L9	544008	CLIP, FRONT HANDLE
L10	544009	SCREW, FRONT HANDLE
L11	576679	MUD FLAP
L12	544011	BACKING PLATE, MUD FLAP
L13	544012	SCREW, MUD FLAP