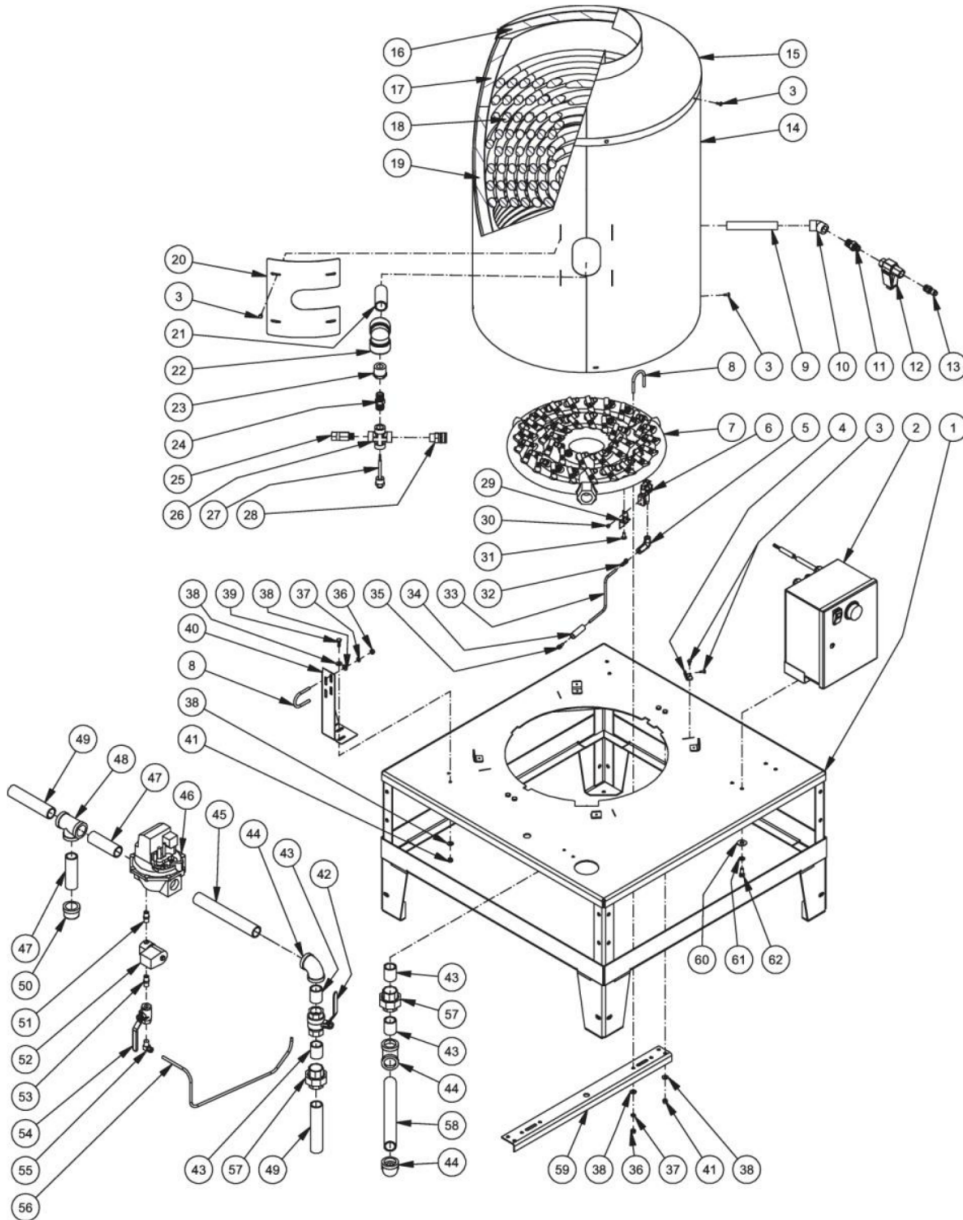




HGM-3508-0E10 / HGM-3508-0E10 (sn:0-99999999)

FRAME ASSEMBLY



Id	Item #	Description	Quantity	Rev	Comments
1	5-0267A18	COIL BASE ASSEMBLY	1		
2	N/A Sep.	ELECTRIC BOX ASSEMBLY (SEE EXPLODED DRAWING)	1		
3	27-3062	BOLT	22		
4	20-0651A18	COIL RETENTION CLIP	4		
5	44-0118	BOOT	1		

Id	Item #	Description	Quantity	Rev	Comments
6	44-0115	IGNITOR SENSOR PILOT BURNER	1		
6	44-0116	IGNITOR SENSOR PILOT BURNER (HX-0180)	1		
7	4-0023	BURNER RING	1		
7	4-0025	BURNER RING (LP) (HX-0180)	1		
8	31-2008	U-BOLT	3		
9	24-0246	PIPE NIPPLE	1		
10	24-0148	ELBOW	1		
11	24-0024	NIPPLE	1		
12	22-0348	FLOW SWITCH	1		
13	17-0005	QUICK CONNECT PLUG	1		
14	20-0924A18	COIL WRAP	1		
15	20-0935A18	DOME ASSEMBLY	1		
16	850-0367	INSULATION DOME	1		
17	850-0366	INSULATION BLANKET	1		
18	66-0020	COIL ASSEMBLY	1		
19	850-0365	INSULATION BLANKET	1		
20	20-0925A18	OUTERWRAP ASSEMBLY	1		
21	24-0288	PIPE NIPPLE	1		
22	24-0298	ELBOW	1		
23	24-0303	REDUCER	1		
24	24-0031	NIPPLE	1		
25	22-0309	SAFETY RELIEF VALVE	1		
26	24-0241	CROSS	1		
27	32-0734	ADJUSTABLE THERMOSTAT	1		
28	17-0029	QUICK CONNECT SOCKET	1		
29	20-0936A18	IGNITOR BRACKET	1		
30	27-2096	SLOT PAN	2		
31	27-0014	BOLT	2		
32	44-0119	SPARK PLUG TERMINAL	1		
33	44-0117	IGNITOR WIRE	1		
34	33-0219	HEAT SHRINK *(TWO FEET REQUIRED)	1		
35	32-0221	TERMINAL	1		
36	30-0002	HEX NUT	6		
37	29-0006	LOCKWASHER	6		
38	28-0002	WASHER	14		
39	27-0015	BOLT	2		
40	20-0948A18	BRACKET	1		
41	30-0155	LOCKNUT	1		
42	22-0344	BALL VALVE	1		

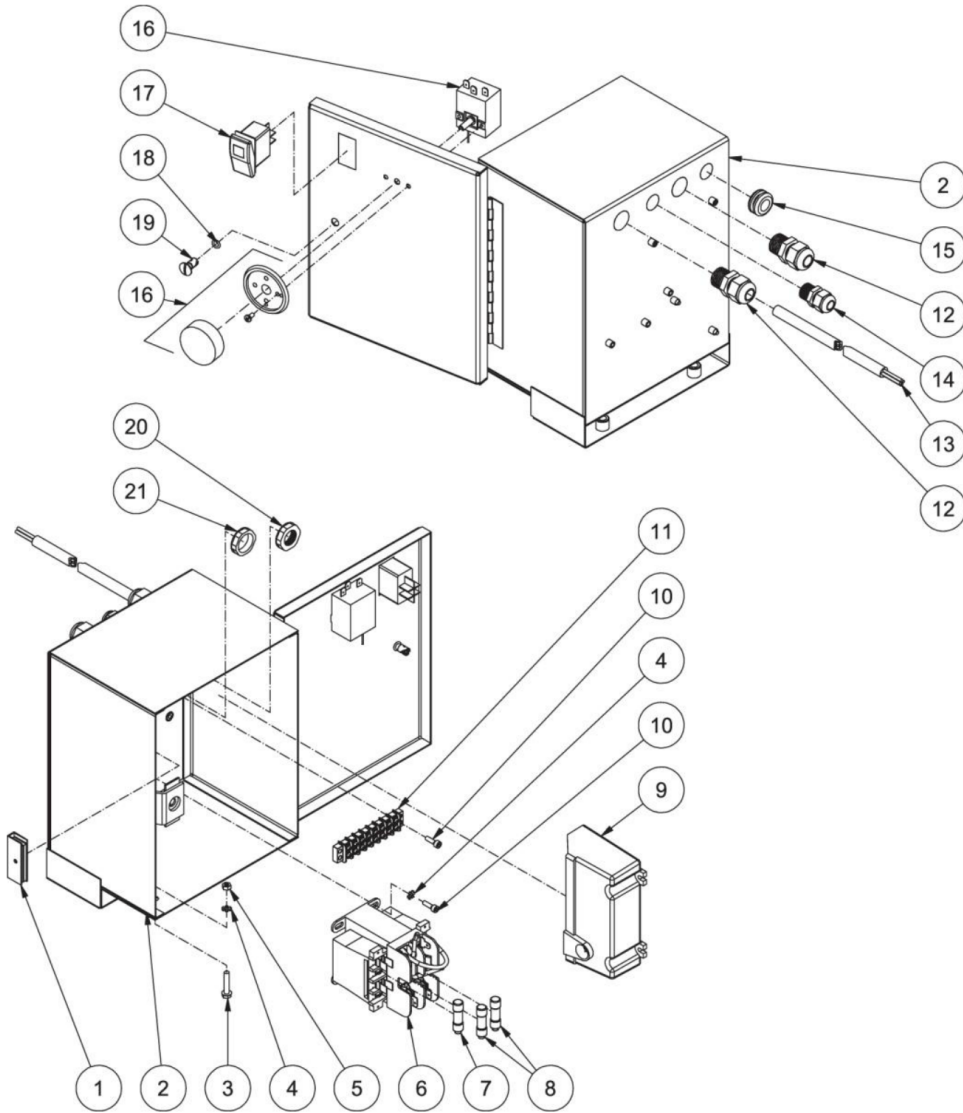
Id	Item #	Description	Quantity	Rev	Comments
43	24-0012	CLOSE NIPPLE	4		
44	24-0096	ELBOW	3		
45	24-0252	PIPE NIPPLE	1		
46	22-0407	GAS REGULATING VALVE	1		
46	22-0417	GAS REGULATING VALVE (LP) (HX-0180)	1		
47	24-0260	PIPE NIPPLE	2		
48	24-0261	TEE	1		
49	24-0097	NIPPLE	2		
50	24-0262	CAP	1		
51	23-0103	NIPPLE	1		
52	22-0409	PILOT VALVE	1		
53	24-0462	REDUCER	1		
54	22-0002	BALL VALVE	1		
55	23-0417	ELBOW	1		
56	54-0027	TUBE *(THREE FEET REQUIRED)	1		
57	24-0259	UNION	2		
58	24-0289	PIPE NIPPLE	1		
59	20-0923A18	BURNER SUPPORT	1		
60	28-0023	FLATWASHER	4		
61	29-0007	LOCKWASHER	4		
62	27-0066	BOLT	4		

*MUST ORDER IN ONE FOOT LENGTHS



HGM-3508-0E10 / HGM-3508-0E10 (sn:0-99999999)

ELECTRIC BOX



Id	Item #	Description	Quantity	Rev	Comments
1	33-0390	MAGNETIC CATCH	1		
2	32-0765A18	ELECTRIC BOX ASSEMBLY	1		
3	27-8807	BOLT	1		
4	28-1009	LOCKWASHER	6		
5	30-6001	HEX NUT	3		
6	32-0324	TRANSFORMER - 120-240V TO 24V	1		
6	32-0735	TRANSFORMER - 240-460V TO 24V (HX-0129 ONLY)	1		

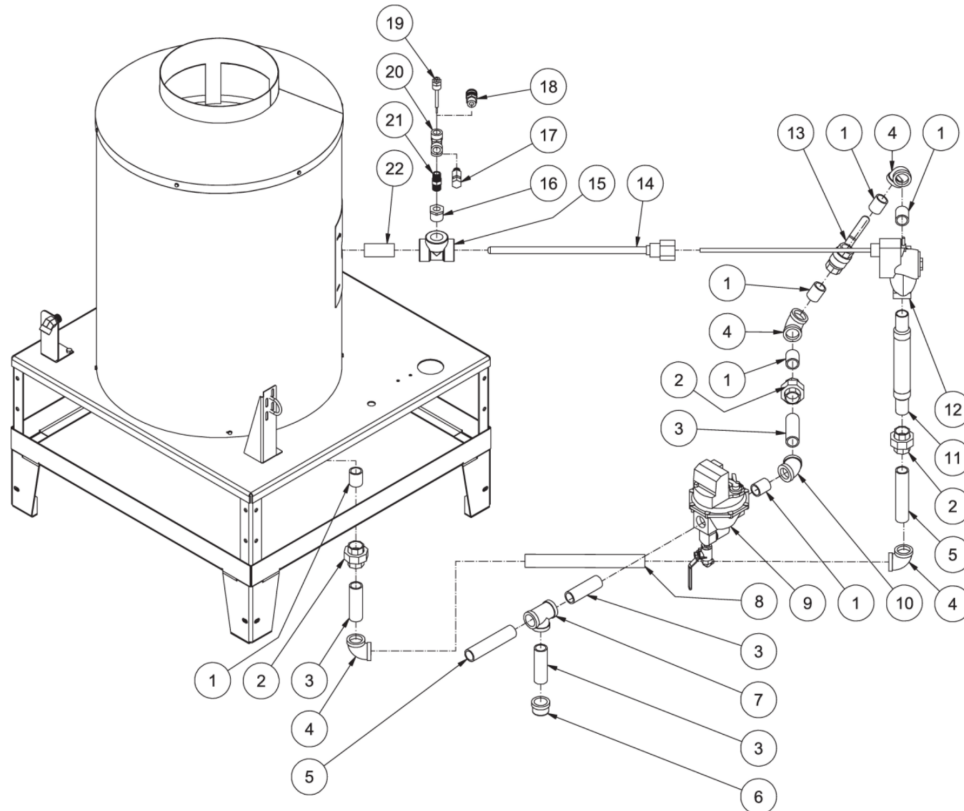
Id	Item #	Description	Quantity	Rev	Comments
7	32-0743	FUSE- PRIMARY FLA 6-1/4	1		
8	32-0741	FUSE- PRIMARY KLDR 2	2		
8	32-0740	FUSE- PRIMARY KLDR 1 (HX-0129 ONLY)	2		
9	32-0936	IGNITION MODULAR	1		
10	27-8835	BOLT	4		
11	32-0436	TERMINAL STRIP	1		
12	32-0437	STRAIN RELIEF	2		
13	32-0247	CORD *(THREE FEET REQUIRED)	1		
14	32-0586	STRAIN RELIEF	1		
15	33-0001	GROMMET	1		
16	32-0734	ADJUSTABLE THERMOSTAT	1		
17	32-0731	ROCKER SWITCH	1		
18	25-0209	O-RING	1		
19	33-0197	FASTENER	1		
20	32-0587	LOCKNUT	1		
21	32-0108	LOCKNUT	2		

*MUST ORDER IN ONE FOOT LENGTHS



HGM-3508-0E10 / HGM-3508-0E10 (sn:0-99999999)

HX-0186



Id	Item #	Description	Quantity	Rev	Comments
1	24-0012	PIPE NIPPLE	6		
2	24-0259	UNION	3		
3	24-0260	PIPE NIPPLE	4		
4	24-0096	ELBOW	4		
5	24-0097	PIPE NIPPLE	2		
6	24-0262	CAP	1		
7	24-0261	TEE	1		
8	24-0289	PIPE NIPPLE	1		
9	22-0407	GAS REGULATOR	1		
10	24-0013	ELBOW	1		
11	15-0271	GAS HOSE	1		
12	22-0401	MODULATING GAS VALVE	1		

Id	Item #	Description	Quantity	Rev	Comments
13	22-0344	BALL VALVE	1		
14	24-0296	SOCKET	1		
15	24-0291	TEE	1		
16	24-0303	REDUCER	1		
17	22-0309	SAFETY RELIEF VALVE	1		
18	17-0029	QUICK CONNECT (HX-0184)	1		
19	32-0962	ADJUSTABLE THERMOSTAT	1		
20	24-0241	CROSS	1		
21	24-0031	HEX NIPPLE	1		
22	24-0288	PIPE NIPPLE	1		



HGM-3508-0E10 / HGM-3508-0E10 (sn:0-99999999)

HX-0188

Id	Item #	Description	Quantity	Rev	Comments
1	20-0935A18	EXHAUST DOME ASSY	1		
2	850-0397	INSULATION DOME	1		
3	21-0246	SS WRAP	1		