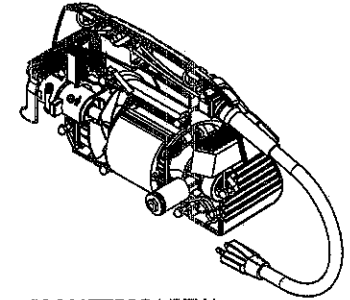
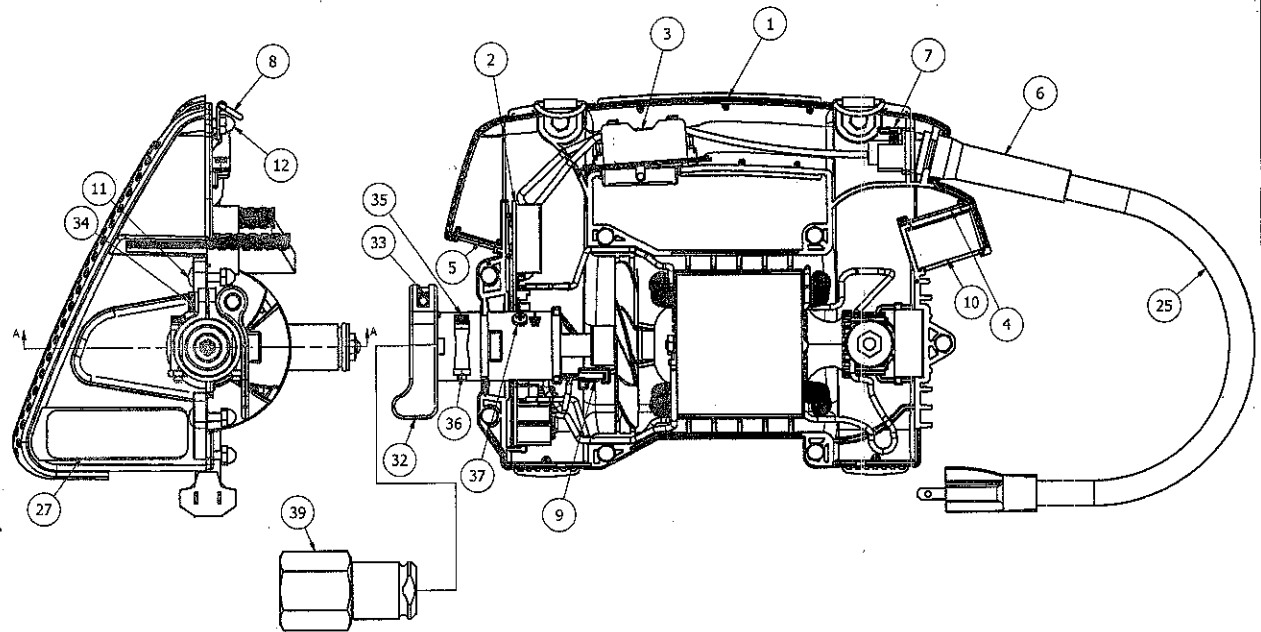


SECTION A-A
SCALE: 1/2 : 1



ISOMETRIC VIEW
SCALE: 1/4 : 1



DRAWING #		PARTS LIST	
ITEM	QTY	PART NUMBER	DESCRIPTION
1	1	W423100B	HOUSING, BLUE (RIGHT SIDE NOT SHOWN)
2	1	W425500	CONTROL BOARD
3	1	W423110	SWITCH, ROCKER; 20A 125-250 VAC
4	1	W423130	SCREEN, INTAKE
5	1	W423131	SCREEN, EXHAUST
6	1	W415338	BEND RELIEF
7	1	W423133	STRAIN RELIEF BUSHING
8	2	W819014	D-RING
9	1	W423111	HALL EFFECT SENSOR ASSEMBLY
10	1	W423132	FILTER INTAKE
11	9	W423140	CARRIAGE SCREW; 10-32 UNF; 3/4"
12	9	W423141	ACORN NUT, SELF-LOCKING; 10-32 UNF
13	1	W424125	CUP, BEARING; OFFSET; ANODIZE
14	2	W099909	BEARING, BALL; 1.18 OD; .394 BORE
15	1	W423120	ARMATURE; 15 AMP; 115 VOLT
16	1	W423121	FIELD; 15 AMP; 115 VOLT
17	1	W415212	SCREW, MACHINE; 10-32 x 3"
18	1	W415518	DRIVER, HEX; MOTOR
19	1	W415333	SPRING, LOADING
20	1	W423220	Q.D. MOTOR CONNECTOR; GROUND
21	2	W423115	BRUSH HOLDER
22	2	W423117	ASSEMBLY, BRUSH & SPRING; 115V
23	2	W423106	BRUSH CAP
24	2	W423107	BRUSH CAP O-RING
25	1	W423150	CORD SET, 115V; 2 WIRE; W/PLUG
26	1	W423180	LABEL, SURE SPEED
27	1	W423190	NAMEPLATE, 115V; MOTOR; DOUBLE INSULATED
28	1	W819013	STRAP, CARRY (NOT SHOWN)
29	1	W423158	CORD CLAMP (NOT SHOWN)
30	1	W423189	SOFT START LABEL (NOT SHOWN)
31	1	W423188	LABEL, HEAD CHART (NOT SHOWN)
32	1	W423330	Q.D. LEVER
33	1	W423331	Q.D. LEVER BUSHING
34	1	W423332	Q.D. SELF-LOCKING SHOULDER SCREW
35	2	W423337	Q.D. SCREW
36	2	W423336	NUT, HEX, #10-24
37	1	W423345	SCREW, PAN HEAD; #8-32 W/TOOTH LOCKWASHER
38	1	W423346	NUT, HEX; #10-32; W/TOOTH LOCKWASHER
39	1	W423500	Q.D. TO THREAD ADAPTOR; ASSEMBLY
40	1	W423172	SHIPPING CARTON (NOT SHOWN)
41	2	W423173	SHIPPING CARTON INSERT (NOT SHOWN)
42	1	W423174	SELF LOCKING TIE WRAP (NOT SHOWN)
43	1	W423175	VINYL ENVELOPE (NOT SHOWN)
44	4	W423182	LABEL, STOCK, SILVER; 3/4" SERIAL LABEL (NOT SHOWN)
45	1	RF101138	LABEL, HI POT TEST; PASSED (NOT SHOWN)
46	1	VBR-WR-00328-EN	WARRANTY CARD (NOT SHOWN)
47	1	VBR-UM-00043-EN	OPERATORS AND SERVICE MANUAL (NOT SHOWN)
48	1	01-VBR-MP-00385	CARD; SOFT START; SURE SPEED (NOT SHOWN)