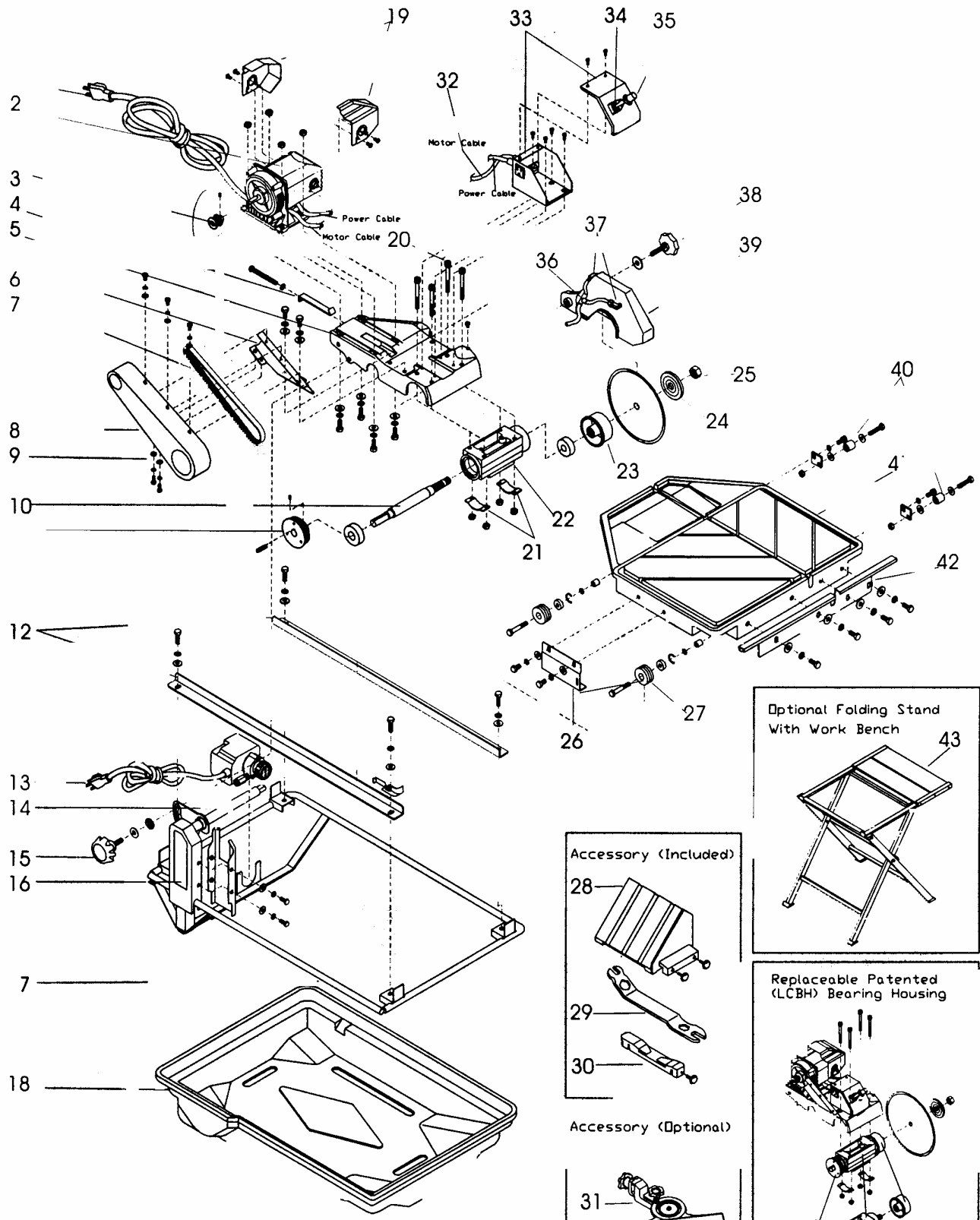
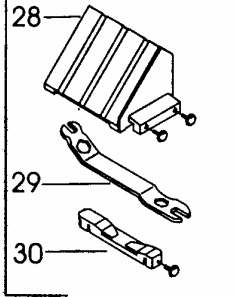


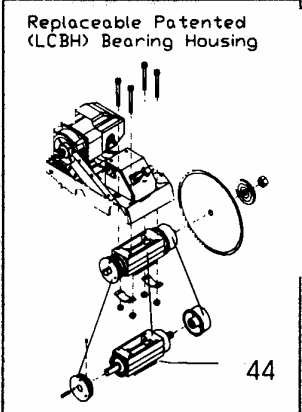
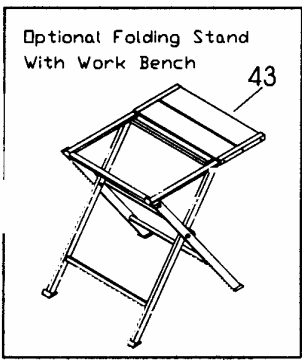
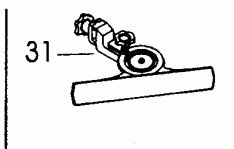
# CTC-705 SAW EXPLODED VIEW



Accessory (Included)



Accessory (Optional)



## CTC705/YTM705 TILE SAW

Item Number	Part Number	Description
1	233001	Power Cable
2	234002	3/4 HP Carbon Brush Motor
3	234003	Motor Shaft Pulley
4	234004	Motor Adjustment Clip
5	234005	Mounting Plate
6	234006	Belt Guard Bracket
7	234007	Timing T Shape Nylon Belt
8	234008	Belt Guard
9	234009	Belt Guard Screws
10	233013	Blade Shaft
11	234011	Blade Shaft Pulley
12	234012	Roller Guide Bar
13	214169	Water Pump PE-1
14	234014	Motor Support Shaft
15	233021	Mounting Plate Adjustment Knob
16	234016	Rear Support Post
17	234017	Metal Frame Assembly
18	234018	A.B.S Water Tray
19	234019	Motor Protection Cover Shield
20	234020	Bearing Housing Secure Brackets w/screws & nuts
21	233049	Bearing Housing Hold Down Bracket
22	233037	Bearing Housing
23	233014	Inner Flange

Item Number	Part Number	Description
24	233016	Outer Flange
25	8142007	Blade Lock Nut
26	234026	Cutting Table Position Bracket
27	234027	U-Shape Ball Bearing Rollers (set of 2)
28	234028	Miter Block (Metal)
29	233041	Universal Wrench
30	234030	45°/90° Rip Guide
31	233043	Adjustable Angle Guard
32	234033	Motor Cable
33	233005	Power Switch Housing Complete Set
34	233003	Power Toggle Switch
35	233004	Circuit Breaker
36	233019	Water Flow "T" Adapter
37	233045	Water Flow "L" Adapter
38	234039	Blade Guard Adjustment Knob
39	234040-1	Blade Guard
40	233025	Angle Bar Roller
41	234042	Cutting Table
42	234043	Ruler Guide
43	705stand	Saw Stand w/WorkBench
44	234045	LCBH Bearing Housing Complete
45	233039	Rubber Splash Guard
46	234046	Carbon Brushes (set of 2)
47	234047	Brush Caps (set of 2)