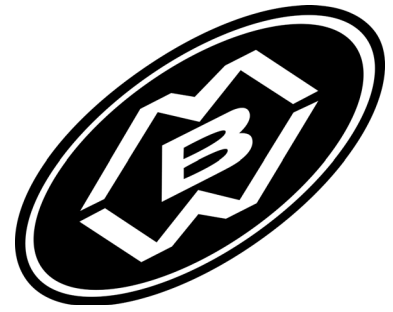


OPERATOR'S SAFETY AND SERVICE MANUAL



AIRAMMER

This manual covers the following serial numbers
and higher for each model listed:

AR56/AR57 570059



RAMMERS

MBW, Inc.
250 Hartford Rd • PO Box 440
Slinger, WI 53086-0440
Phone: (262) 644-5234
Fax: (262) 644-5169
Email: mbw@mbw.com
Website: www.mbw.com

MBW (UK) Ltd.
Units 2 and 3 Cochrane st
Bolton BL3 6BN, England
Phone: 44 (0) 01204 387784
Fax: 44 (0) 01204 387797

MBW France S.A.R.L
Phone: 33 (0) 3 44 07 15 96
Fax: 33 (0) 3 44 07 41 28

L19787 / 9.18.E
©MBW, Inc. 2018
Printed in the USA



19789 (not in decal set)

TO START:
SQUEEZE ACTUATOR
HANDLE
TO STOP: RELEASE

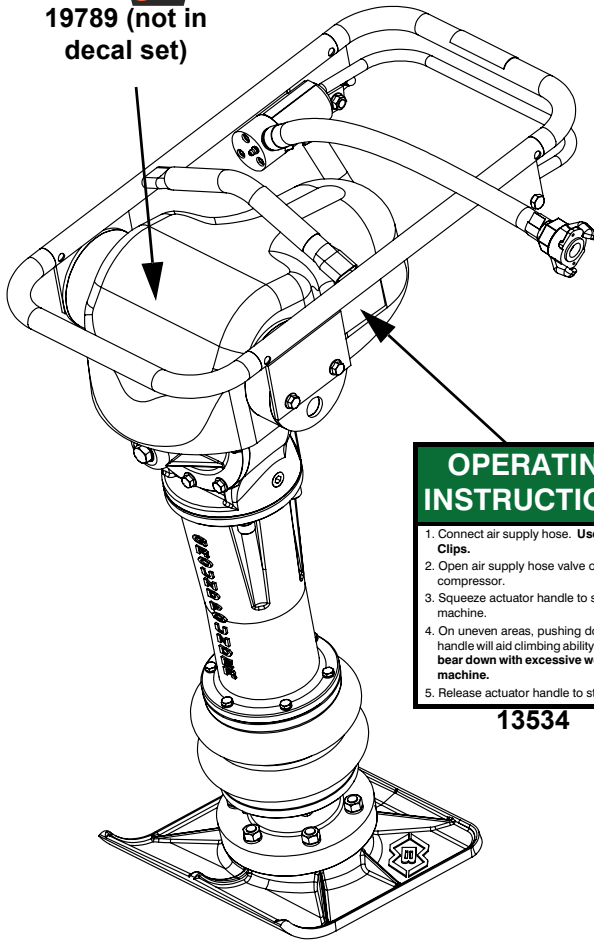
13538

CAUTION

Machine is top heavy and could fall if not lifted from this bar.

AIRRAMMER= #120 (54kg)

17779



OPERATING INSTRUCTIONS

1. Connect air supply hose. Use Safety Clips.
2. Open air supply hose valve on compressor.
3. Squeeze actuator handle to start machine.
4. On uneven areas, pushing down on handle will aid climbing ability. Do not bear down with excessive weight on machine.
5. Release actuator handle to stop.

13534

CAUTION

Read the Operating Instructions before operating this piece of equipment.

Keep unauthorized and untrained people away from this equipment.

ROTATING & MOVING PARTS! Make sure all guards and safety devices are in place.

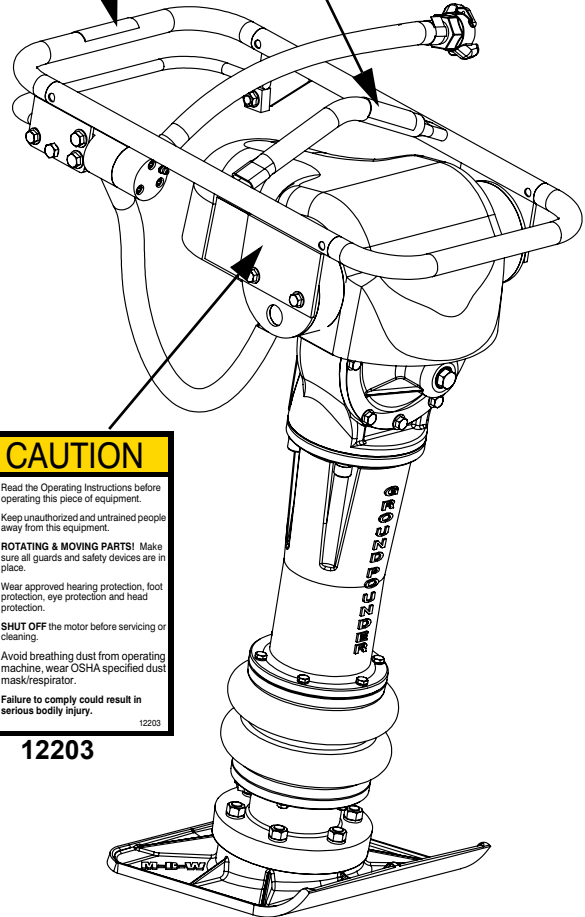
Wear approved hearing protection, foot protection, eye protection and head protection.

SHUT OFF the motor before servicing or cleaning.

Avoid breathing dust from operating machine, wear OSHA specified dust mask/respirator.

Failure to comply could result in serious bodily injury.

12203

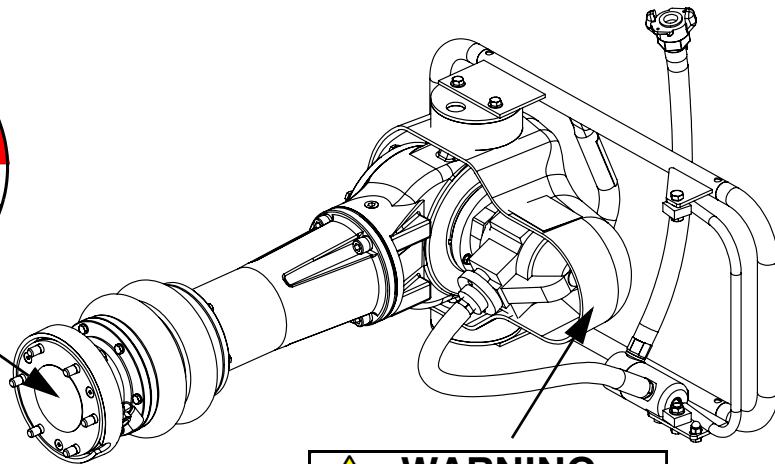


DANGER PELIGRO

Compressed spring could cause severe injury. See manual for disassembly instructions.

La resorte comprimida podría causar la herida severa. Consulte el libro para ver el desmontaje correcto.

01326



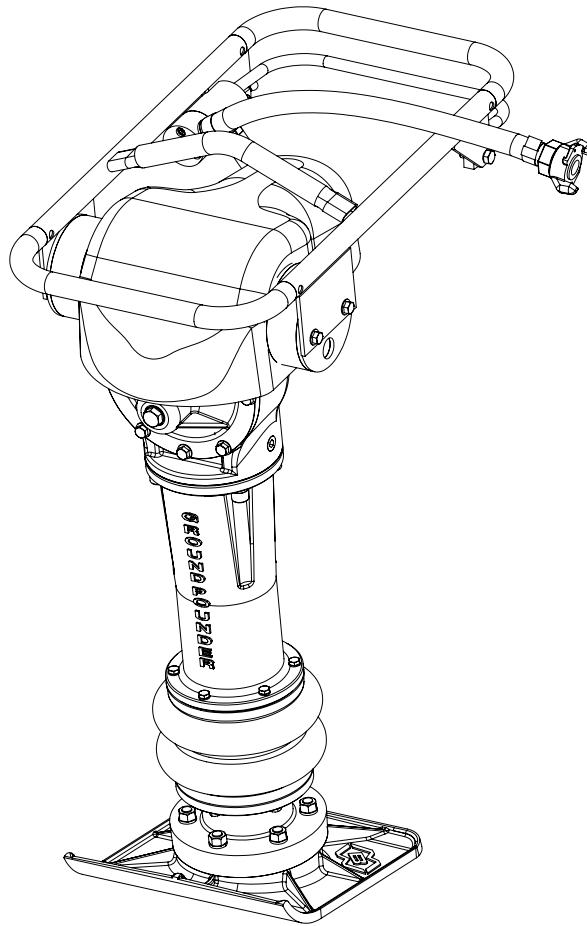
WARNING

Operating, servicing and maintaining this equipment can expose you to chemicals, including engine exhaust, phthalates and lead, which are known to the state of California to cause cancer and birth defects or other reproductive harm. Avoid breathing engine exhaust. Do not operate equipment in confined areas. For more information go to www.P65Warnings.ca.gov

21820 (not in decal set)

Safety Decals (Decal Set #12101)

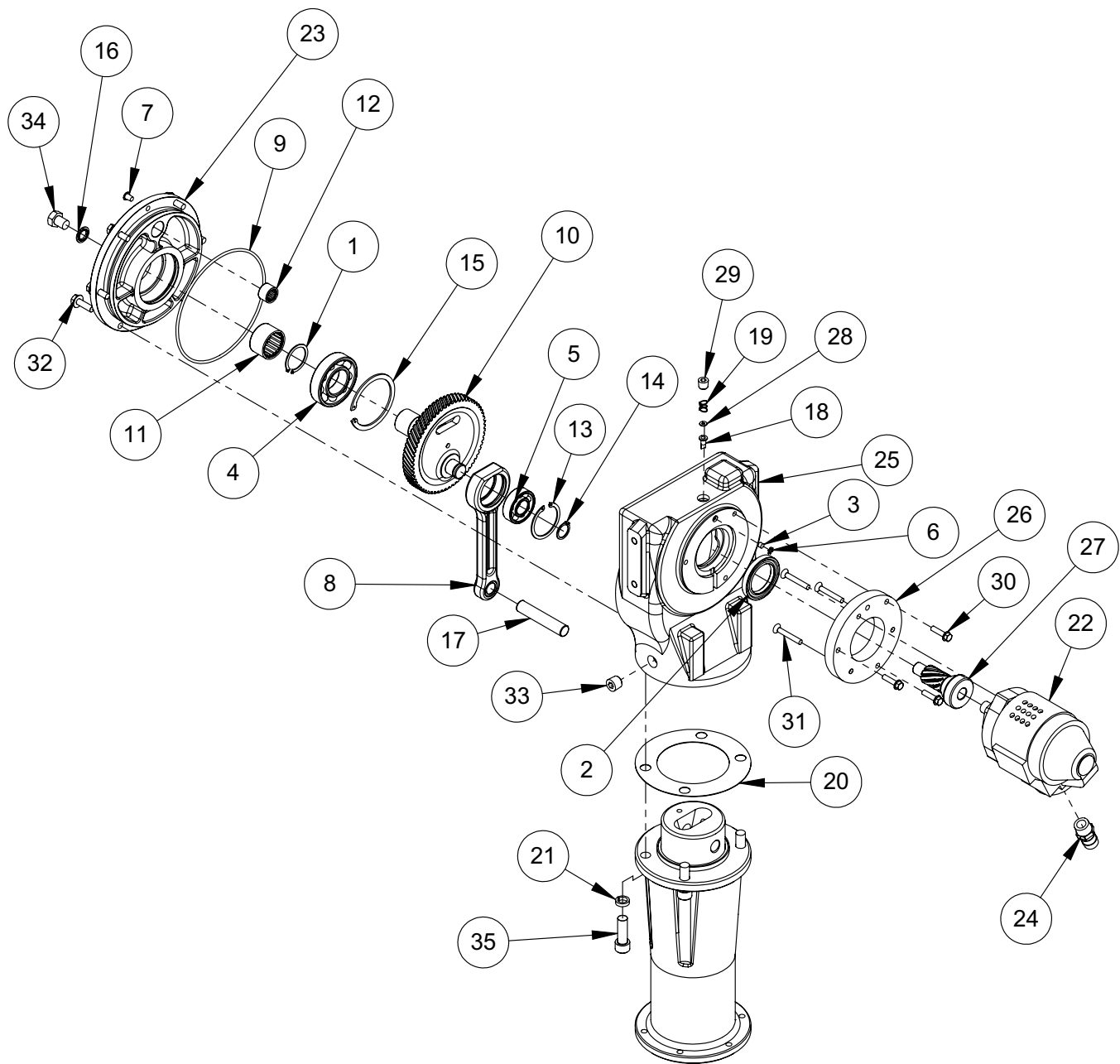
SPECIFICATIONS



AR56

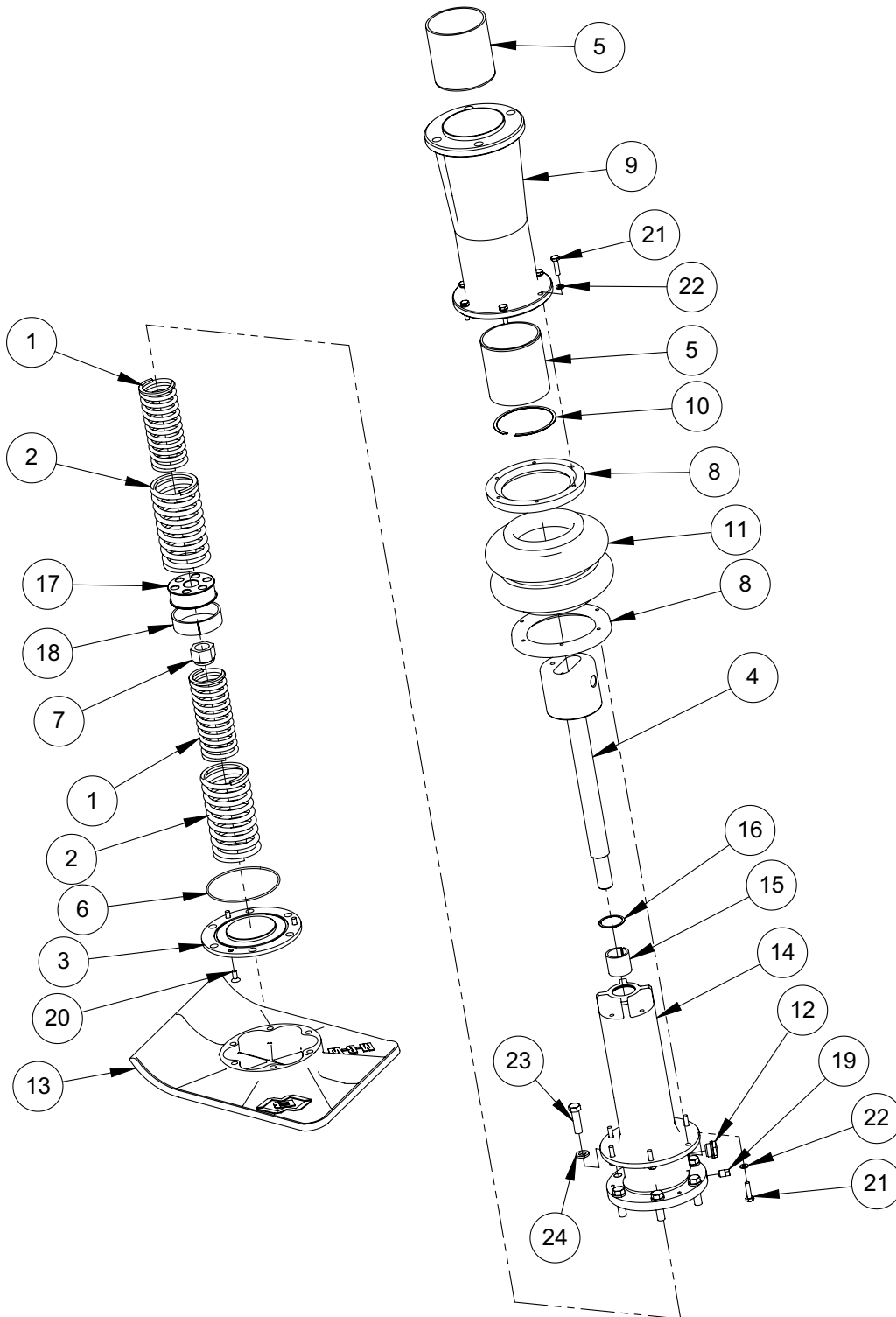
	AR56	AR57
Operating Weight	124 lbs (56 kg)	126 lbs (57 kg)
Percussion Rate	650 blows/minute	
Shoe Size	11" x 13" (28 cm x 33cm)	13" x 15" (33 cm x 38 cm)
Travel Speed	60 ft/min (18.3 m/min)	
Machine Width	13.7"(34.7 cm)	
Compaction Area	3300 ft ² /hour (307m ² /hour)	3900 ft ² /hour (362m ² /hour)
Air Requirement	75 cfm @ 110 psi	
Operating Speed	4500 rpm	
Height x Length x Width	42.5" x 13.5" x 24.75" (108cm x 34 cm x 63cm)	

Specifications subject to change without notice

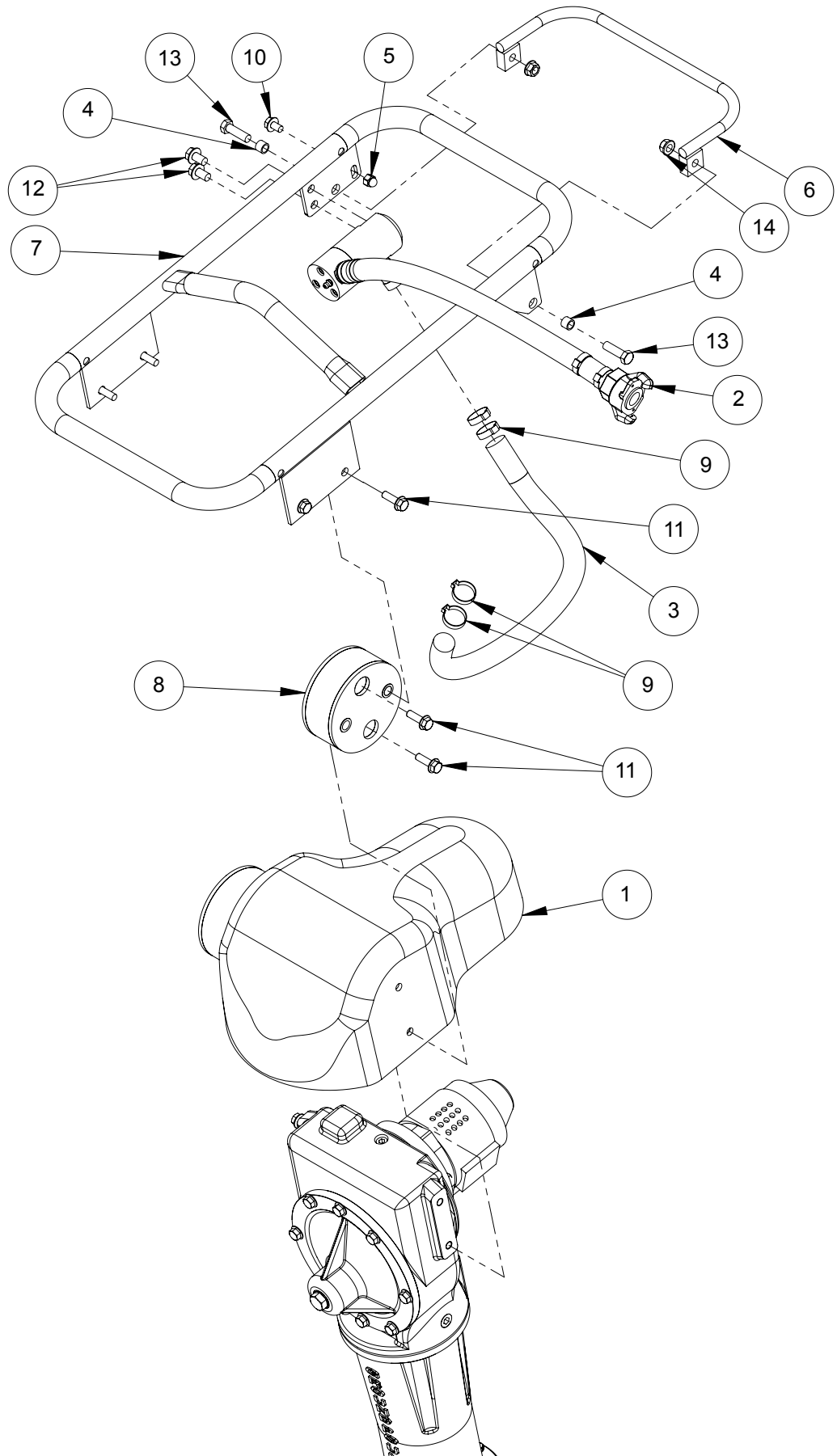


Gearbox Assembly

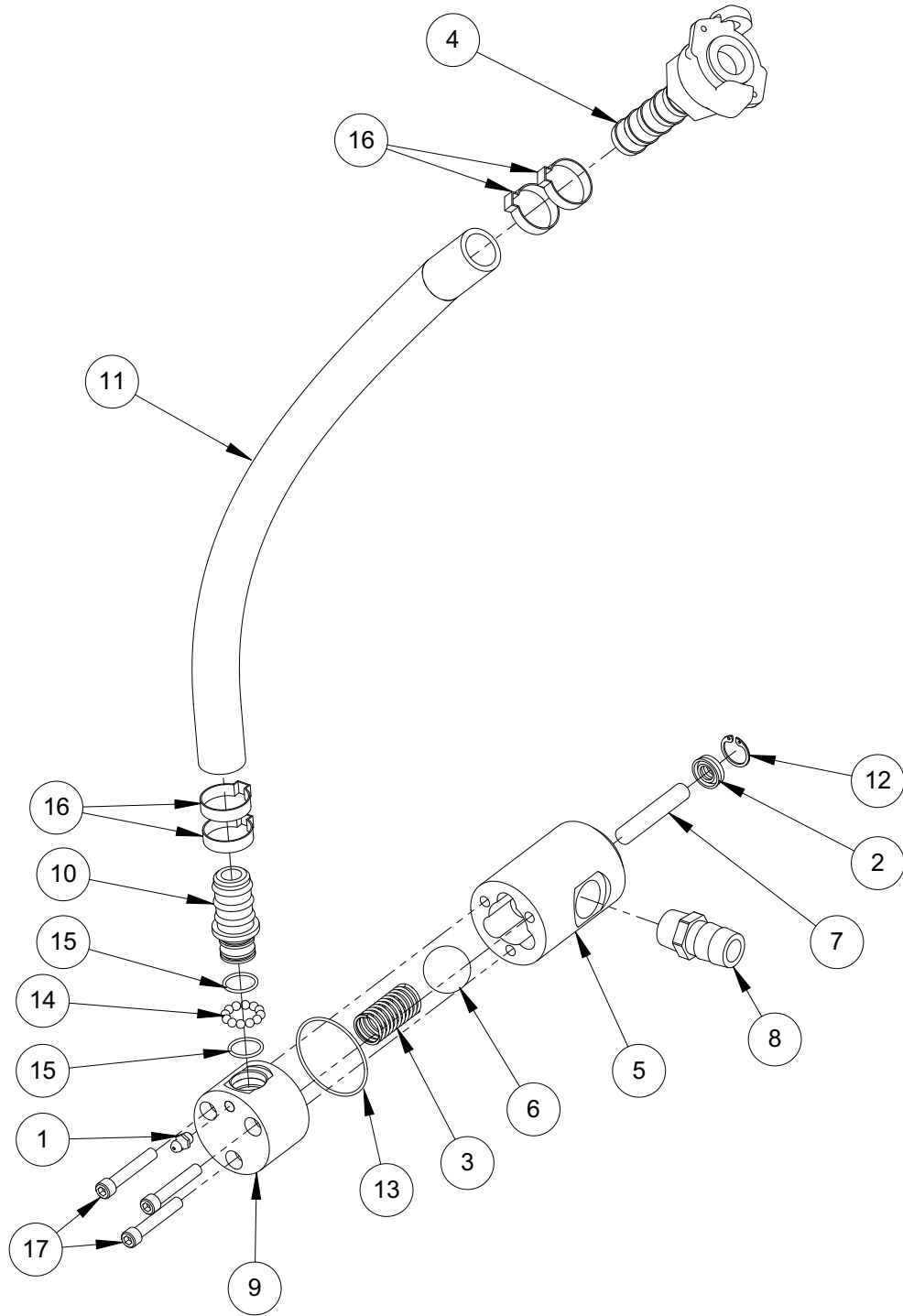
ITEM	PART NO.	DESCRIPTION	QTY
1.	01001	RETAINING RING, EXT. 5100-137	1
2.	01002	SEAL, OIL	1
3.	01072	FILTER, FELT	1
4.	01103	BEARING, BALL	1
5.	01105	BEARING, BALL	1
6.	01191	RETAINING RING, INTERNAL	1
7.	05559	PLUG	2
8.	06161	ROD ASM, CONNECTING	1
9.	06238	O-RING, 6.23 ID X 0.139 DIA	1
10.	06240	GEAR	1
11.	06259	BEARING, NEEDLE	1
12.	06260	BEARING, NEEDLE	1
13.	06264	RETAINING RING, INT .N5000-187	1
14.	06265	RETAINING RING, EXT .5100-78	1
15.	06266	RETAINING RING, INT .N50000-281	1
16.	06275	WASHER, SEAL	1
17.	06304	PIN, PISTON	1
18.	06413	VALVE	1
19.	06423	SPRING, COMP. .420 OD	1
20.	06925	GASKET	1
21.	08504	LOCKWASHER, 1/2 HIGH COLLAR	4
22.	12189	MOTOR, PNEUMATIC TCS (AIR DEFLECTOR ONLY- E660-52)	1
23.	15768	COVER, GEARCASE (MACH.)	1
24.	19708	FITTING, ST, 1/2 NPT X 3/4 HOSE	1
25.	19754	HOUSING, GEARBOX, AR56/57	1
26.	19779	MOTOR ADAPTER, AIRAMMER	1
27.	19782	PINION, GROUND, AR56/57	1
28.	F01PW	WASHER, 5/32 X 3/8 X 18 GA ZP	1
29.	F0418SPP	SOCKET PIPE PLUG, 1/4-18	1
30.	F042008FWS	FWLS, 1/4-20 X 1 ZP	3
31.	F042014FSS	FSS, 1/4-20 X 1-3/4	3
32.	F051808FWS	FWLS, 5/16-18 X 1 ZP	6
33.	F0618SPP	PLUG, PIPE 3/8-18	1
34.	F081305HCS	HHCS, 1/2-13 X 5/8 GR5 ZP	1
35.	F081312SCS	SCS, 1/2-13 X 1-1/2	4
		KITS	
	19392	KIT, AIRAMMER MOTOR, REBUILD	



Lower Unit Assembly



Handle Assembly



Valve Assembly

