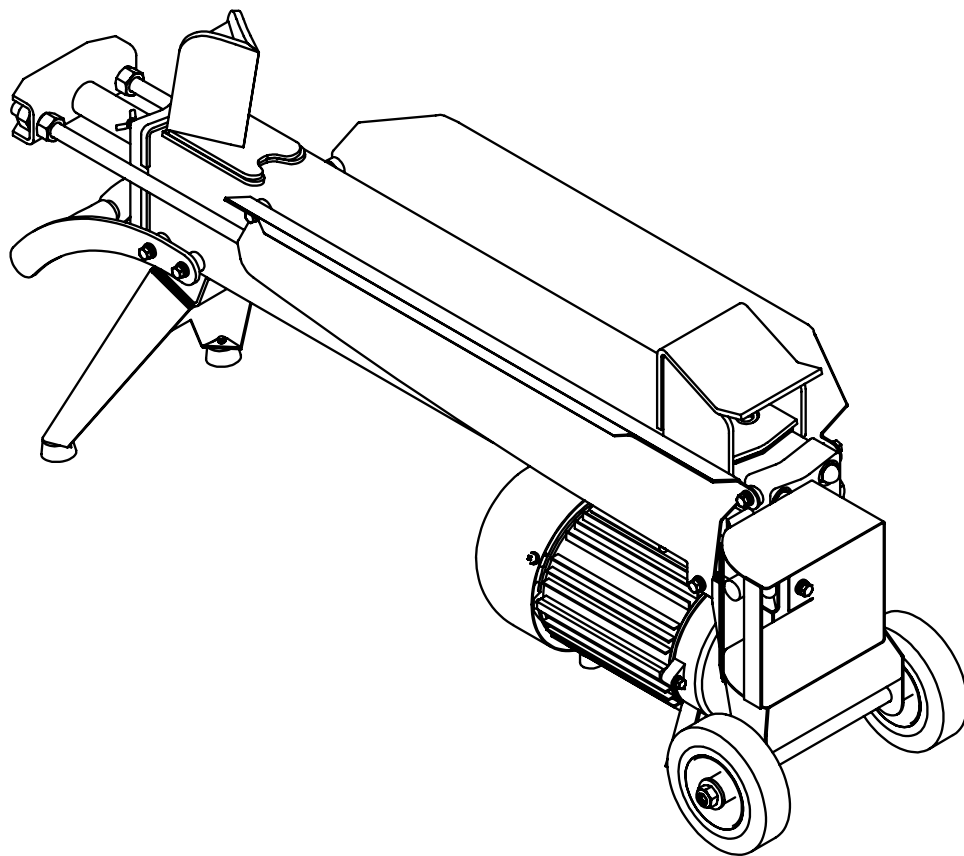


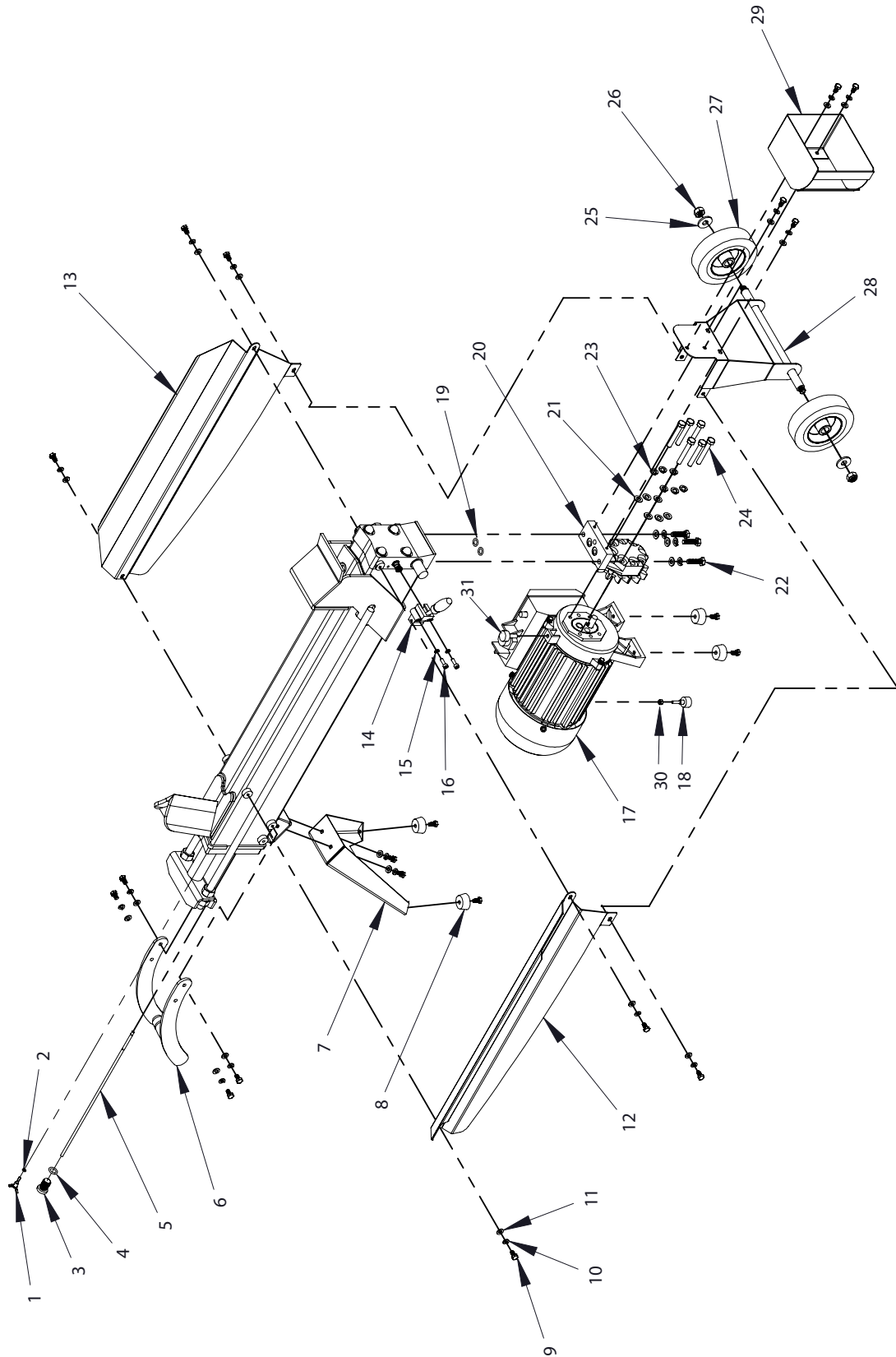


Operator's Manual
Original Operating Instructions

**5-Ton Electric
Log Splitter
W1200**



W1200 MINI ELECTRIC LOG SPLITTER BREAKDOWN





W1200 5-TON ELECTRIC LOG SPLITTER PARTS LIST

KEY NO.	PART NO.	DESCRIPTION	QTY.
1	W120075	BLEED SCREW	1
2	W1200245	O RING 7.5 X 4 X 1.75 W1200	1
3	W120083	OIL DRAIN PLUG W1200	1
4	W120082	O RING 17.5 X 12 X 2.75 W1200	1
5	W120081	DIPSTICK W1200	1
6	W120067	HANDLE ASSY W1200	1
7	W120066	FRONT LEG WELDMENT W1200	1
8	W120006	FOOT RUBBER W1200	4
9	W1200115	BOLT M6-1 X 12 HH GR5 ZN F-T	20
10	W1200116	WASHER M6 X 1.5 SPRLK ZN HIGH COLLAR	16
11	W1200117	WASHER M6 X 13 X 1.75 FLAT ZN	16
12	W120063	LOG CRADLE A W1200	1
13	W120062	LOG CRADLE B W1200	1
14	W1200248	CONTROL LEVER ASSY W1200	1
15	W1200122	WASHER M5 X 1.1 SPRLK HIGH COLLAR	2
16	W1200123	BOLT M5-.8 X 16 SCH GR8.8 BLK OX F-T	1
17	W120001	MOTOR ASSEMBLY W1200	1
18	W1200207	FORWARD FOOT W1200 MOTOR	1
19	W120014	O RING PUMP CASTING W1200	2
20	W1200247	PUMP W1200	1
21	400024	WASHER FLAT M8 8.4 X 16 X 1.6 THK GR8.8 ZN	9
22	W1200118	BOLT M8-1.25 X 30 HH GR8.8 BLK OX F-T	3
23	W1200114	WASHER M8 X 1.9 SPRLK BLK OX HIGH COLLAR	9
24	W1200130	BOLT M8-1.25 X 55 GR 10.9 BLK OX F-T	6
25	W1200126	WASHER M10 X 28 X 2.8 ZN	2
26	W1265V0903	NUT M10-1.5 X 10 HNYLK GR 8.8 ZN	2
27	W120021	WHEEL ASSEMBLY W1200	2
28	W120022	ROLLING WHEEL BRACKET W1200	1
29	W120087	SAFETY GUARD LEVER W1200	1
30	W1200128	NUT M5 X 4 H GR8.8 ZN	1
31	W120003	VIBRATION DAMPENER W1200	1