

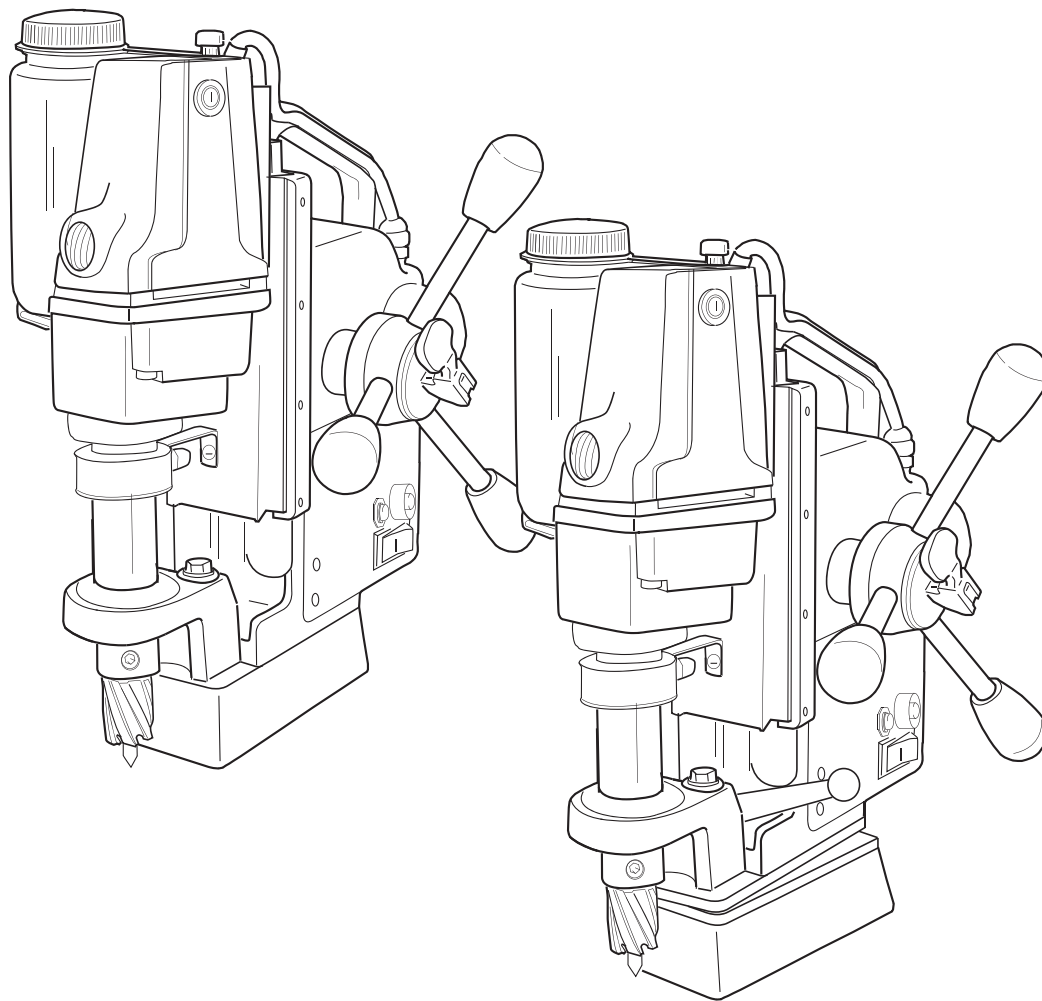


# HMD968

## POWER FEED MAGNETIC DRILL

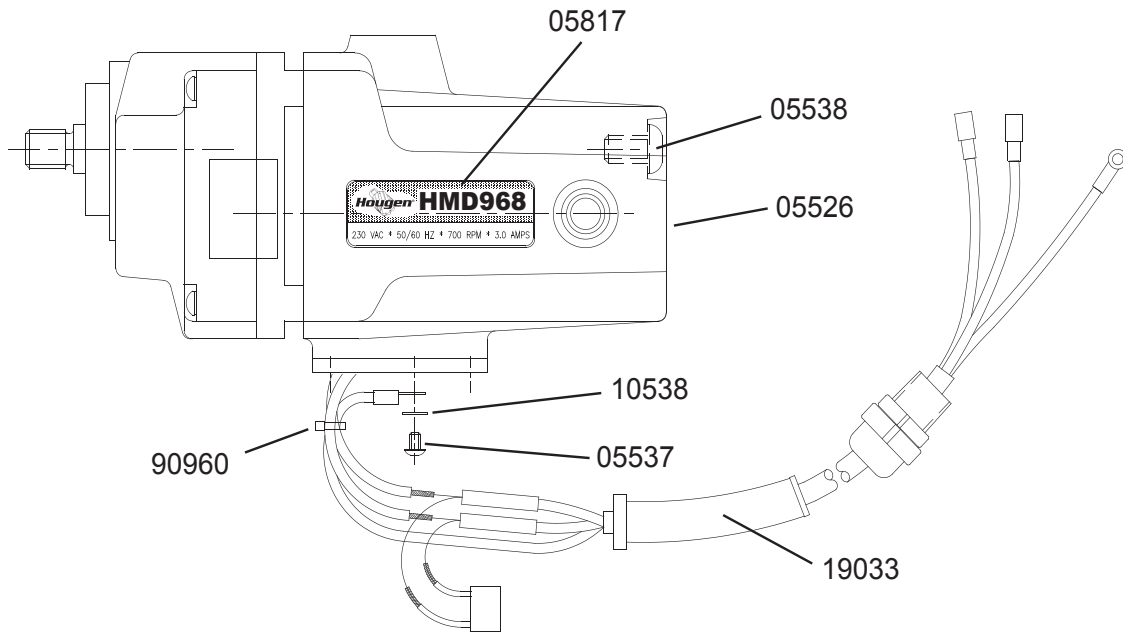
# OPERATOR'S MANUAL

covers 0968402 & 0968404



FOR USE WITH "12,000-SERIES" HOUGEN® CUTTERS

# MOTOR ASSEMBLY 05818

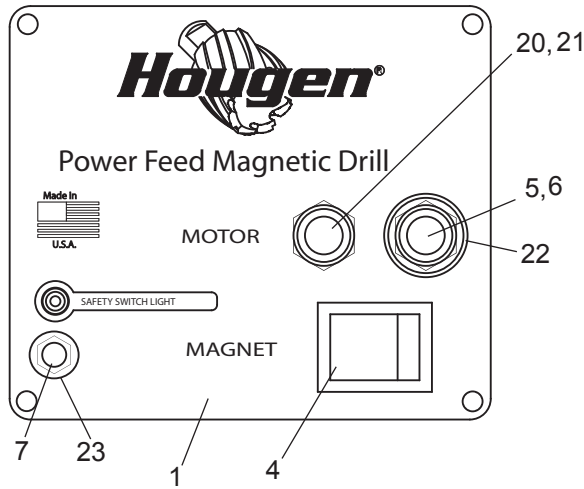


## MOTOR PARTS LIST

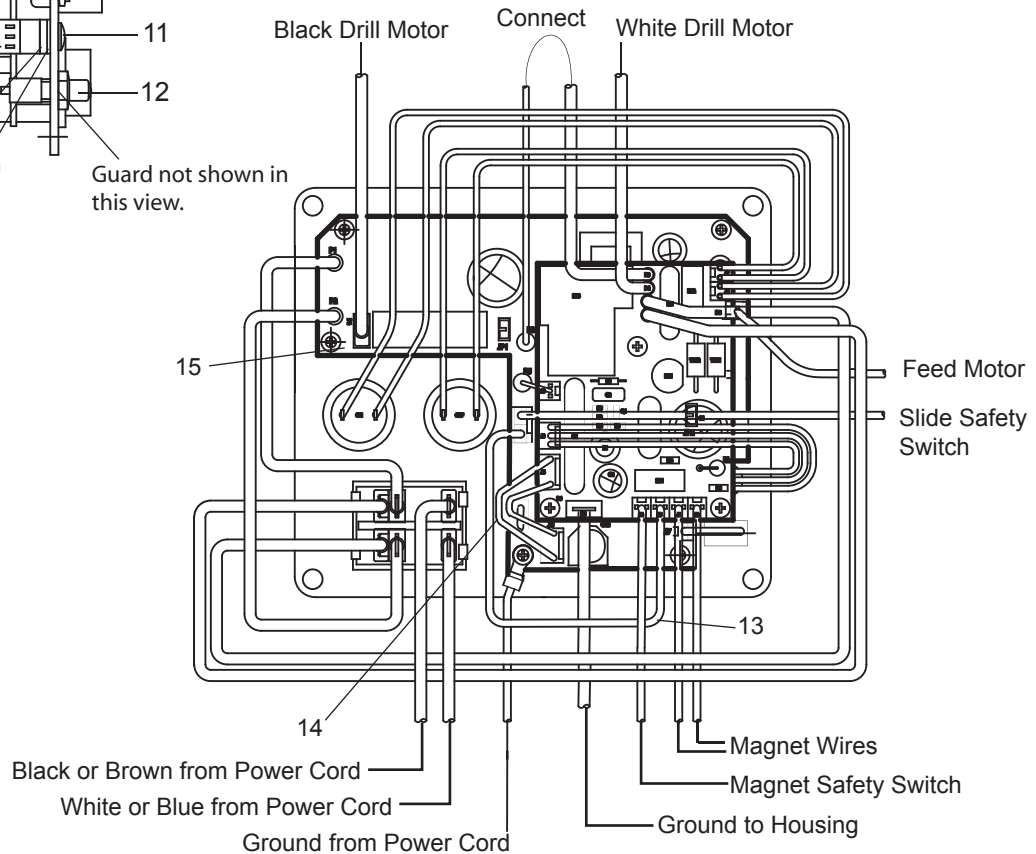
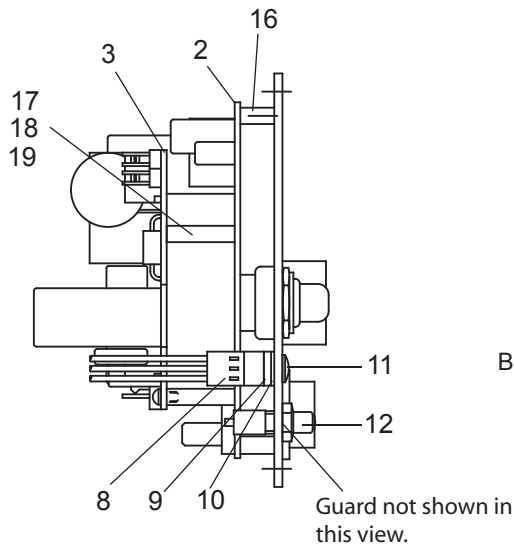
Part #	Description	Qty
90960	Cable Tie 4"	1
05538	Screw M10 x 1.5 X 16 mm	1
10538	Washer #8 Ext. Tooth	1
05537	Screw M4 x .7 x 6 mm	1
19033	Motor Cord Assy.	1
05817	Label, Motor HMD968	1
05526	Motor. 230 Volt	1

# CONTROL PANEL PARTS LIST

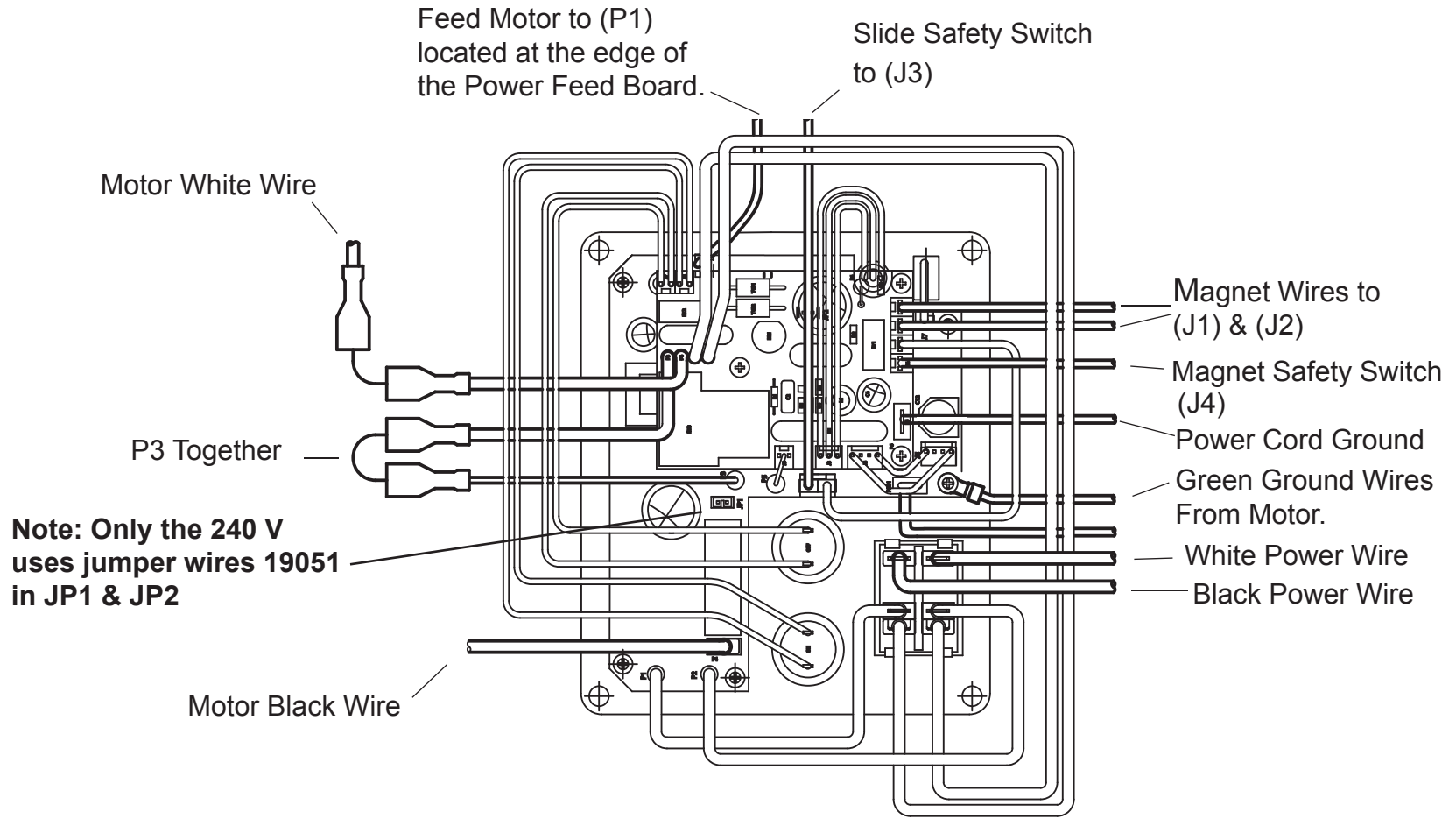
## Panel Assembly P/N: 19043

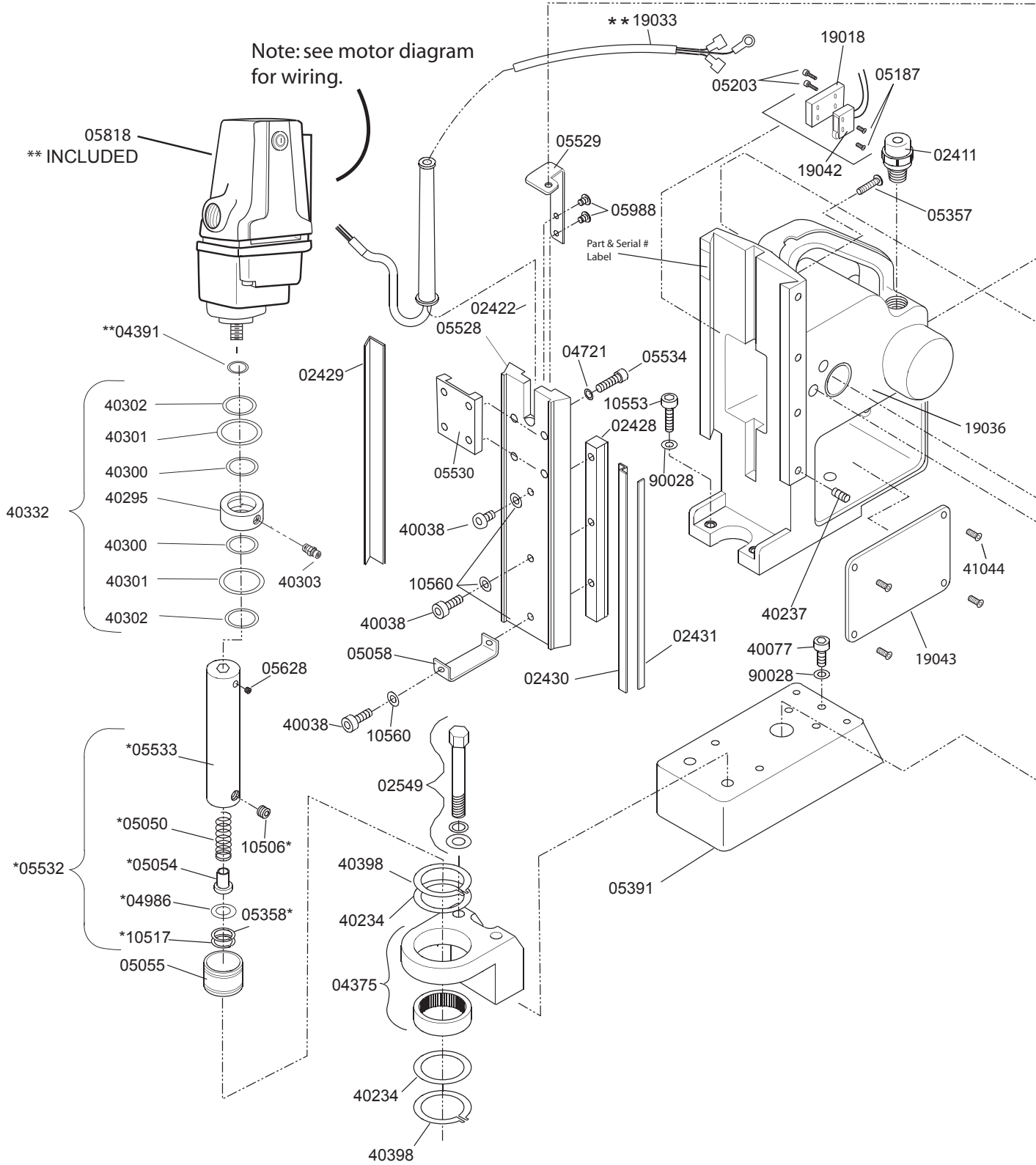


19043 230v Control Panel Assembly			
Item	Part #	Description	Qty
1	05831	Faceplate	1
2	05868	Power Feed Circuit Board	1
3	05827	Circuit Board	1
4	04664	Rocker Switch	1
5	01334	Motor ON Switch	1
6	02409	Green Switch Cover	1
7	05335	Mini Toggle Switch	1
8	04877	Wire Harness	1
9	04878	L.E.D Spacer	1
10	04881	L.E.D. Bulb	1
11	04879	L.E.D Lens	1
12	05336	Toggle Switch Boot	1
13	05331	Jumper Wire J5-J3	1
14	05332	Jumper Wire J6-J5	1
15	05355	Screw #4-40 X 1/4	5
16	04891	3/8 lg. Standoff	5
17	05832	Nylon Standoff	3
18	05320	Screw #4-40 x 1	3
19	05319	Nylon Nut	3
20	01335	Motor OFF Switch	1
21	01228	Red Switch Cover	1
22	01226	Switch Guard	1
23	07392	Toggle Switch Guard	1

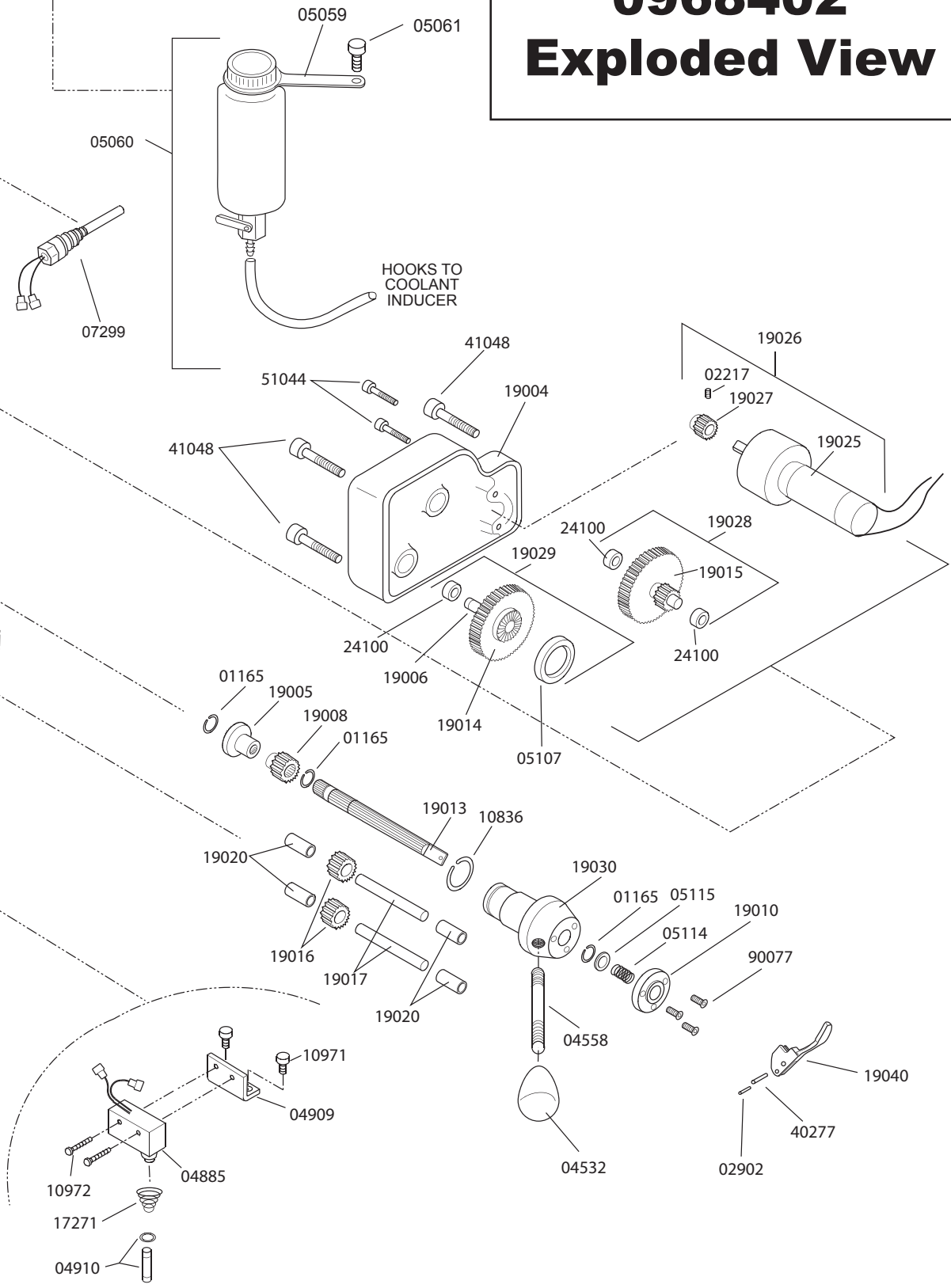


# CONTROL PANEL HOOKUP

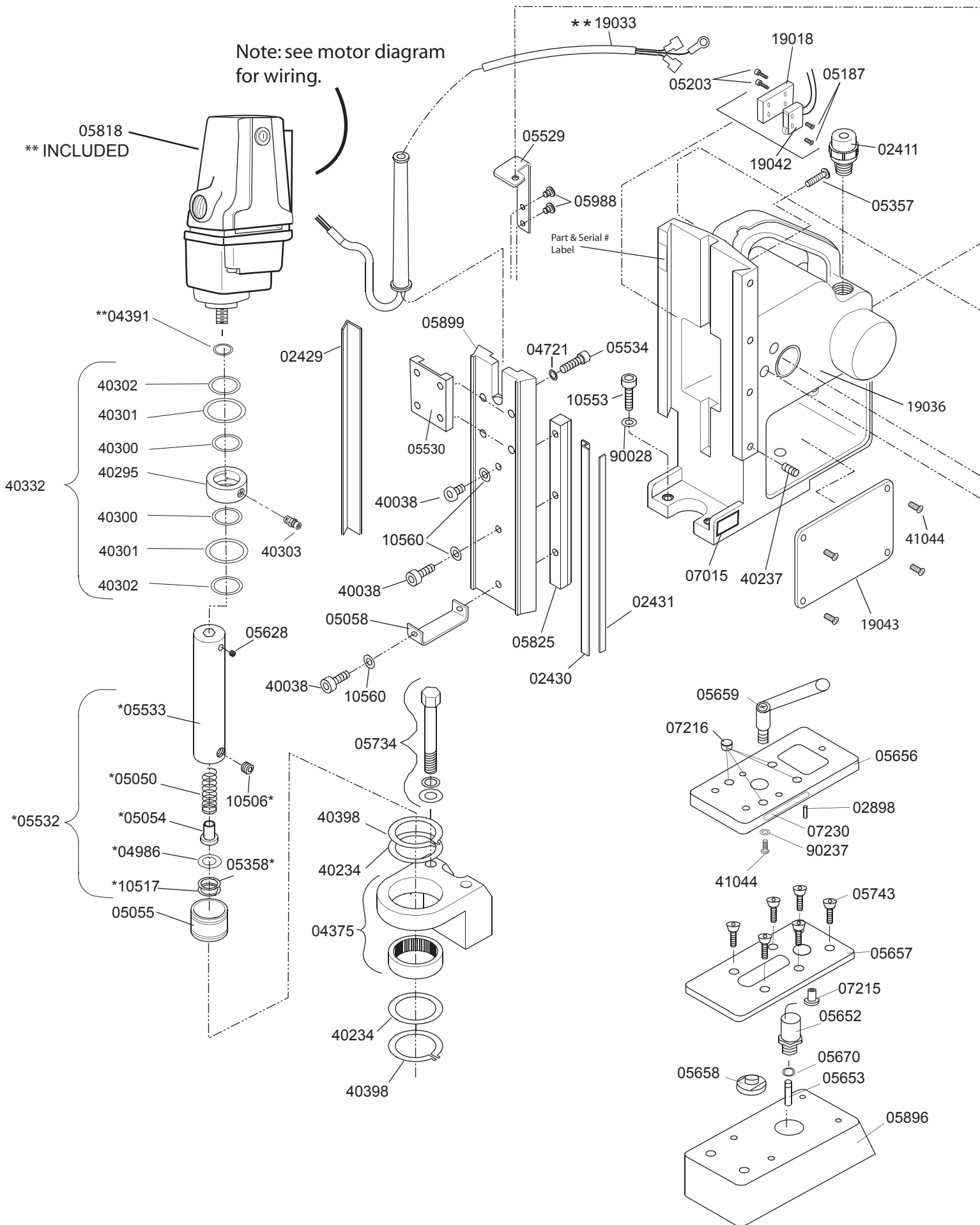




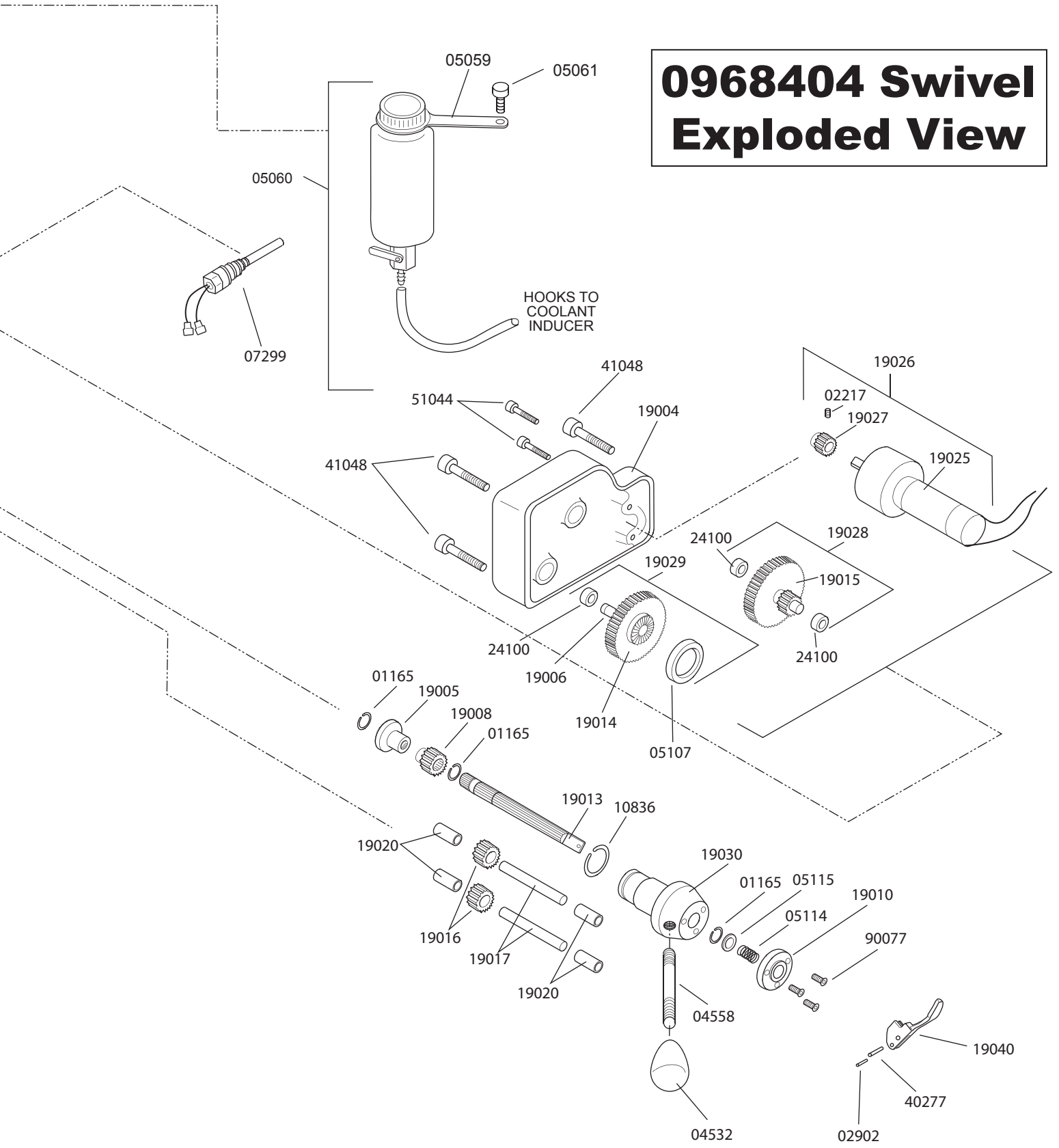
# 0968402 Exploded View



Note: see motor diagram for wiring.



# 0968404 Swivel Exploded View



# HMD968 PARTS LIST

Part #	Description	Qty	Part #	Description	Qty
01165	Retaining Ring	3	05534	SCR-SHC M5 x .8 x 25mm	4
02217	SCR-SOC #8-32	1	05628	Set Screw 1/4 - 28 x 3/8	2
02411	Strain Relief-Motor Cord	1	05652	Safety Switch Assembly	1
02423	Motor Cord Protector	1	05653	Plunger	1
02428	Rack Gear	1	05656	Swivel Plate	1
02429	Gib-Brass Right	1	05657	Slide Plate	1
02430	Gib-Brass Left	1	05658	Pivot Rod	1
02431	Gib-Steel	1	05659	Clamp Handle Assembly	1
02549	Bolt Assy	1	05670	Retaining Ring	1
02898	Dowel pin	1	05734	Front Support Bracket Assembly	1
02902	Roll Pin	1	05743	SCR-FHSC 1/4-20 x 3/4	1
04375	Front Support Bracket Assy	1	05818	Motor Assy	1
04391	O-Ring for Hex Spindle	1	05825	Rack Gear	1
04532	Knob	3	05896	Magnet Assembly	1
04558	Feed Handle	3	05899	Dove Tail Slide	1
04721	Split Washer	2	05967	Motor Slide Assembly	1
04885	Safety Switch	1	05988	SCR-FHSC #10-32 x 1/2	4
04909	Bracket- Safety Switch	1	07215	Bushing Flange	1
04910	Plunger	1	07216	Locking Hole Plug	4
04986	Rubber Washer	1	07230	Swivel Warning Label	1
05050	Spring	1	07299	Power Cord Assembly	1
05054	Spring Seat	1	10506	SCR-Set 3/8-24	2
05055	Collar	1	10517	Retaining Ring	2
05058	Bracket-coolant inducer	1	10538	Washer #8	1
05059	Holder For Coolant Bottle	1	10553	SCR-SHC 1/4-20	2
05060	Coolant Bottle	1	10560	Washer	6
05061	Knob	1	10836	Retaining Ring	1
05107	Bearing	1	10971	SCR-SHC 1/4-20	2
05114	Spring	1	10972	SCR-BHC #6-32	2
05115	Washer	1	11053	Screw BHS #8-32	1
05185	Dowel Pin	1	17271	Spring	1
05187	Screw SHCS #2-56	2	19004	Gear Box Cap	1
05203	SCR-SHC #8-32	2	19005	Drive Clutch	1
05357	1/4 - 28 X 7/8 Set Screw	1	19006	Shaft Drive Clutch	1
05358	Washer Shim	1	19008	Gear	1
05391	Magnet	1	19010	Hub Plate	1
05528	Slide	1	19013	Spline Shaft	1
05529	Coolant Bottle Bracket	1	19014	Gear	1
05530	Spacer	1	19015	Gear & Shaft	1
05532	Arbor Assembly	1	19016	Gear	2
05533	Arbor Body	1			

## HMD968 PARTS LIST CONT.

Part #	Description	Qty	Control Panel Assy.		
19017	Shaft	2	<b>Part #</b>	<b>Description</b>	<b>Qty</b>
19018	Switch	1	01226	Switch Guard	1
19020	Spacer	4	04643	RED Switch Cover	1
19025	Feed Motor	1	04644	GREEN Switch Cover	1
19026	Feed Motor Assy	1	04664	Rocker Switch	1
19027	Gear	1	04877	Wire Harness	1
19028	Gear Assy #1	1	04878	LED Spacer	1
19029	Gear & Clutch Assy	1	04879	LED Lens	1
19030	Feed Hub	1	04881	LED Bulb	1
19033	Motor Cord	1	04891	Standoff	5
19036	Housing	1	05207	Jumper Ground Wire	1
19040	Handle	1	05319	Plastic Nut #4-40 x 1/4	3
19042	Switch	1	05320	Screw #4-40 x 1	3
19043	Control Panel	1	05331	Two-Wire Jumper	1
24100	Bearing	3	05332	Two-Wire Jumper	1
40038	SCR-SHC #10-32	3	05335	Mini Boot Toggle Switch	1
40234	Thrust Washer	2	05336	Toggle Switch Boot	1
40237	SCR-SS 1/4-28	4	05355	Screws #4-40 x 1/4	5
40277	Roll Pin	1	05827	Circuit Board	1
40295	Inducer	1	05831	Faceplate	1
40300	O-Ring	2	05832	Standoff Nylon	3
40301	Washer	2	05871	Motor ON Switch	1
40302	Retaining Ring	2	05872	Motor OFF Switch	1
40303	Tube Fitting	1			
40332	Inducer Assy	1			
40398	Retaining Ring	2			
41044	SCR-BHC #10-32	6			
41048	SCR-SHC #10-32	4			
50035	Lock Washer	1			
51044	SCR-SHC #10-32	2			
75156	SCR-SHC 6mm	1			
90064	SCR-BHC 1/4-28	1			
90077	SCR-BHC #10-32	4			