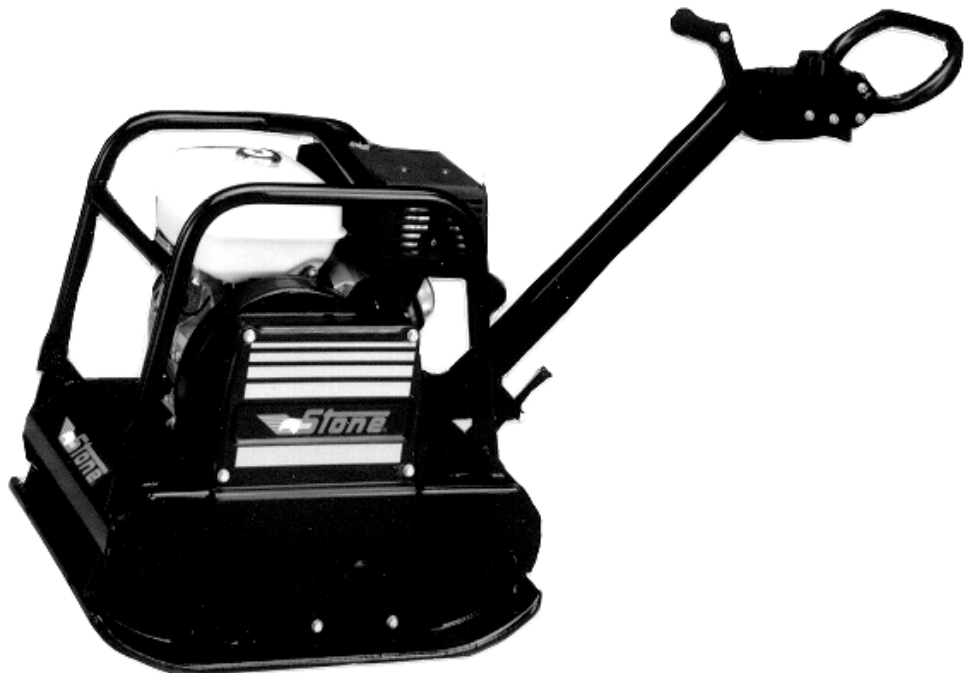




OPERATOR/SERVICE MANUAL

MODELS: RP650G, RP650D



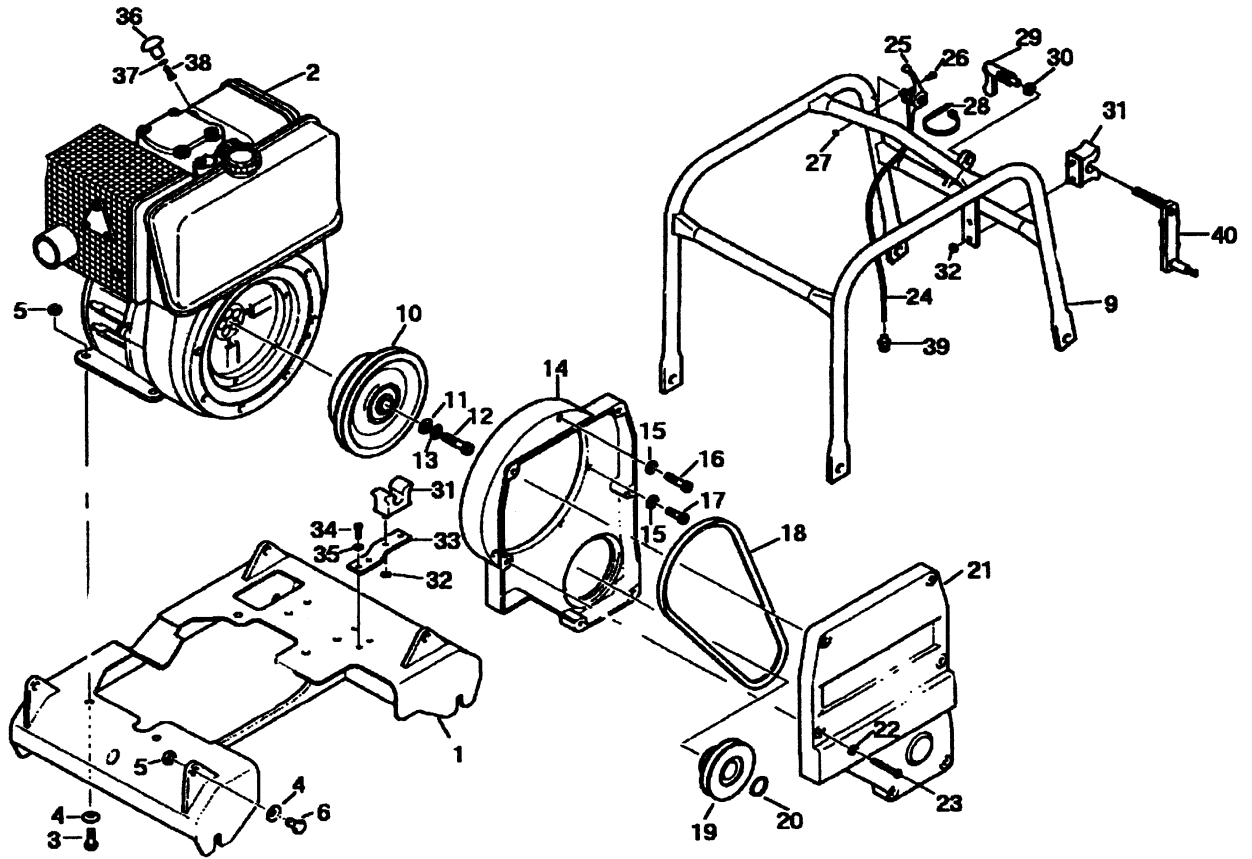
REVERSIBLE PLATE

Stone Construction Equipment, Inc.
P.O. Box 150, Honeoye, New York 14471
Phone: (800) 888-9926
Fax: (716) 229-2363

A 100% employee-owned American manufacturer

©1992 STONE CONSTRUCTION EQUIPMENT, INC.
Printed in U.S.A.

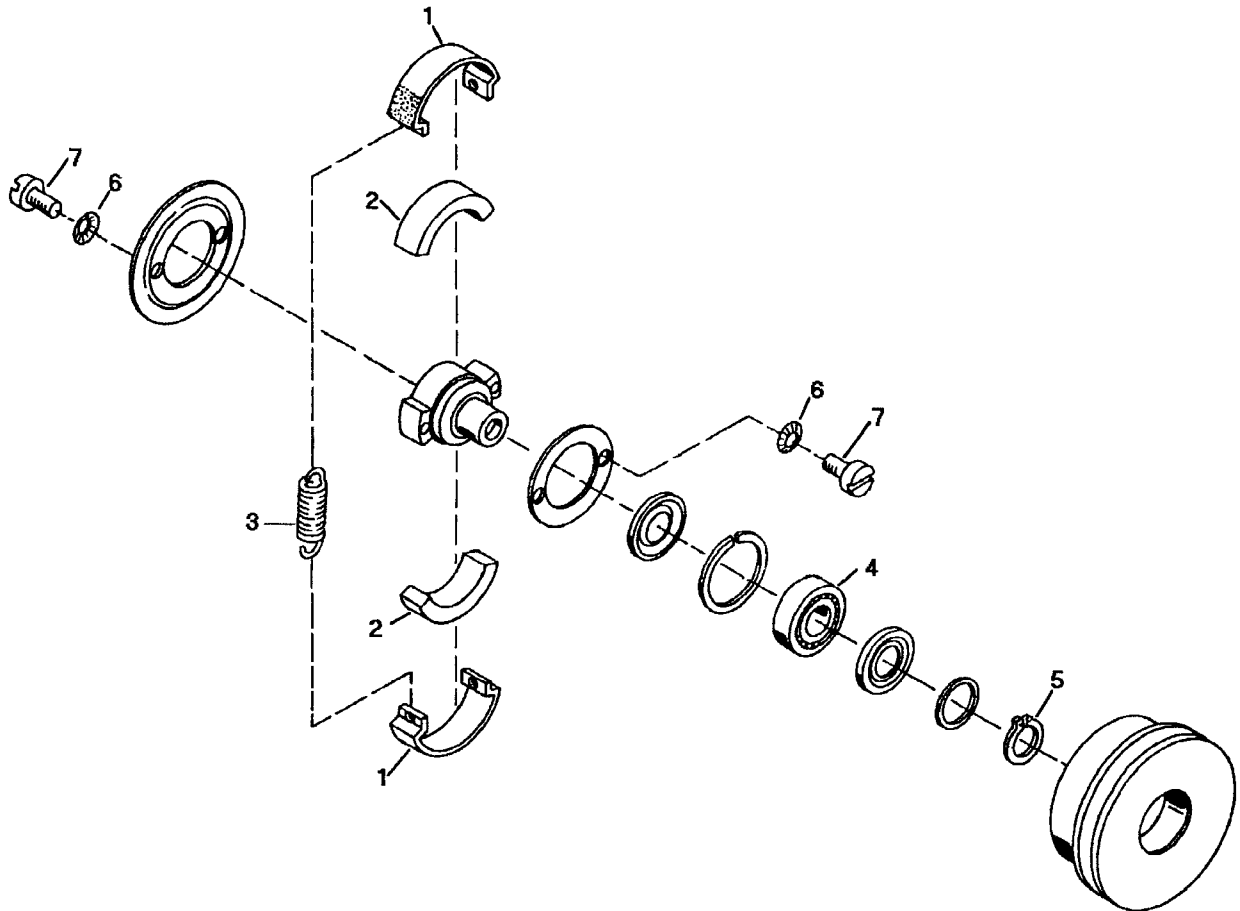
HATZ UPPER FRAME



HATZ UPPER FRAME

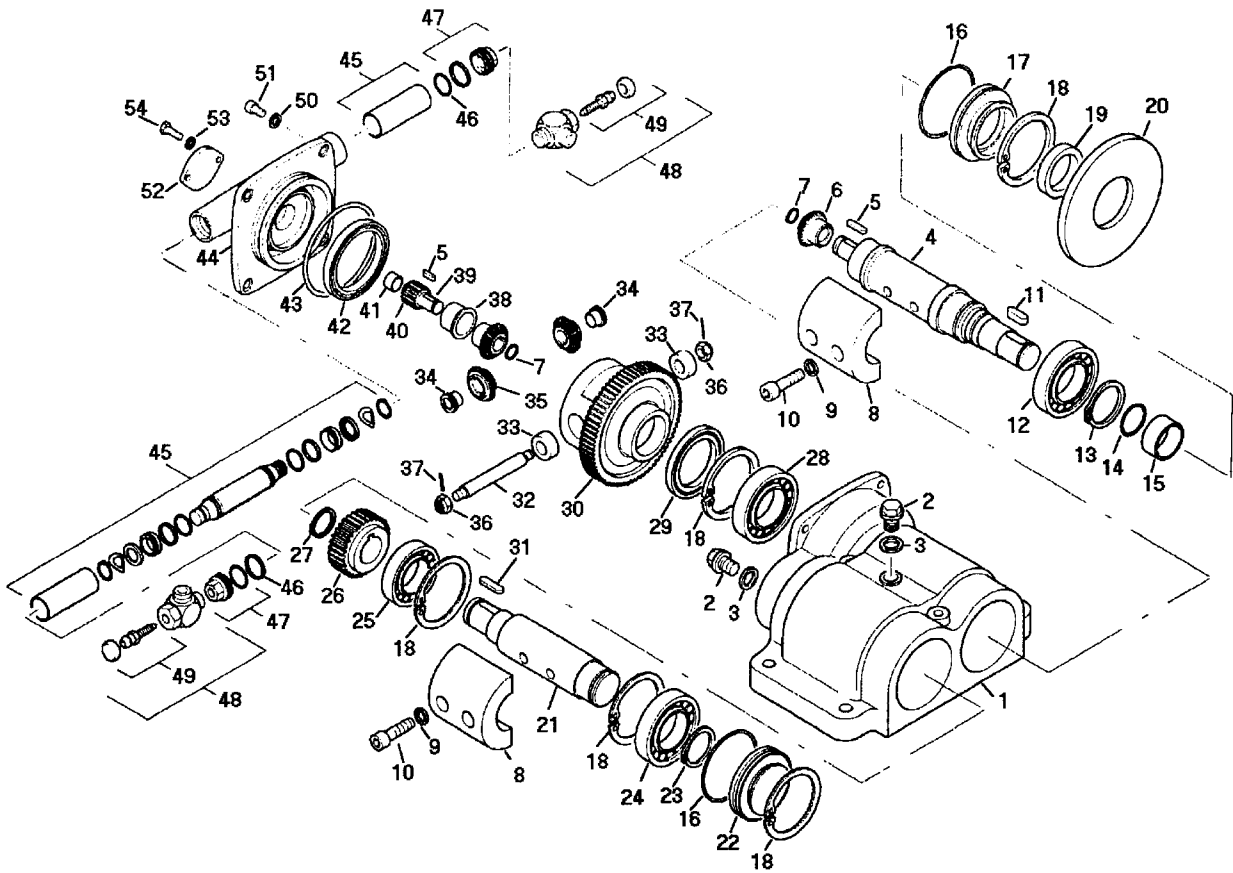
ITEM	PART NO.	DESCRIPTION	QTY
1	61538	MOTOR DECK	1
2	30303	ENGINE HATZ	1
3	61539	HHCS M12 X 30	4
4	60189	WSHR M12	8
5	60464	NUT M12	8
6	61540	HHCS M12 X 35	4
9	61541	ROLL CAGE	1
10	61542	SHEAVE	1
11	61543	DISTANCE WSHR	1
12	61544	SHCS M12 X 40	1
13	60321	WHSR M12	1
14	51545	INNER BELT GUARD	1
15	60324	WSHRL SERRATED	4
16	61546	SHCS M12 X 40	2
17	61547	SHCS M10 X 35	2
18	60307	V-BELT	1
19	61548	SHEAVE	1
20	60555	RETAINING CLIP	1
21	61549	BELT GUARD	1
22	61086	WSHR	6
23	61550	HHCS M6 X 26	6
24	61551	THROTTLE CABLE	1
25	61176	CONTROL LEVER	1
26	61552	HHCS M5 X 25	1
27	61553	NUT M5	1
28	60499	TIE WRAP	1
29	61554	LOCKING BOLT	1
30	60975	NUT M20 X 1.5	1
31	60889	CLAMP	2
32	60752	NUT M6	4
33	61555	BRACKET	1
34	60947	HHCS M6 X 16	2
35	61556	WSHR	2
36	61557	STOP BUTTON	1
37	60402	WSHR	1
38	61558	HHCS M6 X 10	1
39	61559	CABLE FITTING	1
40	61698	STARTER CRANK	1

HATZ CLUTCH ASSEMBLY



ITEM	PART NO.	DESCRIPTION	QTY
1	68094	SHOE FRICTION	2
2	61601	CENTRIFUGAL WEIGHT	2
3	60895	SPRING	4
4	61602	BEARING	1
5	60185	SNAP RING	1
6	60402	WSHR	8
7	61603	SLOTTED SCREW	8

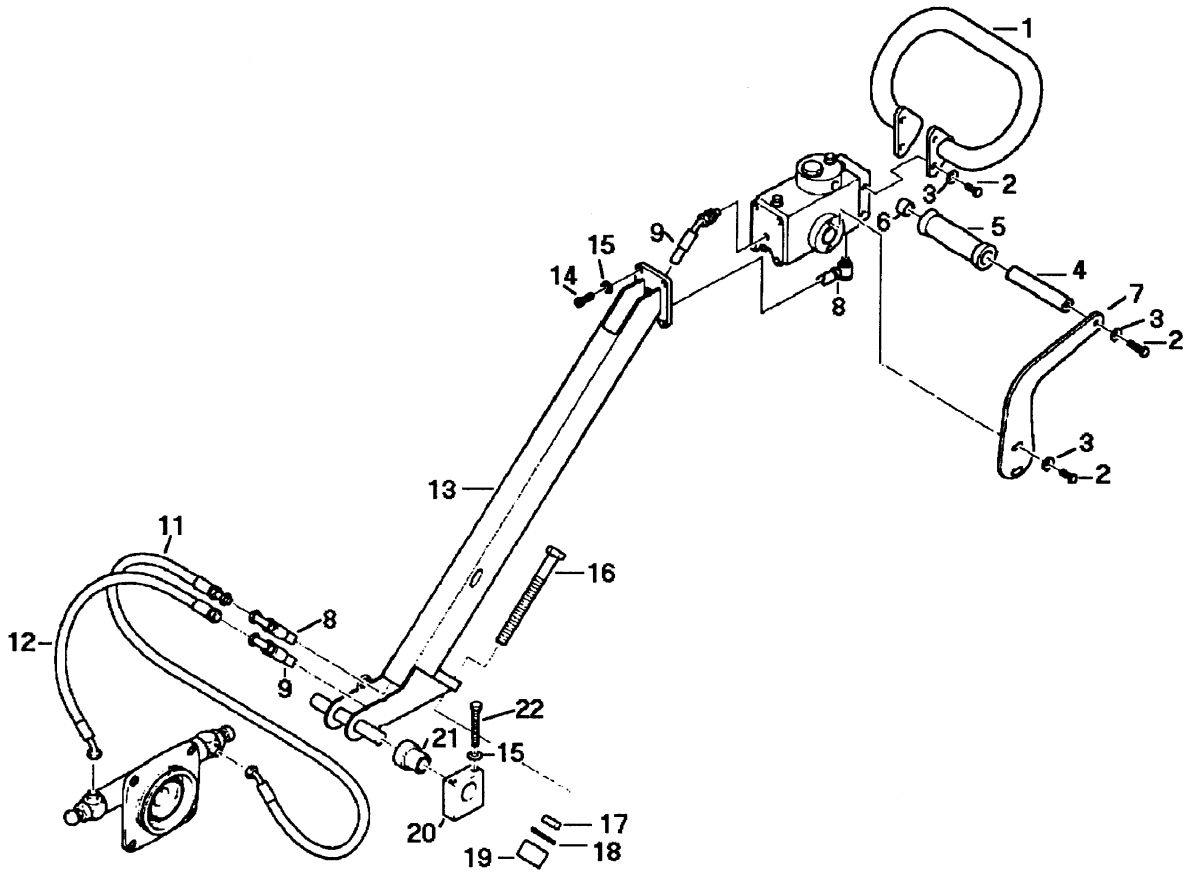
ECCENTRIC ASSEMBLY



ECCENTRIC ASSEMBLY

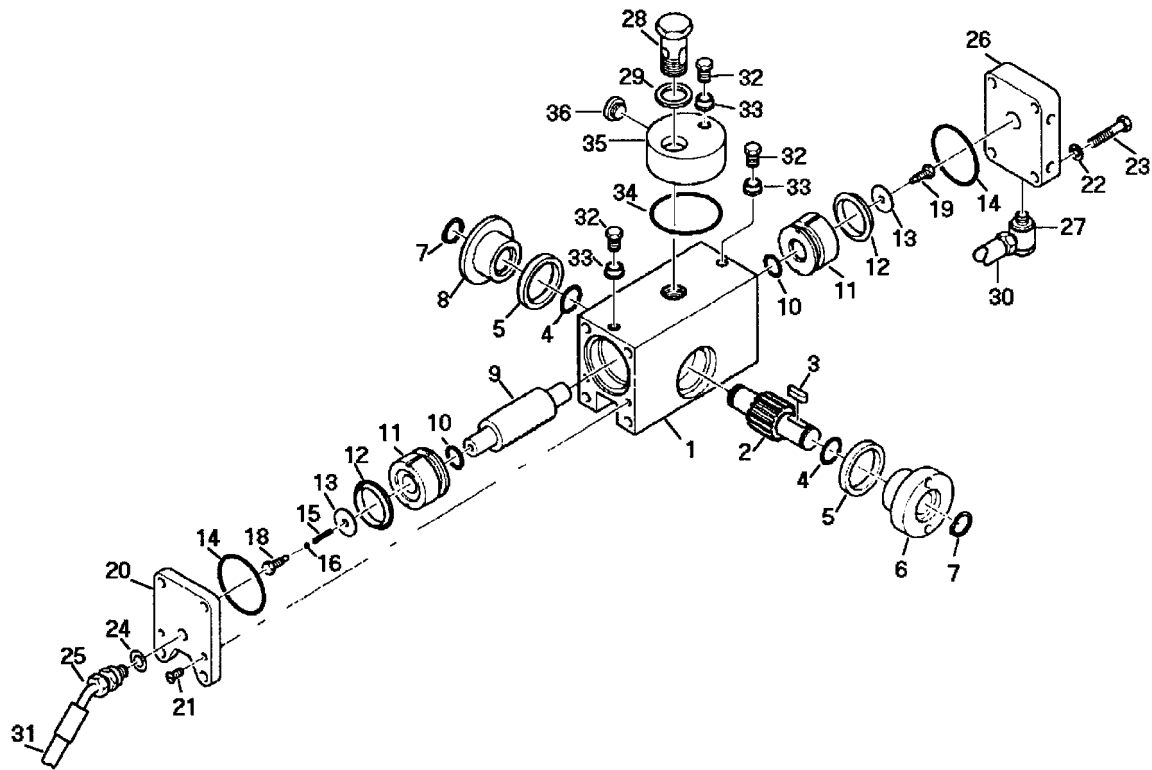
ITEM	PART NO.	DESCRIPTION	QTY
1	61654	ECCENTRIC HOUSING	1
2	61563	HHCS M14 X 1.5	2
3	60146	COPPER GASKET	2
4	61565	ECCENTRIC SHAFT VARIABLE	1
5	61424	KEY	2
6	61418	GEAR	1
7	60867	RETAINING CLIP	2
8	61566	ECCENTRIC WEIGHT	2
9	60321	WSHRL SERRATED	4
10	61323	SHCS M12 X 30	4
11	61567	KEY	1
12	61568	BEARING	1
13	61569	RETAINING CLIP	1
14	61510	O-RING	2
15	61571	SPACER	1
16	61572	O-RING	2
17	61573	SEAL	1
18	61574	RETAINING CLIP	5
19	61575	SPACER	1
20	61576	URETHANE GUARD	1
21	61577	ECCENTRIC SHAFT	1
22	61578	END CAP	1
23	61579	RETAINING RING	1
24	61580	BEARING	1
25	61581	BEARING	1
26	61582	GEAR	1
27	60555	SNAP RING	1
28	61583	BEARING	1
29	61584	BEARING	1
30	61585	GEAR	1
31	61373	KEY	1
32	61420	ROD	4
33	61393	CENTER RING	2
34	61392	BEARING	2
35	61423	GEAR	2
36	61391	HEXSLOTTED NUT M12 X 1	2
37	61422	COTTER PIN	2
38	61588	GEAR	1
39	61589	BUSHING	1
40	61590	PINION	1
42	61591	BEARING	1
43	61592	O-RING	1
44	61593	ECCENTRIC HOUSING SHAFT	1
45	61594	PHASE RACK ASSY	1
46	61595	RETAINING CLIP	2
47	61596	HYDRAULIC FITTING W/O-RING	2
48	61597	BANJO FITTING	2
49	61598	BANJO BOLT SERRATED	2
50	60324	WSHRL SERRATED	4
51	60774	SHCS M10 X 25	4
52	61599	COVER HOUSING	1
53	61556	WSHRL SERRATED	2
54	61600	HHCS M6 X 18	2

HANDLE ASSEMBLY



ITEM	PART NO.	DESCRIPTION	QTY
1	61604	DRIVE ACTUATOR LEVER	1
2	61605	HHCS M8 X 20	7
3	61086	WSHR	7
4	61606	F/R HANDLE	1
5	61607	F/R HANDLE FOAM	1
6	61608	PLUG	1
7	61609	F/R LEVER	1
8	61643	BANJO FITTING	1
9	61611	HYDRAULIC FITTING	1
11	61612	HYDRAULIC HOSE	1
12	61613	HYDRAULIC HOSE	1
13	61614	MAIN HANDLE	1
14	61742	SHCS M8 X 40	4
15	60438	WSHRL	8
16	61615	HANDLE ADJUSTMENT BOLT	1
17	61616	LOCKNUT	1
18	60879	WSHR	1
19	61617	BUMPER	1
20	61618	BUSHING	2
21	61619	HANDLE SUPPORT	2
22	61620	HHCS M8 X 90	4

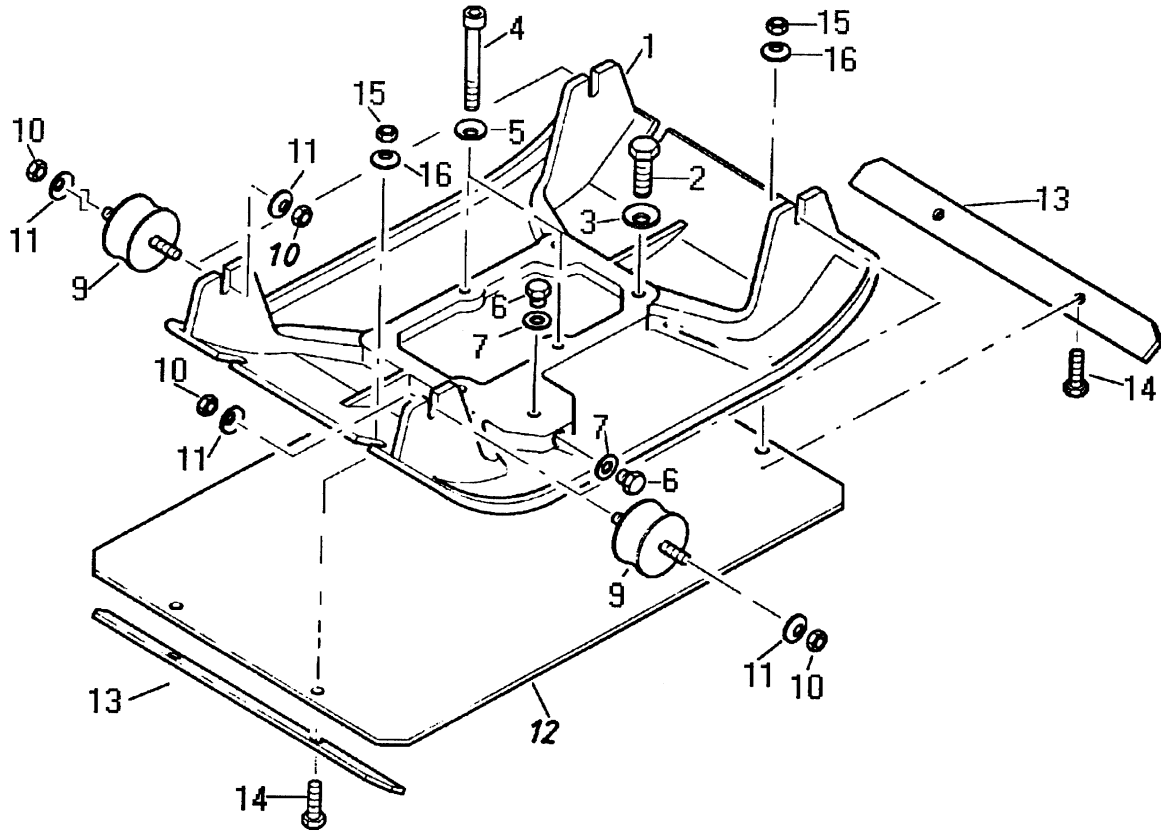
CONTROL ASSEMBLY



CONTROL ASSEMBLY

ITEM	PART NO.	DESCRIPTION	QTY
1	61621	SHIFT HOUSING HANDLE	1
2	61622	PINION	1
3	60880	KEY	1
4	60824	O-RING	2
5	61623	SEAL	2
6	61624	BUSHING	1
7	60428	RETAINING CLIP	2
8	61625	BUSHING STEEL	1
9	61626	RACK	1
10	61627	O-RING	2
11	61628	PISTON	2
12	61629	V-SEAL	2
13	61630	FENDER WSHR	2
14	61631	O-RING	2
15	61632	SPRING	1
16	61633	CHECK BALL	1
18	61634	ORIFICE	1
19	61635	HHCS M6 X 12	1
20	61636	END CAP	1
21	61637	FHSCS M6 X 16	2
22	60438	WSHRL SERRATED	4
23	61638	HHCS M8 X 40	4
24	60146	COPPER GASKET	1
25	61639	FITTING	1
26	61640	END CAP F/R	1
27	61641	BANJO FITTING	1
28	61646	HOLLOW NUT	1
29	61642	WSHR	1
30	61643	BANJO BOLT	1
31	61611	HYDAULIC HOSE	1
32	61644	FILL PLUG	3
33	61645	WSHR	3
34	60138	O-RING	1
35	61647	RESERVOIR	1
36	61648	SIGHT PLUG	1

BASE PLATE ASSEMBLY



ITEM	PART NO.	DESCRIPTION	QTY
1	61610	BASE PLATE	1
2	61561	HHCS M16 X 50	4
3	60507	WSHRL SERRATED	4
4	61562	HHCS M12 X 120	2
5	60321	WSHR V12	2
6	61563	HHCS M14 X 1.5	2
7	60146	COPPER GASKET	2
9	60893	BUMPER	4
10	60464	NUT M12	16
11	60189	WSHR	16
12	61706	KIT PAVEMENT MAT (OPTIONAL) INCLUDES ITEM 11 (8), ITEM 12 (8) ITEM 13 (2) AND ITEM 14 (8)	
13	61795	PLATE GUARD	2
14	61796	HHCS M12 X 45	8