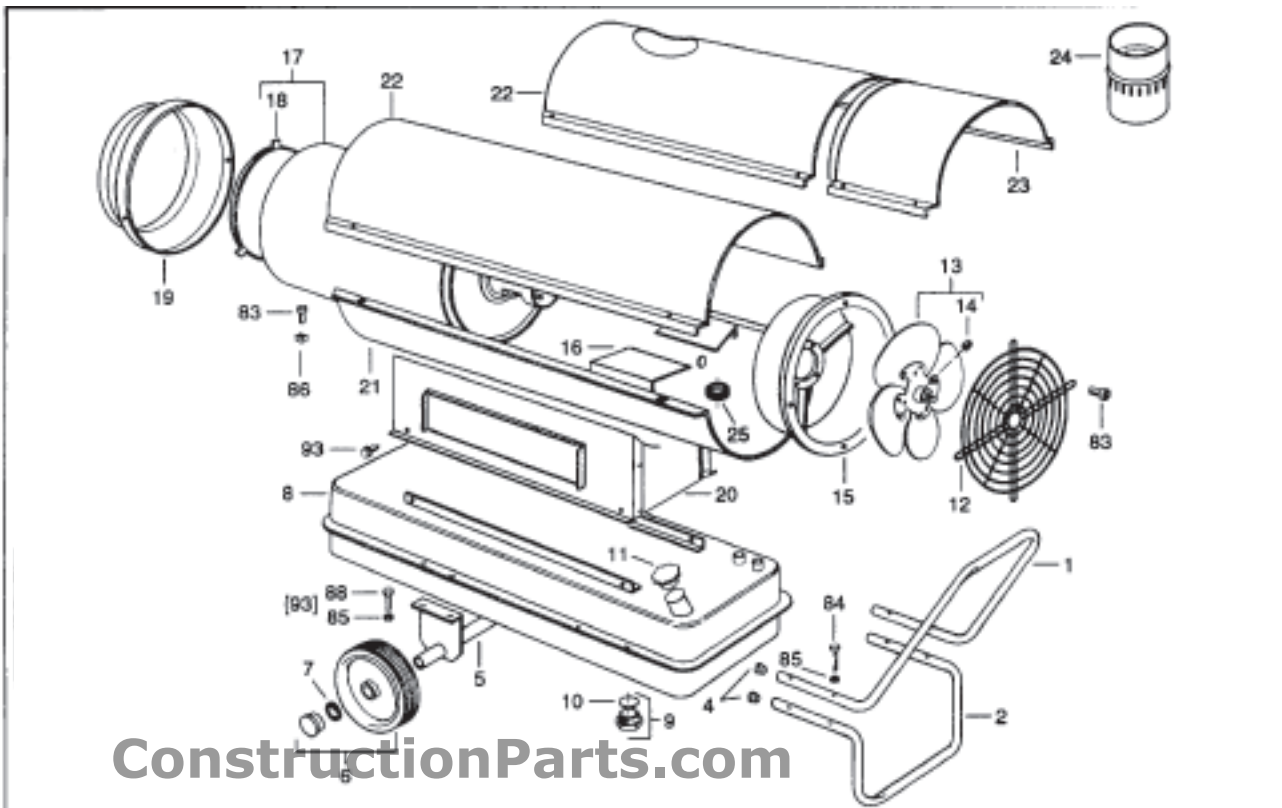


Parts Identification

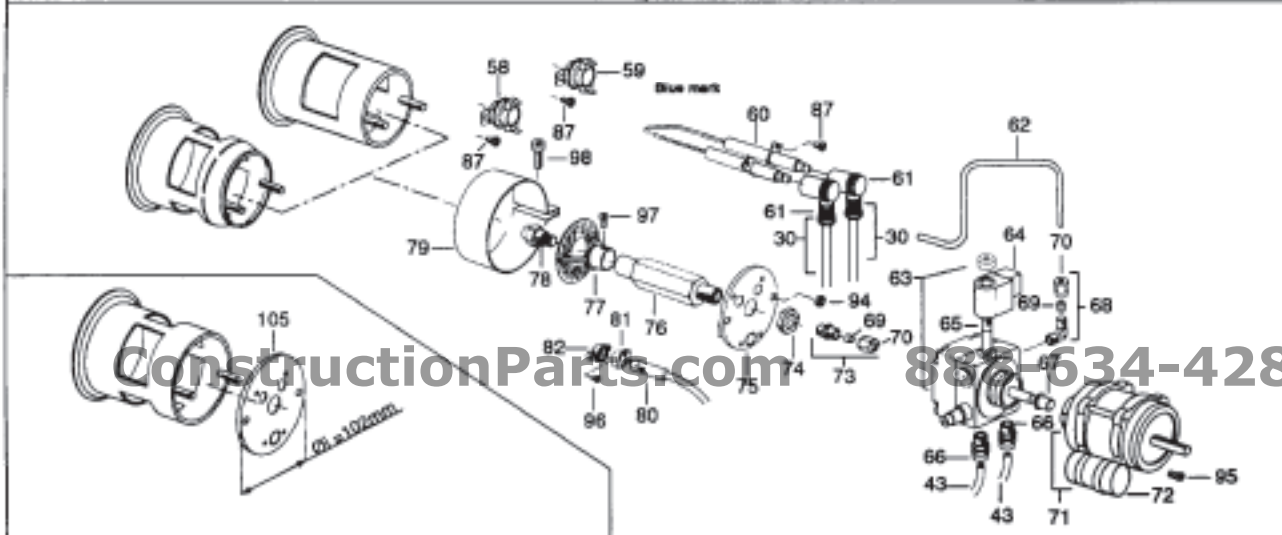
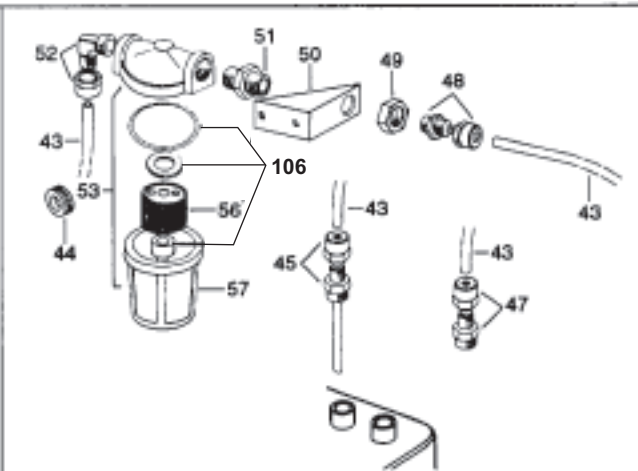
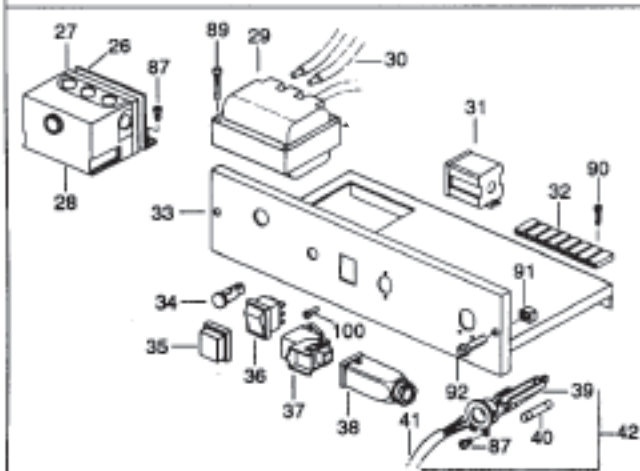
ConstructionParts.com

888-634-4289

PARTS SCHEMATIC



ConstructionParts.com



ConstructionParts.com

888-634-4289

Item	Description	Part Number	
		Director 100	Director 300
1	Handle	24712	24290
2	Leg, Support Frame	24713	24291
3	Plug		24292
5	Axle	24714	24293
6	Wheel	24602	24294
7	Wheel Holder	24603	24295
8	Fuel Tank	24604	24296
9	Drain Plug w/ Seal		24251
10	Drain Plug Seal		24298
11	Fuel Cap		24252
12	Fan Guard	24606	24300
13	Fan	24607	24253
14	Set Screw		24302
15	Motor Flange	24715	24303
16	Air Flap	24716	24304
17	Combustion Chamber	24718	24305
19	Outlet Cone	24719	24306
20	Base	24720	24307
21	Lower Shell	24721	24308
22	Upper Shell, Exhaust End	24722	24309
23	Upper Shell, Fan End	24723	24310
24	Chimney, Ø 150MM		24311
25	Bushing, Ø 35MM		23412
26	Bracket, Control Box		23413
27	Base, Control Box		24255
28	Control Box		24254
29	Transformer		24256
30	Ignition Cable		24257
31	Relay Finder		24258
32	Terminal Strip		24314
33	Electrical Components Drawer		24315
34	Pilot Lamp		24259
35	Switch		24260
36	Switch		24261
37	Thermostat Receptacle		25514
38	Receptable Cover		25515
39	Wire/Fuse Holder		24318
40	Fuse , 20 amp		24263
	Fuse, 10 amp	24608	
41	Power Cord		24319
42	Power Cord w/ Holder		24320
43	Fuel Line, Ø 6mm		24321
44	Bushing		24322
45	Hose, Compression Fitting, 1/4" Mx6		24323
47	Transition Fitting, 1/4" Mx6		24324
48	Transition Fitting, 1/8" Mx6		24325
49	Hose Nut, 3/8"x5		24326
50	Filter Support		24327
51	Male Pipe Fitting		24328
52	Transition Fitting, 90°, 3/8" Mx6	24609	24329
53	Oil Filter, Complete w/ Housing		24264

* Bold Item Numbers Indicate Immediate Parts Availability.

PARTS LIST (cont.)**ConstructionParts.com****888-634-4289****Part Number**

Item	Description	Director 100	Director 300
56	Oil Filter		24265
57	Filter Housing		24266
58	Fan Switch, Thermostat	24724	24267
59	Limit Switch		24268
60	Electrode		24269
61	Ignition Boot		24332
62	Oil Supply Line, Ø 4mm	24610	24333
63	Pump	24725	24270
64	Solenoid Spool, BFP 11/21		24271
65	Solenoid Valve		24272
66	Straight Fitting, 1/4" Mx6		24273
67	Coupling	24629	24274
68	Transition Fitting, 90°, 1/8" Mx4		24275
69	Sleeve, Compression, 4mm		24276
70	Nut, Compression, 4mm		24277
71	Motor, with Capacitor	24630	24278
72	Capacitor	24631	24334
73	Straight Fitting, 1/8" Mx6		24632
74	Nut, M14		24336
75	Burner Flange	24727	24337
76	Orifice Holder		24338
77	Turbo Disc		24339
78	Orifice	24633	24279
79	Air Adjustment Ring	24634	24340
80	Photocell		24280
81	Clamp		24281
82	Flange, Photocell		24341
83	Screw, M5x16		24342
84	Screw, M6x55		24343
85	Nut, M6		24344
86	Nut, M5		24345
87	Screw, 8x3/8"		24346
88	Screw, M6x16		24347
89	Screw, 8x1 1/2"		24348
90	Screw, 4x1/2"		24349
91	Nut, M6		24350
92	Screw, M6x20		24351
93	Screw, 14x1/2"		24352
94	Nut, M5		24353
95	Screw, M5x35	24726	24354
96	Screw, 6x12"		24355
97	Screw, M4x8		24356
98	Screw, M6x25		24357
100	Screw, 4x3/8"		24358
105	Burner Flange, Ø 102mm		24360
106	Oil Filter Seals		24282

ConstructionParts.com**888-634-4289**