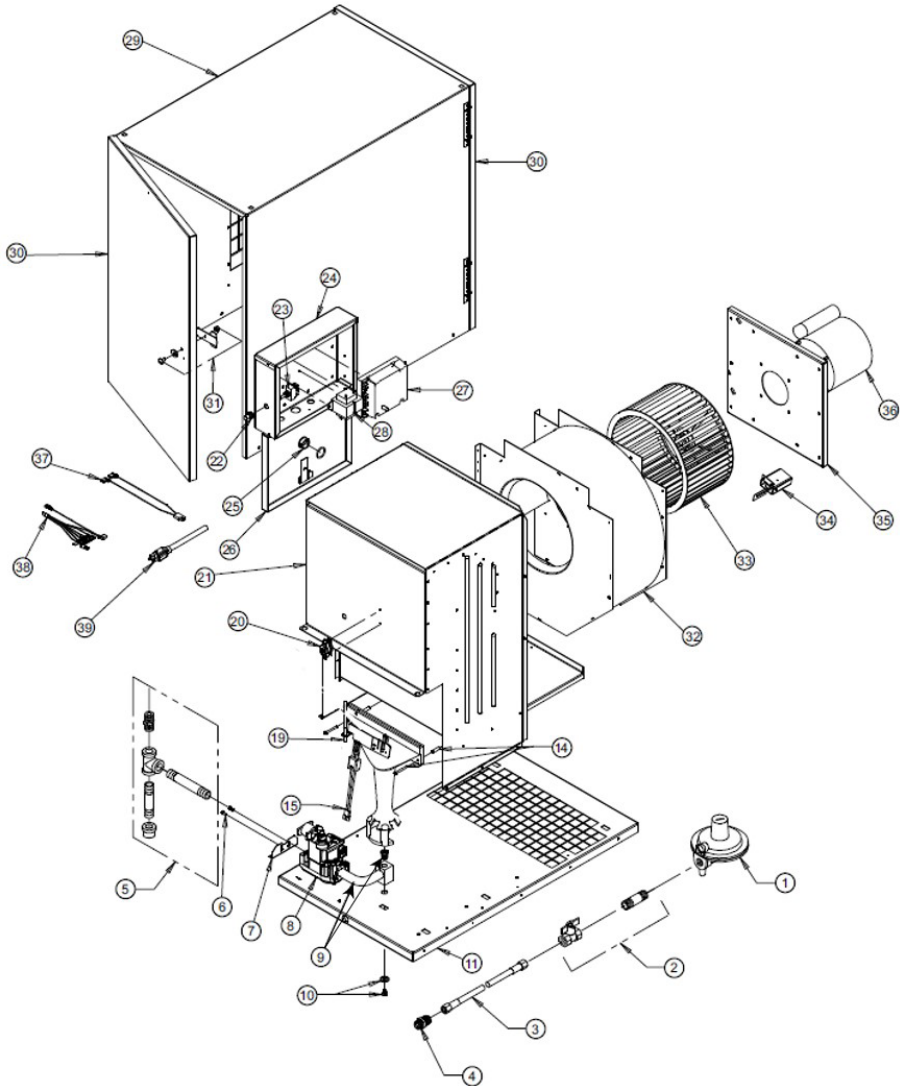


Therma Grow 120 Models

Service Parts Identification Schematic



| Item | Description | Standard | Plus |
|------|--|-----------|-----------|
| 1 | Regulator, LP Gas, 2nd Stage, Vent Over Outlet | 550-06553 | |
| | Regulator, LP Gas, 2nd Stage, Vent Over Side | 550-06665 | |
| | Regulator, Natural Gas (5 PSIG Inlet, 13.5 Outlet) | 550-21414 | |
| 2 | Valve, Manual Shut Off with Nipple | | 500-03399 |

| Item | Description | Standard | Plus | |
|------|---|-------------|--------|--------|
| 3 | Hose, 1/2 in. x 10 ft., Rigid by Swivel | 550-20714 | | |
| 4 | Adapter, Hose, 1/2 NPT x 1/2 NPS | 500-25873 | | |
| 5 | Kit, Sediment Trap | 500-00815 | | |
| 6 | Screws, (2) | 572502 | | |
| 7 | Bracket with Screws | 570141 | | |
| 8 | Valve, Gas Control | LP Gas | 572471 | 572576 |
| | | Natural Gas | 570667 | 570526 |
| 9 | Manifold with Orifice | LP Gas | 573543 | |
| | | Natural Gas | 573544 | |
| 10 | Washer and Bolt | 500-25866 | | |
| 11 | Base | 572464 | | |
| 14 | Burner w/ Mounting Hardware | 570211 | | |
| 15 | Igniter, Hot Surface | 573659 | | |
| 19 | Flame Sensor | 520139 | | |
| 20 | High Limit Switch | 573099 | | |
| 21 | Heat Chamber | 572466 | | |
| 22 | Boot, Selector Switch | N/A | 571939 | |
| 23 | Selector Switch w/ Boot | N/A | 571906 | |
| 24 | Control Box w/ Cover | 572485 | 572487 | |
| 25 | Window w/ O-Ring | 570002 | | |
| 26 | Cover, Control Box | 572483 | 572484 | |
| 27 | Ignition Control | 509298 | | |
| 28 | Transformer | 500-26412 | | |
| 29 | Case Assembly w/ Labels | 572473 | 572584 | |
| 30 | Door, Motor or Burner End | 5750874 | 570432 | |
| 31 | Latch Kit | 570228 | | |
| 32 | Fan Housing with Motor Mount and Air Proving Switch | 572462 | | |
| 33 | Fan Wheel | 570481 | | |
| 34 | Air Proving Switch | 500-09925 | | |
| 35 | Mount, Motor | 572461 | | |
| 36 | Motor | 520169 | | |
| 37 | Wire Harness, Red, Hot Surface Ignitor | 572503 | | |
| 38 | Wire Harness, White | 572472 | | |
| 39 | Power Cord | 520133 | | |