



OPERATOR/SERVICE MANUAL

MODELS: WOLFPAC® DDR3100



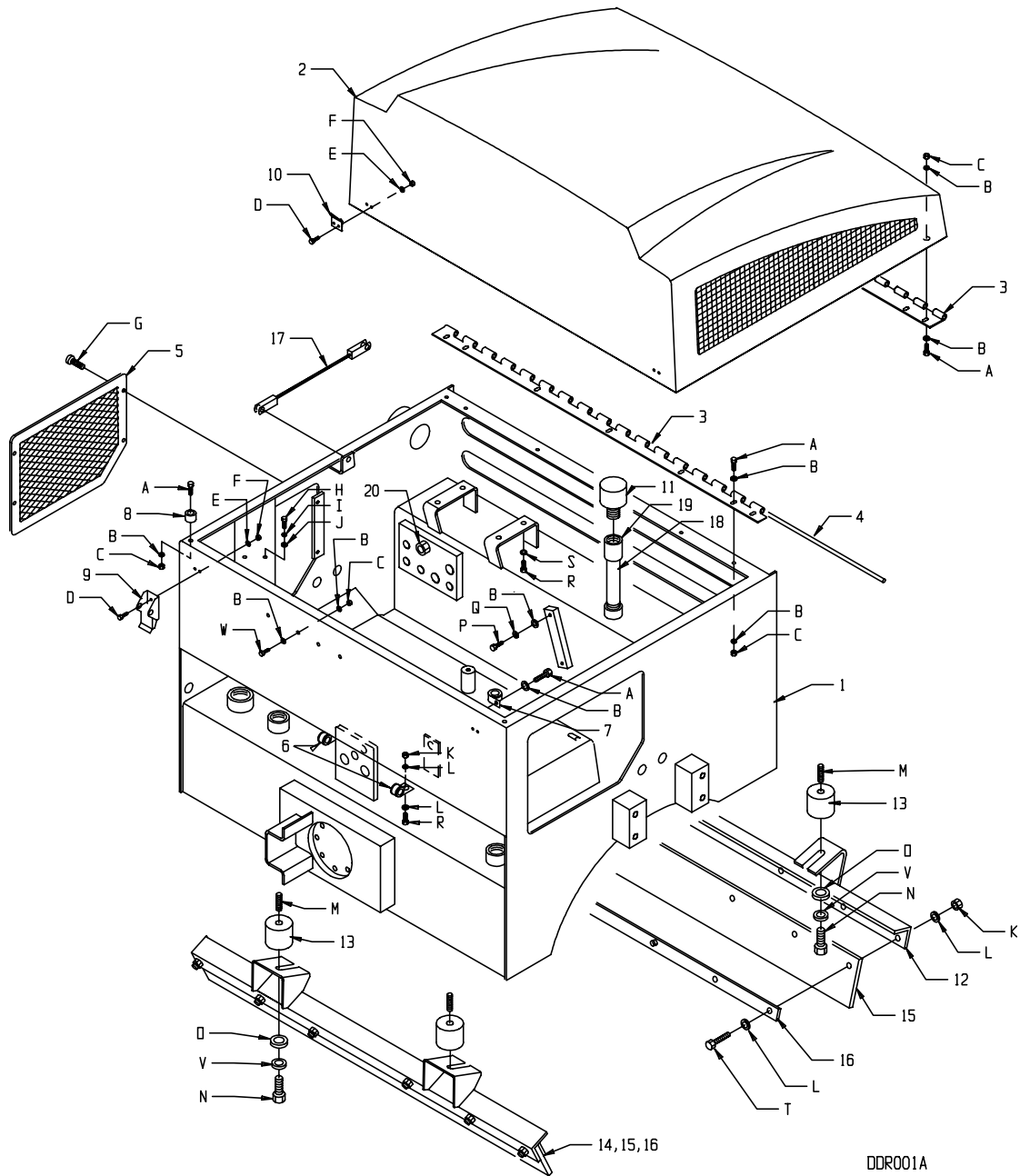
ASPHALT ROLLER

Stone Construction Equipment, Inc.
P.O. Box 150, Honeoye, New York 14471
Phone: (800) 888-9926
Fax: 716-229-2363

A 100% employee-owned American manufacturer

© 1995 Stone Construction Equipment, Inc.
Printed in U.S.A.

Front Frame



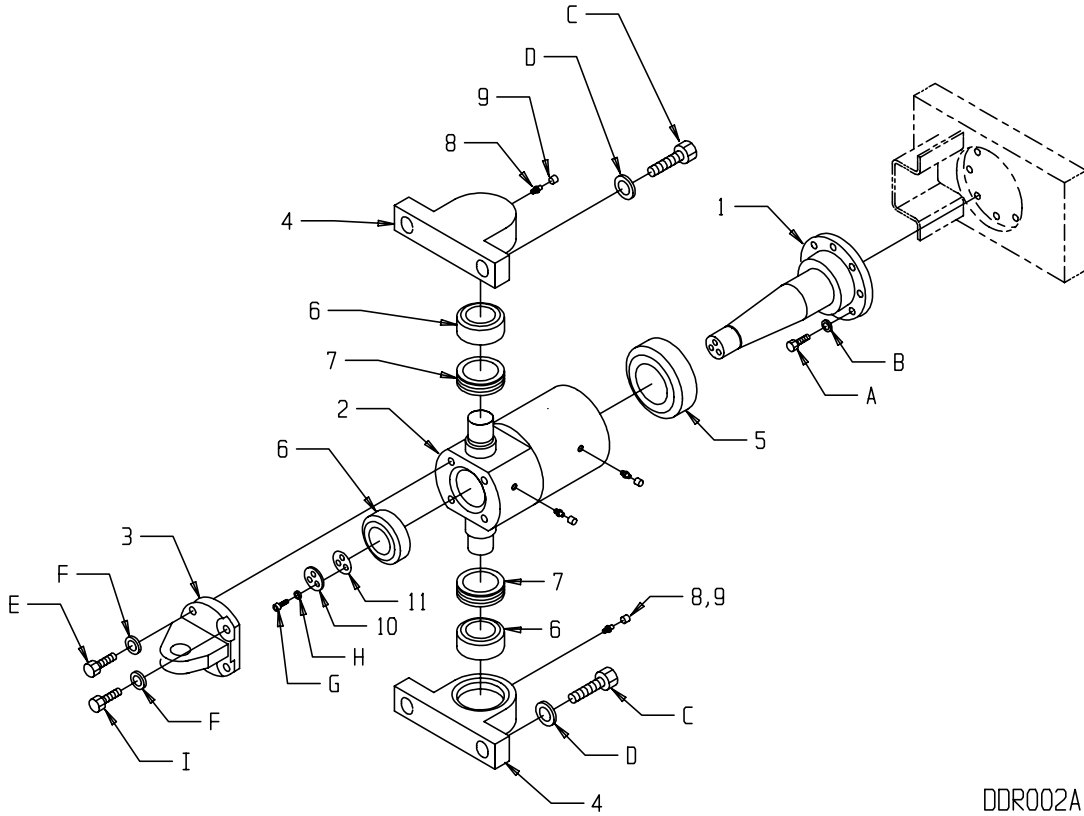
DDR001A

Front Frame

ITEM NO.	PART NUMBER	DESCRIPTION	QUANTITY	TORQUE		
				Din	Ft Lbs	NM
1	43505-2	Front Frame	1			
2	43545	Hood Fiberglass	1			
3	43563-2	Hinge Leaf	2			
4	43566	Pin	1			
5	43608-2	Panel LH	1			
6	35448	Clamp 5/8 RBR	3			
7	39200	Clamp 1/4 RBR	1			
8	41016	Bumper 1" x 9/16 H	2			
9	47373	Latch	2			
10	47374	Keeper	2			
11	35483	Breather	1			
12	43597-2	Scraper Outer	1			
13	47382	Shock Mount	4			
14	43587-2	Scraper Inner	1			
15	43591	Urethane	2			
16	43596-2	Backer	2			
17	38815	Cable Hood	1			
18	46728	Nipple 3/4 NPTx4"	1			
19	46090	Coupling 3/4 NPT Full	1			
20	32300	Sightglass 3/4	1			
	32299	O-Ring 5/8 IDx3/32	1			
A	80836*	HHCS M6X16 8.8 ZN	13	933	7	10
B	80856	WSHR M6X120D ZN	33	125A	-	-
C	80851	NUTNY M6 ZN OD	16	985	-	-
D	80877	HHCS M4X16 8.8 ZN	8	----	-	-
E	80880	WSHR M4X9 OD ZN	4	125A	-	-
F	80878	NUTNY M4 ZN	4	985	-	-
G	80847	BHSCS M6X20	4	----	-	-
H	80434*	HHCS 1/4 20X 3/4	2	----	6	8
I	80116	WSHRL 1/4 SPLIT ZN	2	----	-	-
J	80571	WSHR 1/4 SAE ZN	2	----	-	-
K	80817	NUTNY M8 ZN	14	985	-	-
L	80857	WSHR M8X160D ZN	28	125A	-	-
M	80874*	SHSS M12X30 BLK	4	913	-	-
N	80808*	HHCS M12X20 8.8ZN	4	933	61	83
O	80891	WSHR M12X280D	4	----	-	-
P	80881*	HHCS M6X50 8.8ZN	2	933	7	10
Q	80860	WSHRL M6 SPLIT ZN	2	127B	-	-
R	80406*	HHCS M8X20 8.8ZN	6	933	18	24
S	80812	WSHRL M8 SPLIT ZN	4	127B	-	-
T	80892*	HHCS M8X35 8.8ZN	12	933	18	24
V	80805	WSHRL M12 SPLIT ZN	4	127B	-	-
W	80811*	HHCS M6X25 8.8ZN	4	933	7	10

*Loctite Required

Pivot



DDR002A

Pivot

ITEM NO.	PART NUMBER	DESCRIPTION	QUANTITY
1	43517-2	Pin Pivot	1
2	43523-2	Tube Pivot	1
3	43524-2	Tab Cylinder	1
4	43518-2	Pillow Block	2
5	32278	BRG Pivot 2.00	1
6	32277	BRG Pivot 1.25	3
7	32281	Seal Triple Lip	2
8	46042	Fitting Grease	4
9	47001	Cap Grease	4
10	43521	Retainer Pin	1
11	43658	Shim Pin	As Required

				TORQUE		
				Din	Ft Lbs	NM
A	80872*	SHCS M10 X 30	6	912	35	48
B	80804	WSHRL M10 SPLIT	6	127B	-	-
C	80870*	HHCS M20X50 8.8ZN	4	933	250	339
D	80871	WSHRL M20 SPLIT ZN	4	127B	-	-
E	80815*	HHCS M10X30 8.8ZN	2	933	35	48
F	80820	WSHRL M10 SPLIT ZN	4	127B	-	-
G	80810*	SHCS M8X20 8.8 ZN	3	912	18	24
H	80828	WSHRL M8 SPLIT ZN	3	127B	-	-
I	80886*	HHCS M10X20 8.8ZN	2	933	35	48

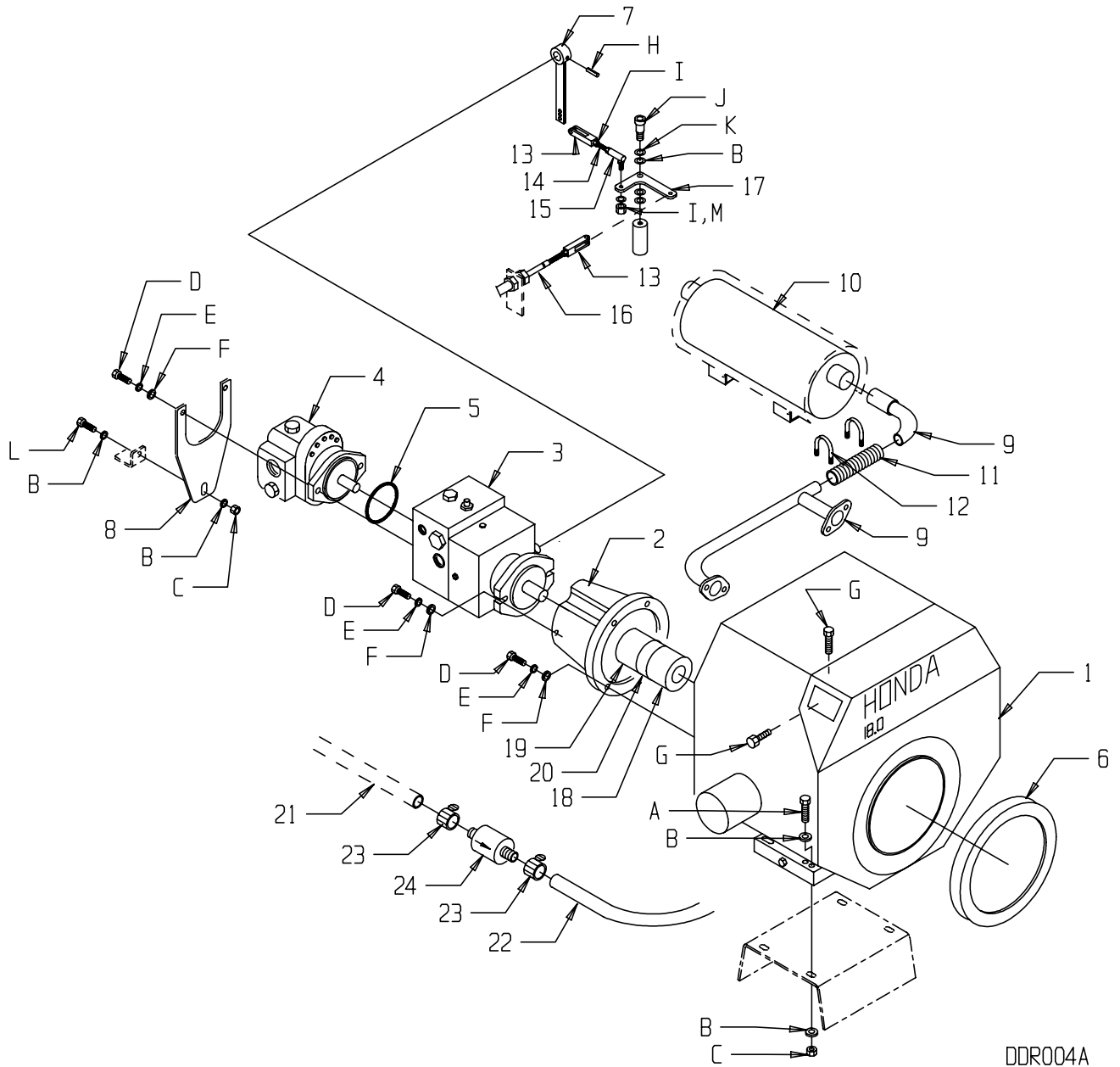
*Loctite Required

Front Drum

ITEM NO.	PART NUMBER	DESCRIPTION	QUANTITY	TORQUE		
				Din	Ft Lbs	NM
1	43556-2	Drum	1			
2	43561	Cap LH	1			
3	32292	O-Ring	1			
4	32279	BRG Roller	2			
5	43560	ECC Tube	1			
6	43567	ECC Shaft	1			
7	43568	Weight	2			
8	32291	Seal	1			
9	43562	Cap RH	1			
10	47368	S-Mount	9			
11	32280	BRG Ball	1			
12	43564-2	Plate RH	1			
13	43557-2	HSG BRG RH	1			
14	43579-2	Hanger Front RH	1			
15	47301	O-Ring 3/4 ID 1/16 CS	1			
16	39092	Motor ECC	1			
17	46666	Wheel Motor	1			
18	43578-2	Hanger LH	1			
19	43551R	Hub Dico	1			
20	43683-2	Drive Plate Front	1			
21		Nut	1			
22	43668-2	Cover Side	2			
23	41014	Coupling Set	1			
A	80087*	HHCS M8X25 8.8ZN	20	933	18	24
B	80812	WSHRL M8 SPLIT ZN	26	127B	-	-
C	80869*	HHCS M8X40 8.8ZN	6	933	18	24
D	80844*	HHCS M12X50 8.8ZN	6	933	61	83
E	80805	WSHRL M12 SPLIT ZN	14	127B	-	-
F	80595	KEY SQ 3/16X1	1	----	-	-
G	80868*	SHSS M8X10	4	913	-	-
H	46113	PLUG 3/8 NPT	1	----	-	-
I	80051	NUTNY 1/2-13 ZN	12	----	76	103
J	80343	WSHR 1/2 SAE ZN	12	----	-	-
K	80804	WSHRL M10 SPLIT ZN	2	127B	-	-
L	80872*	SHCS M10X30 8.8ZN	2	912	35	48
M	80873*	HHCS M12X30 10.9ZN	8	933	86	117
N	80807	WSHR M12X24 OD ZN	12	125A	-	-
O	80830	NUTNY M12 ZN	4	----	-	-
P	80594*	HHCS 7/16-20X1 GR5 ZN	5	----	41	56
Q	80335	WSHRL 7/16 SPLIT ZN	5	----	-	-
R	80316	PINCT 3/16X1-1/2	1	----	-	-

*Loctite Required

Power Pac



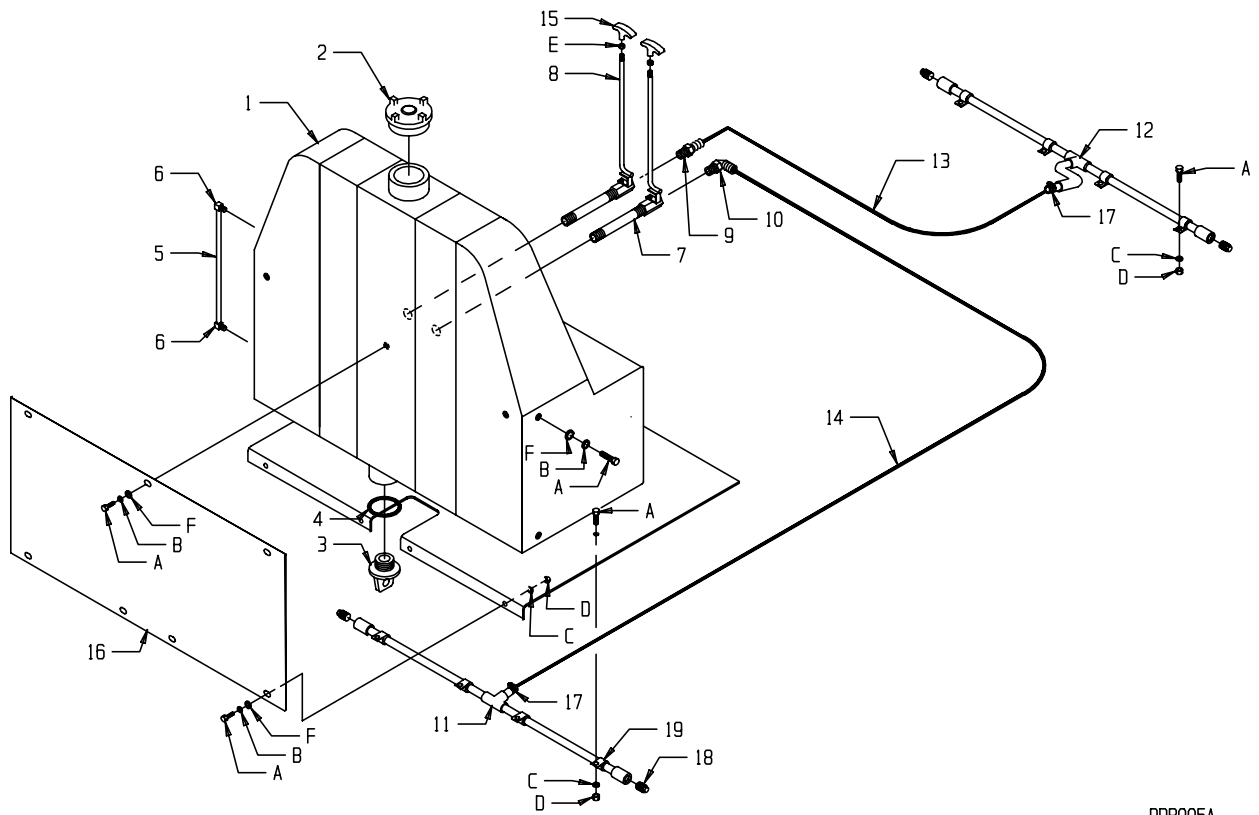
DDR004A

Power Pac

ITEM NO.	PART NUMBER	DESCRIPTION	QUANTITY	TORQUE		
				Din	Ft Lbs	NM
1	30348	Engine 18 Honda	1			
	56237	Manual Owners GX610	1			
	56238	Manual Shop GX610	1			
2	39093	Adaptor	1			
3	39084	Pump Var. Disp.	1			
4	39086	Pump Gear	1			
5	32298	O-Ring 31/4 ID 1/16 CS	1			
6	32286	Seal Inlet 24"	1			
7	43542-2	Lever FWD/RVS	1			
8	43628-2	Support Pump	1			
9/10	31228	Manifold, Elbow, Muffler	1			
11	43651	Flex Pipe	1			
12	47380	Clamp	2			
13	38561	Clevis	2			
14	43594	Thrd 1/4-28X3	1			
15	39099	Peabody Conn.	1			
16	38602	Cable FWD/RVS	1			
17	43592-2	ARM FWD/RVS	1			
18	39094	Coupling Engine	1			
19	39095	Coupling Pump	1			
20	39096	Insert	1			
21	46186	Fuel Line	4 FT			
22	46186	Fuel Line	1 FT			
23	34089	Clamp	3			
24	38856	Filter	1			
A	80838*	HHCS M10X50 8.8ZN	4	933	35	48
B	80806	WSHR M10X20 OD ZN	12	125A	-	-
C	80833	NUTNY M10 ZN	5	985	-	-
D	80476*	HHCS 3/8-16X1-1/2 GR5	8	----	23	31
E	80058	WSHRL 3/8 SPLIT ZN	8	----	-	-
F	80043	WSHR 3/8 SAE	8	----	-	-
G	80890	HHCS M5X30 8.8ZN	2	933	-	-
H	80775	PINSP 1/4X1 1/4 ZN	1	----	-	-
I	80237	NUTFX 1/4-28 ZN	3	----	-	-
J	80875*	SHSHB/10/M8X12	1	----	18	24
K	80876	WSHR CURVED M10	2	137A	-	-
L	80815*	HHCS M10X30 8.8ZN	1	----	35	48
M	80116	WSHRL 1/4 SPLIT ZN	1	----	-	-

*Loctite Required

Water Tank



DDR005A

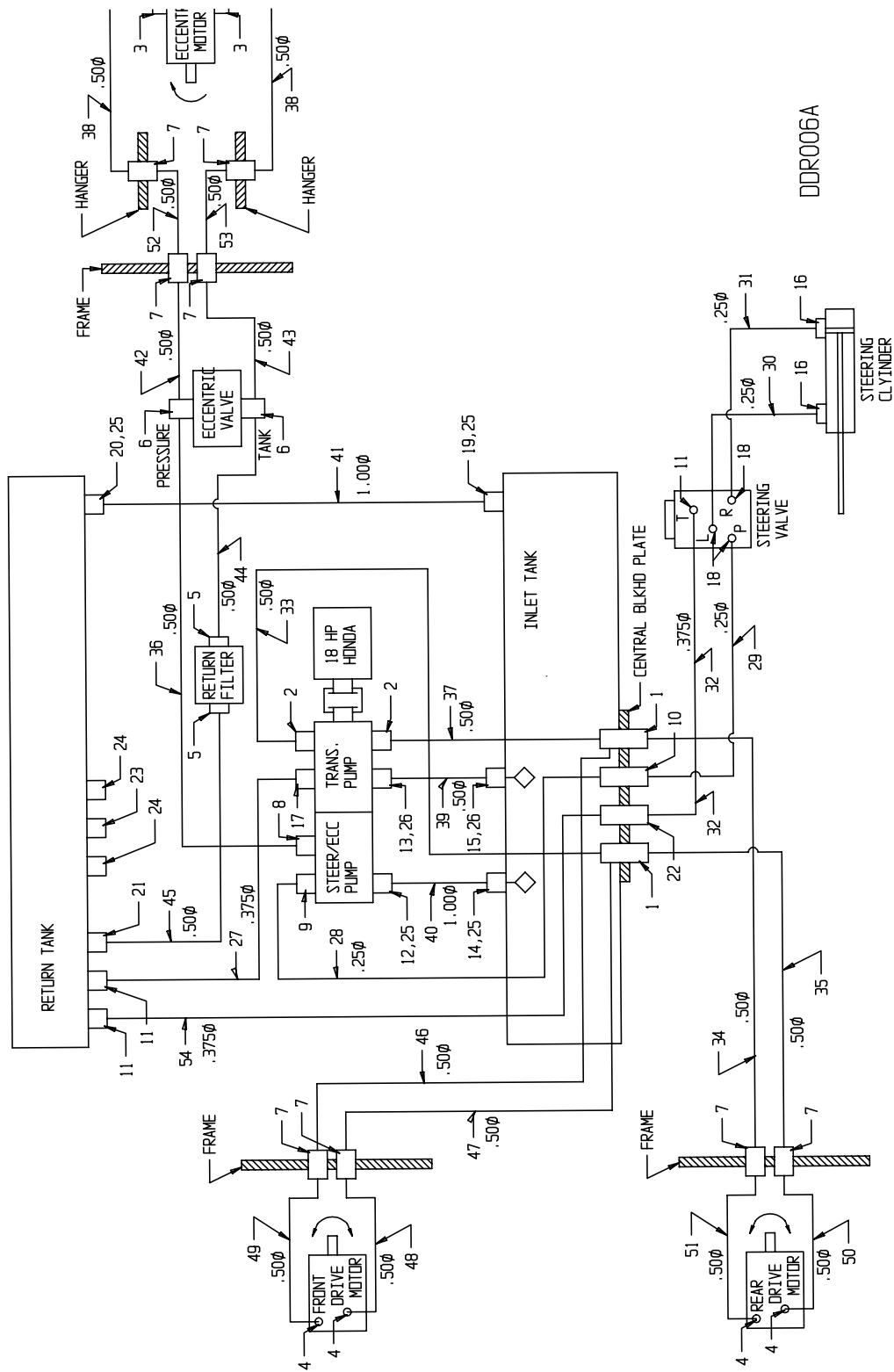
Water Tank

ITEM NO.	PART NUMBER	DESCRIPTION	QUANTITY
1	43600	Tank Water	1
2	47241	Cap Water Tank	1
3	37866	Plug Water Tank	1
4	37867	O-Ring	1
5	46727	Tube Water Level	1
6	34486	Elbow	2
7	46671	Nipple 1/2NPTx7" LG	2
8	43630-2	Valve/Rod Assy	2
9	46724	FTG STR 1/2NPTx5/8H	1
10	46725	FTG 90degree 5/8H	1
11	43632	Sprinkler Assy Rear	1
12	43687	Sprinkler Assy Front	1
13	46722	Hose Water Front	1
14	46721	Hose Water Rear	1
15	47379	Knob Water Valve	2
16	43634-2	Panel Rear	1
17	35447	Clamp Water Hose	4
18*	46113	Plug 3/8NPT	4
19*	35448	Clamp 5/8RBR Loop	8

*Included with
sprinkler assy.

				TORQUE		
				Din	Ft Lbs	NM
A	80087	HHCS M8X25 8.8ZN	17	933	13	18
B	80812	WSHRL M8 SPLIT ZN	11	127B	-	-
C	80857	WSHR M8X17OD ZN	12	125A	-	-
D	80817	NUTNY M8	12	985	-	-
E	80246	NUTKP 5/16-18 ZN	2	----	-	-
F	80806	WSHR M10X20 OD	11	125A	-	-

Piping Diagram

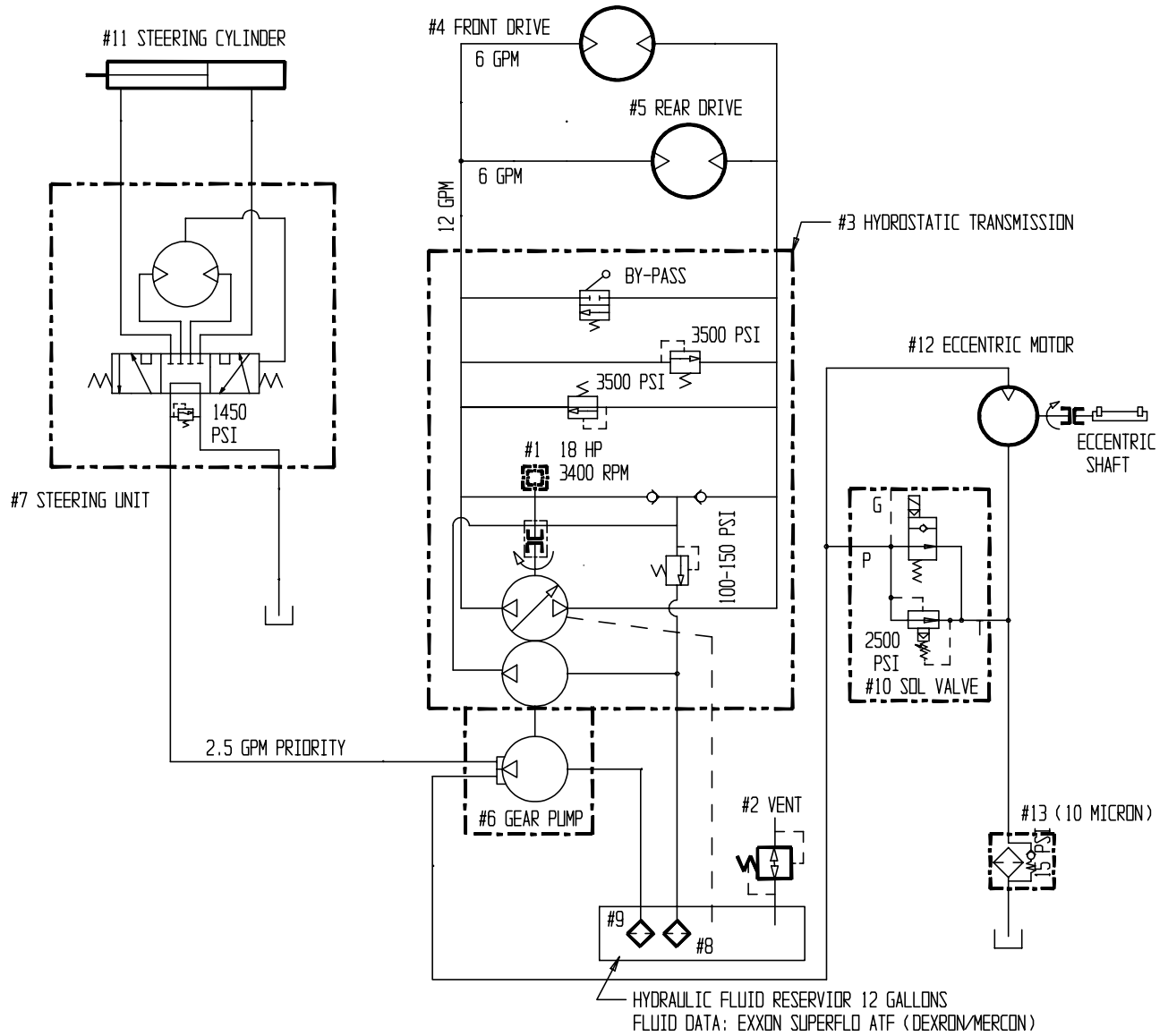


DDR006A

Piping Diagram

ITEM NO.	PART NO.	DESCRIPTION	QUANTITY
1	46672	Fitting 1/2 Bulkhead Tee	2
2	46673	Fitting 3/4 To 1/2 STR Conn	2
3	46617	Fitting 3/4 To 1/2 STR THD Elbow	2
4	46585	Fitting 5/8 To 1/2 STR THD Conn	4
5	46674	Fitting 3/4 To 1/2 NPT 90 Elbow	2
6	46675	Fitting 1/2 Branch Tee	2
7	46618	Fitting 1/2 Bulkhead Elbow	8
8	46676	Fitting 5/8 to 1/2 45 Elbow	1
9	46677	Fitting 1/4 To 1/2 STR THD Conn	1
10	46678	Fitting 1/4 STR Bulkhead Union	1
11	46679	Fitting 3/8 STR THD Conn	3
12	46680	Fitting 1" Hose Low Press 45 Elbow	1
13	46681	Fitting 1/2 Hose Low Press 45 Elbow	1
14	46682	Fitting 1" Hose Low Press 45 Elbow	1
15	46683	Fitting straight 1/2 Hose Low Press	1
16	46684	Fitting 3/8 NPT STR Conn	2
17	46685	Fitting Straight THD 45 Elbow	1
18	46686	Fitting 1/4 to 3/8 STR THD Conn	3
19	46592	Fitting 90 Elbow 1" Hose Low Press	1
20	46687	Fitting Straight 1" Hose Low Press	1
21	46579	Fitting 1/2 STR THD Conn	1
22	46688	Fitting 3/8 BLKHD 90 Elbow	1
23	46689	Plug 1/2 O-Ring	1
24	46690	Plug 1/4 O-Ring	2
25	46595	Clamp 1" Hose	4
26	46691	Clamp 1/2 Hose	2
27	46692	Hose Trans. Case Drain	1
28	46693	Hose P-Line Steering Pump To BLKHD	1
29	46694	Hose P-Line Steering BLKHD To Cont Valve	1
30	46695	Hose L-Line Steering Cont Valve To Cyl Rod End	1
31	46696	Hose R-Line Steering Cont Valve To Cyl Cap End	1
32	46697	Hose T-Line Steering Cont Valve To BLKHD	1
33	46698	Hose Trans Pump L.S. To BLKHD R.S.	1
34	46699	Hose Rear Motor L.S. To BLKHD R.S.	1
35	46700	Hose Rear Motor R.S. To BLKHD L.S.	1
36	46701	Hose P-Line ECC Pump To ECC Valve	1
37	46702	Hose Trans Pump R.S. To BLKHD L.S.	1
38	46703	Hose ECC Motor R.S. To Hanger BLKHD	1
	46703	Hose ECC Motor L.S. To Hanger BLKHD	1
39	46704	Hose Charge Pump Inlet	1
40	46705	Hose ECC Pump Inlet	1
41	46706	Hose Tank To Tank Cross Flow Hose	1
42	46707	Tube: Valve Tee (Upper) To R.S. Frame	1
43	46708	Tube: Valve Tee (Lower) To L.S. Frame	1
44	46709	Tube: Valve Tee (Lower) To Filter	1
45	46710	Tube: Filter To Tank (Return)	2
46	46711	Tube: BLKHD Tee R.S. To Frame R.S.WHLMTR	1
47	46712	Tube: BLKHD Tee L.S. To Frame L.S. WHLMTR	1
48	46713	Tube: Frame R.S. To Front WHLMTR R.S.	1
49	46714	Tube: Frame L.S. To Front WHLMTR L.S.	1
50	46715	Tube: Frame R.S. To Rear WHLMTR R.S.	1
51	46716	Tube: Frame L.S. To Rear WHLMTR L.S.	1
52	46717	Tube: Frame To Hanger R.S.	1
53	46718	Tube: Frame To Hanger L.S.	1
54	46719	Tube: BLKHD To Tank	1
55	32301	O-Ring-4 Tube .30 ID	-
56	32302	O-Ring -6 Tube .36 ID	-
57	32303	O-Ring-8 Tube .49 ID	-

Hydraulic Schematic

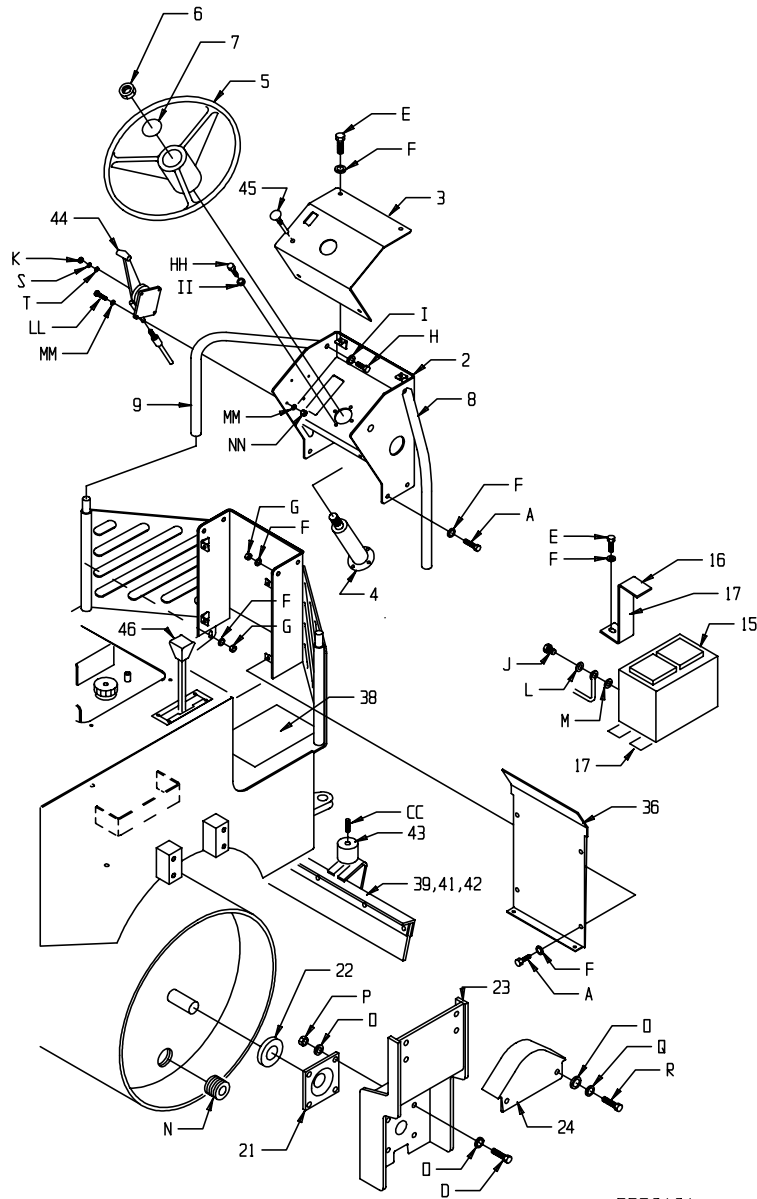


DDR008A

Hydraulic Schematic

ITEM NO.	PART NO.	DESCRIPTION	QUANTITY
1	30348	Engine Honda 18HP	1
2	35483	Breather	1
3	39084	Pump Vari. Disp.	1
4	46666	Wheelmotor Front	1
5	46667	Wheelmotor Rear	1
6	39086	Pump Gear	1
7	46665	Control Steering	1
8	39087	Strainer 5GPM	1
9	39088	Strainer 10GPM	1
10	39089	Valve Solenoid	1
11	46651	Cylinder 2X4	1
12	39092	Motor Gear	1
13	35444	Filter Hydraulic	1
	35445	Filter Element	1

Rear Frame / Drum



DDR010A

Rear Frame / Drum

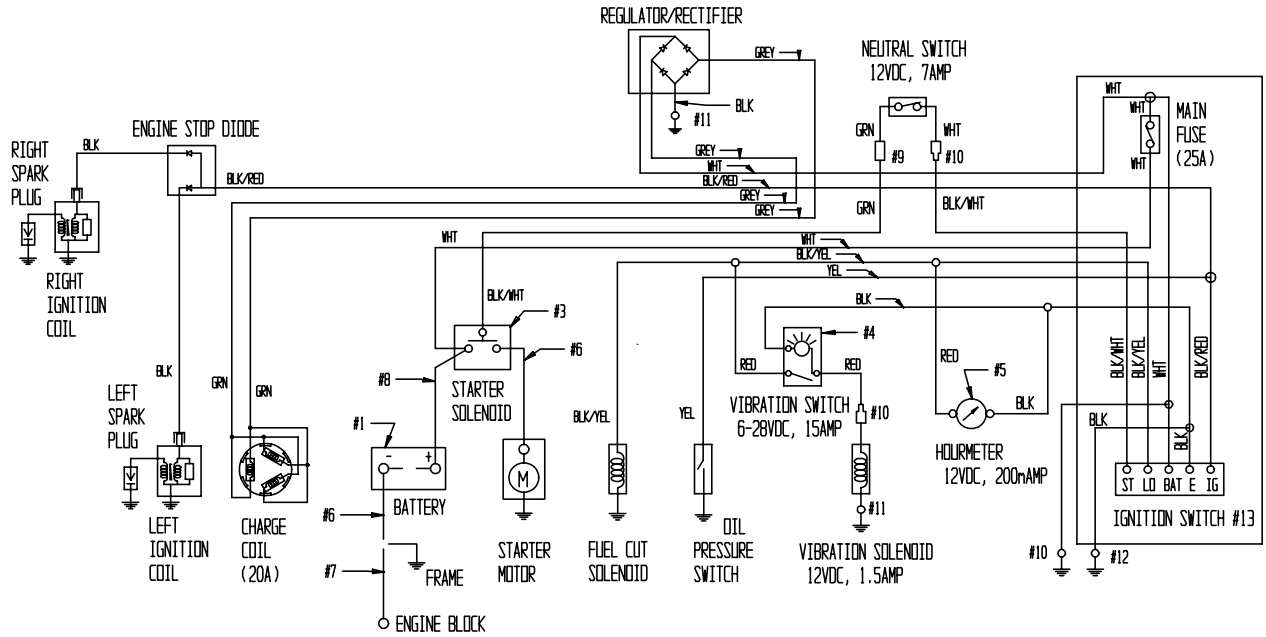
ITEM NO.	PART NO.	DESCRIPTION	QUANTITY
1	43540-2	Frame Rear	1
2	43640-2	Steering Frame	1
3	43637-2	Cover Steering	1
4	46664	Steering Column	1
5	41017	Steering Wheel	1
6	46656	Nut	1
7	47218	Cap Steering Wheel	1
8	43644-2	Grab Bar RH	1
9	43645-2	Grab Bar LH	1
10	43530-2	Panel Seat	1
11	43675-2	Floor Weld	1
12	43670-2	Door Fuel	1
13	43663-2	Hinge	1
14	47195	Seat	1
15	38543	Battery	1
16	43638-2	Strap Battery	1
17	47244	Rubber 1.5x6.75	3
18	41019	Cap Fuel	1
19	41023	Latch	1
	41024	Key Fuel Door	1
20	43583-2	Drum Rear	1
21	32206	BRG Flange	1
22	42138	Spacer	1
23	43574-2	Hanger RH Rear	1
24	43668-2	Cover Side	2
25	43552-2	Drive Plate Rear	1
26	43551R	Hub Dico	1
27	46729	Nut 1-20 UNEF Eaton	1
	46730	Key SQ .313 Eaton	1
28	43688-2	Hanger LH Rear	1
29	43664	Pin Fuel Door	1
30	43621-2	Brake Assy	1
31	38095	Brake Lever	1
32	43625	Rod 5/16-24x9-1/2	1
33	35925	Clevis 5/16-24x5/16 Pin	2
34	43662	Grip Tran Link	1
35	43580-2	Link Transport	1
36	43648-2	Panel Lower	1
37	43649-2	Cover Battery	1
38	43674	Skid Proof	3
39	43587-2	Scraper Inner	1
40	43597-2	Scraper Outer	1
41	43591	Urethane	2
42	43596-2	Backer	2
43	47382	Shock Mount	4
44	39197	Throttle Assy	1
	39201	Throttle Only	1
	39202	Cable Only	1
45	38761	Cable Choke	1
46	39097	Control FWD/RVS	1
	38601	Cable FWD/RVS	1
47	34486	Elbow 90 1/8NPTx1/4	1
48	34089	Clamp	1
49	46186	Hose	4 Ft
50	47381	Hairpin	1

Rear Frame / Drum

ITEM NO.	PART NO.	DESCRIPTION	QUANTITY			
A	80087*	HHCS M8x25 8.8 ZN	8	933	17	24
B	80850	NUTNY M5 ZN	4	985	-	-
C	80869*	HHCS M8x40 8.8 ZN	2	933	17	24
D	80844*	HHCS M12x50 8.8 ZN	9	933	61	83
E	80406*	HHCS M8x20 8.8 ZN	5	933	17	24
F	80857	WSHR M8x1700	60	125A	-	-
G	80817	NUTNY M8 ZN	23	985	-	-
H	80886*	HHCS M10x20 8.8 ZN	2	933	35	48
I	80804	WSHRL M10 Split ZN	2	127B	-	-
J	80686*	HHCS 3/8-16x3/4 GR8 ZN	2	----	-	-
K	80897	NUTFL M6 ZN	1	980V	-	-
L	80342	WSHR 3/8 SAE	2	----	-	-
M	26325	WSHR 3/8x1X3/16 ZN	4	----	-	-
N	46172	Plug INPT Soc Hd	2	----	-	-
O	80807	WSHR M12x2400	26	125A	-	-
P	80830	NUTNY M12 ZN	9	985	-	-
Q	80805	WSHRL M12 Split ZN	18	127B	-	-
R	80873*	HHCS M12x30 10.9 ZN	14	933	86	117
S	39203	WSHR Flattened	1	----	-	-
T	39204	WSHR Nylon	1	----	-	-
U	80043	WSHR 3/8 WROT	5	----	-	-
V	80594*	HHCS 7/16-20x1 GR5	5	----	41	56
W	80335	WSHRL 7/16 Split ZN	5	----	-	-
X	80802*	HWHST M8x25 8.8 ZN	12	7500D	17	24
Y	80883*	HHCS M8x50 8.8 ZN	2	933	17	24
Z	80247	NUTFX 5/16-24 ZN	2	----	-	-
AA	80885*	SHSHB 10/M8x30	1	1359	-	-
BB	80892*	HHCS M8x35 8.8ZN	12	933	17	24
CC	80874*	SHSS M12x30 BLK	4	913	-	-
DD	80808*	HHCS M12x20 8.8 ZN	4	933	61	83
EE	80891	WSHR M12x28 OD	4	125A	-	-
FF	26325	WSHR 3/8x1x3/16 ZN	2	----	-	-
GG	80316	PINCT 3/16X1-1/2	1	----	-	-
HH	80811*	HHCS M6X25 8.8ZN	4	933	7	10
II	80860	WSHRL M6 ZN	4	127B	-	-
JJ	80348	WSHR 5/16 WROT ZN	4	----	-	-
KK	80114	NUTNY 5/16 ZN	4	----	-	-
LL	80889	HHCS M5X16 ZN	4	933	-	-
MM	80855	WSHR M5X10 OD ZN	8	125A	-	-

*Loctite
Required

Wire Schematic

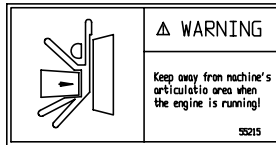


DDR011A

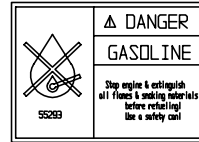
Item	Part No.	Description	Qty.
1	38543	Battery	1
2	48353	Harness	1
3	48269	Solenoid	1
4	38562	Switch Vibration	1
5	36268	Hourmeter	1
6	48284	Cable 24"	2
7	48331	Cable 36"	1
8	48294	Cable 54"	1
9	48278	Term Female .25F - insul 14-16	1
10	48285	Term Male .25F - insul 14-16	3
11	36115	Term 5/16 Ring insul 14-16	2
12	36116	Term 1/4 Ring insul 14-16	1
13	31227	Ignition Switch Assy	1
	46363	Key Ignition Switch	-
	36399	Fuse 25A Ignition	-

Decal Identification

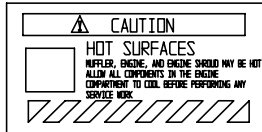
SAFETY DECALS



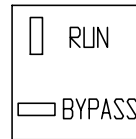
55215 PINCH POINT
LOCATION RH/LH SIDES



55293 GASOLINE
LOCATION FUEL DOOR



55316 HOT SURFACES
LOCATION INSIDE HOOD



55297 BYPASS
LOCATION MAIN PUMP

OTHER DECALS

55295 MAINTENANCE CHART
55312 FORWARD/REVERSE
55312 FUEL DOOR
55313 WATER SPRINKLER
55314 PARKING BRAKE
55307 OPERATOR CONSOLE
55234 HYDRAULIC OIL ATF
55296 GREASE WEEKLY RED
55309 WOLFPAC 3100 RH
55310 WOLFPAC 3100 LH
55311 WOLFPAC ICON
55308 STONE LOGO
55156 CONTACT STONE 1-800

LOCATION

REAR FRAME
REAR FRAME
REAR FRAME
REAR FRAME
REAR FRAME
STEERING PANEL
FRONT HYD TANK
RH REAR HANGER
RH REAR FRAME
LH REAR FRAME
FRONT OF HOOD
FRONT PANEL
HYD FILTER BRACKET

DDR012A