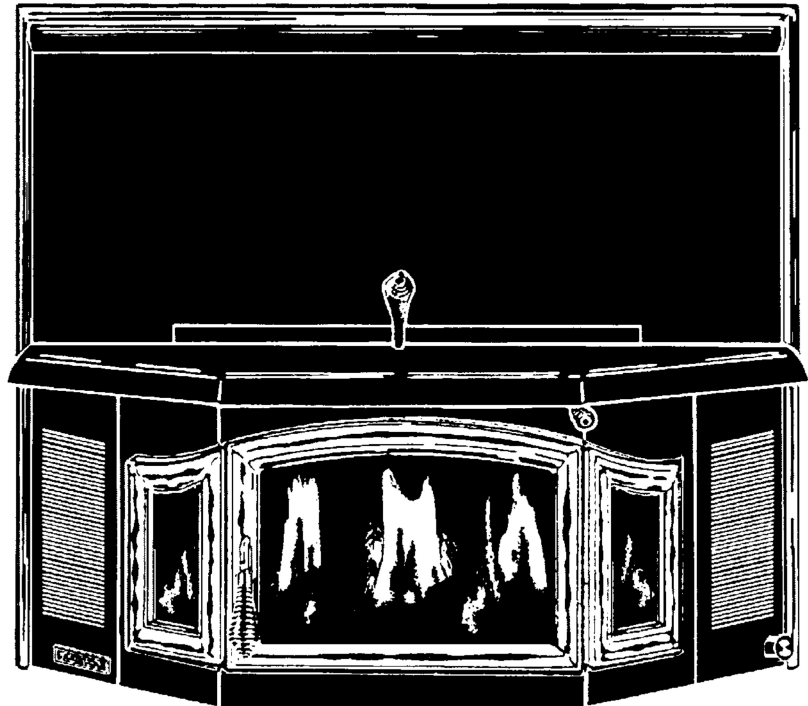




INSTALLATION AND OPERATION MANUAL

EPA CERTIFIED
CATALYTIC WOOD
BURNING FIREPLACE
INSERT



www.nficertified.org

We suggest that our wood-burning hearth products be installed and serviced by professionals who are certified in the U.S. by the National Fireplace Institute® (NFI) as NFI Woodburning Specialists or who are certified in Canada by Wood Energy Technical Training (WETT).



Wood Energy
Technical Training
www.wettinc.ca

RETAIN THESE
INSTRUCTIONS
FOR FUTURE
REFERENCE

MODEL BV400C-2

THIS APPLIANCE MUST BE INSTALLED BY A QUALIFIED INSTALLER.
READ ENTIRE MANUAL THOROUGHLY BEFORE INSTALLATION.

Tested &
Listed By  Beaverton
Oregon USA

OMNI-Test Laboratories, Inc.

P/N 775,005M Rev. M, 12/03

COMPONENT DIAGRAMS – Model BV400C-2

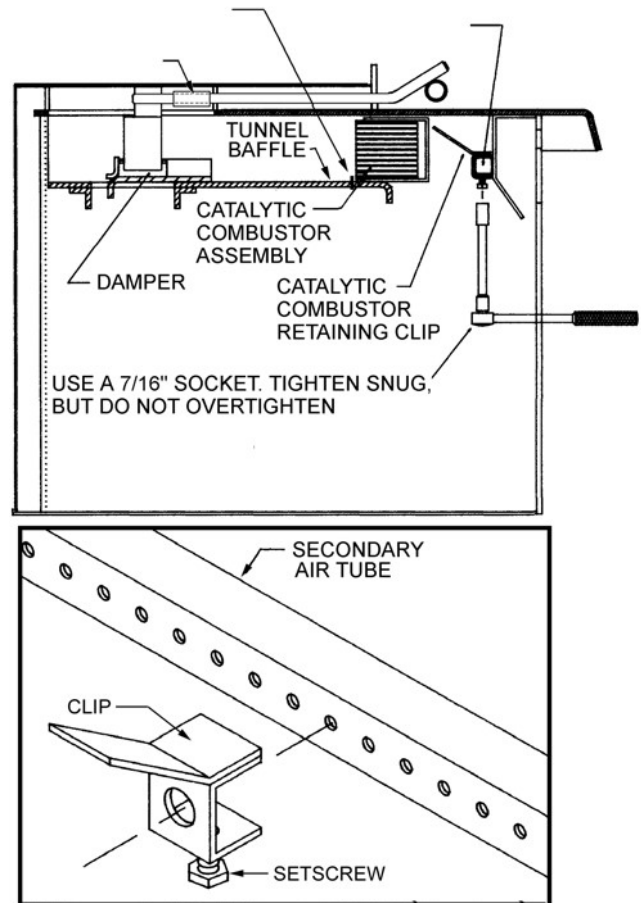
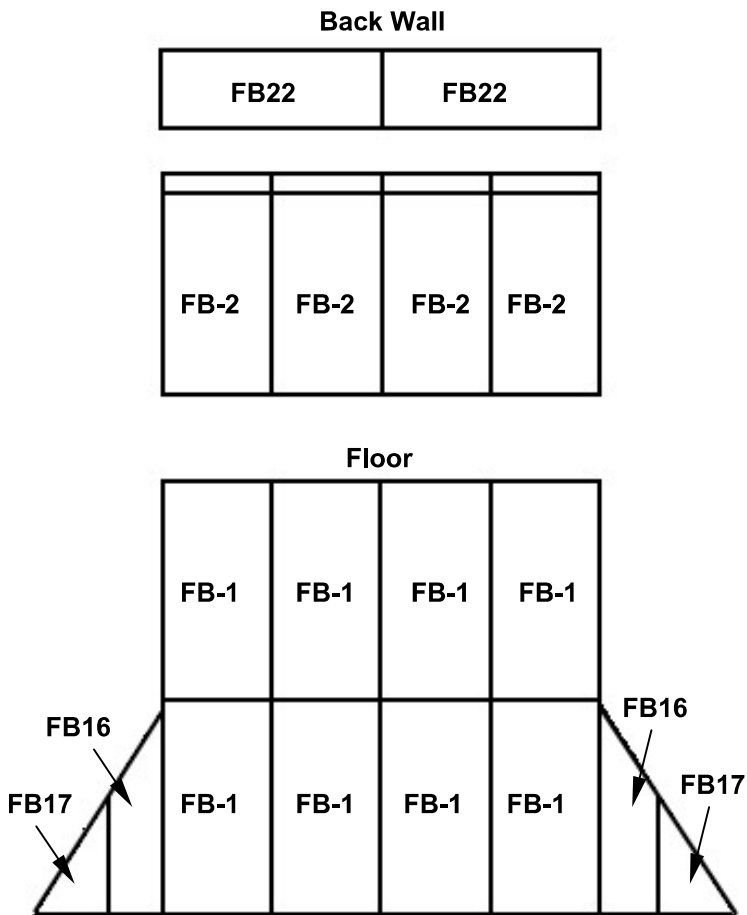
ITEM NO	DESCRIPTION
Door and Glass Parts	
27M67	Clip Set, Glass
H0537	Door Assembly, Gold (handle included)
86-128	Gasket Kit, 3/4" Door Rope (includes adhesive)
27M81	Gasket Kit, Door Glass (10' of 10580)
G400-7	Glass, Large Arched 11 x 17" (gasket not included)
G410	Glass, Side 4 x 8 3/4" (gasket not included. order 2 if set is needed)
LB-102214	Handle Assembly
11529	Hinge Pin 10 L 18 (Original) Requires Welding
11531	Hinge Pin, Retrofit (requires drill #3 [.213"] & Tap 1/4"-28 UNF. order 2 if set is needed)
10362	Torque Plate (Latch)
11538	Trim, Left Side Gold
11540	Trim, Right Side Gold
Draft Module Parts	
907	Handle, Draft Module Coil
26M68	Module Assembly, Draft (controls burn rate)
Catalytic Combustor Parts	
11000	Clip, Combustor
ESCC	Combustor Assembly 2" (*SN<7802) - Includes ceramics, gasket & housing
14000	Combustor Assembly 3" (*SN>7802) - Includes ceramics, gasket & housing
BV100	Probe, Combustor Temperature
11485	Housing, Combustor
11481H	Gasket, Interam Combustor (1/16"x3"x36")
Room Air Blower Parts	
410-25L	Blower Assembly, Left ♦
410-25R	Blower Assembly, Right ♦
11565	Disc, Low Limit (fan disc for blowers, F110°-20F, 60T12)
LB-102280	Wire Harness Kit (Includes Left Side Crossover Wire Harness, Right Side Wire Harness and Power Cord)
10050087	Knob, Rheostat
LB-101496	Motor, Blower, 1 ea. (includes metal propeller)
26M22	Power Cord (does not include power cord restraint, p/n 2062)
2062	Restraint, Power Cord
42M1401	Propeller, Metal Blower Motor
528	Rheostat, Blower Speed Control (knob not included)
410-270	Switch, On/Off (Bypass)
410-260	Terminal Block, Large
410-265	Terminal Block, Small
Surround Parts	
2046	Bracket, Surround Trim ("L" bracket / corner key. order 2 if set is needed) 02046
410-43	Insulation Kit Set, Surround
430	Surround Assembly, Standard 48" x 32"
430XL	Trim Kit, Gold Tone, 48" x 32" (standard)
26M69	Trim Kit, Gold Tone, 48" x 35 1/2" (taller side trim for units with optional ash drawer installed)
Miscellaneous Parts	
775005M	Manual, Installation and Operation (owners manual)

COMPONENT DIAGRAMS – Model BV400C-2

Firebox Parts	
11711	Cover, Ash Dump (w/ Gasket 4 1/4 x 8 3/8" x 1/2")
26M70	Damper Kit, Bypass (damper, linkage and rod)
LB-102215	Damper Stop (sleeve for damper rod to limit travel of damper door)
FB17	Firebrick, 3 1/4 x 5 1/8 x 0" Regular (order 2, if set is needed) ◇
FB16	Firebrick, 8 3/4 x 2 1/4 x 5 1/8" Regular (order 2, if set is needed) ◇
FB22	Firebrick, 9 x 3 1/4" Regular (order 2, if set is needed) ◇
FB-1	Firebrick, 9 x 4 1/2" Regular (order 8, if set is needed) ◇
FB-2	Firebrick, 9 x 4 1/2" w/ Notch (order 4, if set is needed) ◇
11812	Gasket, Ash Dump (4 1/4 x 8 3/8 x 1/2")
C-200-51	Hook, Damper (Coil handle with hook for opening / closing damper bypass)
◆ Blower assemblies include 2 blowers w/ propellers, mounting bracket and terminal block.	
◇ All firebrick are 1 1/4" thick	

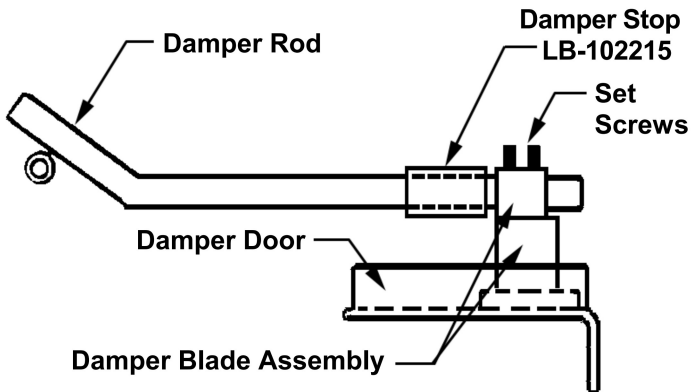
FIREBRICK (All Brick are 1 1/4" THICK)

FIREBOX COMPONENTS

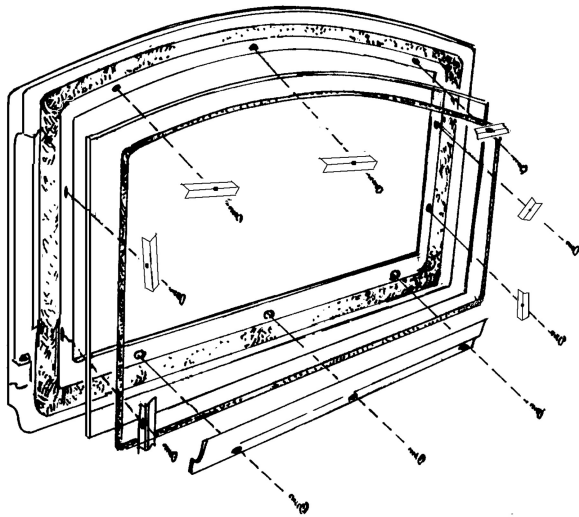


COMPONENT DIAGRAMS – Model BV400C-2

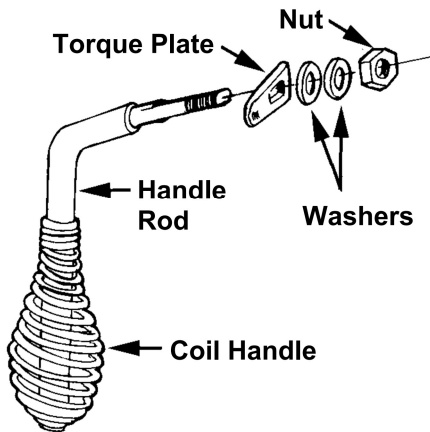
REPLACEMENT DAMPER KIT (Cat. No. 26M70)



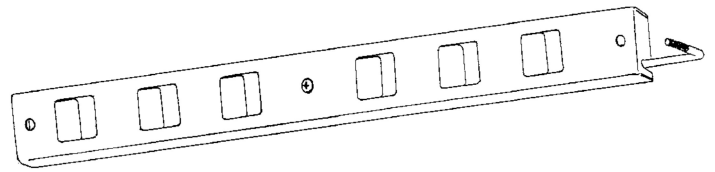
DOOR ASSEMBLY - Cat. No. H0537 (Gold) and Cat No. H0538 (Black) (Includes Handle Assembly, Not Shown)



HANDLE ASSEMBLY (P/N LB-102214)



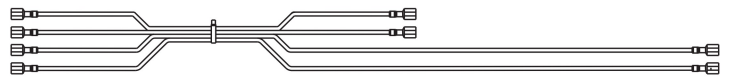
DRAFT MODULE ASSEMBLY (Cat. No. 26M68)



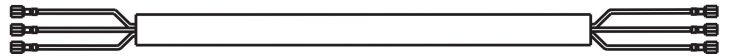
WIRE HARNESS KIT (P/N LB-102280)

Includes the following 3 Components:

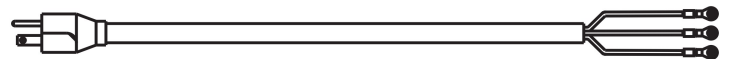
Wire Harness – Right Side



Wire Harness –Left Side (Crossover Wires To Left Side)



Replacement Power Cord



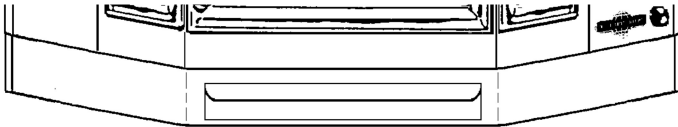
OPTIONAL ACCESSORIES - Model BV400C-2

Accessories

Part/ Cat. No.	Model	Description
14M69	AD-BV400C	Ash Drawer – Includes taller surround side trim-35 1/2" because ash drawer adds 3 1/2" to height of insert.
14M77	OA400-8	8" to 8" Offset Adapter for flue outlet.
14M79	OA400-86	8" to 6" Offset Adapter for flue outlet.
70K99	TSPK-B	Paint, Flat Metallic Black, 12 oz. Spray Can (stove/pipe paint)

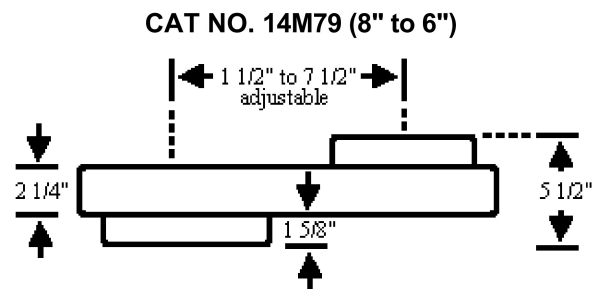
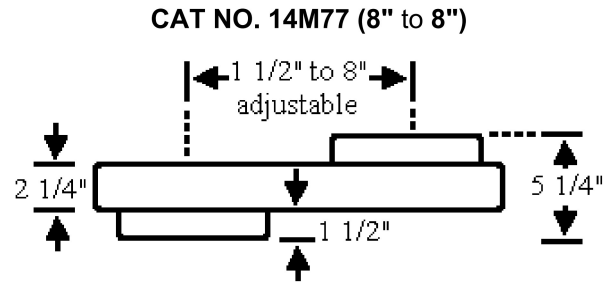
OPTIONAL ASH DRAWER (Catalog # 14M69)

The optional ash drawer assembly installs underneath the appliance (it adds 3 1/2" to the height when installed). It is designed to make cleaning easier by containing the ashes in a removable drawer.

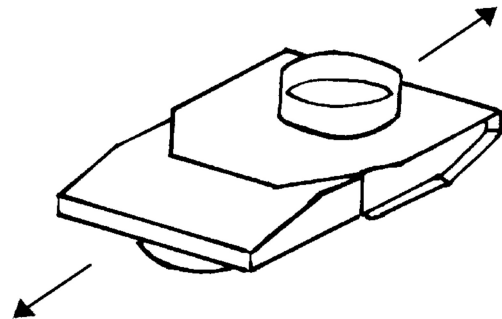


* OFFSET ADAPTERS

CAT NO. 14M77 (8" to 8" for Masonry Fireplaces) & 14M79 (8" to 6" for Factory Built Fireplaces) Installations requiring offsets can be handled using an offset adapter (it aligns starter pipe with flue).



Actual Appearance



SAFETY / LISTING LABEL

CONTACT YOUR LOCAL BUILDING OR FIRE OFFICIALS ABOUT RESTRICTIONS AND INSTALLATION INSPECTION IN YOUR AREA

Listed Masonry Fireplace Accessory/Insert
FOR USE WITH SOLID FUEL ONLY



Manufactured by:
LENNOX HEARTH PRODUCTS
1110 West Taft Avenue
Orange, CA 92865

"PREVENT HOUSE FIRES"

Install and use only in accordance with manufacturer's installation and operating instructions and your local building codes. Do not connect this unit to a chimney flue serving another appliance.

NOTE: Replace glass only with 5mm ceramic.

ELECTRICAL MOTOR/RATING:
Aerovox, Model S10625082, 115V, .5 Watts, 60 Hz

DANGER: Risk of electrical shock. Disconnect power before servicing unit. Do not route power cord under or in front of appliance.

Approved for installation in listed zero-clearance fireplaces. Zero-clearance installations require a full reline from the flue collar to the rain cap. For flue collar offsets in Zero-clearance installations use only part #14M79. For flue collar offsets in a masonry fireplace use only part #14M77. See manual for further information.

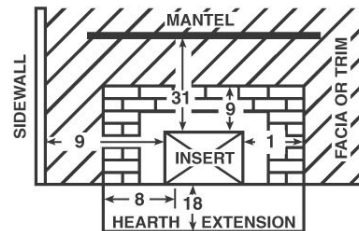


SERIAL NO.

MODEL: BAYVIEW 400C-2
CAT. NO.: H0542
OREGON DESIGN NO: E.S.-05
TESTED TO: UL 1482
REPORT NO. 030-S-04-2

CATALYTIC COMBUSTOR: Burning of metal foils, coal, plastic, garbage, sulphur and diesel oil will make the catalyst in the converter inactive. The converter is fragile; handle carefully. The performance of the catalytic device or its durability has not been evaluated as part of the certification.

Minimum Clearances to Combustible Materials (in inches)



Install insert with a minimum of 9" clearance to combustible sidewall, 1" to side and 9" to top trim, 31" from top of insert to mantel. Floor protector must be 3/8" minimum non-combustible material or equivalent, extending 18" in front of insert and 8" to both sides. When used as an insert stove, install only in a masonry fireplace, built to UBC Chapter 37. Do not remove brick or mortar from masonry fireplace to accommodate insert. Use flue outlet

with a direct connector in a masonry chimney. Remove and clean behind unit frequently, as creosote buildup may occur rapidly.



CAUTION: HOT WHILE IN OPERATION. DO NOT TOUCH. CONTACT MAY CAUSE SKIN BURNS. KEEP FURNISHINGS AND COMBUSTIBLE MATERIAL A CONSIDERABLE DISTANCE AWAY. SEE NAMEPLATE AND INSTRUCTIONS. DO NOT OVERFIRE. IF HEATER OR CHIMNEY CONNECTOR GLOWS, YOU ARE OVERFIRING. INSPECT AND CLEAN CHIMNEY AND CONNECTOR FREQUENTLY. UNDER CERTAIN CONDITIONS OF USE, CREOSOTE BUILDUP MAY OCCUR RAPIDLY. DO NOT USE GRATE OR ELEVATE FIRE - BUILD WOOD FIRE DIRECTLY ON HEARTH. DO NOT BURN WITH FEED DOOR OR FLUE BYPASS OPEN. FEED DOOR MUST BE CLOSED DURING FIRING EXCEPT WHEN ADDING FUEL. OPEN FLUE DRAFT BEFORE OPENING FEED DOOR.

U.S. ENVIRONMENTAL PROTECTION AGENCY

Certified to comply with July 1990 particulate emission standards.

This wood heater contains a catalytic combustor, which needs periodic inspection and replacement for proper operation. Consult owner's manual for further information. It is against the law to operate this wood heater in a manner inconsistent with operating instructions in the owner's manual, or if the catalytic element is deactivated or removed.

DATE OF MANUFACTURE

2002 2003 2004 Jan. Feb. Mar. Apr. May June July Aug. Sept. Oct. Nov. Dec.

P/N 9-1443, Rev. NC DO NOT REMOVE THIS LABEL Made in U.S.A. IGN

Manufactured by Lennox Hearth Products

Model: Bayview 400C-2

US ENVIRONMENTAL PROTECTION AGENCY

CATALYST EQUIPPED

MEETS EPA PARTICULATE MATTER (SMOKE) CONTROL REQUIREMENTS FOR CATALYTIC WOOD HEATERS BUILT ON OR AFTER JULY 1, 1990. SEE CATALYST WARRANTY. ILLEGAL TO OPERATE WHEN CATALYST IS NOT WORKING. SEE OWNER'S MANUAL FOR OPERATION AND MAINTENANCE.

SMOKE

THIS MODEL



0 (Grams Per Hour) 5.5

EFFICIENCY*



50% 60% 70% 80% 90% 100%

Wood heaters with higher efficiencies cost less to operate.

*(NOT TESTED FOR EFFICIENCY. THE VALUE INDICATED IS FOR SIMILAR CATALYST-EQUIPPED WOOD HEATERS.)

HEAT OUTPUT 11,000 to 48,100 Btu/Hr

Use this to choose the right size appliance for your needs.
ASK DEALER FOR HELP

This wood heater will achieve low smoke output and high efficiency only if properly operated and maintained. See owner's manual.