



Operator's Manual
 Manuel de l'utilisateur
 Manual del operador

HPS10 Pellet Stove

⚠ WARNING

PLEASE READ THIS ENTIRE MANUAL BEFORE INSTALLATION AND USE OF THIS PELLET FUEL-BURNING ROOM HEATER. FAILURE TO FOLLOW THESE INSTRUCTIONS COULD RESULT IN PROPERTY DAMAGE, BODILY INJURY OR EVEN DEATH.

⚠ AVERTISSEMENT

VEUILLEZ LIRE CE MANUEL EN ENTIER AVANT D'INSTALLER ET D'UTILISER CET APPAREIL DE CHAUFFAGE AUTONOME À GRANULES, AFIN D'ÉCARTER LES RISQUES DE DÉGÂTS MATÉRIELS, DE BLESSURES CORPORELLES, VOIRE DE MORT.

⚠ ADVERTENCIA

LEA COMPLETAMENTE ESTE MANUAL ANTES DE INSTALAR Y USAR EL CALEFACTOR DE HABITACIÓN DE COMBUSTIBLE A BASE DE PELLETS. SI NO SE SIGUEN LAS INSTRUCCIONES, SE PUEDEN PROVOCAR DAÑOS A LA PROPIEDAD, LESIONES CORPORALES E INCLUSO LA MUERTE.



⚠ CAUTION DO NOT DISCARD!

- IMPORTANT OPERATING AND MAINTENANCE INSTRUCTIONS INCLUDED.
- SAVE THESE INSTRUCTIONS AND LEAVE THIS MANUAL WITH ANY PARTY RESPONSIBLE FOR USE AND OPERATION.

⚠ ATTENTION NE PAS JETER!

- IMPORTANTES INSTRUCTIONS D'UTILISATION ET D'ENTRETIEN INCLUSES.
- CONSERVEZ CES INSTRUCTIONS ET LAISSEZ CE MANUEL À TOUTE PERSONNE RESPONSABLE DE L'UTILISATION ET DU FONCTIONNEMENT.

⚠ PRECAUCIÓN ¡NO DESECHAR!

- SE INCLUYEN IMPORTANTES INSTRUCCIONES DE OPERACIÓN Y MANTENIMIENTO.
- GUARDE ESTAS INSTRUCCIONES Y DEJE ESTE MANUAL CON QUIEN ESTÉ A CARGO DEL USO Y OPERACIÓN DE LA ESTUFA.

⚠ CAUTION

CONTACT LOCAL BUILDING OR FIRE OFFICIALS ABOUT RESTRICTIONS AND INSTALLATION INSPECTION REQUIREMENTS FOR YOUR AREA.

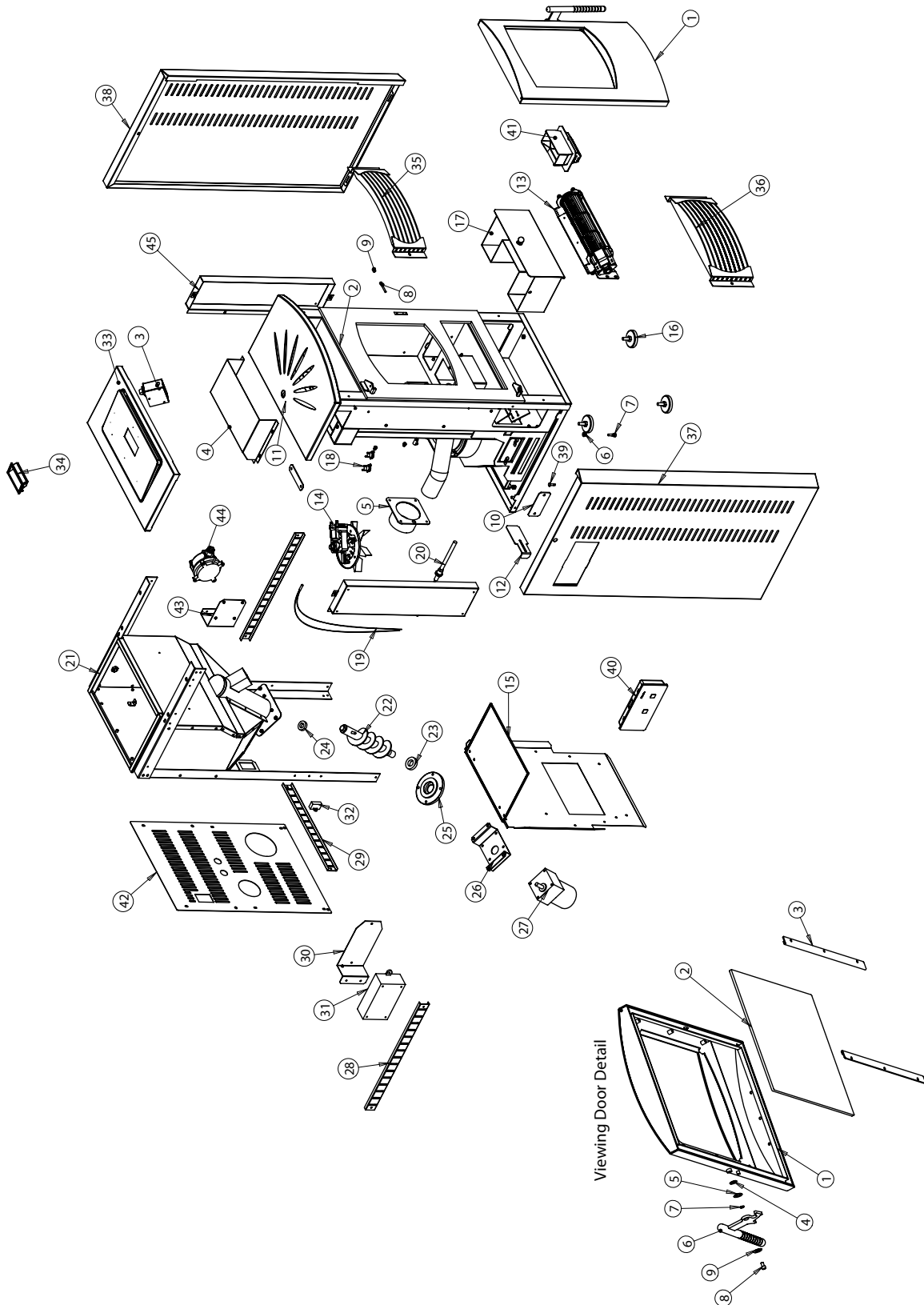
⚠ ATTENTION

CONSULTER LES SERVICES DU BÂTIMENT OU D'INCENDIE LOCAUX CONCERNANT LES RESTRICTIONS ET LES EXIGENCES D'INSPECTION D'INSTALLATION EN VIGUEUR.

⚠ PRECAUCIÓN

COMUNÍQUESE CON FUNCIONARIOS DEL DEPARTAMENTO DE BOMBEROS O CONSTRUCCIÓN PARA CONOCER LAS RESTRICCIONES Y LOS REQUISITOS DE INSPECCIÓN DE INSTALACIÓN EN SU ÁREA.

OMHPS10
 Revised 04-18-11
 © 2011 Ardisam, Inc.
 All Rights Reserved.



KEY #	PART #	DESCRIPTION	QTY.
1	720204	ASSEMBLY FRONT DOOR	1
2*	720205	WELD ASSEMBLY FIRE BOX	1
3	720105	SWITCH HOPPER LID	1
4*	720206	TOP CONVECTION AIR DEFLECTOR	1
5*	720207	WELD ASSEMBLY, VENT PIPE OUTLET	1
6*	720208	HINGE COVER	1
7*	720209	HINGE PIN	1
8	720210	DOOR LOCK BOLT	1
9	720285	DOOR LOCK SHAFT SLEEVE	1
10*	720212	COVER PLATE EXHAUST CLEANING HOLE	1
11	720213	TOP PLATE	1
12*	720214	AIR DAMPER SLIDING DOOR	1
13	720104	BLOWER CONVECTION	1
14	720110	EXHAUST BLOWER	1
15*	720215	ASSEMBLY THERMAL BAFFLE	1
16	720216	ADJUSTABLE FOOT	4
17	720217	ASH PAN ASSEMBLY	1
18	720103	SWITCH SNAP DISC 54 DEGREE CELSIUS	2
19	720106	RDT OVERTEMP SENSOR 92 DEGREE CELSIUS	1
20	720102	IGNITER	1
21*	720218	HOPPER FRAME	1
22	720219	WELD ASSEMBLY AUGER	1
23	720220	AUGER BEARING LOWER	1
24	720221	AUGER BEARING UPPER	1
25	720222	LOWER COVER PLATE AUGER	1
26*	720223	AUGER MOTOR MOUNT PLATE	1
27	720107	GEAR MOTOR	1
28*	720224	WIRE CHANNEL LEFT AND RIGHT	2
29*	720225	WIRE CHANNEL BACK	1
30	720226	BRACKET INNERFACE MODULE	1
31	720283	INNERFACE MODULE	1
32	720227	INCOMING POWER SWITCH	1
33	720228	HOPPER COVER AND TOP ASSEMBLY	1

KEY #	PART #	DESCRIPTION	QTY.
34	720229	HOPPER COVER HANDLE	1
35*	720230	LOUVER, AIR OUTLET	1
36*	720231	LOUVER, AIR INLET	1
37	720232	SIDE PANEL LEFT	1
38	720233	SIDE PANEL RIGHT	1
39	720234	FIXED PIN TOP HINGE	1
40	720284	CONTROL BOARD	1
41	720235	FIREPOT	1
42	720236	BACK PANEL	1
43*	720237	BRACKET VACUUM SWITCH	1
44	720238	VACUUM SWITCH	1
45*	720239	THERMAL SHIELD	2

*** Not a serviceable part. Special order only.**

Viewing Door Components

KEY #	PART #	DESCRIPTION	QTY.
1	720241	DOOR ASSEMBLY	1
2	720242	DOOR GLASS	1
3	720243	DOOR GLASS RETAINER	1
4	720244	INBOARD WAVE WASHER	1
5	720245	OUTBOARD RETAINER WASHER	1
6	720246	DOOR HANDLE	1
7	720247	OUTBOARD SPACER SLEEVE	1
8	720248	DOOR HANDLE RETAINER BOLT	1
9	720211	DOOR LOCK SHAFT SLEEVE	1

PARTS AVAILABLE, BUT NOT SHOWN

PART #	DESCRIPTION	QTY.
720286	PROGRAM I/C HPS10	1
720287	COMMUNICATION CABLE	1
720288	AUGER CAPACITOR HPS10	1
720289	WIRE HARNESS HPS10	1
720290	TOP-BACK VERMICULITE BOARD	1
720291	BOTTOM-BACK VERMICULITE BOARD	1
720292	SIDE VERMICULITE BOARD	1
720114	FUSE	1