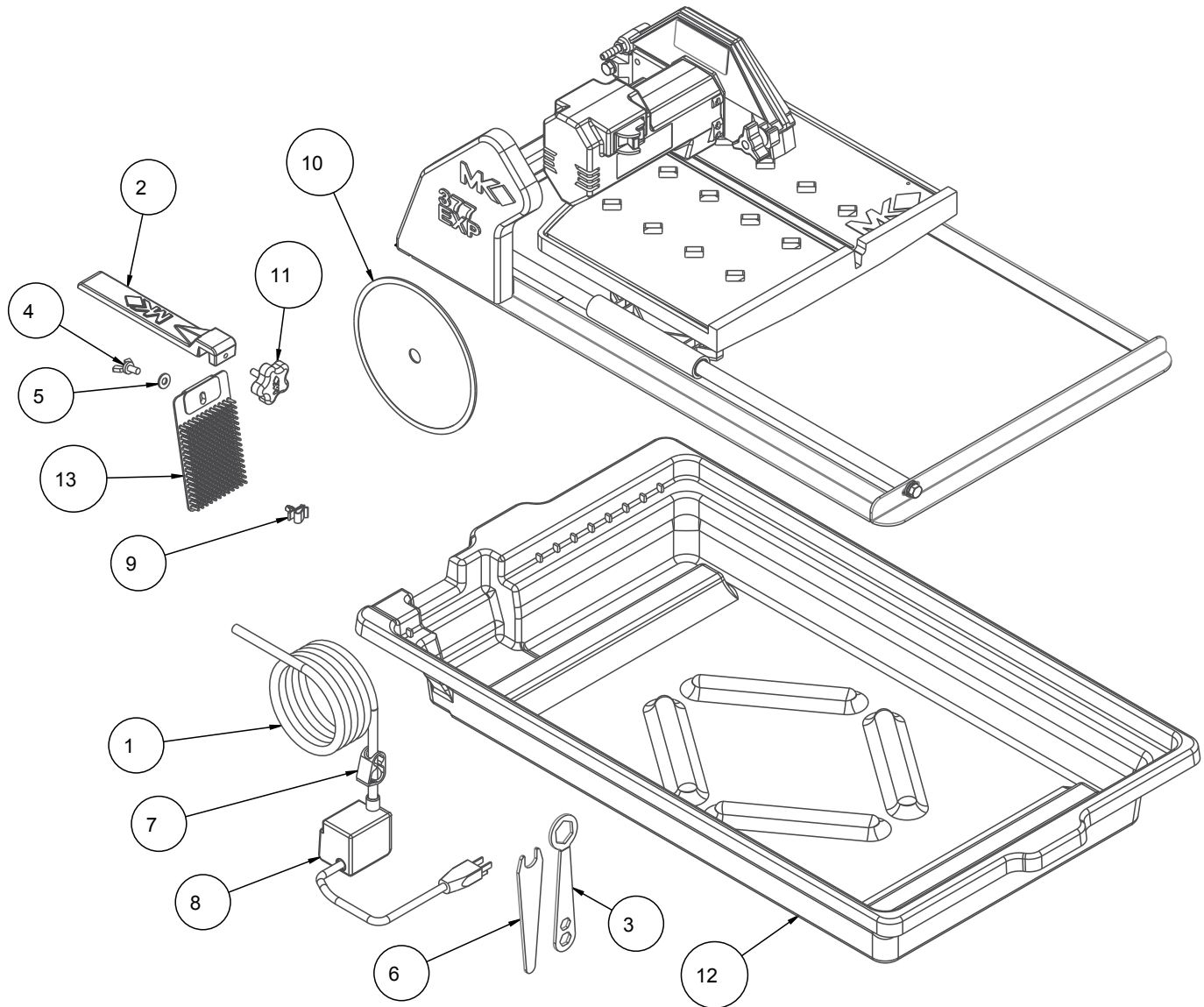


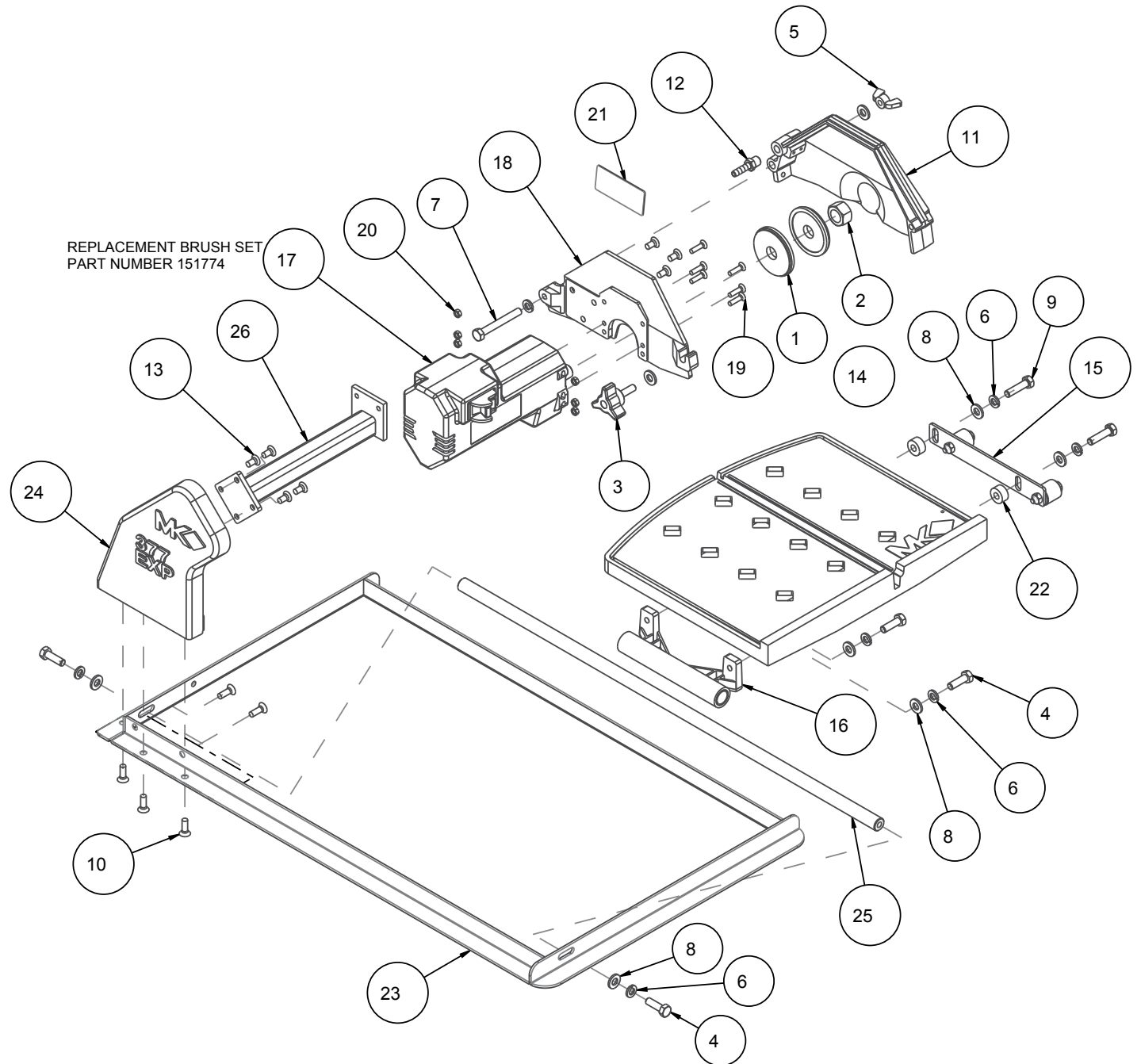
MK-377EXP SAW P/N 160028



MK-377EXP SAW P/N 160028

| Item | Description | Part # | Qty |
|------|----------------------------------|-----------|-----|
| 1 | HOSE, VINYL, 1/4X3/8 (6.0') | 132951 | 1 |
| 2 | CASTING, ACC RIP GUIDE-COMP | 134551 | 1 |
| 3 | WRENCH, TILE SAW NUT 15/16 | 134684 | 1 |
| 4 | SCREW, WING, 1/4-20X1/2 | 151888 | 1 |
| 5 | WASHER, FLAT, SAE, 1/4 | 151915 | 1 |
| 6 | WRENCH, TILES AW, 11/16 OPEN END | 153450 | 1 |
| 7 | CLAMP, HOSE, 1/4-1/2 FLOW | 154394 | 1 |
| 8 | PUMP, WATER, 115V 60HZ | 155987-VP | 1 |
| 9 | CLIP, CORD 1/4" PUSH MOUNT | 157259 | 1 |
| 10 | MK-HDTCM WET 7X060X7/8 | 157913 | 1 |
| 11 | KNOB, RUBBER, 1/4-20 X 3/4" LONG | 159428-1 | 1 |
| 12 | PAN, WATER MK-370EXP/1080 | 160041 | 1 |
| 13 | GUARD, SPLASH | 160310 | 1 |

MK-377EXP SAW P/N 160028



MK-377EXP SAW P/N 160028

| Item | Description | Part # | Qty |
|------|-------------------------------------|-----------|-----|
| 1 | FLANGE, OUTER, 2-3/8 | 135830 | 2 |
| 2 | NUT, HEX, 5/8-18 | 135848 | 1 |
| 3 | KNOB, DAVIES, 5/16-18 X 1 | 151681 | 1 |
| 4 | SCREW, HEX HD, 5/16-18 X 1 | 151743 | 4 |
| 5 | NUT, WING, NYLK, 5/16-18 | 151746 | 1 |
| 6 | WASHER, LOCK, SPLIT, 5/16 | 151747 | 7 |
| 7 | SCREW, HEX HD, TAP, 5/16-18X2-1/2 | 151748 | 1 |
| 8 | WASHER, FLAT, SAE, 5/16 | 151754 | 8 |
| 9 | SCREW, HEX HD, 5/16-18 X 1-1/4 | 153950 | 2 |
| 10 | SCREW, FLAT HD, 1/4-20X3/4 | 154657 | 5 |
| 11 | CASTING, BLD GRD, 7", COMP | 154811 | 1 |
| 12 | FITTING, 1/8 MNPT X 1/4 BARB | 155809 | 1 |
| 13 | SCREW, FLAT HEAD, 1/4-20 X 1/2 PHIL | 155812 | 7 |
| 14 | TABLE, COMPOSITE, 377EXP | 156536 | 1 |
| 15 | ASSEMBLY, ROLLER WHEEL | 156586 | 1 |
| 16 | BEARING, LINEAR, 5/8 X 6, NYLON | 157126 | 1 |
| 17 | MTR, 5.0 AMP 115V 50/60HZ | 157226-G | 1 |
| 18 | CASTING, 170, MOTOR MOUNT, COMP | 157403 | 1 |
| 19 | SCREW, FLAT HD, M5-.8X16MM | 157404 | 6 |
| 20 | NUT, HEX, M5-.8 | 157405 | 6 |
| 21 | TAG, SERIAL NUMBER, BLANK | 157500-RW | 1 |
| 22 | SPACER, 5/16 X 3/4 X3/8 | 166782 | 2 |
| 23 | WELDMENT, FRAME | 167449 | 1 |
| 24 | CASTING, POST, COMP | 172785 | 1 |
| 25 | BAR, GUIDEØ 5/8 X 26.44L | 172786 | 1 |
| 26 | ARM, CUTTING HEAD, 377EXP | 172787 | 1 |

| ITEM | NUMBER | DESCRIPTION | |
|------|-----------|--|---|
| 1. | 139295 | MK-200, 7" x 5/8 Arbor Premium grade Diamond Blade for smooth, chip-free cutting on tile |  |
| 2. | 139311 | MK-215, 7" x 5/8 Arbor Supreme grade diamond blade for hard materials |  |
| 3. | 153293 | MK-315, 7" x 5/8 Arbor Supreme super hi-rim diamond blade |  |
| 4. | 134577-MK | Dual 45° Flat Angle Guide |  |
| 5. | 134551-MK | Rip Guide |  |
| 5. | 134569-MK | 90° Protractor |  |
| 6. | 152792 | Dressing Stone |  |
| 7. | 152610 | Ground Fault Circuit Interrupter |  |
| 8. | 160131 | Stand for 7" Tile Saw |  |